



US00D983753S

(12) **United States Design Patent** (10) **Patent No.:** **US D983,753 S**
Thorne (45) **Date of Patent:** **** Apr. 18, 2023**

(54) **ELECTRICAL CONNECTOR**
(71) Applicant: **SimpliSafe, Inc.**, Boston, MA (US)
(72) Inventor: **Scott Joseph Thorne**, Allston, MA (US)
(73) Assignee: **SimpliSafe, Inc.**, Boston, MA (US)
(**) Term: **15 Years**
(21) Appl. No.: **29/786,930**
(22) Filed: **Jun. 3, 2021**
(51) **LOC (14) Cl.** **13-03**
(52) **U.S. Cl.**
USPC **D13/133**
(58) **Field of Classification Search**
USPC ... D13/133, 101, 123, 146, 147, 153, 137.1, D13/149, 139.8; D14/433, 435.1
CPC G02B 6/38; G02B 6/38875; G02B 6/4284; H01R 13/40; H01R 13/58; H01R 13/627; H01R 13/66; H01R 13/6335; H01R 13/6272; H01R 13/6397; H01R 13/639; H01R 13/6275; H01R 31/06; H01R 24/00; H01R 24/64; H01R 43/26
See application file for complete search history.

D817,278 S * 5/2018 Tyler D13/119
D867,993 S * 11/2019 DeKeuster D13/119
D896,759 S * 9/2020 Yasuda D13/133
D928,711 S * 8/2021 Kunzendorf D13/133
D951,866 S * 5/2022 Elison D13/133
D964,936 S * 9/2022 Zhong D13/133
D964,990 S * 9/2022 Kim D14/433

OTHER PUBLICATIONS

BolAAzuL Right Angle Displayport, available in Amazon.com, date first available Aug. 4, 2020 [online], [site visited Jan. 3, 2022], Available from the internet URL: <https://www.amazon.co.uk/Displayport-Downward-BolAAzuL-90-degree-Supported-Model/dp/B08F79JF87?th=1> (Year: 2020).*

(Continued)

Primary Examiner — S. Bryan Reinholdt, Jr.
Assistant Examiner — Leah E. Hoferkamp
(74) *Attorney, Agent, or Firm* — Wolf, Greenfield & Sacks, P.C.

(57) **CLAIM**

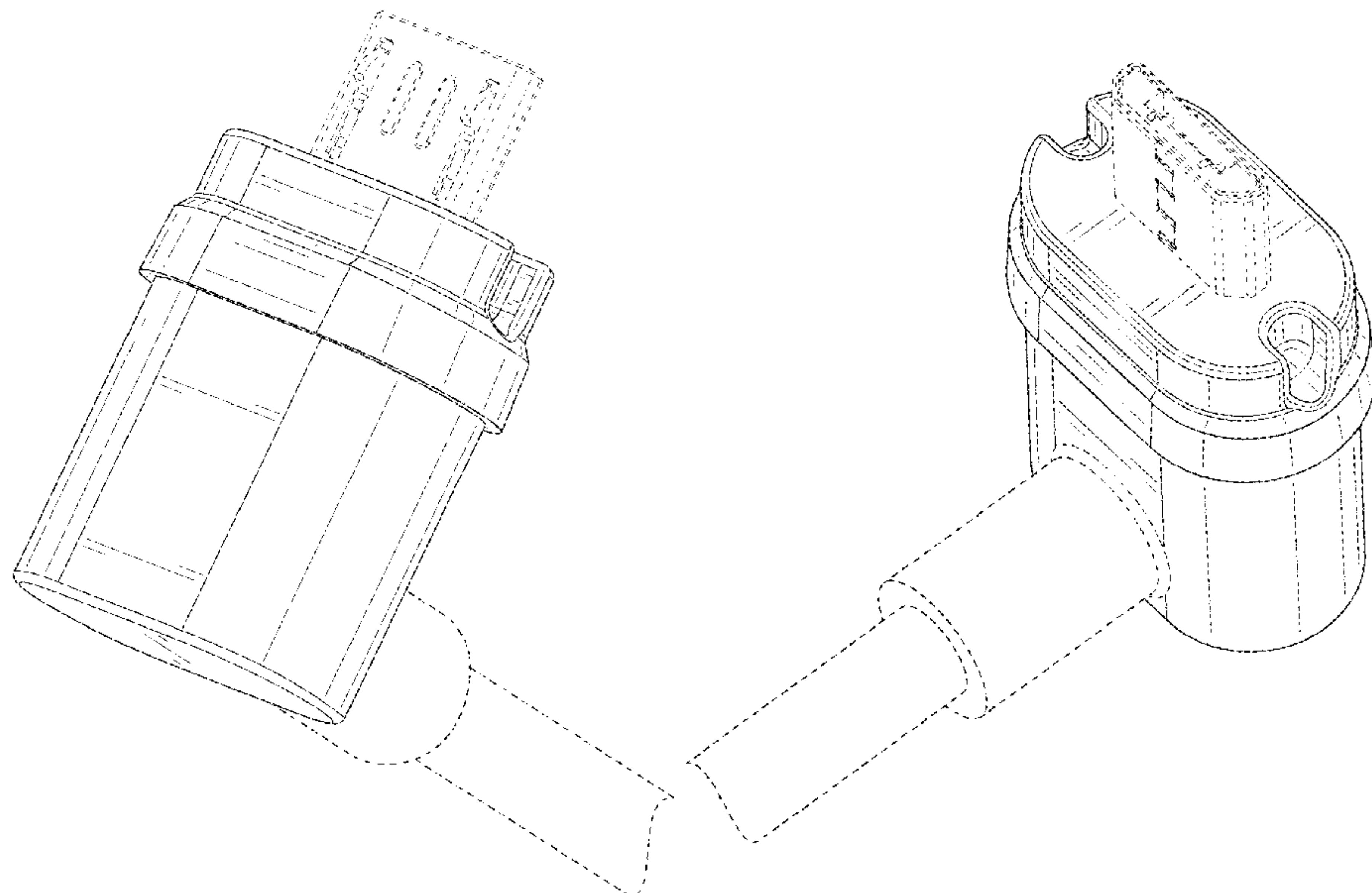
The ornamental design for an electrical connector, as shown and described.

DESCRIPTION

FIG. 1 is a bottom, front, right perspective view of the electrical connector;
FIG. 2 is a top, rear, left perspective view thereof;
FIG. 3 is a front view thereof;
FIG. 4 is a rear view thereof;
FIG. 5 is a left side view thereof;
FIG. 6 is a right side view thereof;
FIG. 7 is a top view thereof; and,
FIG. 8 is a bottom view thereof.
Features shown in dashed line form no part of the claimed design.

1 Claim, 7 Drawing Sheets

(56) **References Cited**
U.S. PATENT DOCUMENTS
6,383,003 B1 * 5/2002 Corona H01R 13/5219 439/588
D521,933 S * 5/2006 Wade D13/147
D616,821 S * 6/2010 The D13/133
D678,202 S * 3/2013 Corona D13/133
D678,203 S * 3/2013 Corona D13/133
D678,204 S * 3/2013 Corona D13/133
D692,382 S * 10/2013 Liu D13/133
D712,836 S * 9/2014 Lee D13/133
D729,169 S * 5/2015 Corona D13/146
D765,030 S * 8/2016 Tyler D13/119



(56)

References Cited

OTHER PUBLICATIONS

CY DisplayPort Display Port 90 Degree, available in Amazon.com, date first available Jul. 28, 2018 [online], [site visited Jan. 3, 2022], Available from the internet URL: <https://www.amazon.de/-/en/DisplayPort-Display-Degree-Angled-Extension/dp/B07FTD9GR6?th=1> (Year: 2018).*

Right Angle Displayport 1.4 Cable, available in Amazon.com, date first available Aug. 4, 2020 [online], [site visited Jan. 3, 2022], Available from the internet URL: <https://www.amazon.co.uk/Displayport-Downward-BolAAzuL-90-degree-Supported-Model-D/dp/B08F6ZBL95?th=1> (Year: 2020).*

Poyiccot Displayport to Displayport Cable, available in Amazon.com, date first available Mar. 21, 2021 [online], [site visited Jan. 3, 2022], Available from the internet URL: <https://www.amazon.sa/-/en/Poyiccot-Displayport-Degree-Extension-Adapter/dp/B07CMR3984> (Year: 2021).*

* cited by examiner

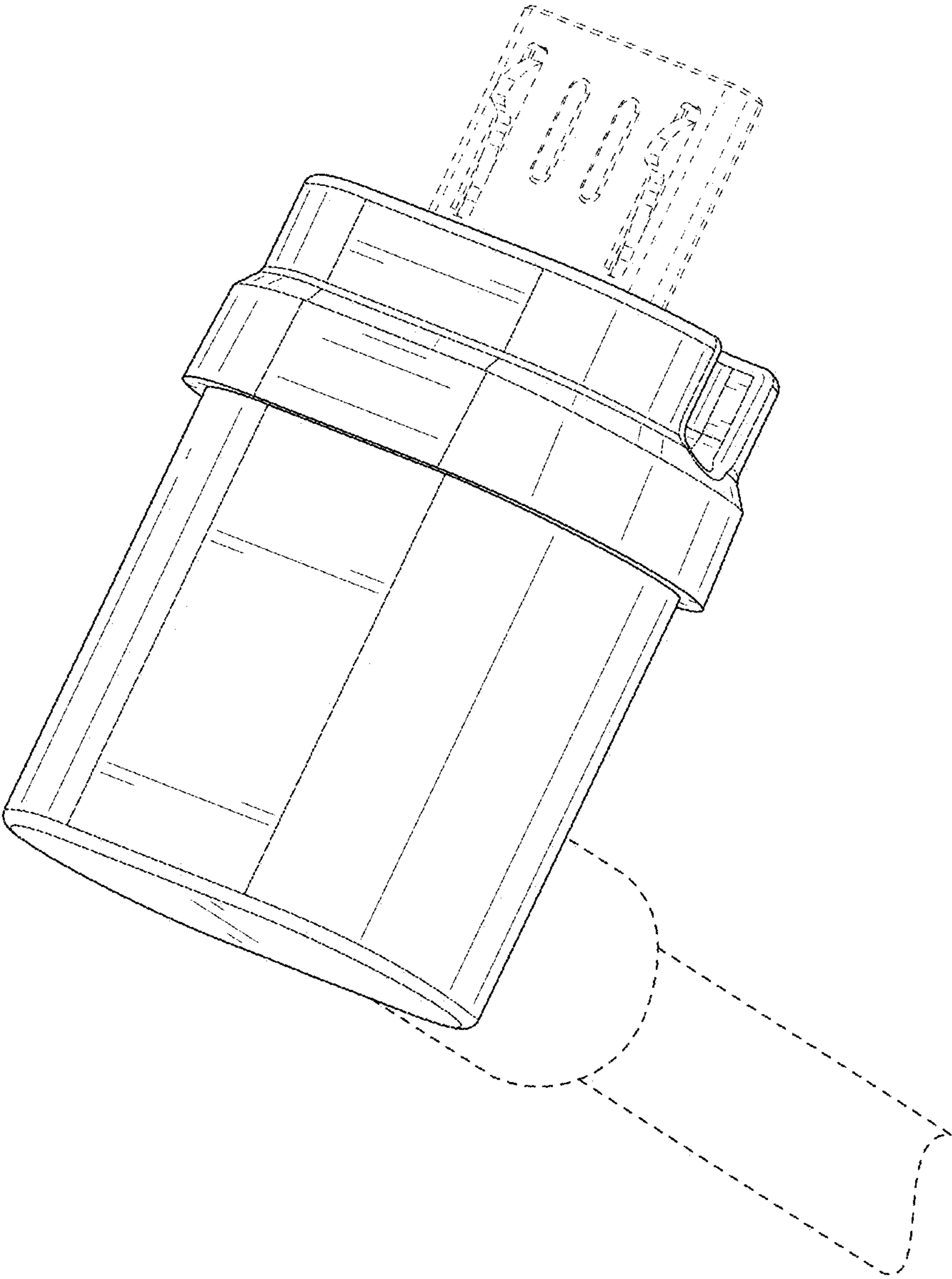


FIG. 1

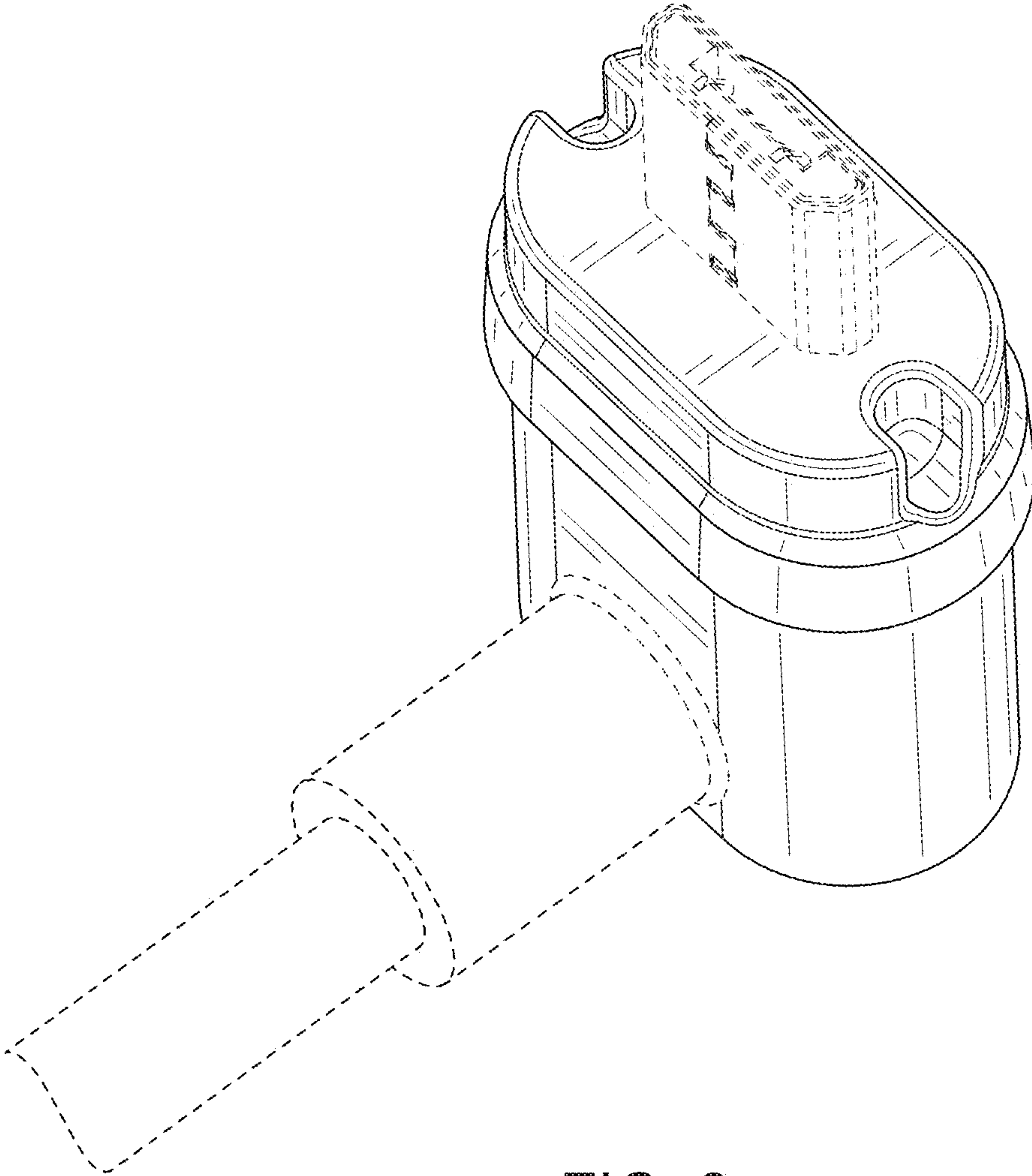


FIG. 2

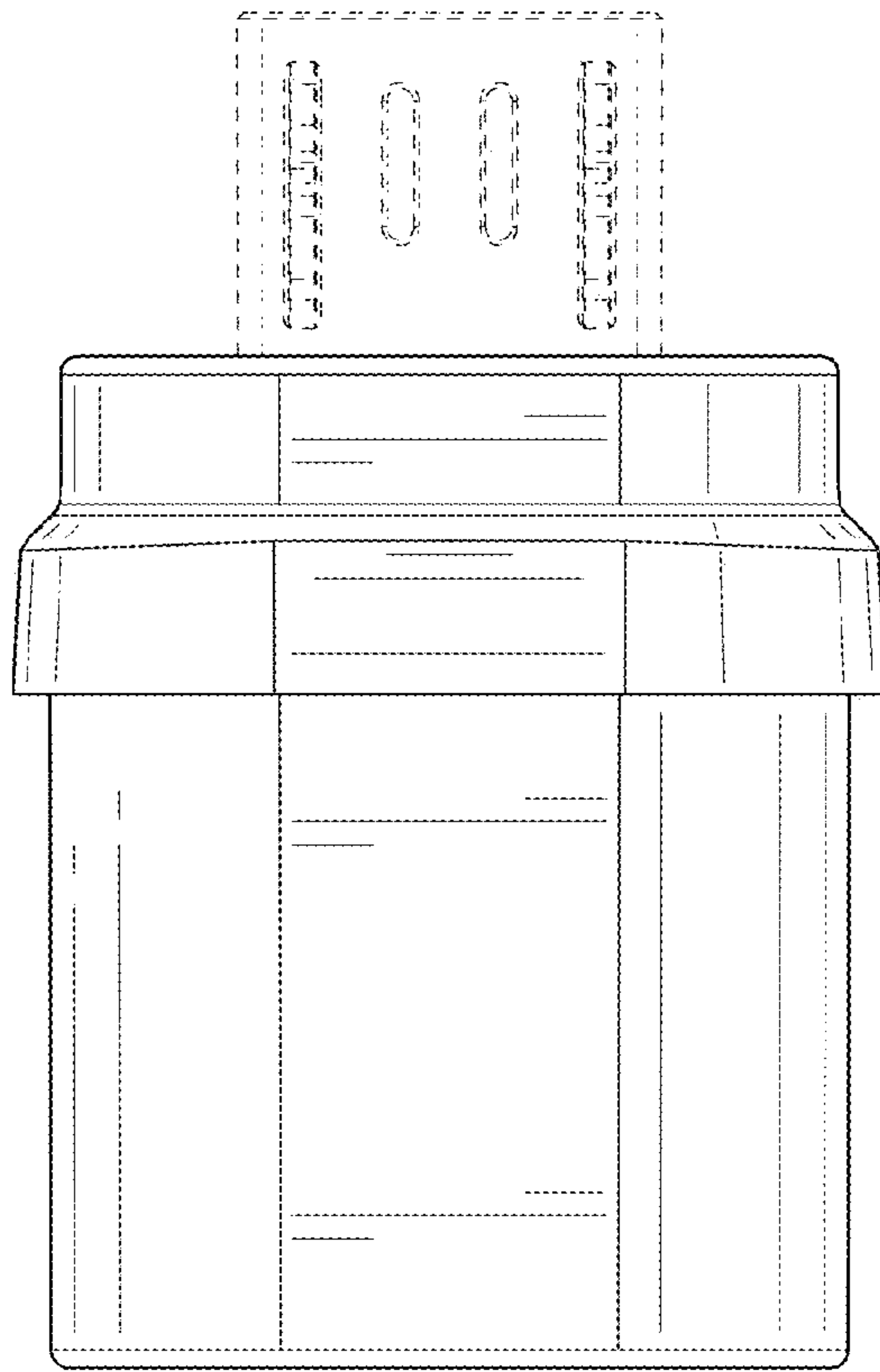


FIG. 3

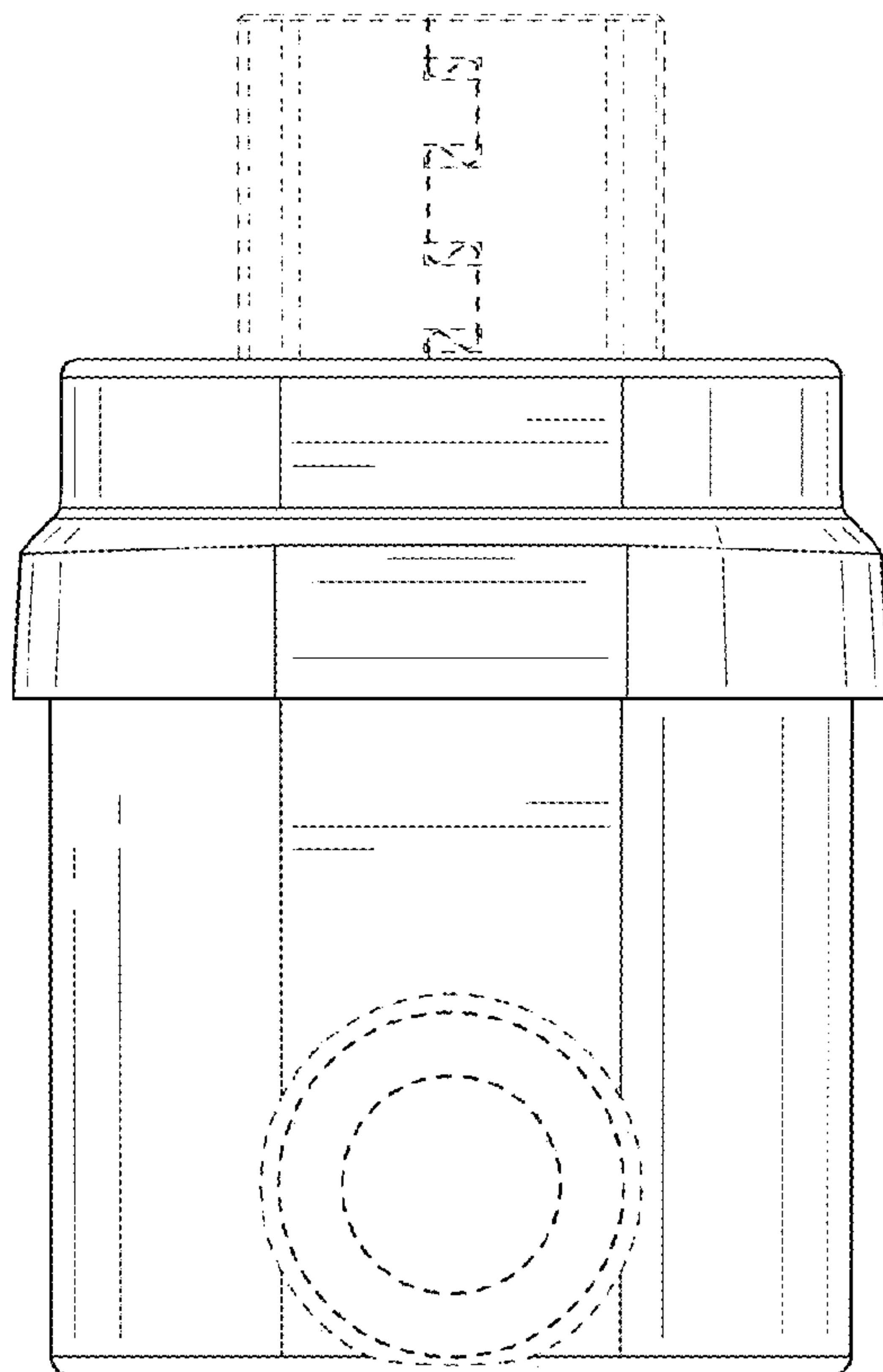


FIG. 4

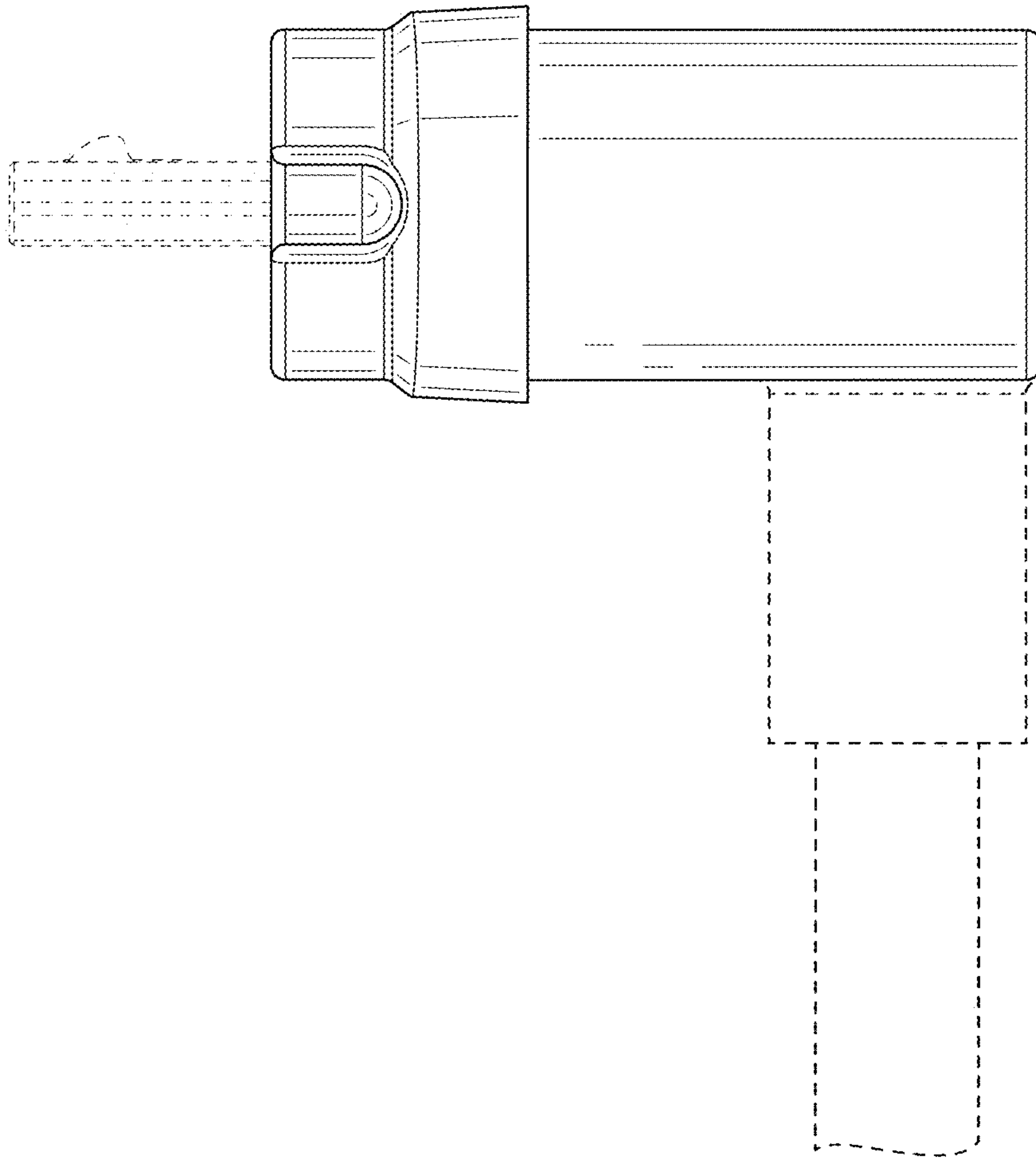


FIG. 5

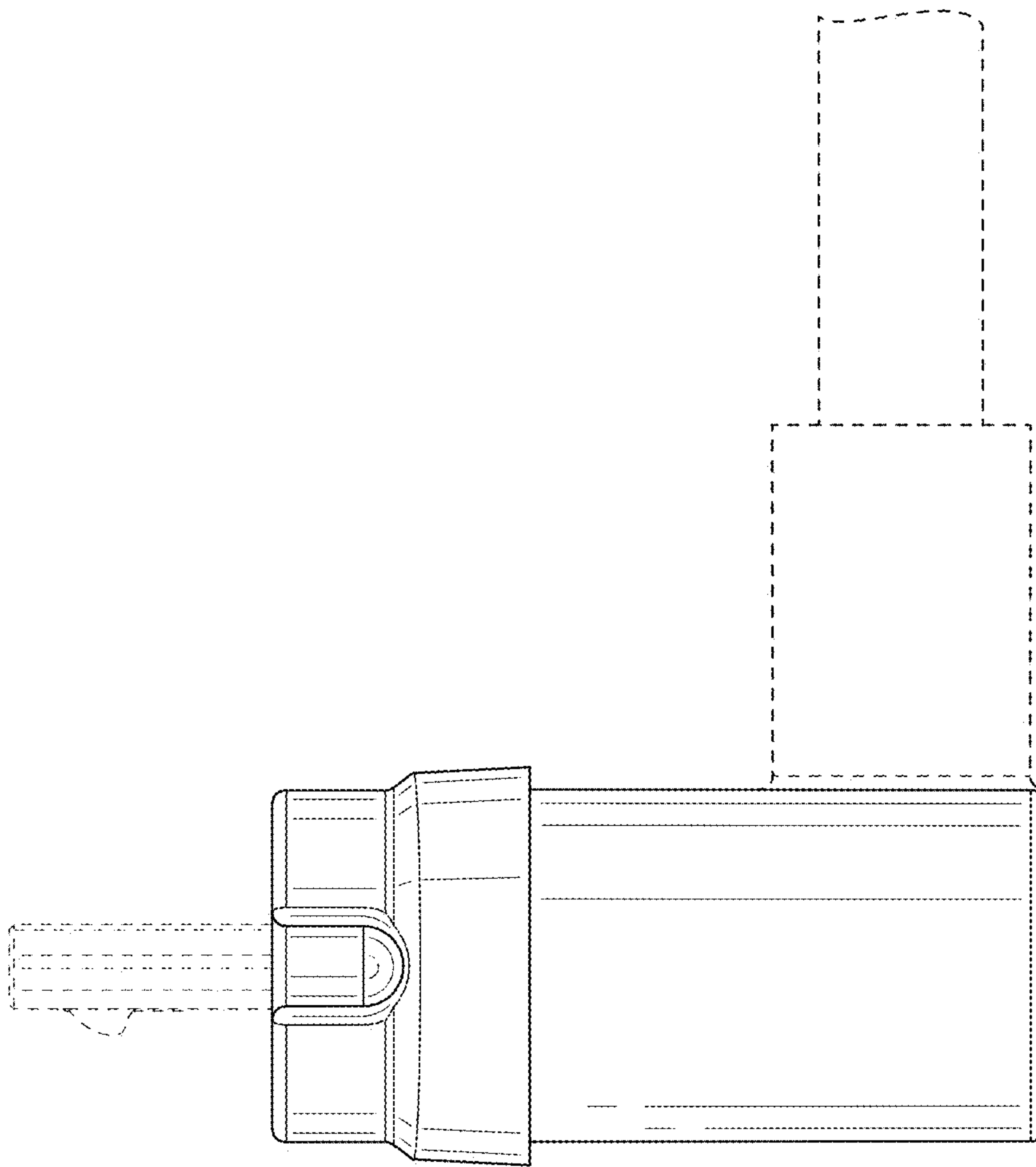


FIG. 6

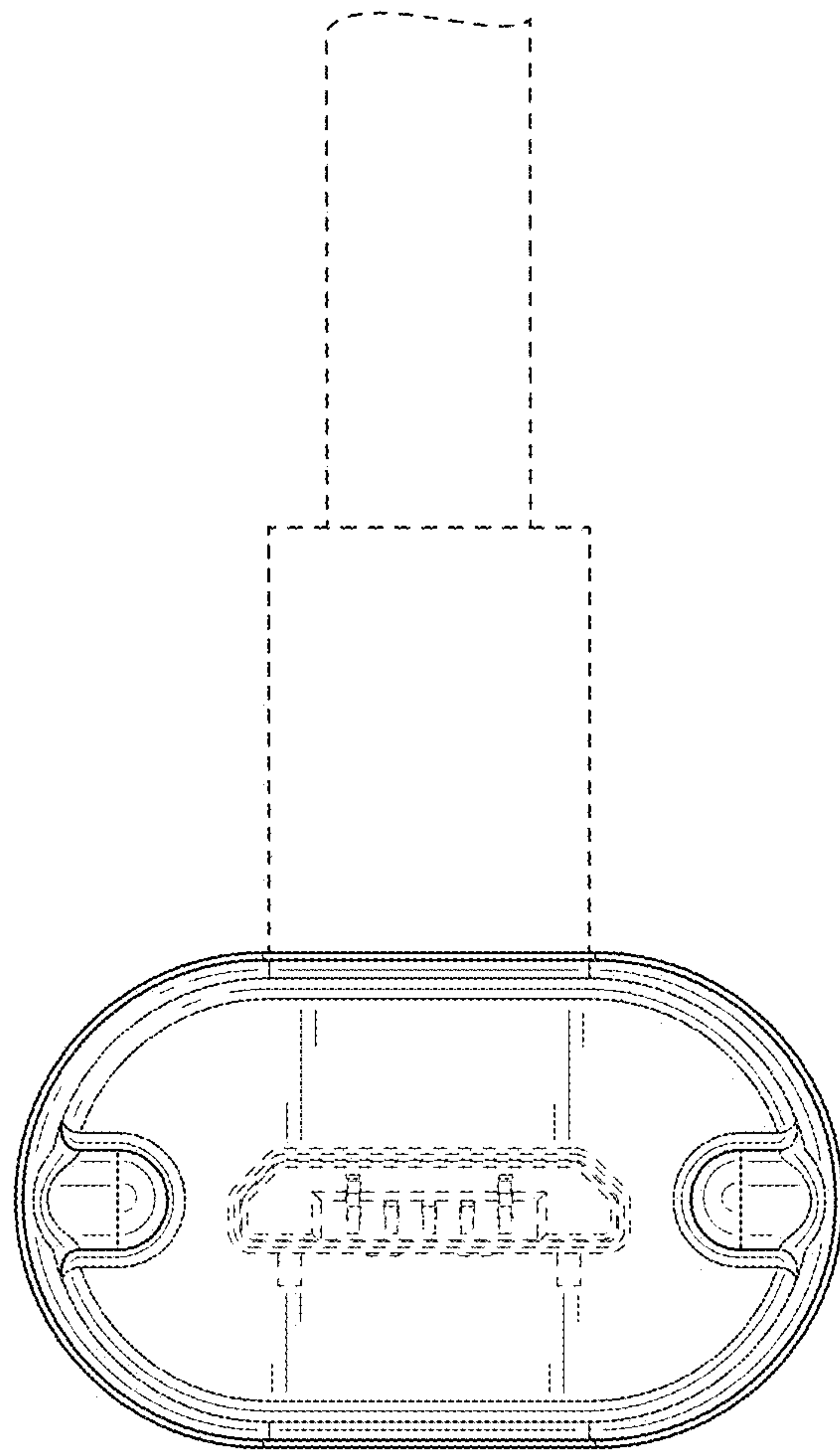


FIG. 7

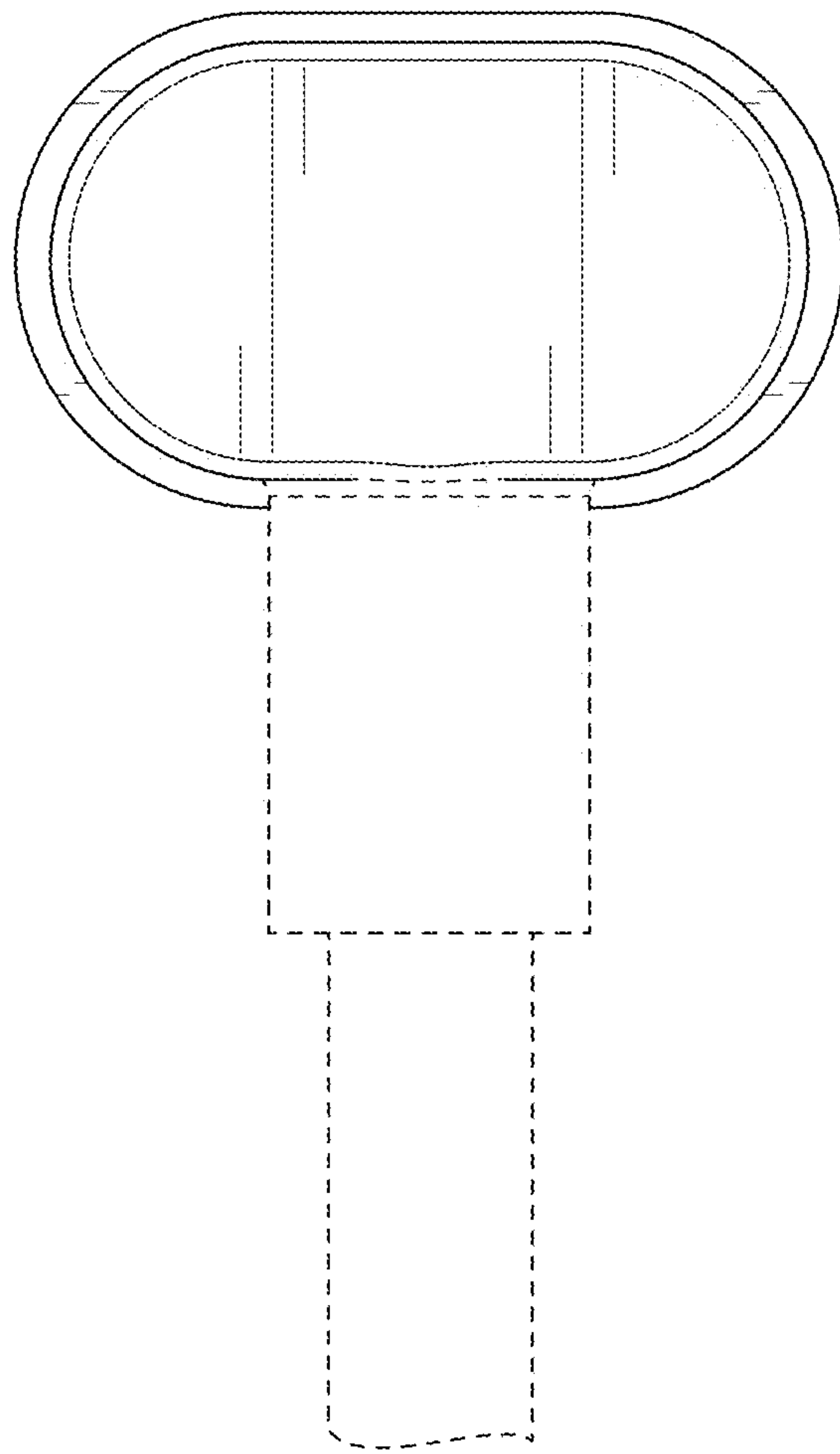


FIG. 8