



US00D983752S

(12) **United States Design Patent**
Koguchi

(10) **Patent No.:** **US D983,752 S**

(45) **Date of Patent:** **** Apr. 18, 2023**

(54) **CONNECTOR**

(71) Applicant: **Japan Aviation Electronics Industry, Limited**, Tokyo (JP)

(72) Inventor: **Mitsuo Koguchi**, Tokyo (JP)

(73) Assignee: **JAPAN AVIATION ELECTRONICS INDUSTRY, LIMITED**, Tokyo (JP)

(**) Term: **15 Years**

(21) Appl. No.: **29/747,333**

(22) Filed: **Aug. 21, 2020**

(30) **Foreign Application Priority Data**

Mar. 4, 2020 (JP) 2020-004245 D

(51) **LOC (14) Cl.** **13-03**

(52) **U.S. Cl.**
USPC **D13/133; D13/147**

(58) **Field of Classification Search**
USPC D13/119–120, 133–134, 146–147, 154,
D13/182, 199; D14/433
CPC ... B60L 53/16; H01R 13/506; H01R 13/5205;
H01R 13/5219; H01R 13/5221
See application file for complete search history.

(56) **References Cited**

U.S. PATENT DOCUMENTS

- 5,240,431 A * 8/1993 Yagi H01R 13/506
439/271
- D503,150 S * 3/2005 Yamawaki D13/147
- 7,044,762 B1 * 5/2006 Hong H01R 13/5219
439/283
- D549,649 S * 8/2007 Ciancanelli D13/136
- 8,221,165 B2 * 7/2012 DeWitte B60L 53/16
439/620.26
- 9,806,454 B2 * 10/2017 Nakai H01R 13/5205
- D835,044 S * 12/2018 Ramanna D13/146

- D870,673 S * 12/2019 Obata D13/147
- D906,976 S * 1/2021 Somanathapura Ramanna
D13/133
- D906,977 S * 1/2021 Somanathapura Ramanna
D13/133
- D913,235 S * 3/2021 DeKeuster D13/119
- D920,251 S * 5/2021 Elison D13/133
- 2012/0149226 A1 * 6/2012 Ishibashi H01R 13/5221
439/271

* cited by examiner

Primary Examiner — Shawn T Gingrich

Assistant Examiner — Bryan N. Melvin

(74) *Attorney, Agent, or Firm* — Manabu Kanesaka

(57) **CLAIM**

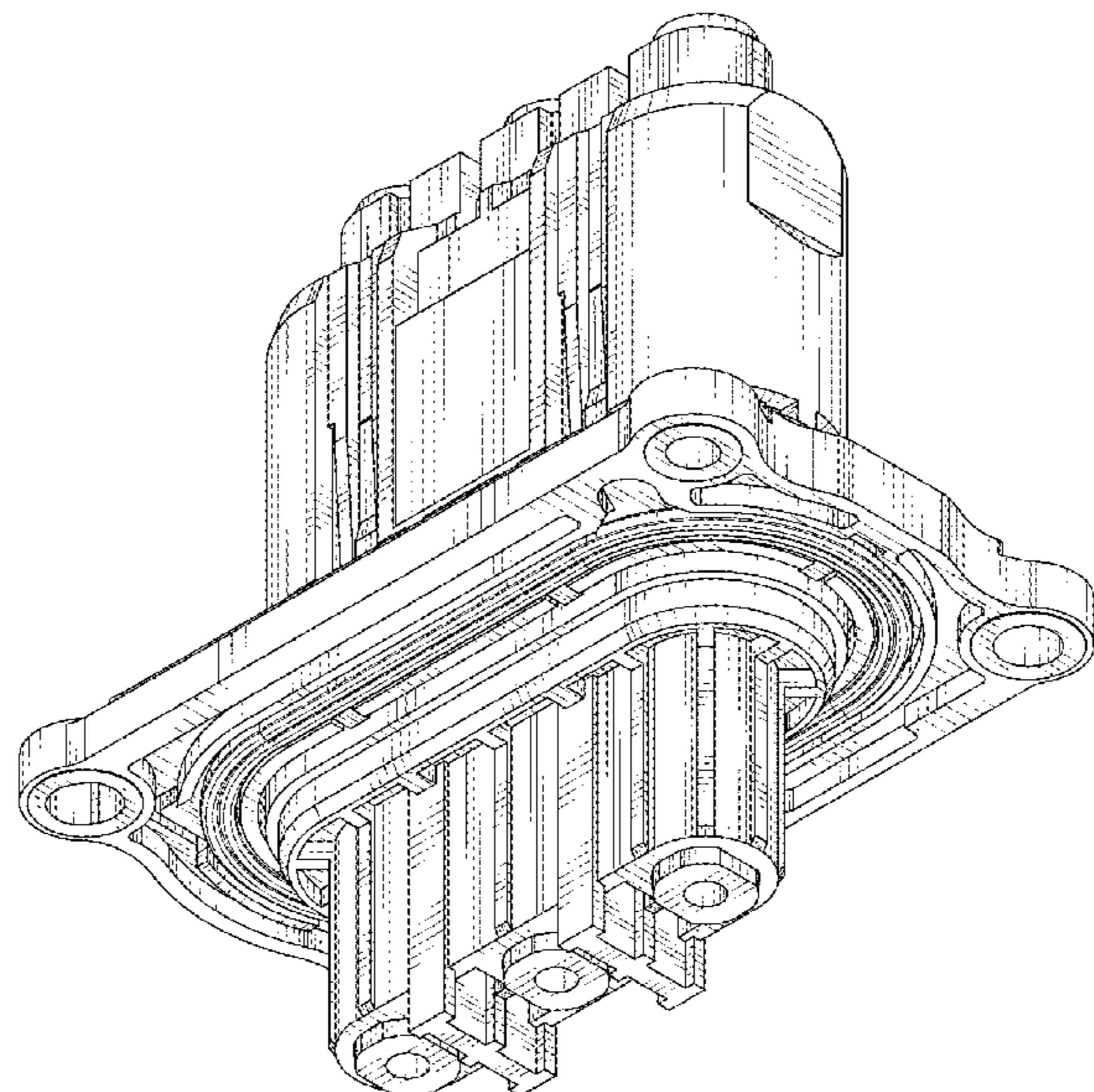
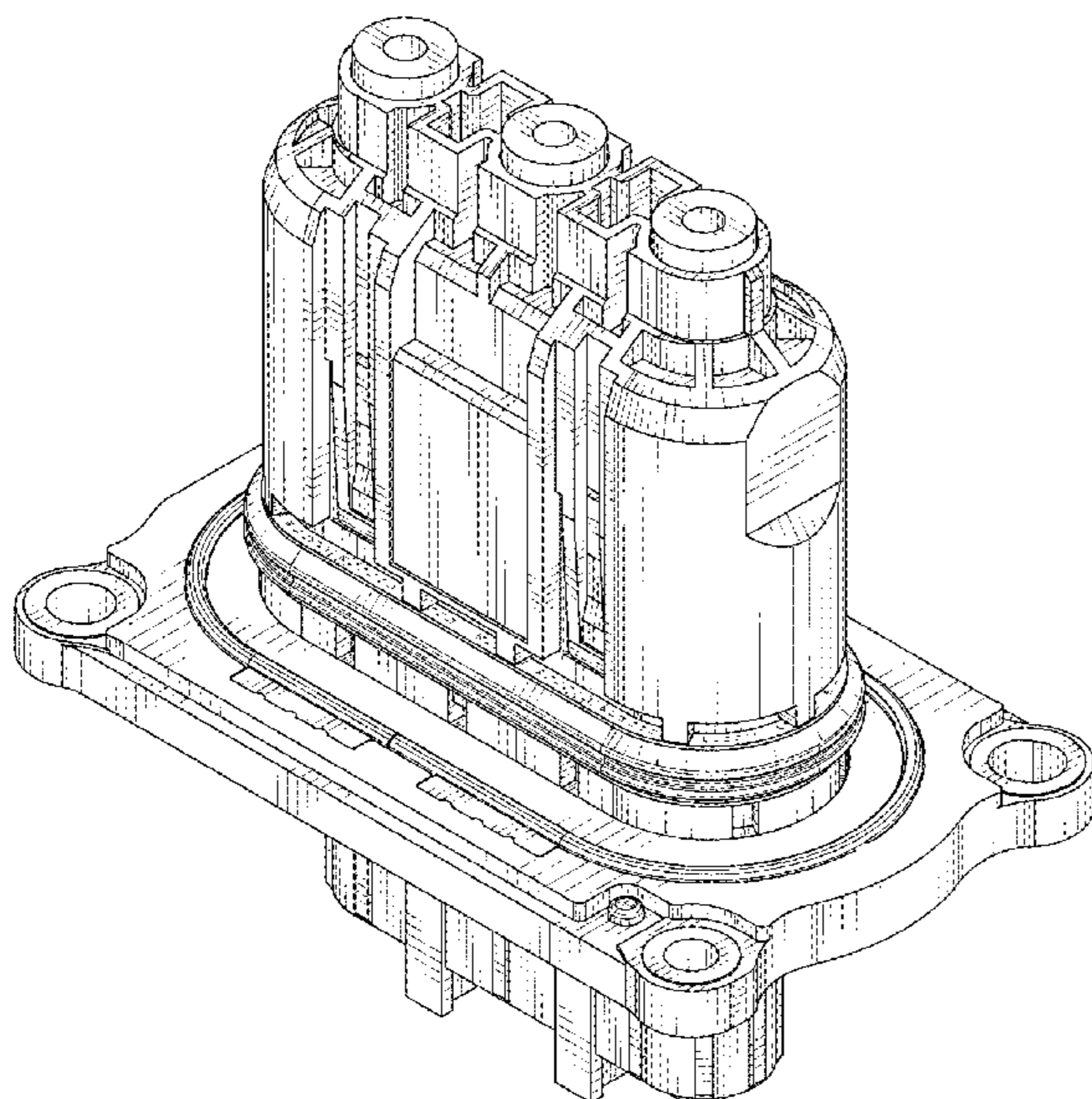
The ornamental design for a connector, as shown and described.

DESCRIPTION

FIG. 1 is a front elevational view of a connector showing my new design;
 FIG. 2 is a rear elevational view thereof;
 FIG. 3 is a right side elevational view thereof;
 FIG. 4 is a left side elevational view thereof;
 FIG. 5 is a top plan view thereof;
 FIG. 6 is a bottom plan view thereof;
 FIG. 7 is a perspective view showing a front, top and right side thereof;
 FIG. 8 is a perspective view showing a rear, bottom and left side thereof;
 FIG. 9 is a perspective view showing a front, right and bottom side thereof; and,
 FIG. 10 is a perspective view showing a rear, left and top side thereof.

The broken line showing of the connector is for the purpose of illustrating portions of the article and forms no part of the claimed design.

1 Claim, 5 Drawing Sheets



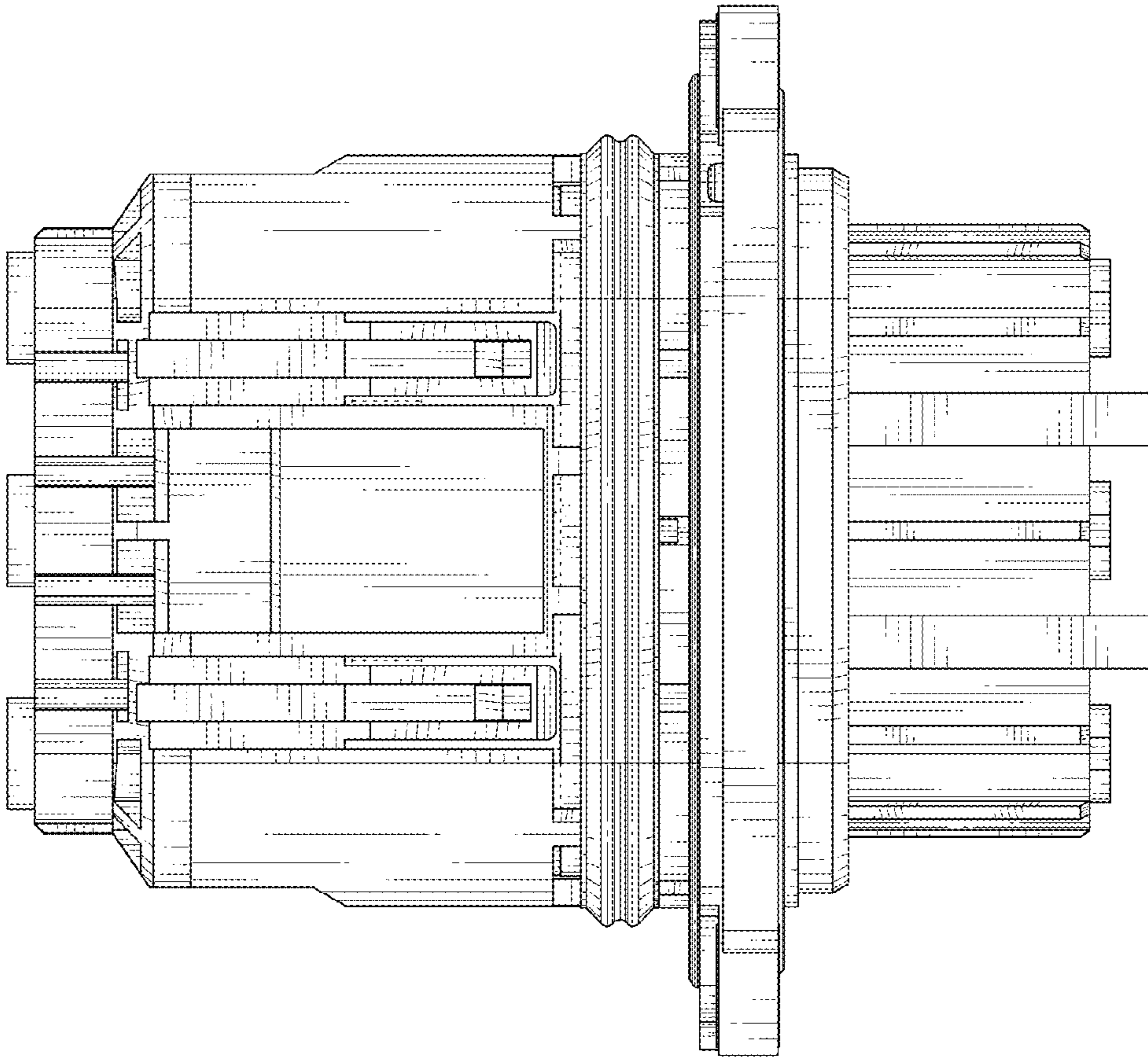


FIG. 2

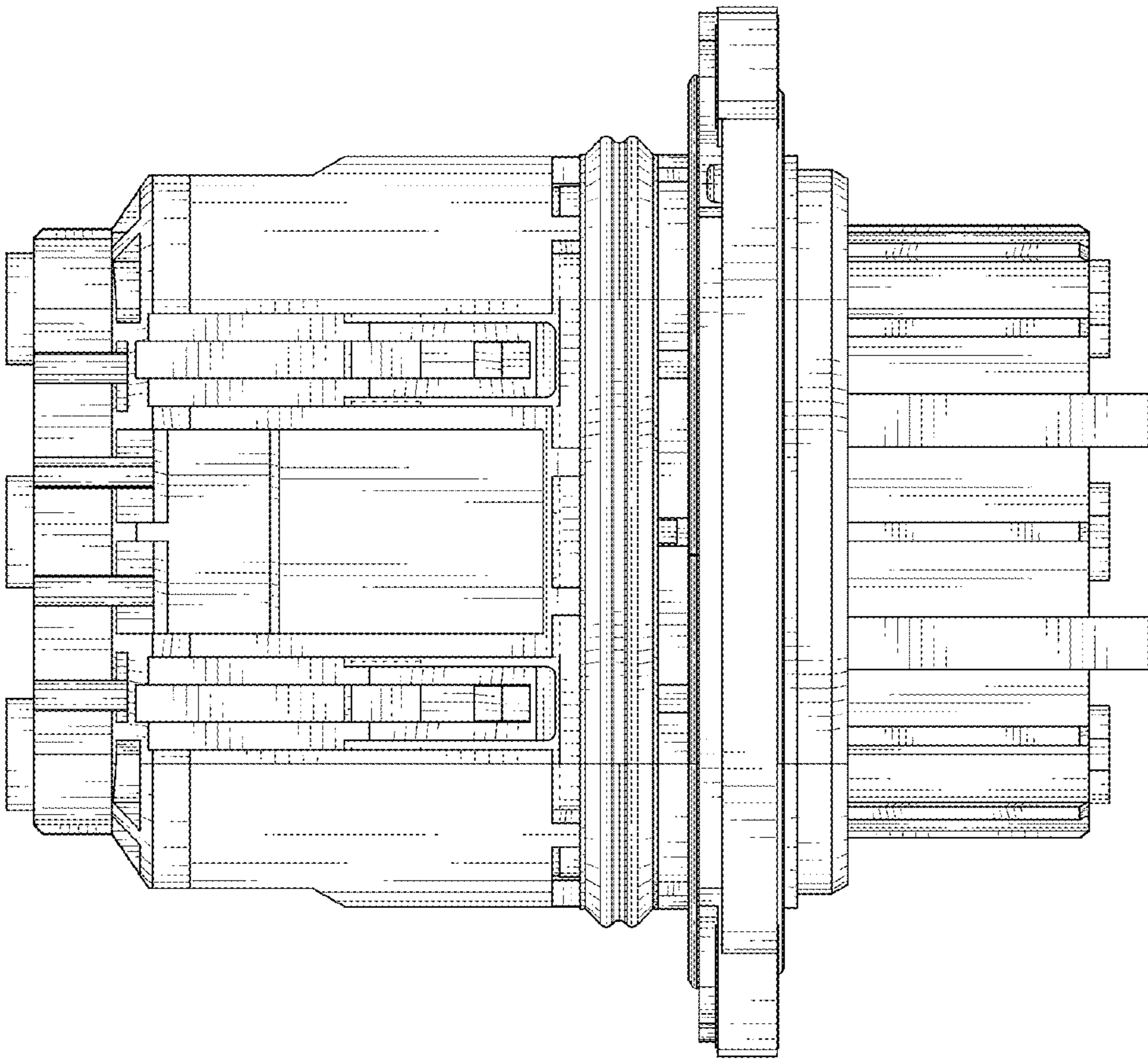


FIG. 1

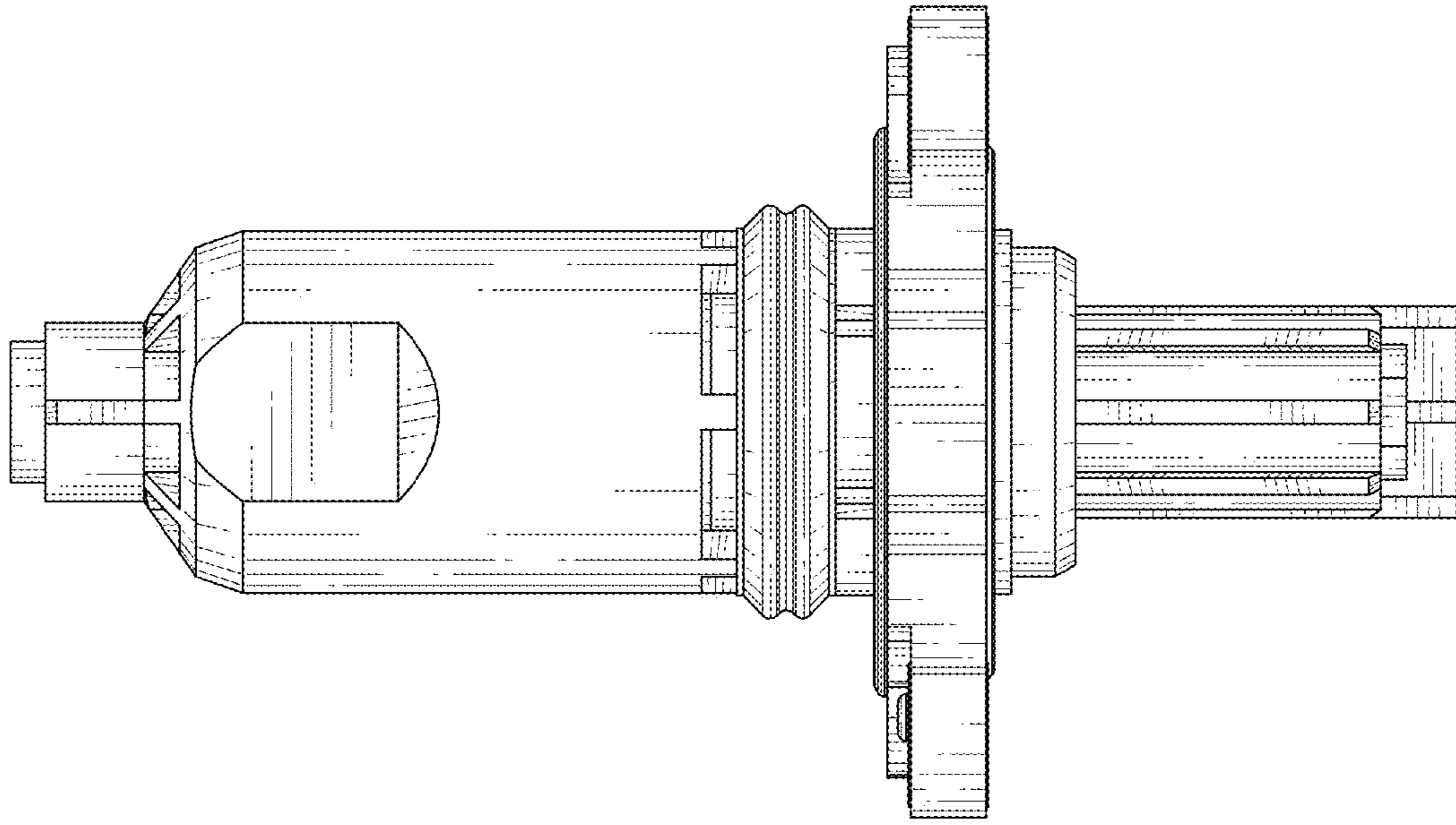


FIG. 4

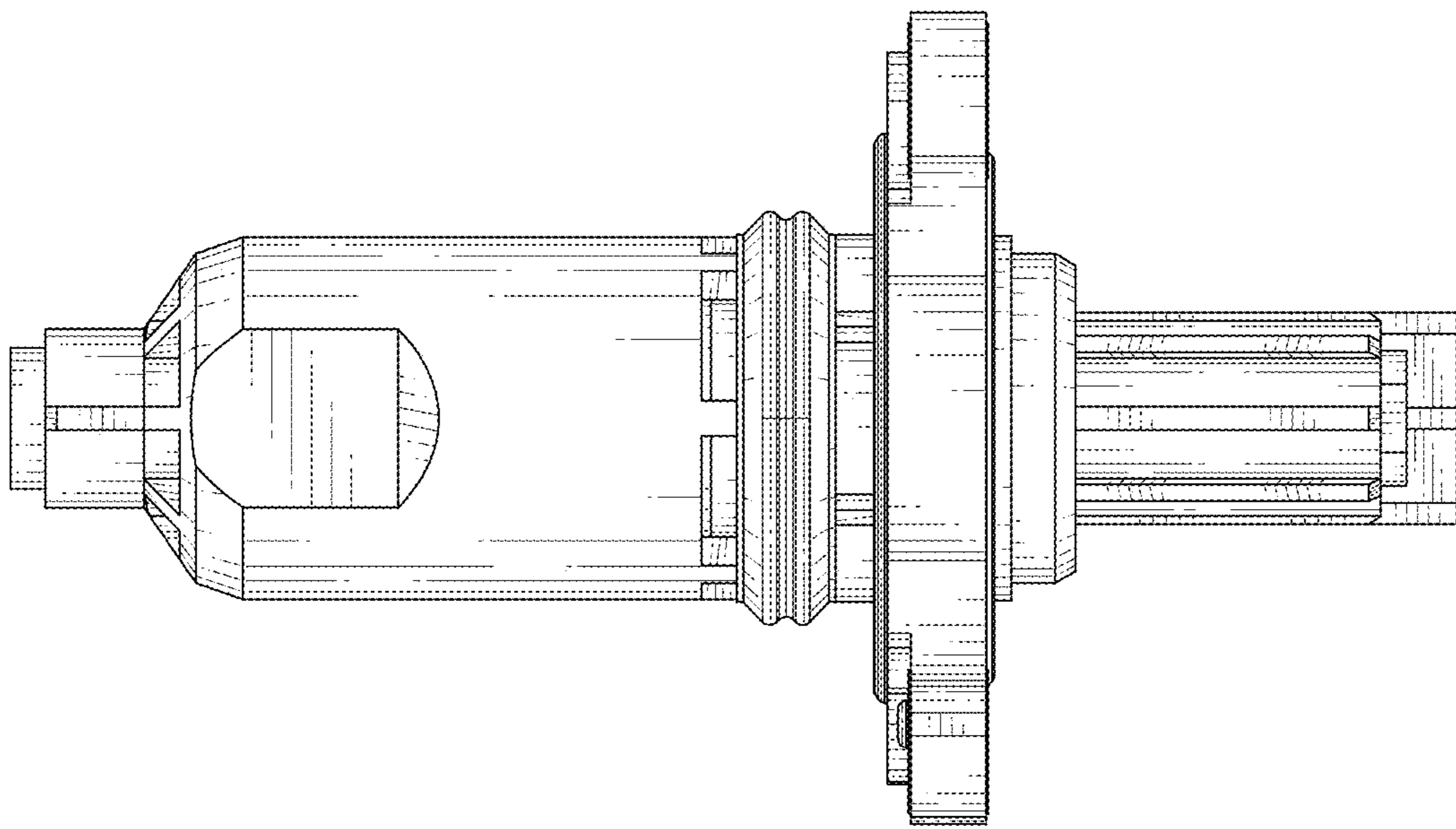


FIG. 3

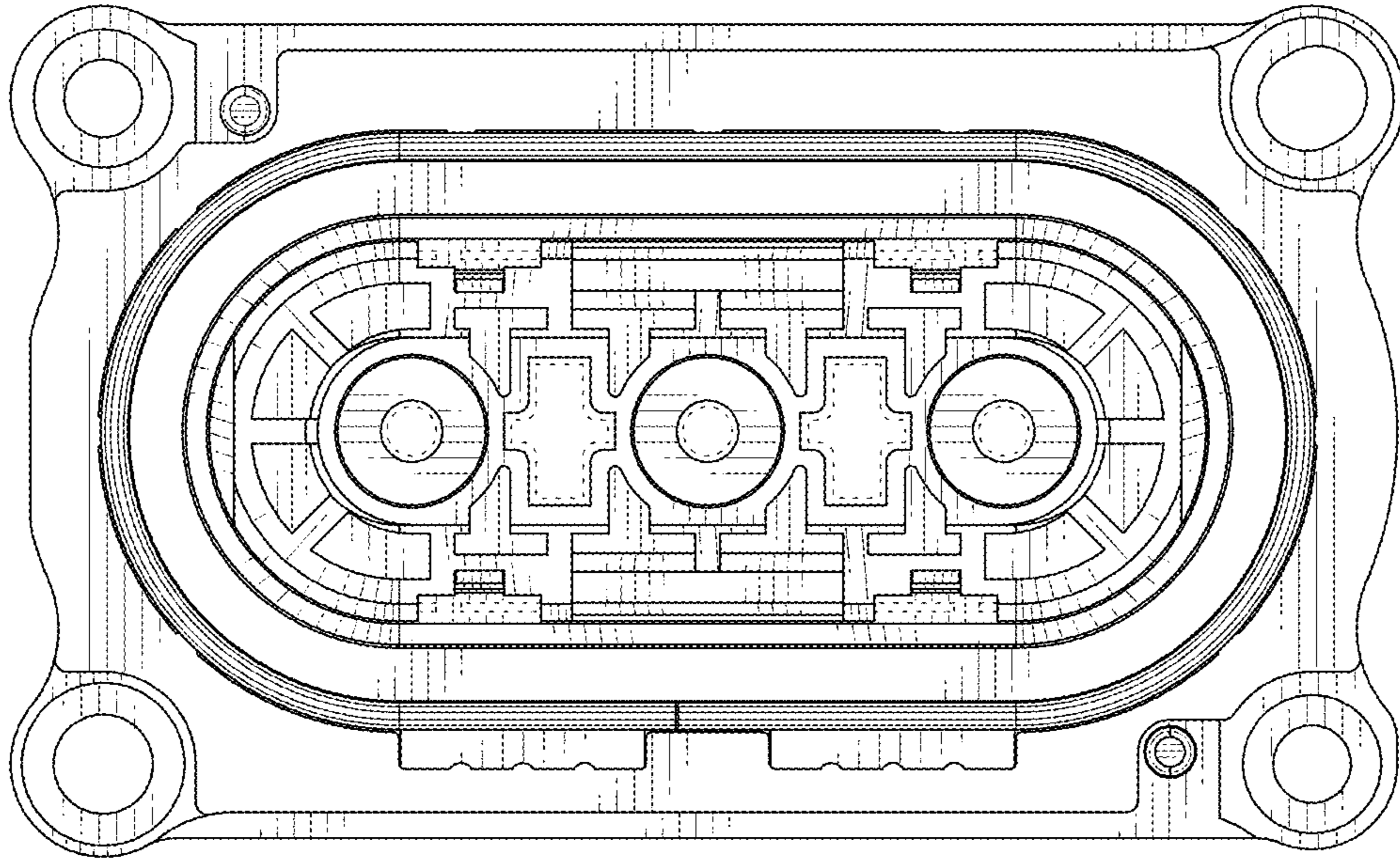


FIG. 5

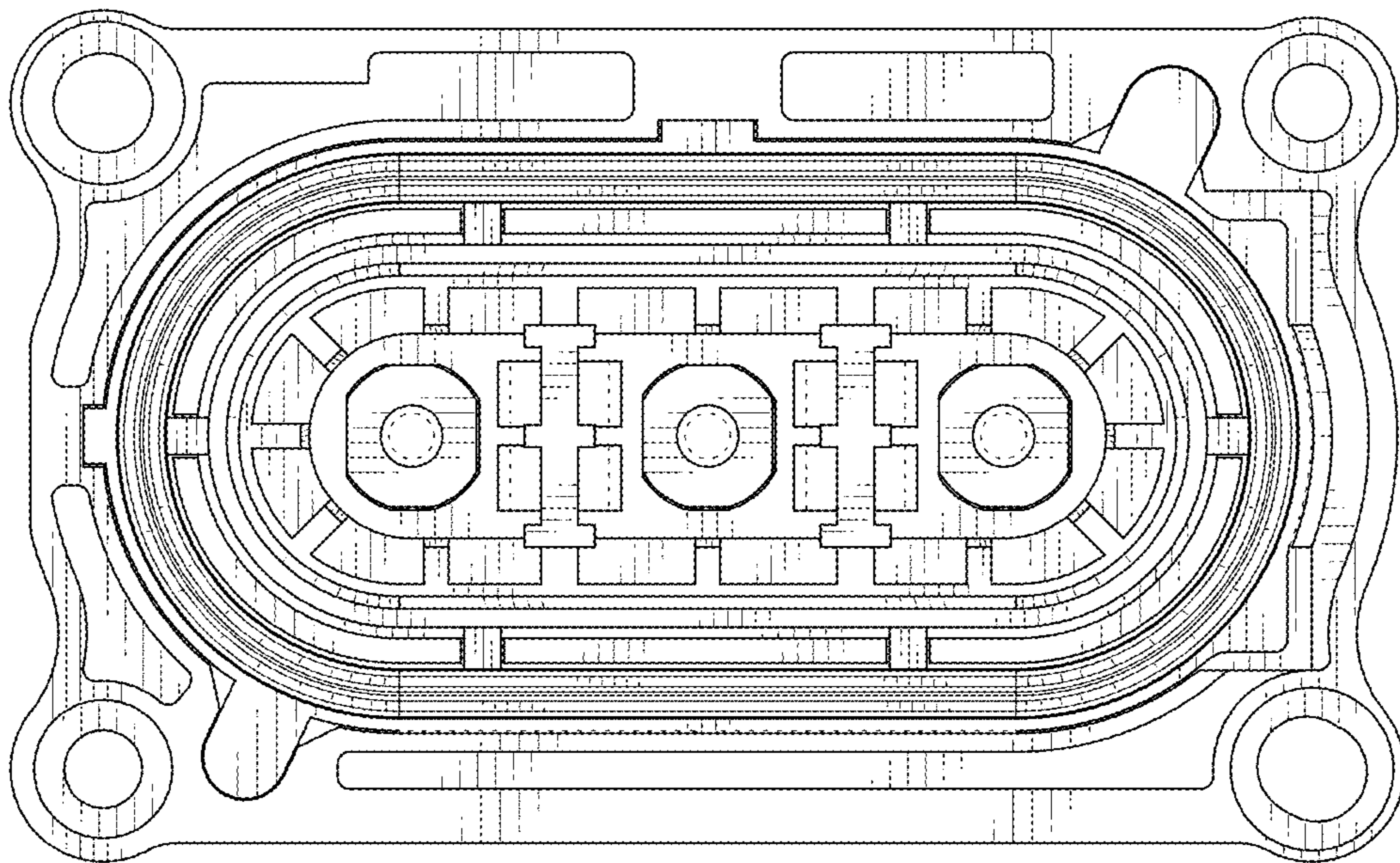


FIG. 6

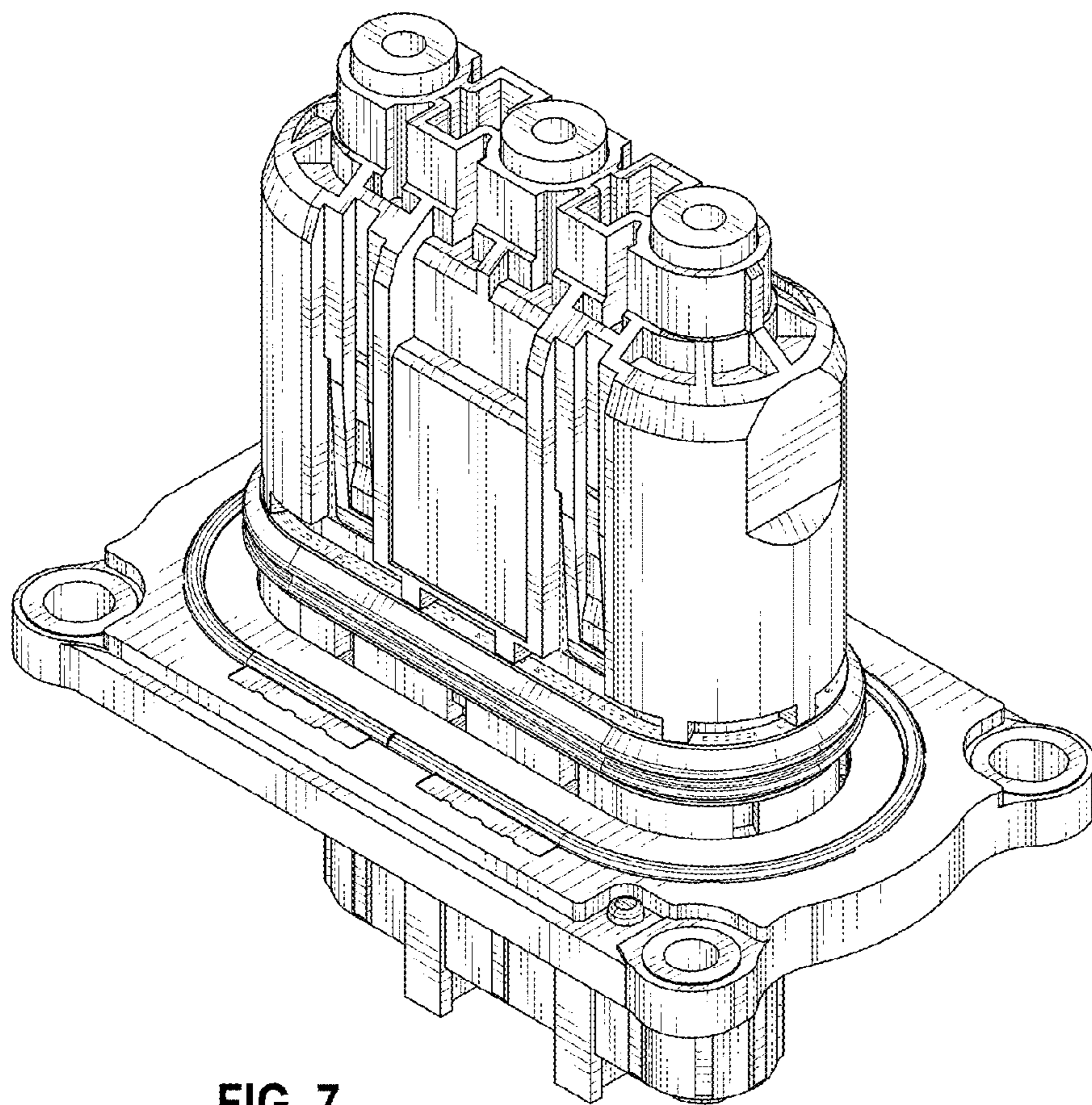


FIG. 7

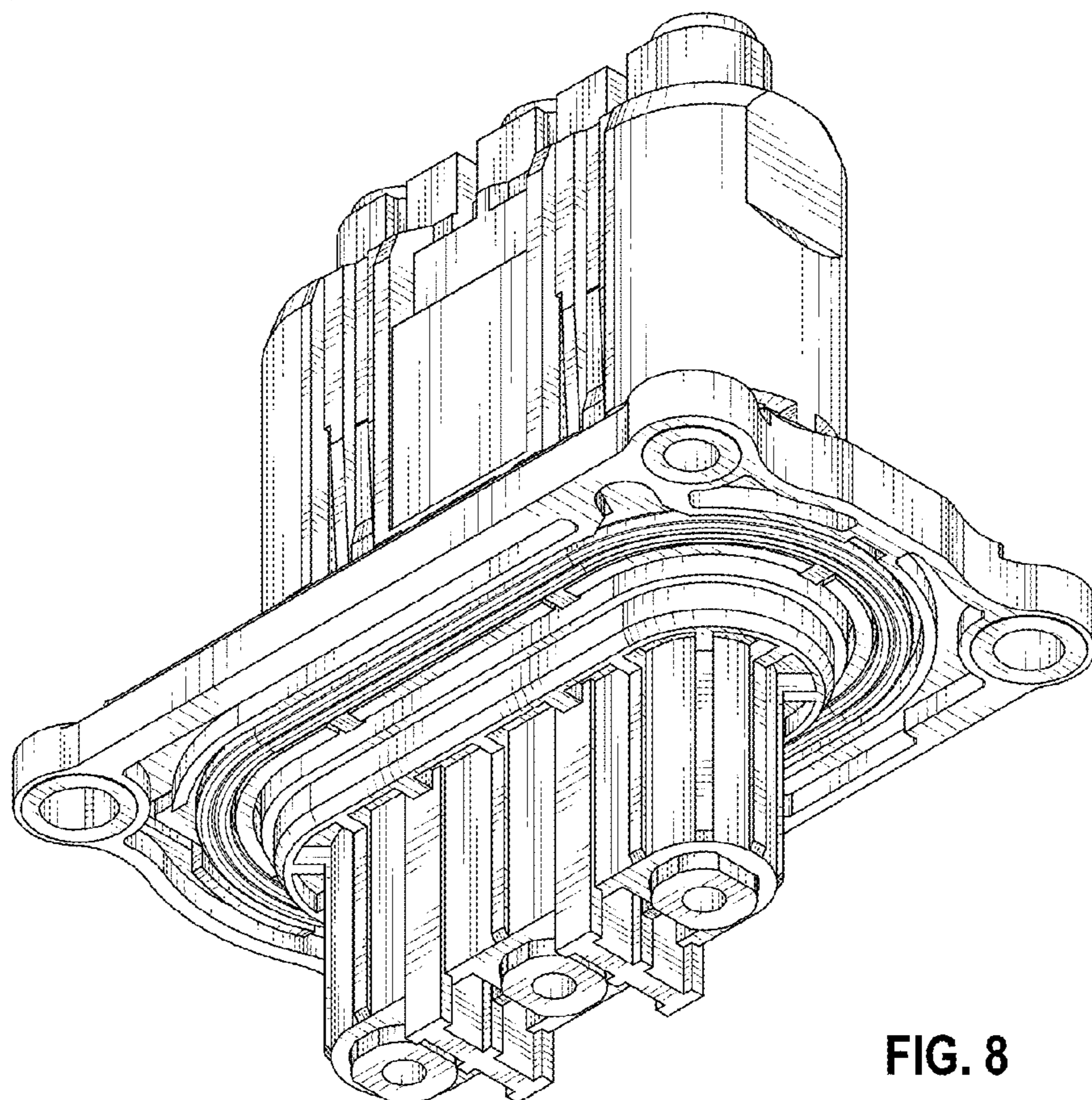


FIG. 8

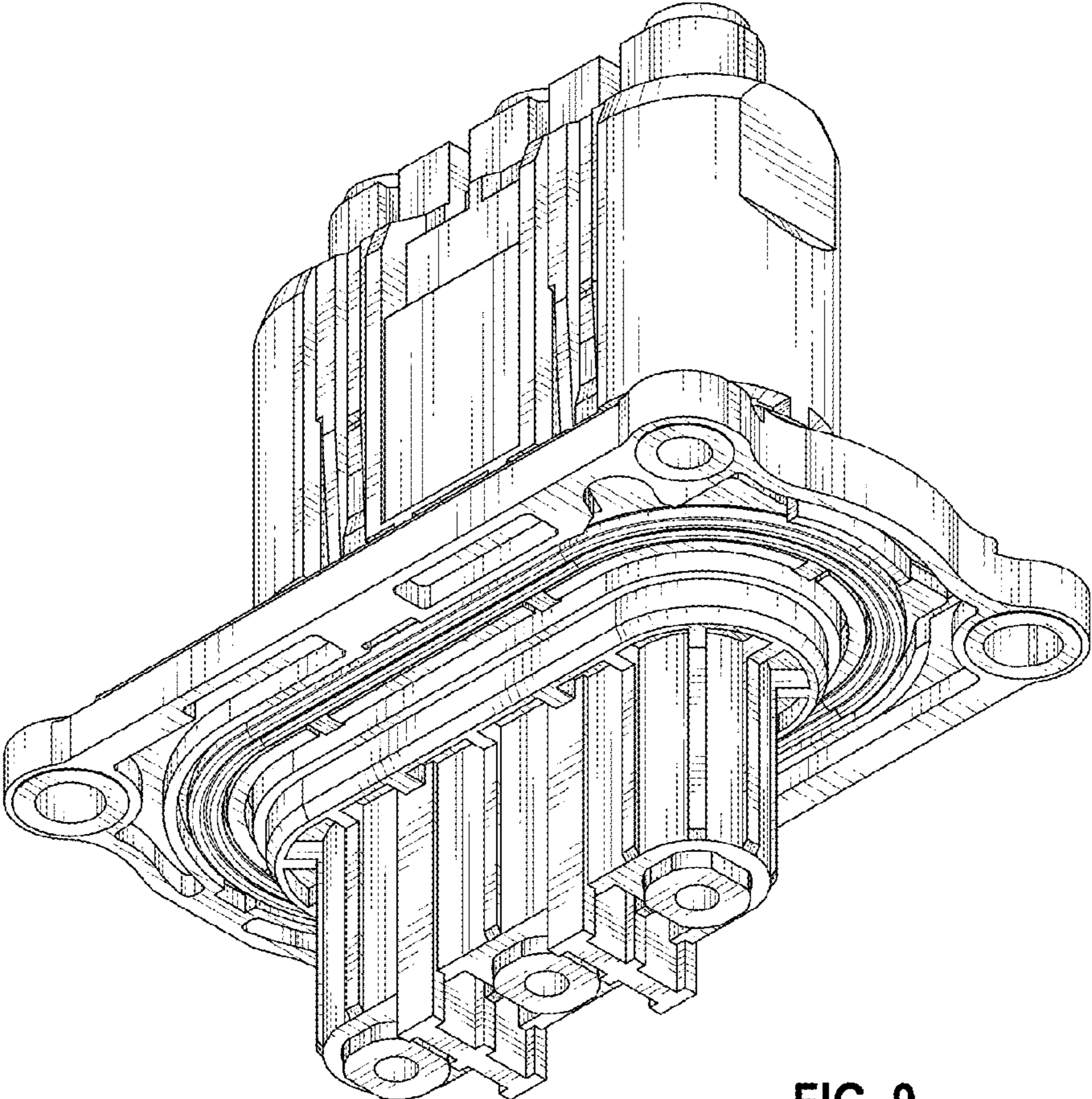


FIG. 9

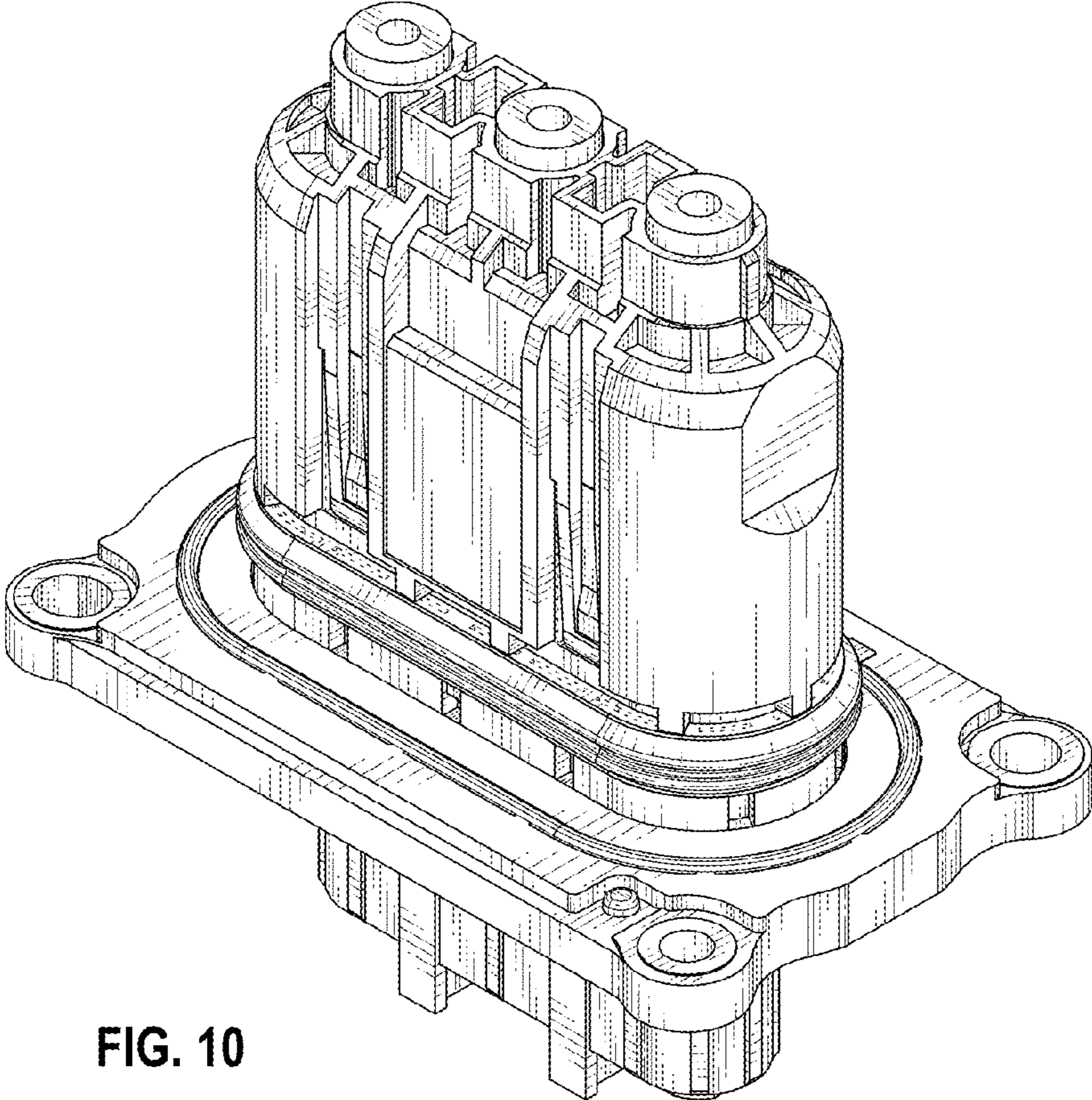


FIG. 10