



US00D983751S

(12) **United States Design Patent** (10) **Patent No.:** **US D983,751 S**  
**Alviar et al.** (45) **Date of Patent:** **\*\* Apr. 18, 2023**

(54) **MEDICAL DEVICE CONNECTOR**

(71) Applicant: **Physio-Control, Inc.**, Redmond, WA (US)

(72) Inventors: **Christopher Alviar**, Redmond, WA (US); **Ryan Bowman**, Redmond, WA (US); **Neal Clark**, Redmond, WA (US); **Zack Pahlman**, Redmond, WA (US); **Jeremy Wong**, Redmond, WA (US); **John Depillo**, Redmond, WA (US)

(73) Assignee: **Physio-Control, Inc.**, Redmond, WA (US)

(\*\*) Term: **15 Years**

(21) Appl. No.: **29/708,183**

(22) Filed: **Oct. 3, 2019**

(51) **LOC (14) Cl.** ..... **13-03**

(52) **U.S. Cl.**  
USPC ..... **D13/133; D13/146**

(58) **Field of Classification Search**  
USPC ..... D13/107, 108, 123, 133, 146, 147, 154, D13/184, 199; D24/107, 127, 129, 167, D24/168, 187  
CPC .... A61N 1/39; A61B 5/00; A61B 5/04; A61B 5/0408; A61B 5/0416; A61B 6/03; H01R 9/00; H01R 9/03; H01R 13/00; H01R 13/46; H01R 13/627; H01R 13/64; H01R 13/73; H01R 24/00  
See application file for complete search history.

(56) **References Cited**

**U.S. PATENT DOCUMENTS**

D161,900 S \* 2/1951 Burt ..... D13/146  
D493,428 S \* 7/2004 McCoy ..... D13/147  
D560,168 S \* 1/2008 McCoy ..... D13/133  
D561,109 S 2/2008 Howerton et al.  
D576,554 S \* 9/2008 Sun ..... D13/146

D601,965 S 10/2009 Rupp et al.  
D609,188 S 2/2010 Lee et al.  
D644,609 S \* 9/2011 Marroquin ..... D13/147  
D644,610 S \* 9/2011 Marroquin ..... D13/147  
D704,657 S 5/2014 Smith et al.  
D729,741 S \* 5/2015 Price ..... D13/147  
D755,720 S \* 5/2016 Dobler ..... D13/133  
D777,671 S \* 1/2017 Ishiguro ..... D13/133  
D789,297 S \* 6/2017 Dobler ..... D13/133

(Continued)

**FOREIGN PATENT DOCUMENTS**

CN 2010033992 A1 3/2010

**OTHER PUBLICATIONS**

Alliedelec.com, "Amphenol Industrial MS3102A20-27P", retrieved on Oct. 6, 2020 from «www.alliedelec.com/product/amphenol-industrial/ms3102a20-27p/70010014», Feb. 24, 2019, 2 pages.

(Continued)

*Primary Examiner* — Shawn T Gingrich

(74) *Attorney, Agent, or Firm* — Lee & Hayes, P.C.

(57) **CLAIM**

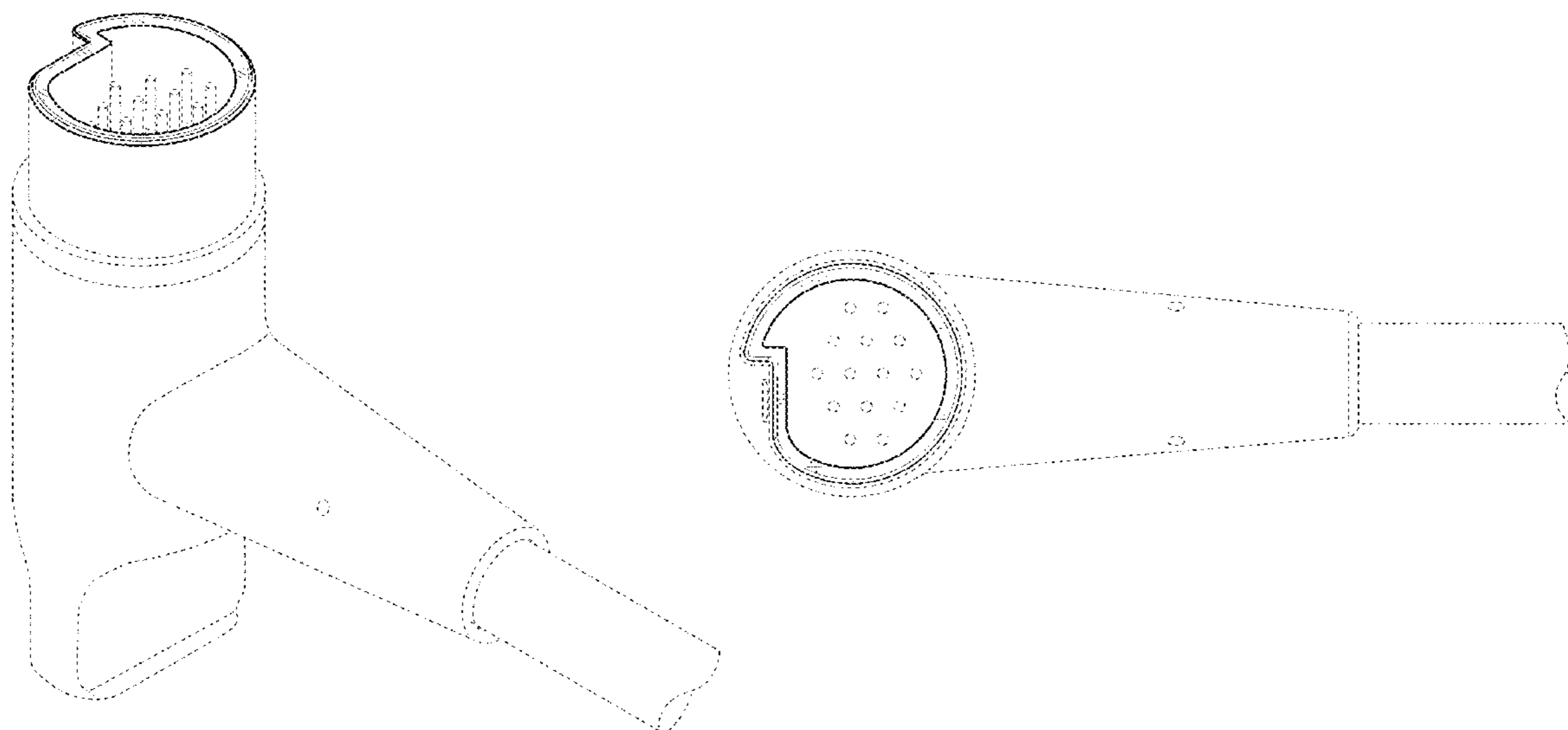
The ornamental design for a medical device connector, as shown and described.

**DESCRIPTION**

FIG. 1 is a top perspective view of a medical device connector;  
FIG. 2 is an enlarged perspective view of the medical device connector shown in FIG. 1;  
FIG. 3 is a top view thereof;  
FIG. 4 is a front side view thereof;  
FIG. 5 is a back view thereof; and,  
FIG. 6 is a side view thereof.

The dashed-lines represent the remainder of the article and do not form part of the claimed design, are directed to environment, and represent unclaimed subject matter.

**1 Claim, 4 Drawing Sheets**



(56)

**References Cited**

U.S. PATENT DOCUMENTS

D794,573 S 8/2017 Tateishi  
D817,280 S \* 5/2018 Nook ..... D13/133  
9,985,384 B1 \* 5/2018 Johnson ..... H01R 13/73  
D838,247 S \* 1/2019 Corona ..... D13/151  
D880,427 S \* 4/2020 Milroy ..... D13/147  
D883,935 S \* 5/2020 Kito ..... D13/147  
D892,060 S 8/2020 Zhang  
D940,659 S \* 1/2022 Alviar ..... D13/147  
11,381,033 B2 \* 7/2022 Johnson ..... H01R 13/64  
2012/0315771 A1 12/2012 Greig et al.

OTHER PUBLICATIONS

Amazon, "14 Pin Male Plug 136961 141162 Miller Hobart Wire Feeder", retrieved on Oct. 6, 2020, from <<https://www.amazon.com/Male-Plug-Miller-Thermal-Hobart/dp/B00O1GXW72>>, May 10, 2016, 2 pages.

Non Final Office Action dated Oct. 28, 2020 for U.S. Appl. No. 29/708,182, "Medical Device Connector", Alviar, 6 pages.

OnAnon, "Medical Connectors", retrieved on Oct. 6, 2020 from <<http://www.onanon.com/medical-connectors>>, Apr. 27, 2017, 1 page.

\* cited by examiner

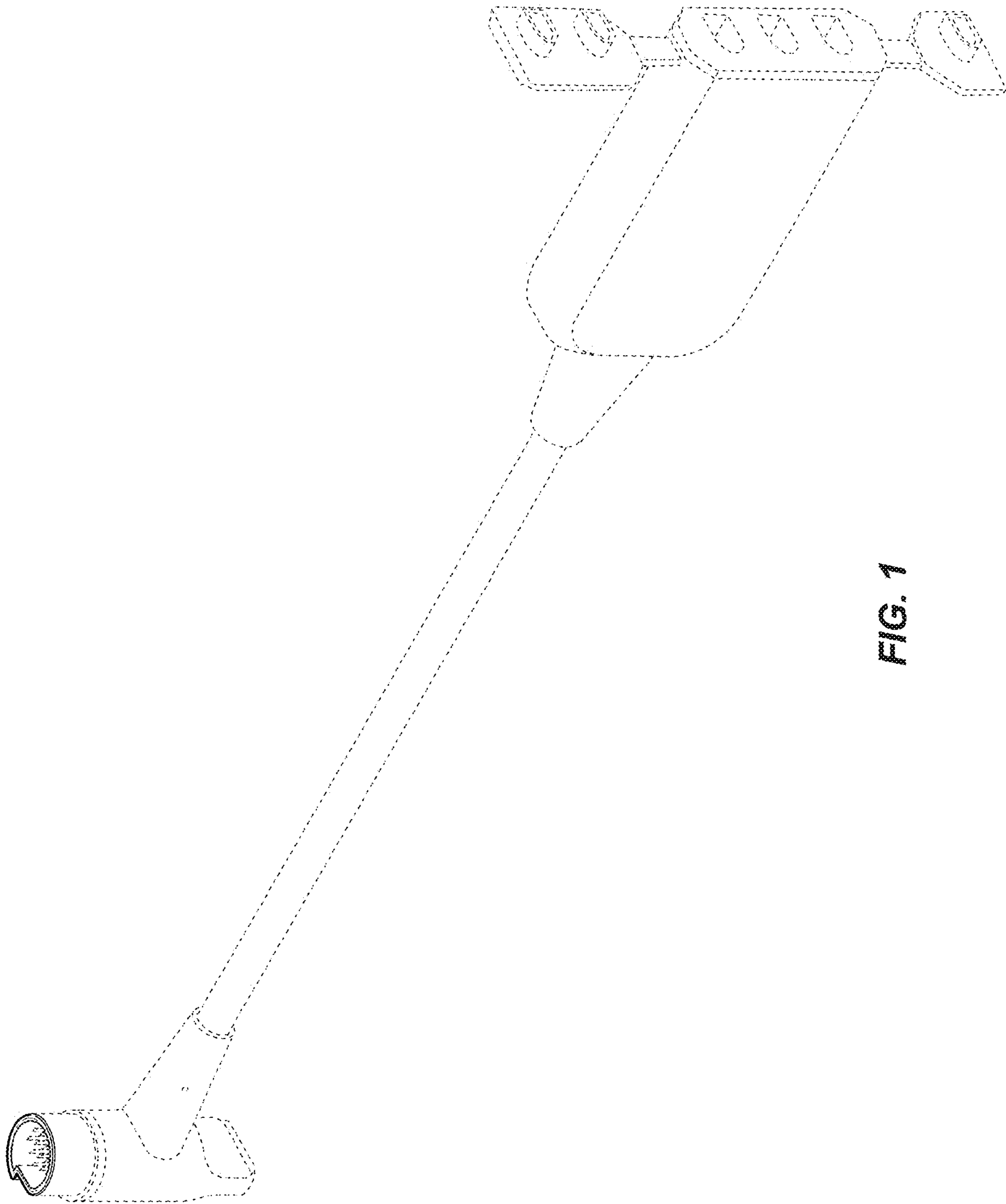
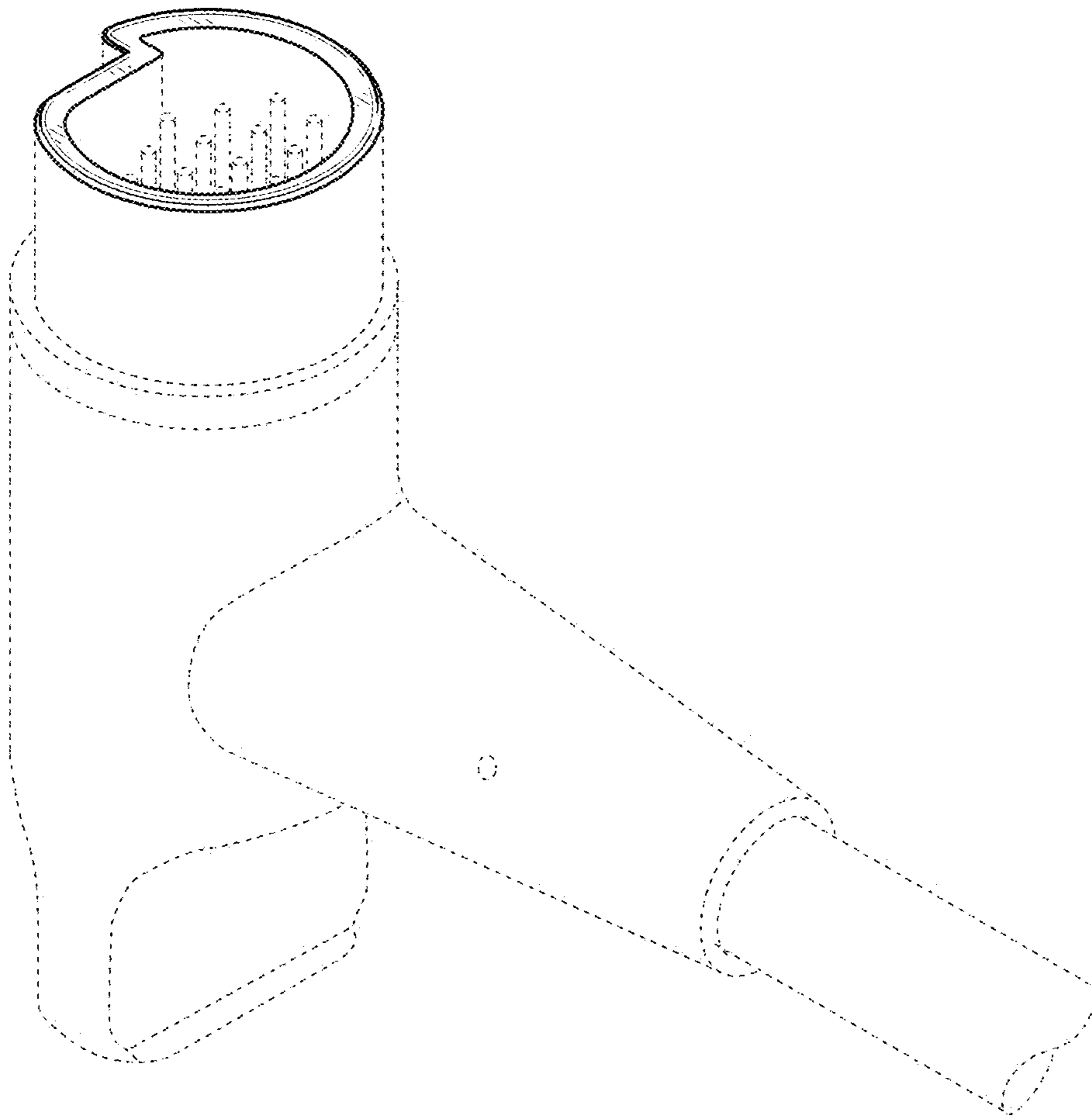
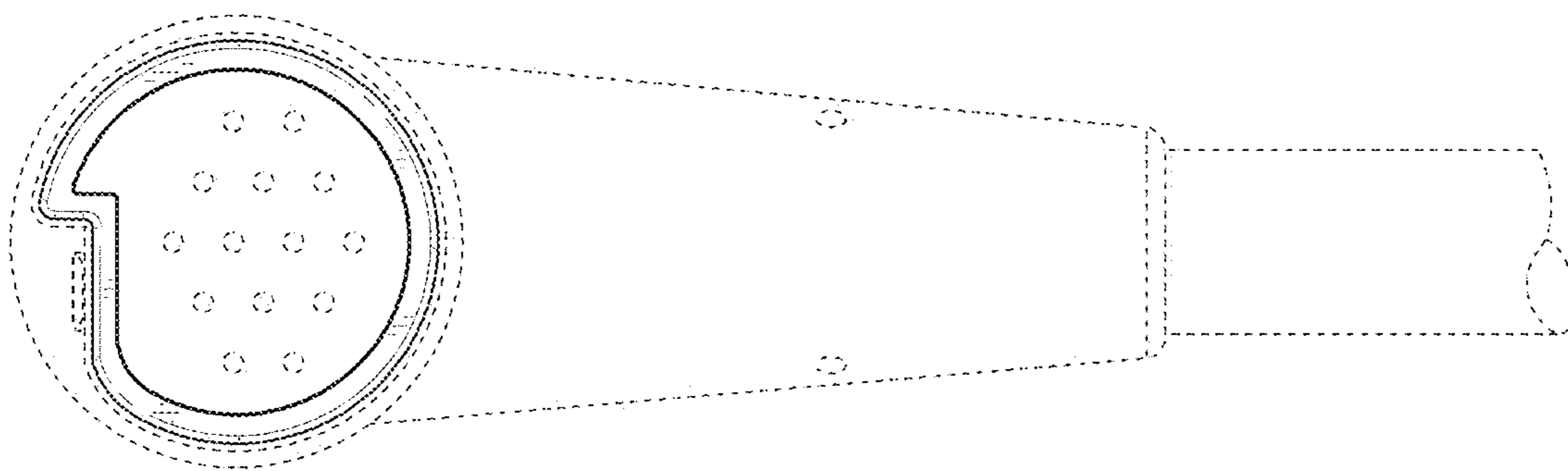


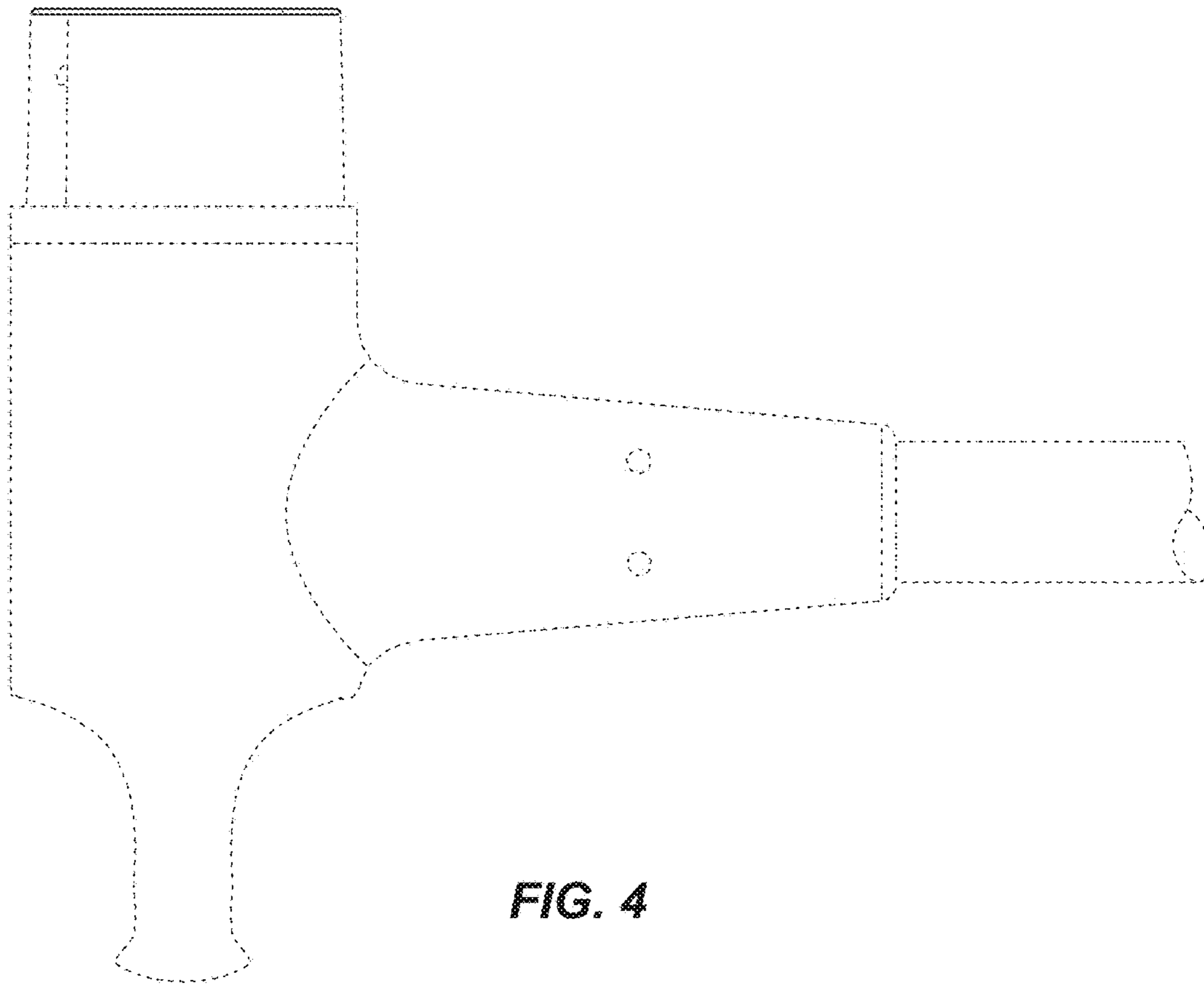
FIG. 1



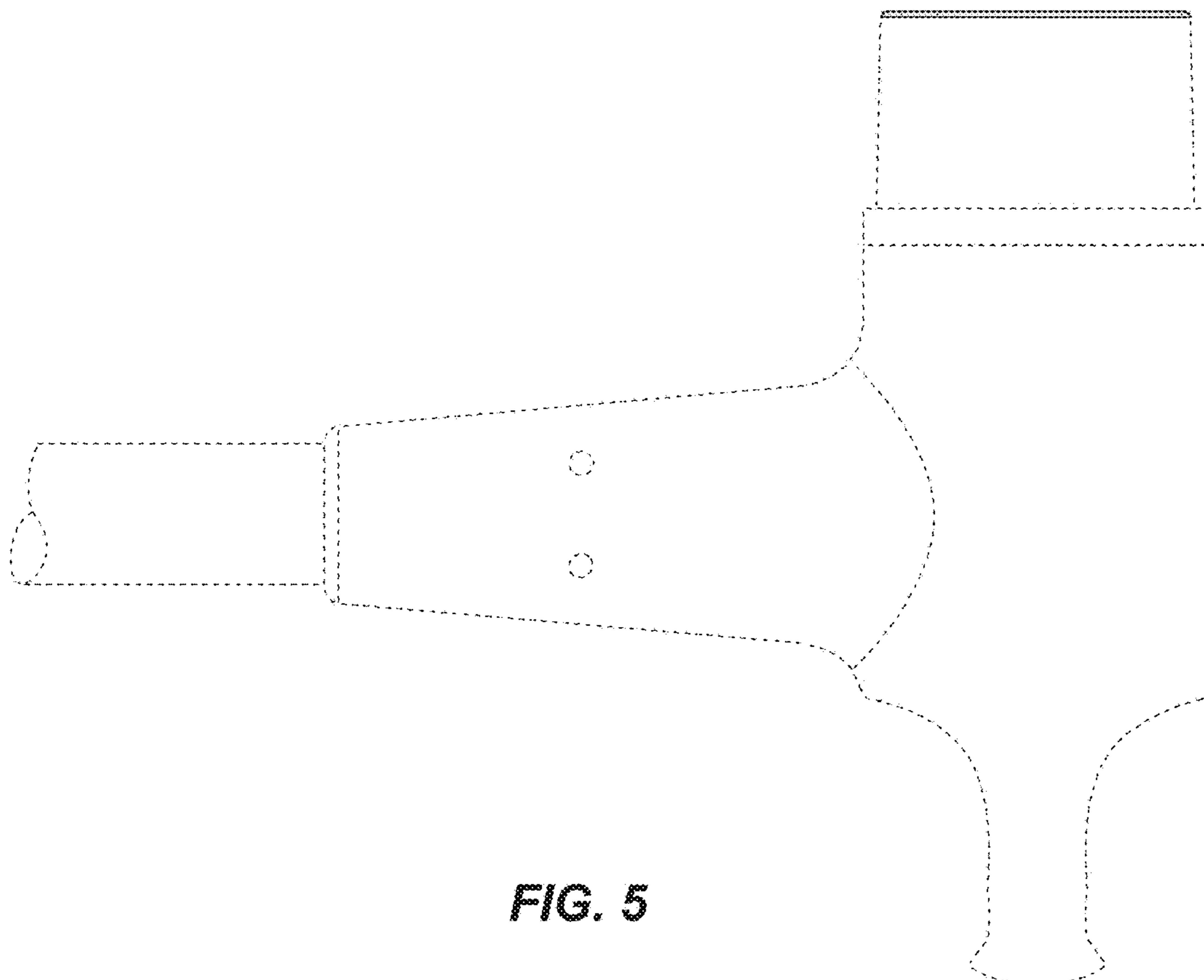
**FIG. 2**



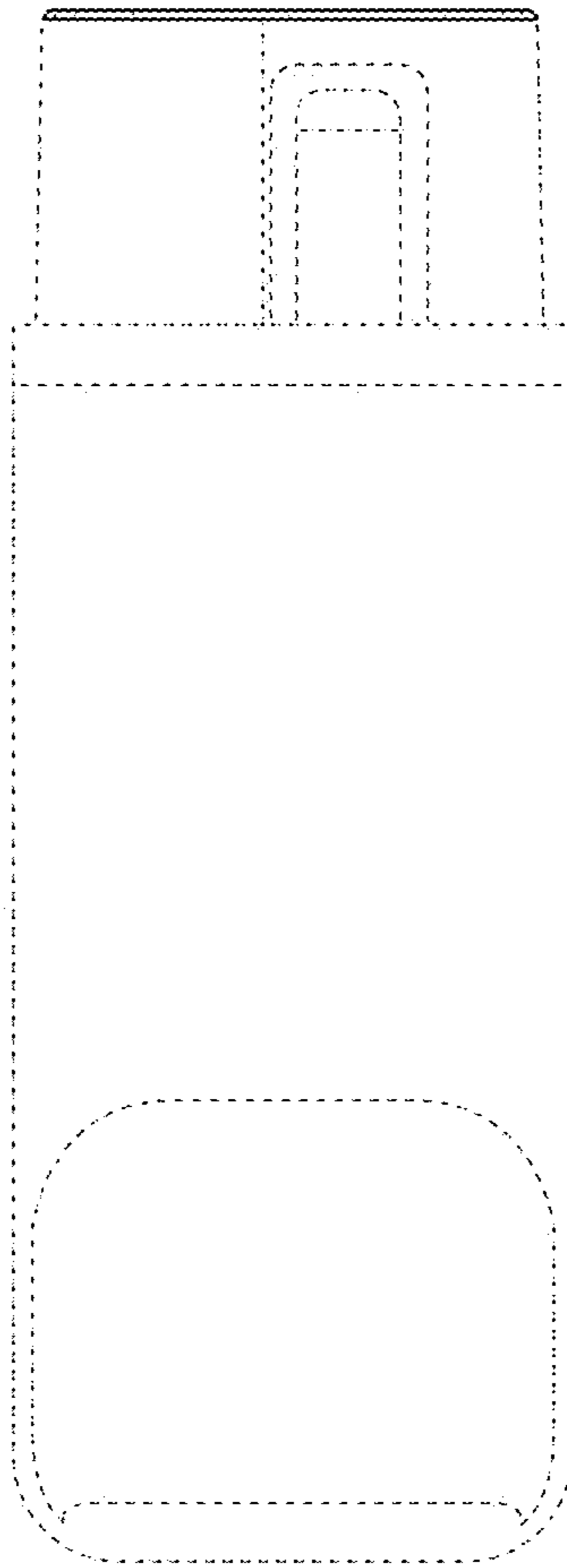
**FIG. 3**



**FIG. 4**



**FIG. 5**



**FIG. 6**