



US00D983750S

(12) **United States Design Patent**
Chang et al.

(10) **Patent No.:** **US D983,750 S**
(45) **Date of Patent:** **** Apr. 18, 2023**

(54) **POWER CONNECTOR**

CPC B60L 3/00; G02B 6/3825; G02B 6/3891;
H01H 85/0241; H01R 13/707
See application file for complete search history.

(71) Applicants: **SOLTEAM ELECTRONICS (DONG GUAN) CO., LTD.**, Dong Guan (CN);
SOLTEAM ELECTRONICS (SU ZHOU) CO., LTD., Wu Jiang (CN);
SOLTEAM INCORPORATION,
Taoyuan (TW)

(56) **References Cited**

U.S. PATENT DOCUMENTS

D325,190	S	*	4/1992	Nagasaka	D13/147
D326,640	S	*	6/1992	Ohkura	D13/133
D337,306	S	*	7/1993	Nakata	D13/146
7,789,690	B1	*	9/2010	Rhein	H01R 13/707 439/352
8,047,725	B2	*	11/2011	Katagiyama	G02B 6/3825 385/58
8,328,581	B2	*	12/2012	de Chazal	B60L 3/00 439/620.28
D686,978	S	*	7/2013	Nicholson	D13/102

(Continued)

(72) Inventors: **Chun-Yun Chang**, Taoyuan (TW);
Ying-Sung Ho, Taoyuan (TW);
Ta-Feng Yeh, Taoyuan (TW);
Cheng-Wei Lu, Taoyuan (TW); **Chi-Yu Chu**, Taoyuan (TW)

OTHER PUBLICATIONS

Dalroad, Date: Nov. 12, 2016, [online], [site visited May 31, 2022].
Available from internet, URL: <https://www.dalroad.com/product/hva280-discrete-headers-connectors/> (Year: 2016).*

Primary Examiner — Shawn T Gingrich
Assistant Examiner — Bryan N. Melvin

(73) Assignees: **SOLTEAM ELECTRONICS (DONG GUAN) CO., LTD.**, Dong Guan (CN);
SOLTEAM ELECTRONICS (SU ZHOU) CO., LTD., Wu Jiang (CN);
SOLTEAM INCORPORATION,
Taoyuan (TW)

(**) Term: **15 Years**

(57) **CLAIM**

(21) Appl. No.: **29/652,473**

The ornamental design for a power connector, as shown and described.

(22) Filed: **Aug. 26, 2020**

DESCRIPTION

(30) **Foreign Application Priority Data**

Mar. 4, 2020 (CN) 202030069688.5

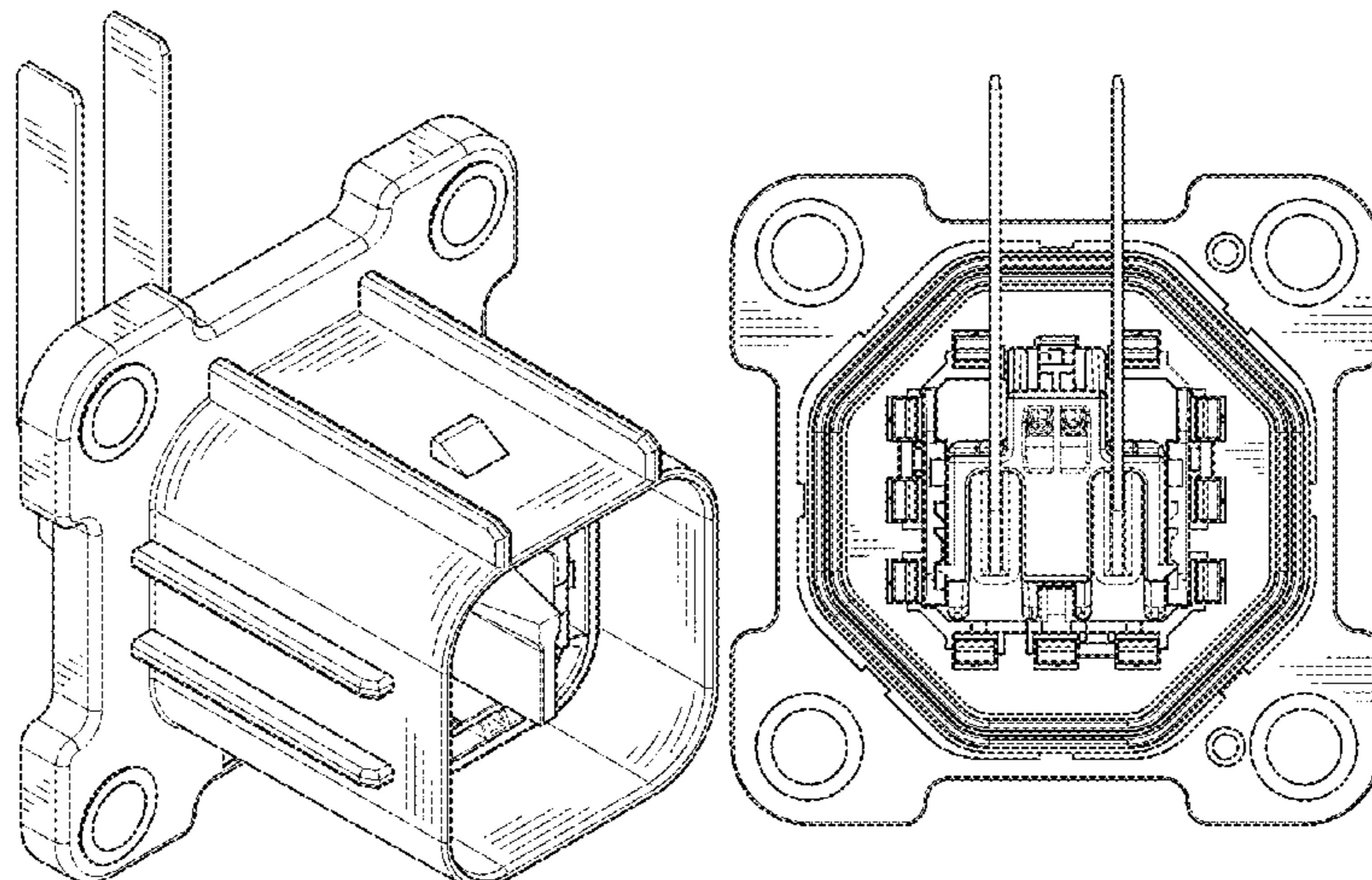
(51) **LOC (14) Cl.** **13-03**

(52) **U.S. Cl.**
USPC **D13/133; D13/147**

(58) **Field of Classification Search**
USPC D13/102, 120, 133–136, 138.1, 139.1,
D13/146–147, 149, 151, 154, 156, 162,
D13/199

FIG. 1 is a top, front and right side perspective view of a power connector showing our design;
FIG. 2 is a front view thereof;
FIG. 3 is a rear view thereof
FIG. 4 is a right side view thereof
FIG. 5 is a left side view thereof;
FIG. 6 is a top view thereof;
FIG. 7 is a bottom view thereof; and,
FIG. 8 is a top, rear and left side perspective view thereof.

(Continued)



The broken lines in the drawings illustrate portions of the power connector that form no part of the claimed design.

1 Claim, 8 Drawing Sheets

(56)

References Cited

U.S. PATENT DOCUMENTS

D707,631	S	*	6/2014	Koshiishi	D13/134
D708,141	S	*	7/2014	Koshiishi	D13/134
D817,883	S	*	5/2018	Ishiguro	D13/133
D850,381	S	*	6/2019	Tabata	D13/133
2009/0305542	A1	*	12/2009	Masuzaki	G02B 6/3891
					439/271
2010/0124834	A1	*	5/2010	De Chazal	H01H 85/0241
					439/271

* cited by examiner

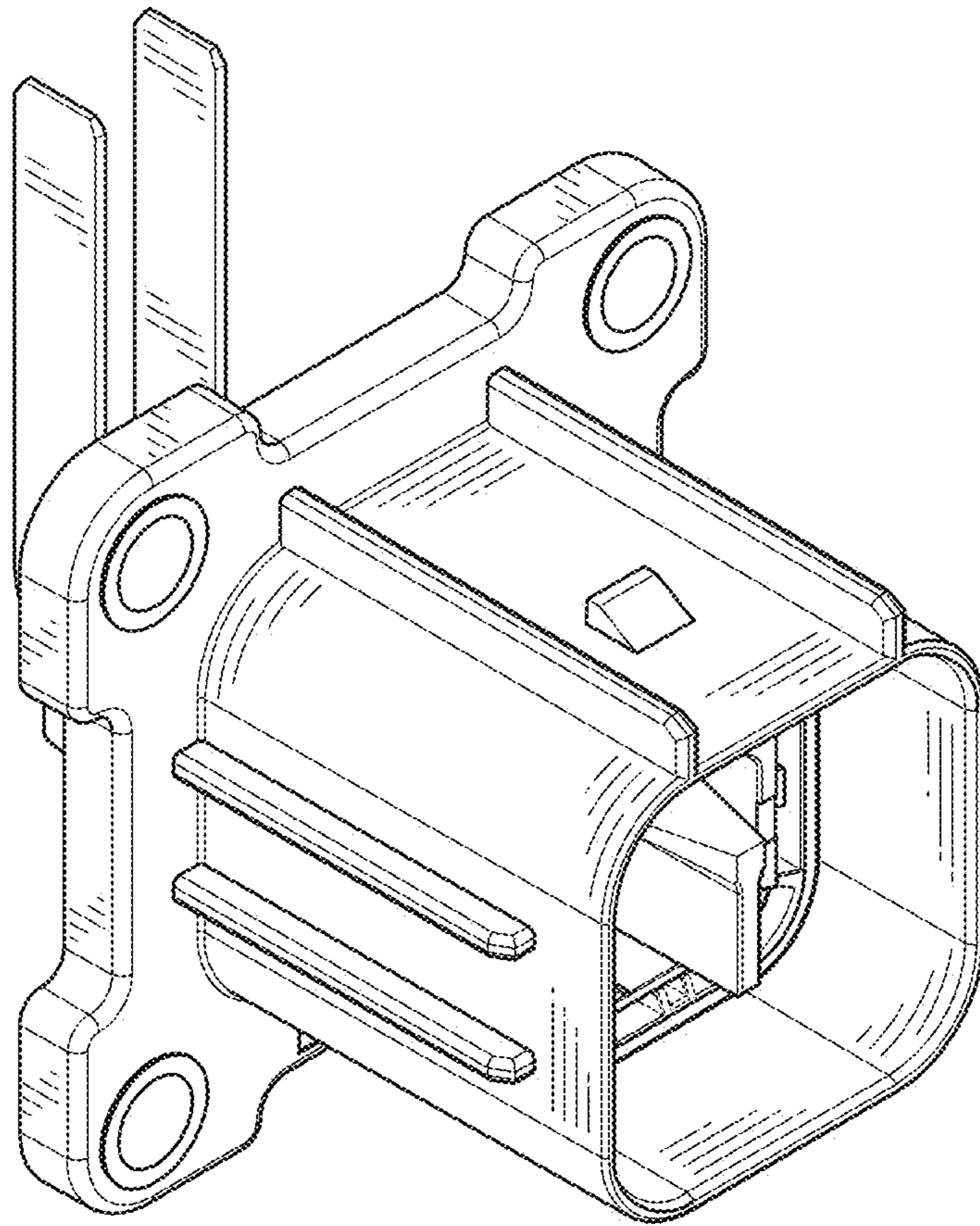


FIG. 1

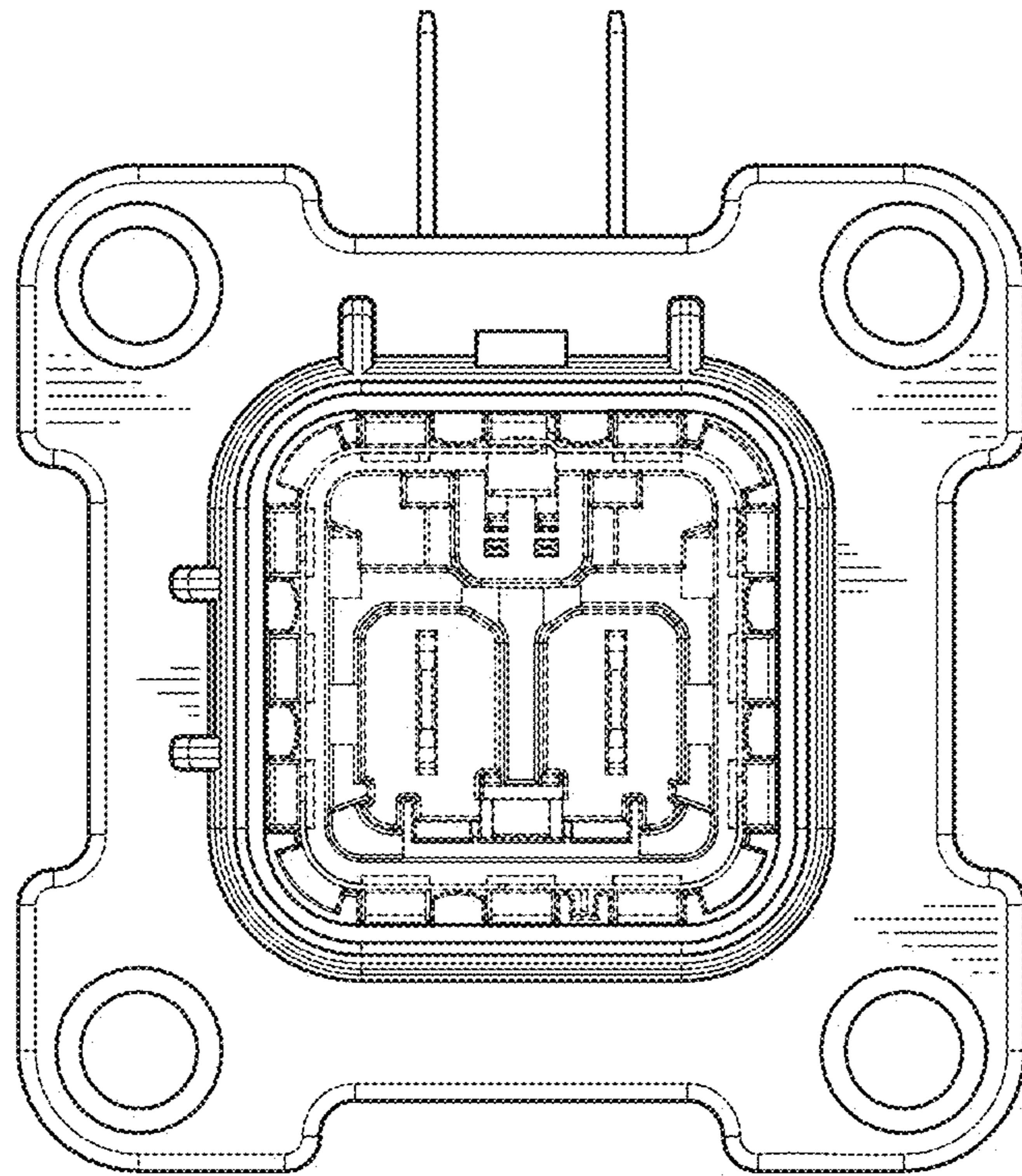


FIG. 2

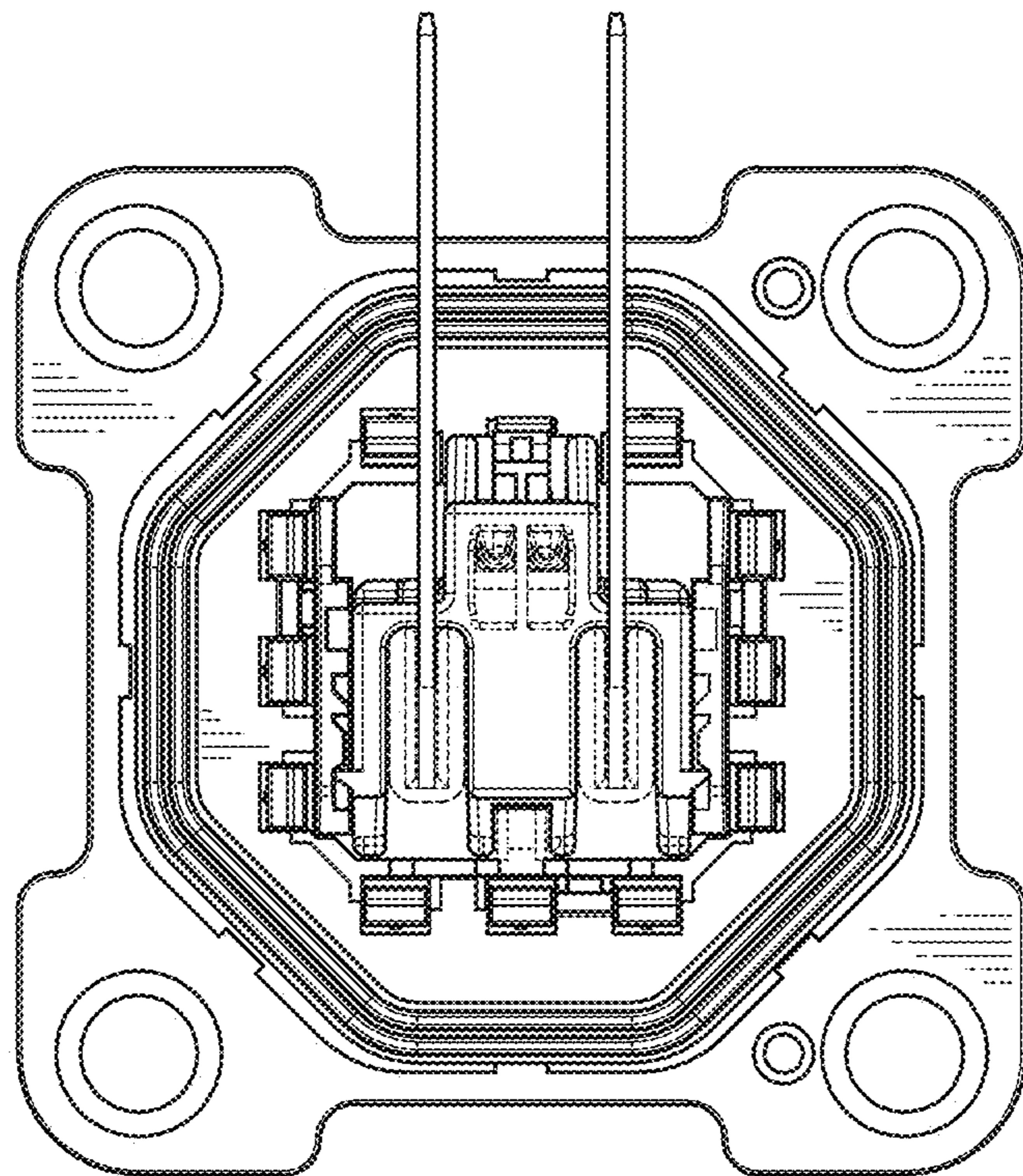


FIG. 3

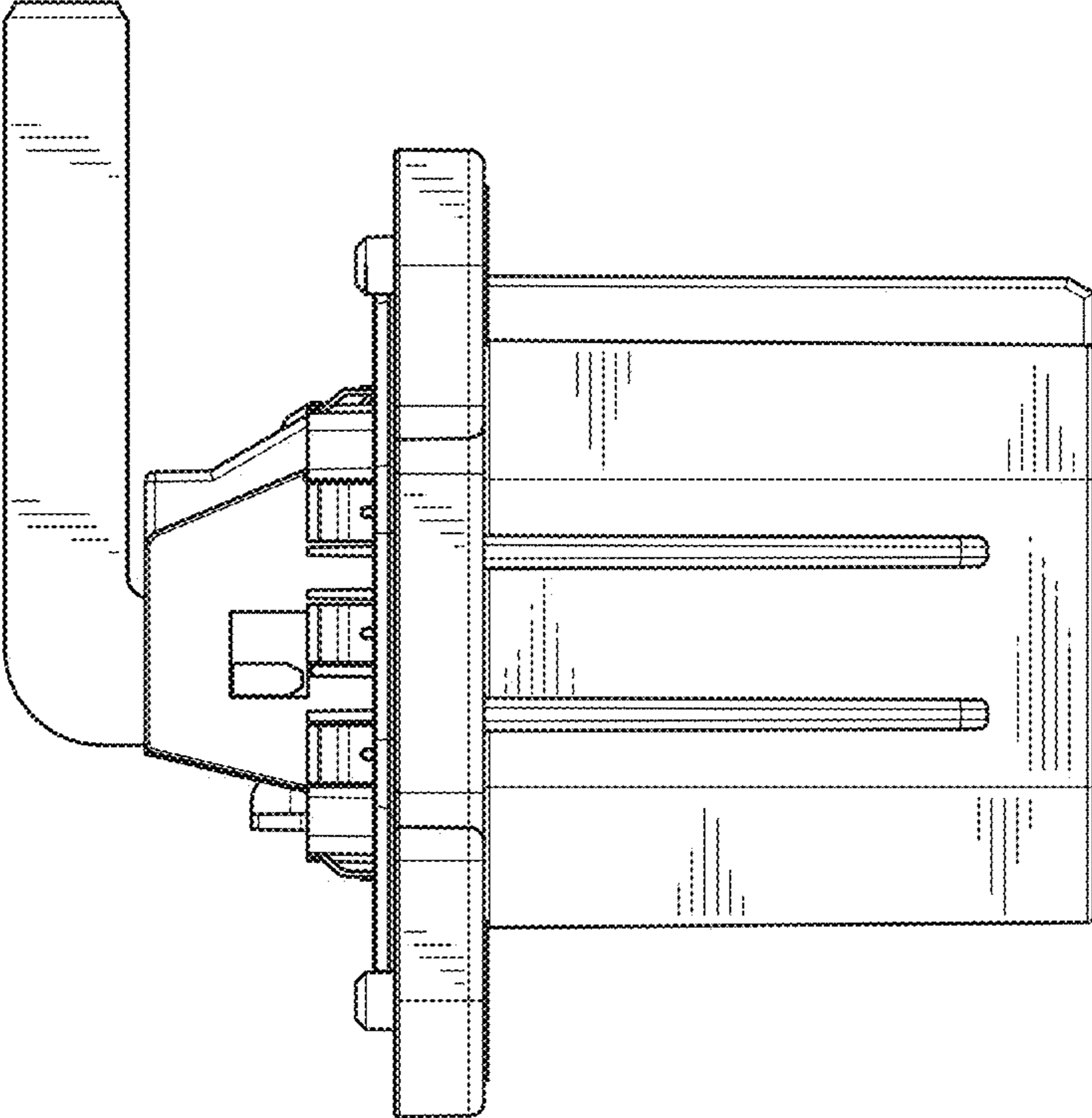


FIG. 4

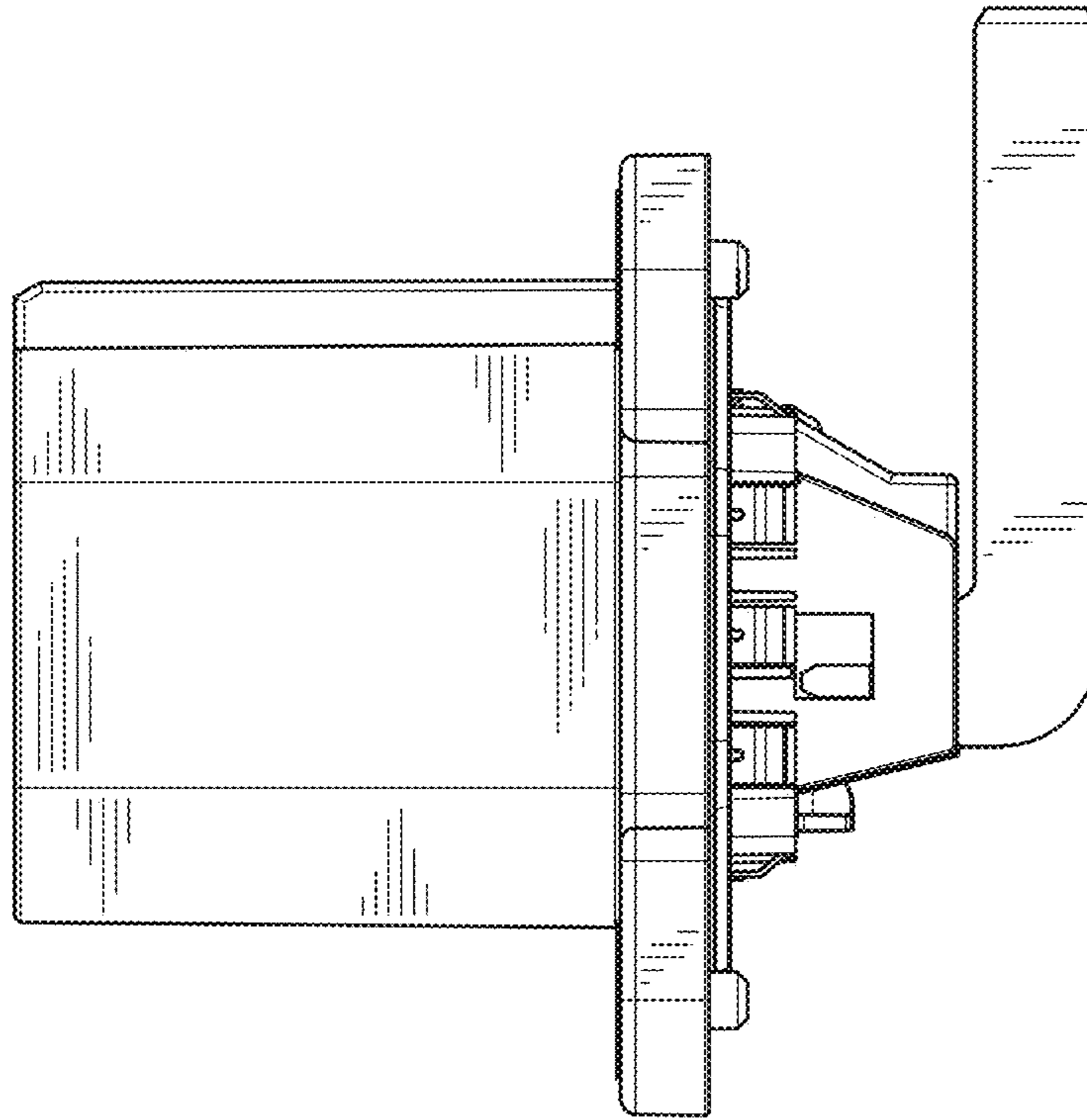


FIG. 5

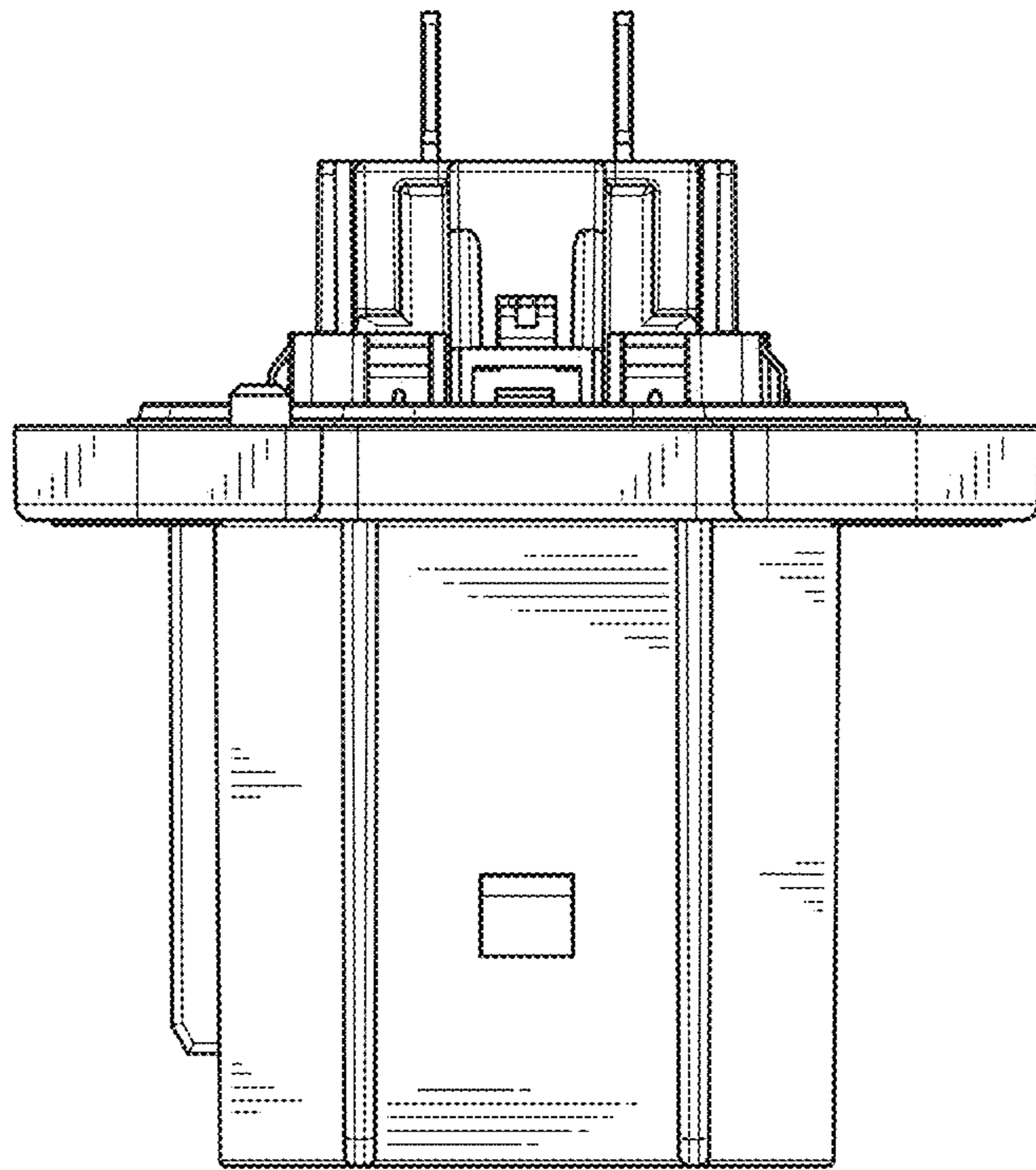


FIG. 6

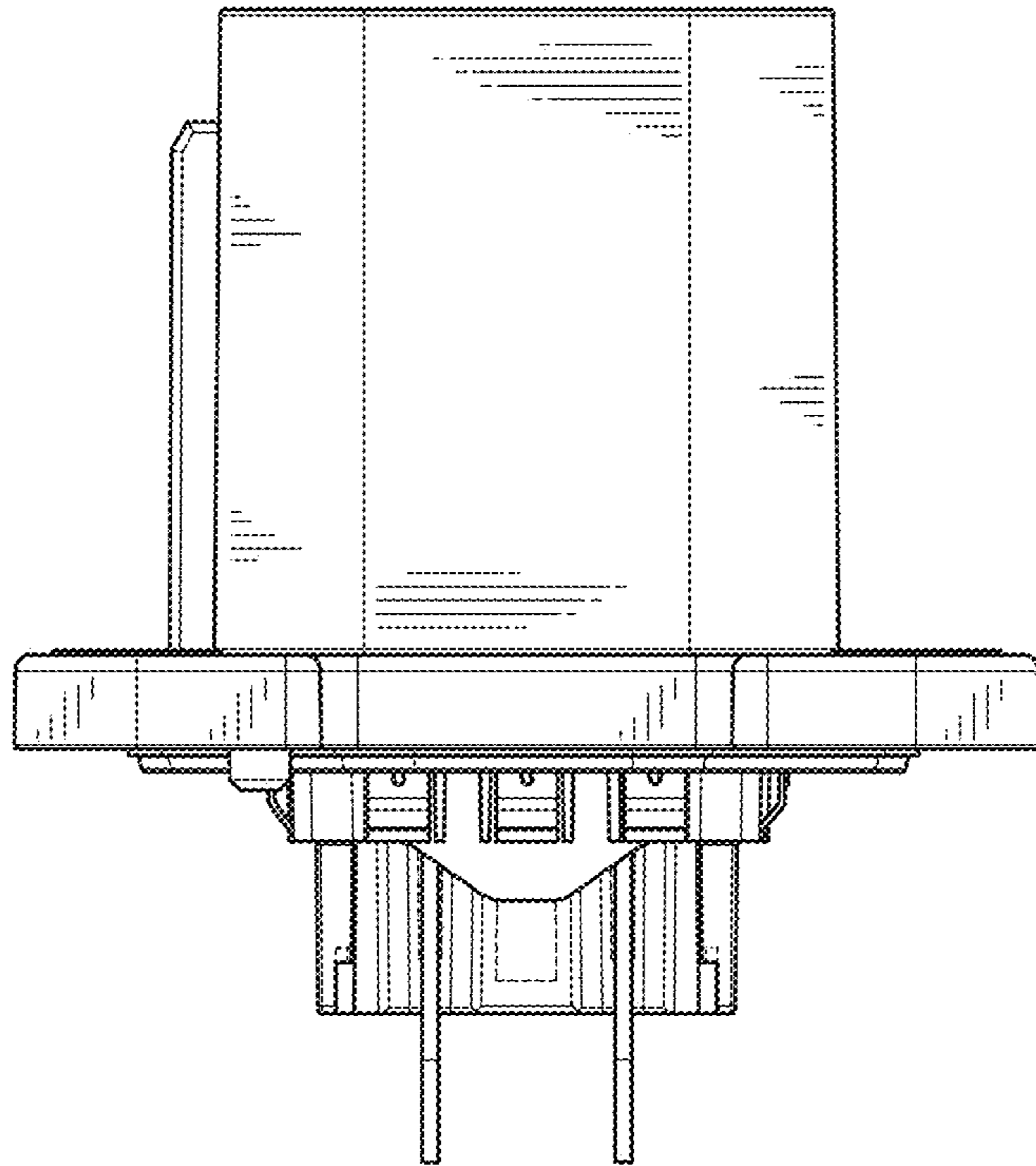


FIG. 7

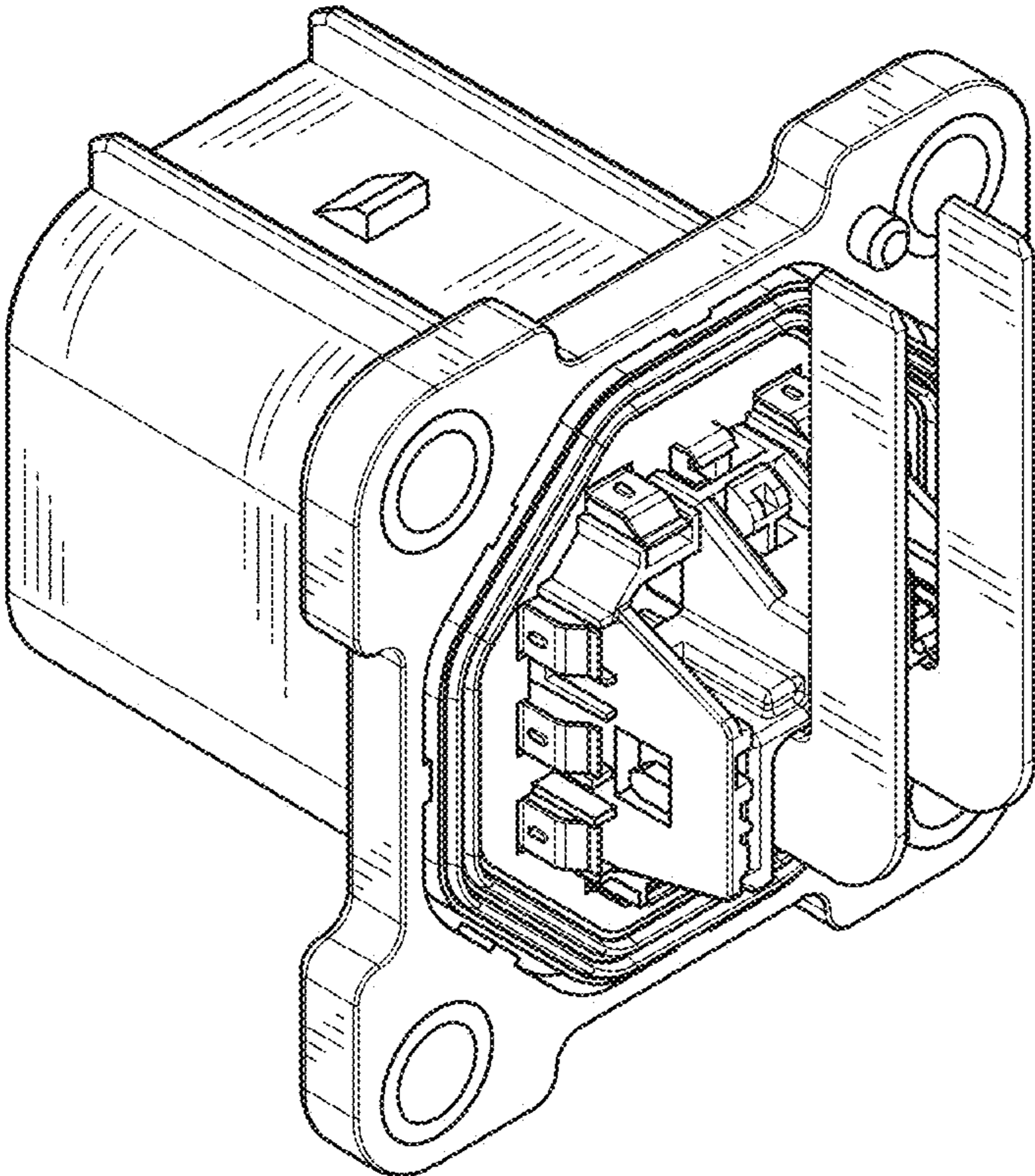


FIG. 8