



US00D983749S

(12) **United States Design Patent** (10) **Patent No.:** **US D983,749 S**
Mesch (45) **Date of Patent:** **** Apr. 18, 2023**

(54) **SMART CITY HUB HOUSING DEVICE**

(71) Applicants: **Lightwell B.V.**,
Amsterdam-Duivendrecht (NL);
Gemeente Rotterdam, Rotterdam (NL)

(72) Inventor: **Florian Mesch**, Amsterdam (NL)

(**) Term: **15 Years**

(21) Appl. No.: **35/512,005**

(22) Filed: **Apr. 30, 2021**

(80) **Hague Agreement Data**

Int. Filing Date: **Apr. 30, 2021**

Int. Reg. No.: **DM/214472**

Int. Reg. Date: **Apr. 30, 2021**

Int. Reg. Pub. Date: **Jun. 11, 2021**

(51) **LOC (14) Cl.** **13-02**

(52) **U.S. Cl.**
USPC **D13/123**

(58) **Field of Classification Search**
USPC D13/123, 147, 133, 162, 139.1–139.8,
D13/158, 152; D14/433, 155; D10/75
See application file for complete search history.

(56) **References Cited**

U.S. PATENT DOCUMENTS

D443,586 S * 6/2001 Sakasegawa D13/123
D464,956 S * 10/2002 Hill D13/152

D479,203 S * 9/2003 Korematsu D13/158
D517,482 S * 3/2006 Nipke D13/139.2
D524,735 S * 7/2006 Hung D13/133
D525,586 S * 7/2006 Blake D13/162
D598,379 S * 8/2009 Wang D13/133
D739,353 S * 9/2015 Mielnik D13/123
D774,016 S * 12/2016 Kondo D14/155
D824,854 S * 8/2018 Andersson D13/123
D862,473 S * 10/2019 Liu D14/433
D864,868 S * 10/2019 Tenzer D13/123
D877,699 S * 3/2020 Chen D13/123
D880,483 S * 4/2020 Fan D14/433
D900,104 S * 10/2020 Liao D14/433
D910,578 S * 2/2021 Turksu D14/433
D930,594 S * 9/2021 Kobayashi D13/147
D934,867 S * 11/2021 Wu D14/433
D948,453 S * 4/2022 Aki D13/147
D949,852 S * 4/2022 Ohtani D10/75

* cited by examiner

Primary Examiner — Rhea Shields

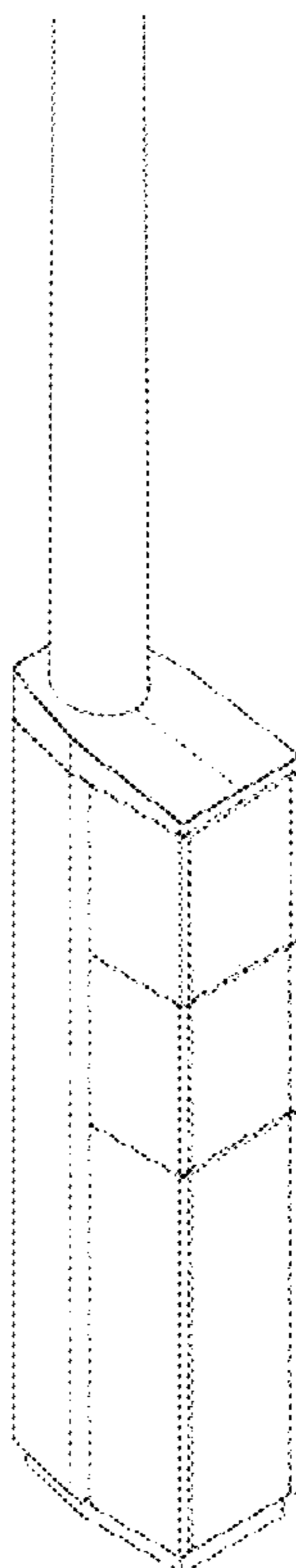
(57) **CLAIM**

The ornamental design for a smart city hub housing system, as shown and described.

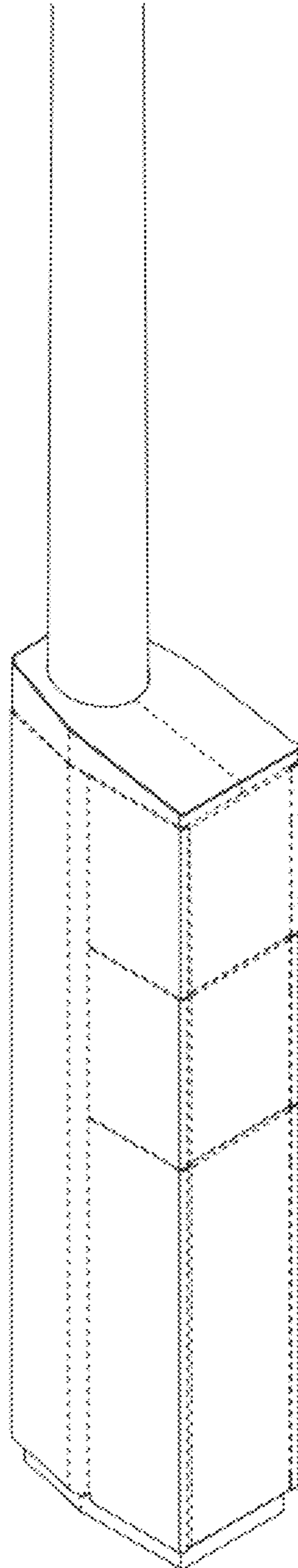
DESCRIPTION

2.1 is a front left perspective view;
2.2 is a side view, the other side being a mirror view; and
2.3 is a front view.
The broken lines depict portions of the smart city hub housing system that form no part of the claimed design.

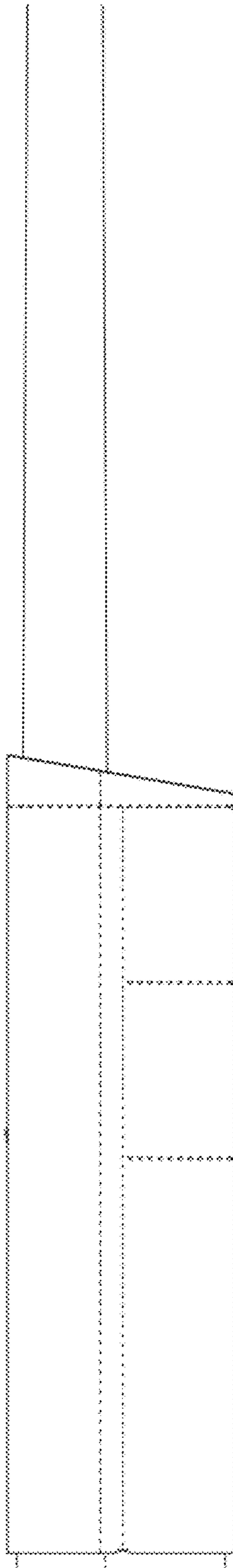
1 Claim, 3 Drawing Sheets



2.1



2.2



2.3

