



US00D983748S

(12) **United States Design Patent**
Zhu

(10) **Patent No.:** **US D983,748 S**

(45) **Date of Patent:** **** Apr. 18, 2023**

(54) **JUMPER CABLE DEVICE**

(71) Applicant: **SHENZHEN CAROSS CO., LTD.**,
Shenzhen (CN)

(72) Inventor: **Chunyi Zhu**, Lianyuan (CN)

(73) Assignee: **SHENZHEN CAROSS CO., LTD.**,
Shenzhen (CN)

(**) Term: **15 Years**

(21) Appl. No.: **29/815,052**

(22) Filed: **Nov. 11, 2021**

(30) **Foreign Application Priority Data**

Jul. 6, 2021 (CN) 202130425118.X

(51) **LOC (14) Cl.** **13-03**

(52) **U.S. Cl.**
USPC **D13/120**

(58) **Field of Classification Search**
USPC D13/120, 149, 156; D8/72
CPC H01R 11/282; H01R 11/24
See application file for complete search history.

(56) **References Cited**

U.S. PATENT DOCUMENTS

D836,068 S * 12/2018 Nook D13/120
D911,286 S * 2/2021 Esses D13/120

D937,762 S * 12/2021 Chung D13/107
D960,090 S * 8/2022 Underhill D13/107
2010/0173182 A1 * 7/2010 Baxter H01M 10/4257
429/61
2018/0269703 A1 * 9/2018 Nook F02N 11/12
2021/0094428 A1 * 4/2021 Nook B60L 3/0046

* cited by examiner

Primary Examiner — Jennifer O King

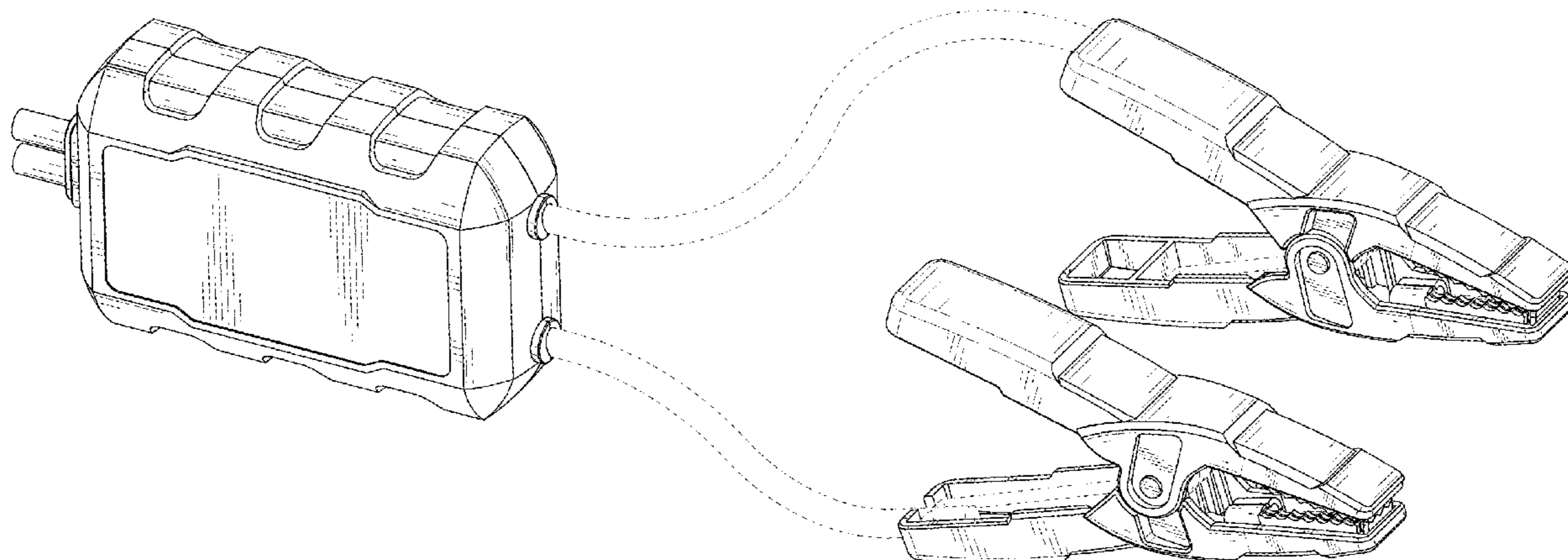
(57) **CLAIM**

The ornamental design for a jumper cable device, as shown and described.

DESCRIPTION

FIG. 1 is a perspective view of a jumper cable device showing my new design;
FIG. 2 is another perspective view thereof;
FIG. 3 is a front elevational view thereof;
FIG. 4 is a rear elevational view thereof;
FIG. 5 is a left side elevational view thereof;
FIG. 6 is a right side elevational view thereof;
FIG. 7 is a top plan view thereof;
FIG. 8 is a bottom plan view thereof; and,
FIG. 9 is a perspective view of a clip body of the jumper cable device, shown in isolation for ease of illustration.
The broken lines in the drawings depict portions of the jumper cable device that form no part of the claimed design.

1 Claim, 9 Drawing Sheets



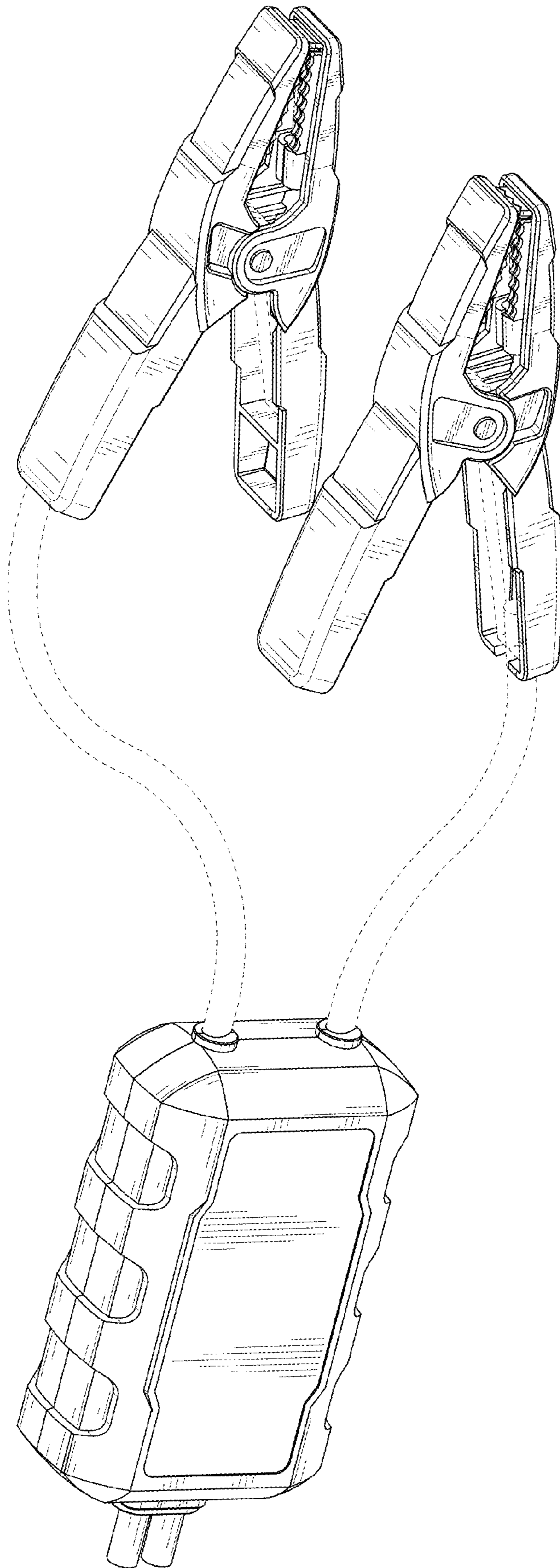


FIG. 1

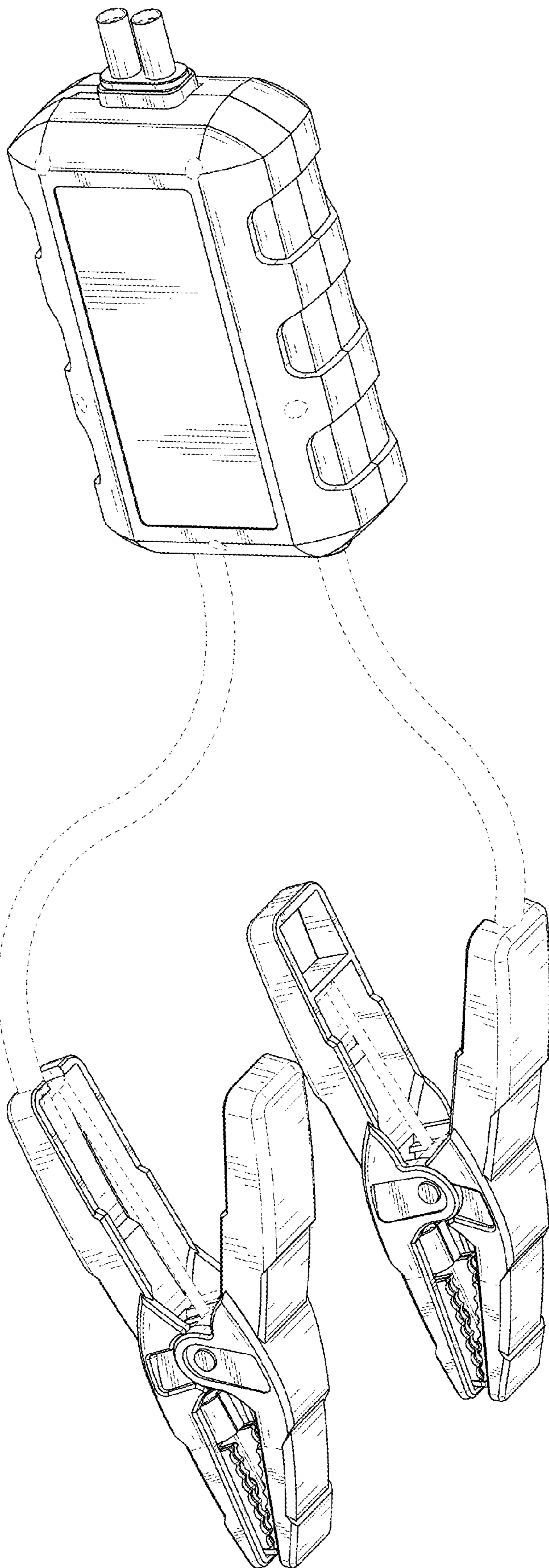


FIG. 2

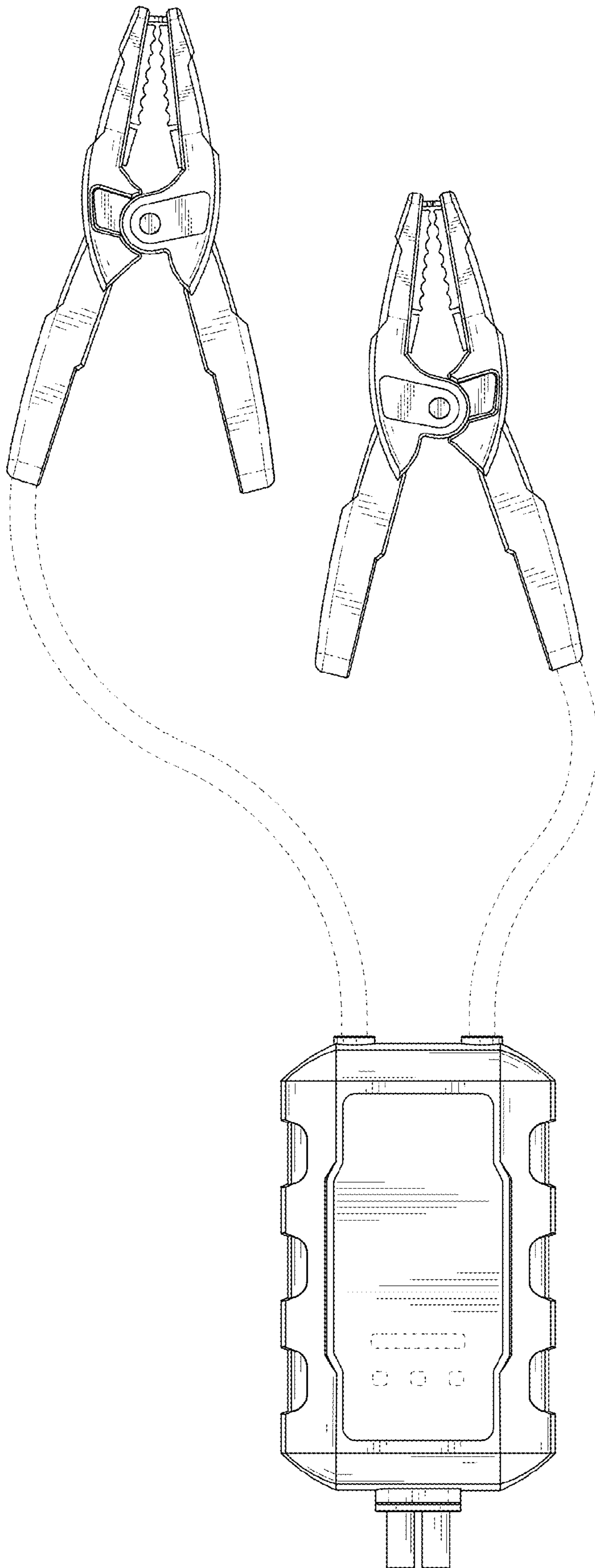


FIG. 3

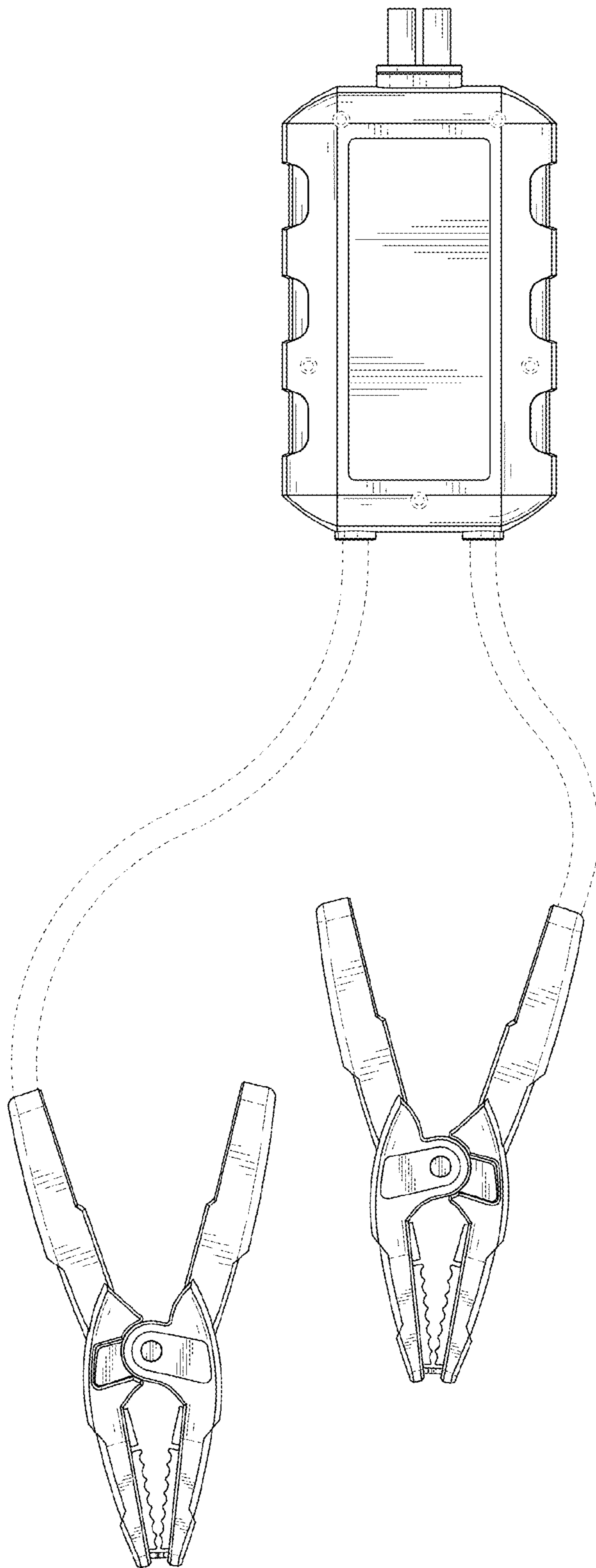


FIG. 4

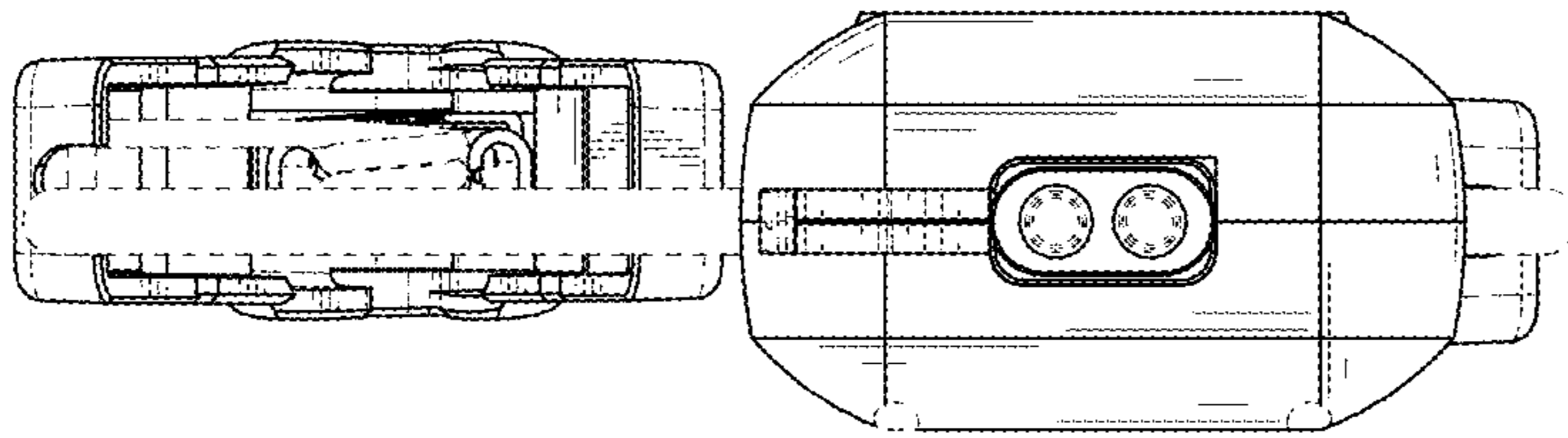


FIG. 5

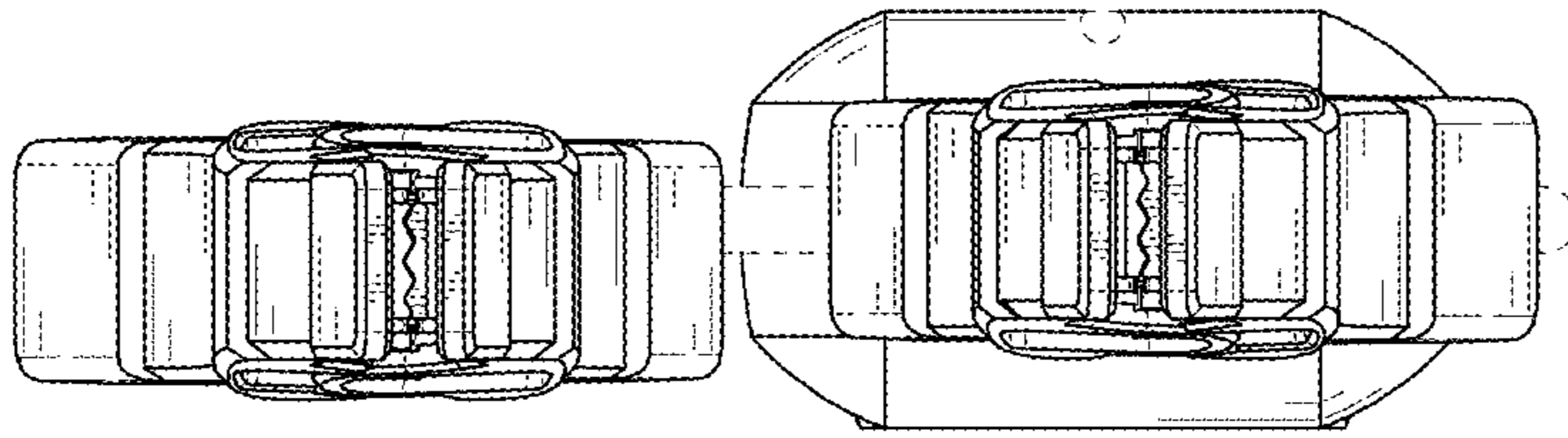


FIG. 6

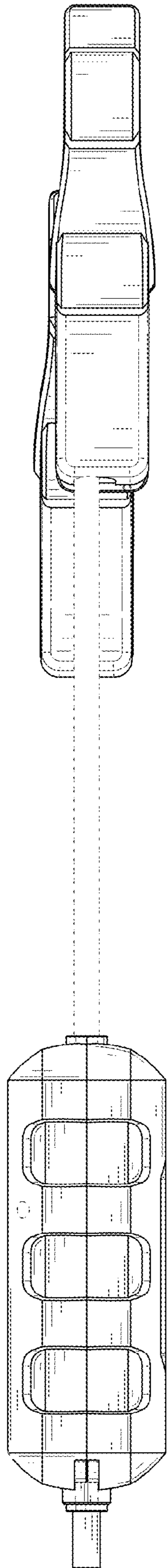


FIG. 7

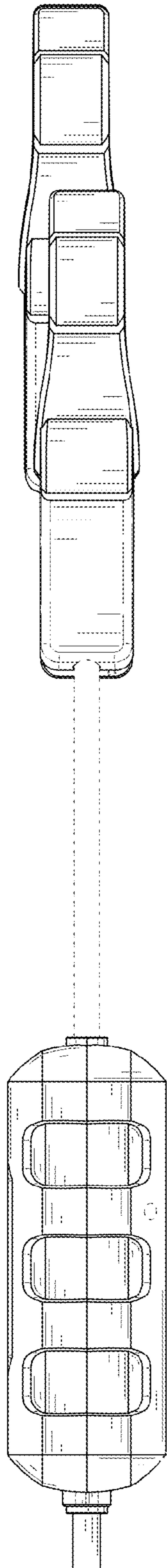


FIG. 8

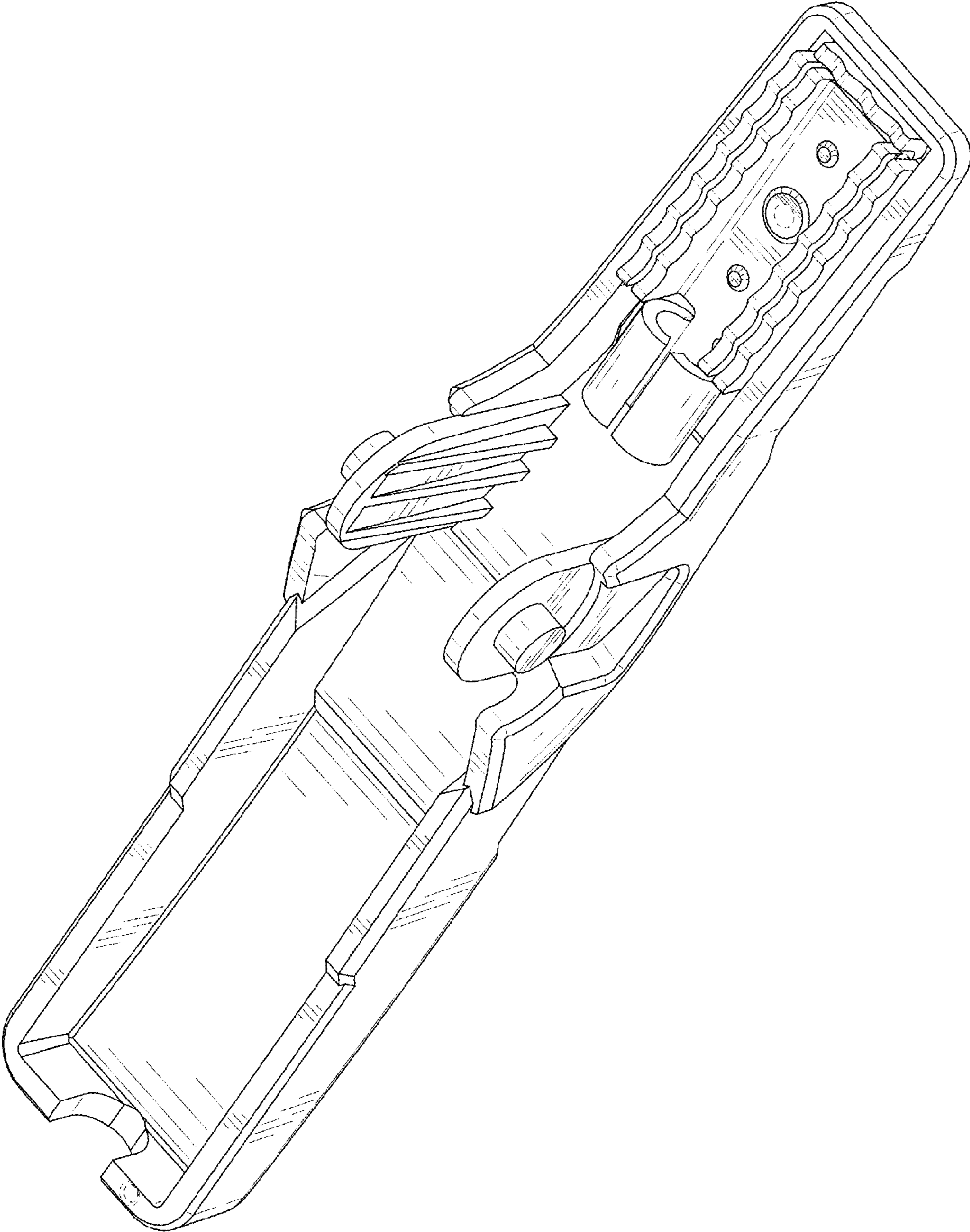


FIG. 9