



US00D983743S

(12) **United States Design Patent**  
**Chen**

(10) **Patent No.:** **US D983,743 S**

(45) **Date of Patent:** **\*\* Apr. 18, 2023**

(54) **WIRELESS CHARGER**  
(71) Applicant: **PLESON (HK) TECHNOLOGY LIMITED**, Hongkong (CN)  
(72) Inventor: **Xin Chen**, Hongkong (CN)  
(\*\*) Term: **15 Years**

D964,932 S \* 9/2022 Huang ..... D13/108  
D968,327 S 11/2022 Liu  
D968,328 S 11/2022 Liu  
D969,077 S 11/2022 Lin  
D971,835 S \* 12/2022 Akana ..... D13/108  
D972,502 S \* 12/2022 Akana ..... D13/108  
D975,013 S \* 1/2023 Huang ..... D13/108  
D975,014 S \* 1/2023 Chen ..... D13/108  
2022/0094202 A1 \* 3/2022 Karanikos ..... H02J 50/005

(21) Appl. No.: **29/862,109**  
(22) Filed: **Dec. 6, 2022**  
(51) **LOC (14) Cl.** ..... **13-02**  
(52) **U.S. Cl.**  
USPC ..... **D13/108**  
(58) **Field of Classification Search**  
USPC ..... D3/247; D13/103, 107-108, 110, 118,  
D13/183-184, 199; D14/251, 253, 432,  
D14/434; D22/108  
CPC ... A45F 5/00; H02J 50/005; H02J 7/02; H02J  
7/0044; H02J 2310/22; H02J 50/10; H02J  
50/402; H05K 1/181; Y02T 10/7072  
See application file for complete search history.

**FOREIGN PATENT DOCUMENTS**

CN 217115738 U \* 8/2022

\* cited by examiner

*Primary Examiner* — Shawn T Gingrich  
*Assistant Examiner* — Bryan N. Melvin

(56) **References Cited**

**U.S. PATENT DOCUMENTS**

D611,407 S \* 3/2010 Webb ..... D13/108  
D797,041 S \* 9/2017 Meyerhoffer ..... D13/107  
10,117,505 B1 \* 11/2018 Alvarez ..... A45F 5/00  
D884,625 S \* 5/2020 Li ..... D13/108  
D885,334 S \* 5/2020 Covington ..... D13/108  
D891,367 S \* 7/2020 Covington ..... D13/108  
D908,621 S \* 1/2021 Akana ..... D13/108  
D913,919 S 3/2021 Wang  
D963,570 S 9/2022 Liu

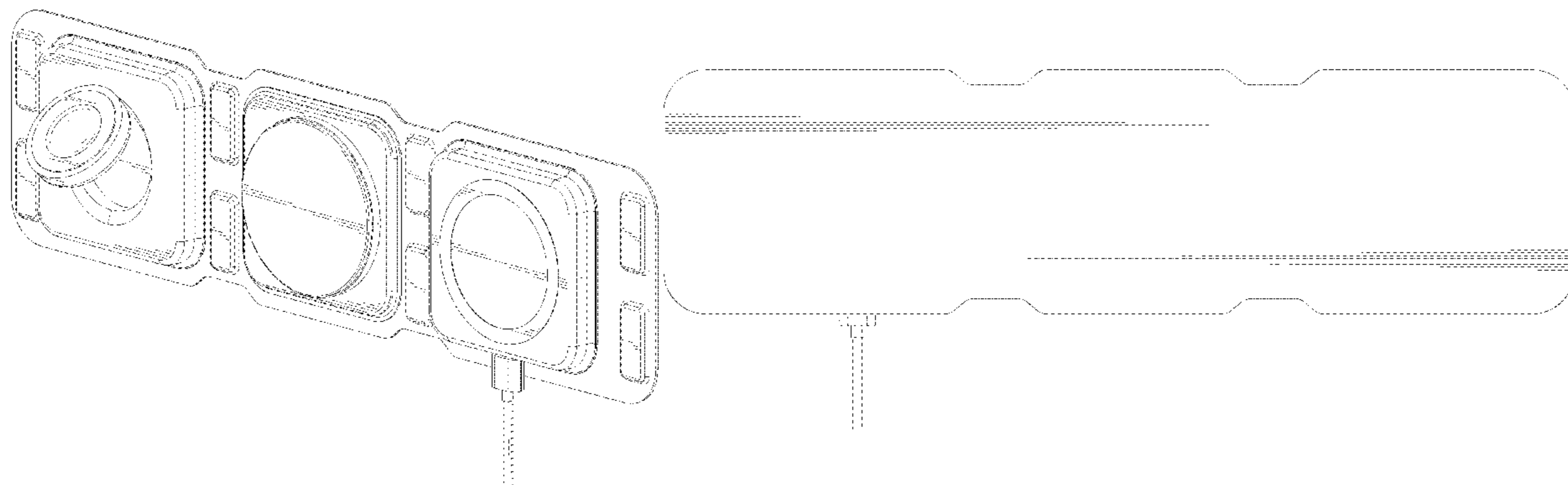
(57) **CLAIM**

The ornamental design for a wireless charger, as shown and described.

**DESCRIPTION**

FIG. 1 is a front, right, and top perspective view of a wireless charger, showing my new design;  
FIG. 2 is a front elevational view thereof;  
FIG. 3 is a rear elevational view thereof;  
FIG. 4 is a left elevational view thereof;  
FIG. 5 is a right elevational view thereof;  
FIG. 6 is a top plan view thereof;  
FIG. 7 is a bottom plan view thereof; and,  
FIG. 8 is perspective view of another state thereof.

**1 Claim, 8 Drawing Sheets**



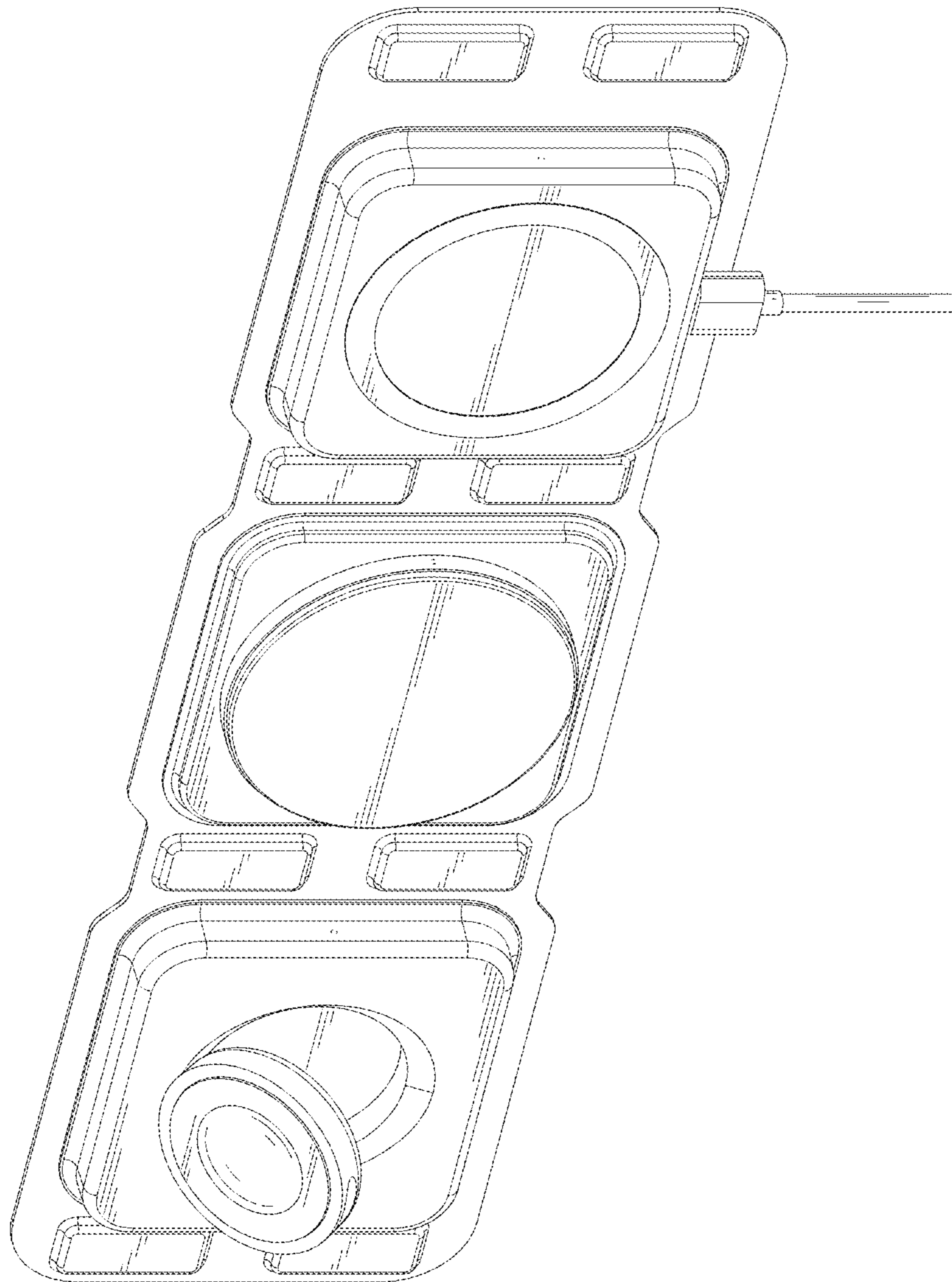


FIG.1

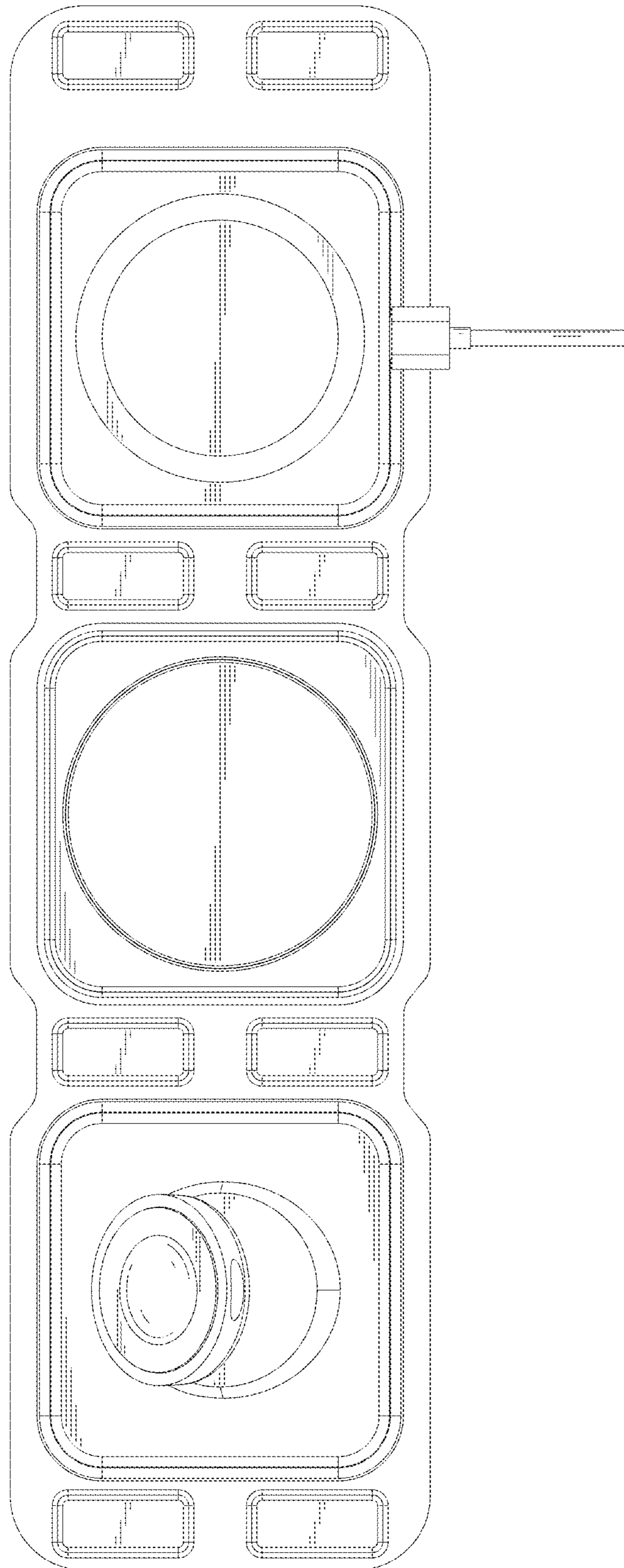


FIG. 2

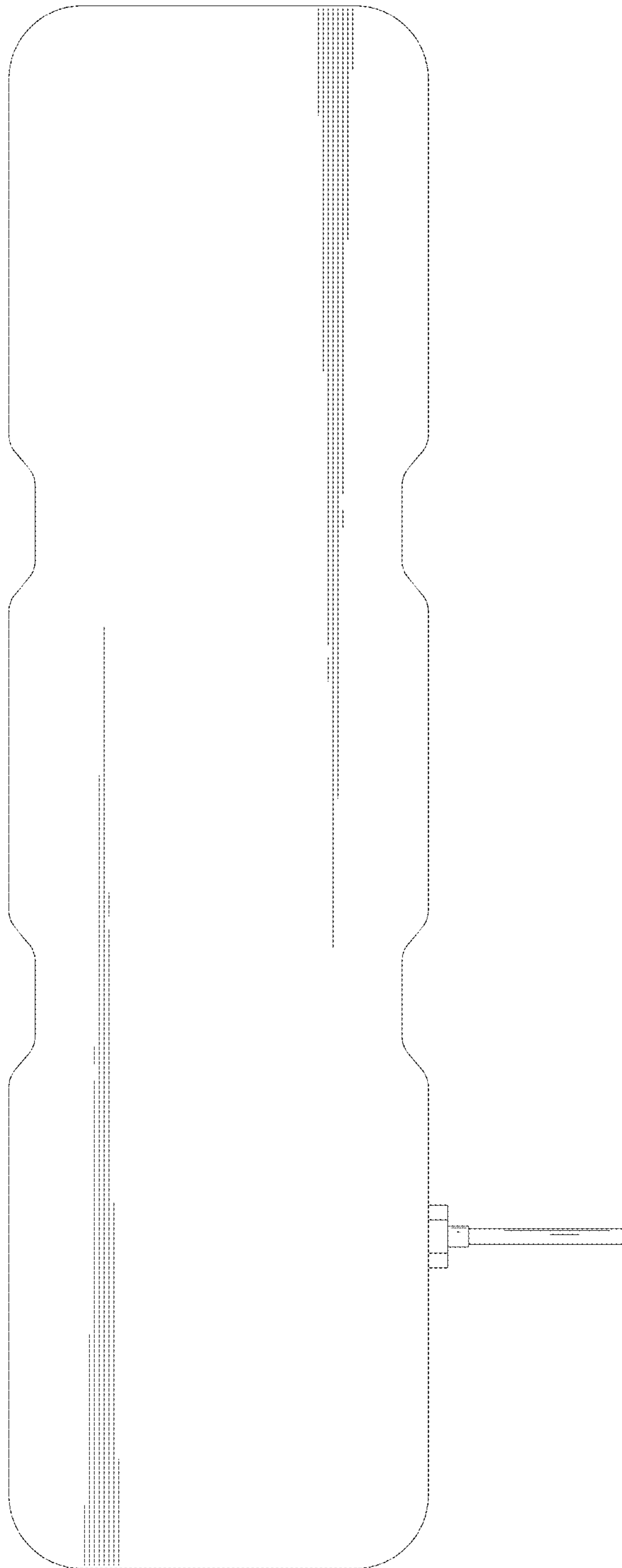


FIG. 3

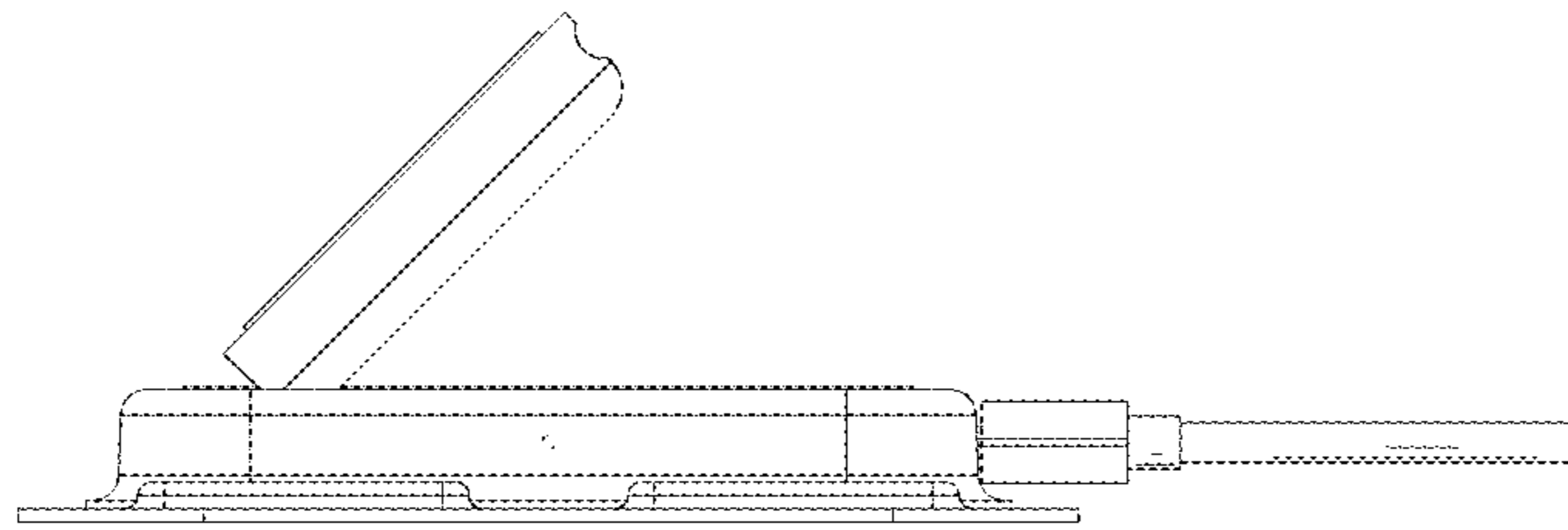


FIG. 4

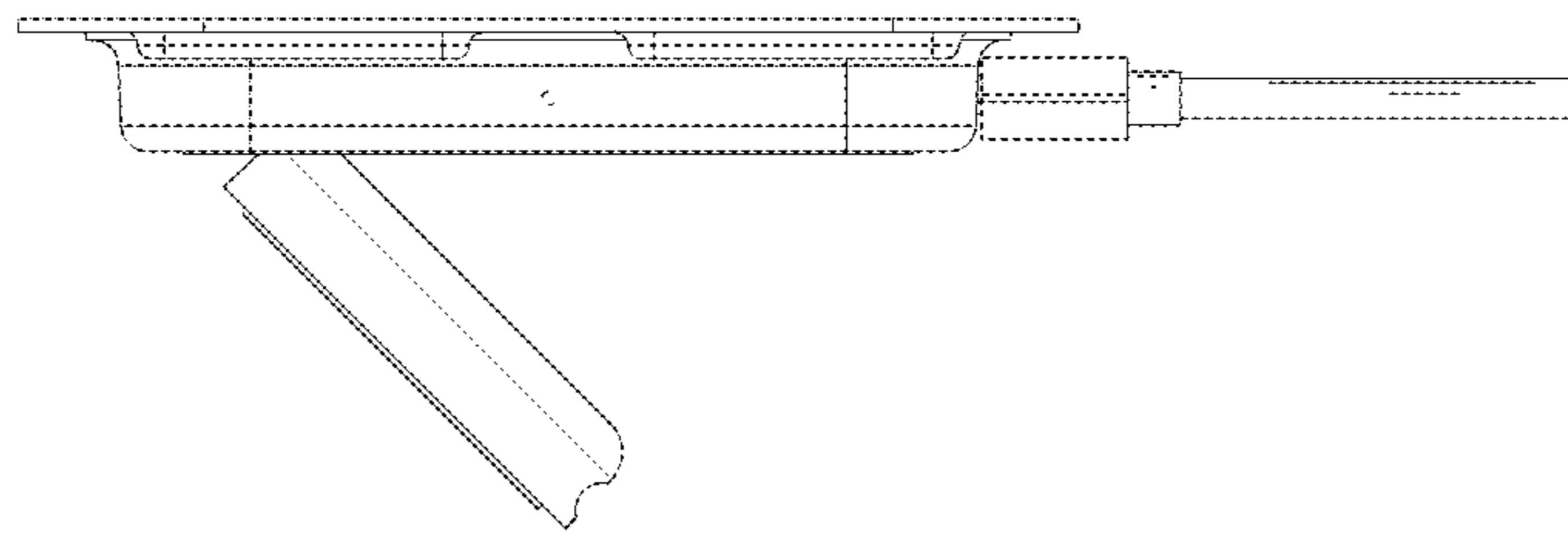


FIG. 5

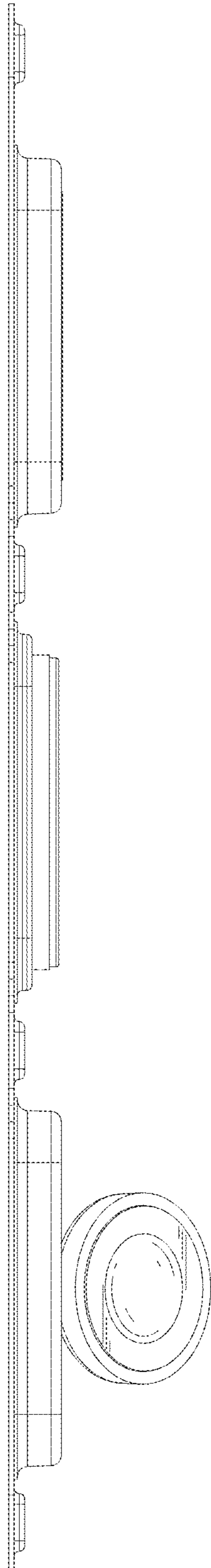


FIG.6

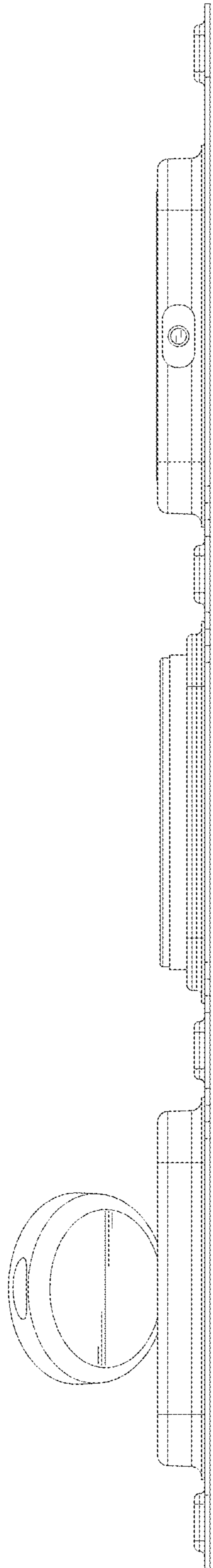


FIG. 7



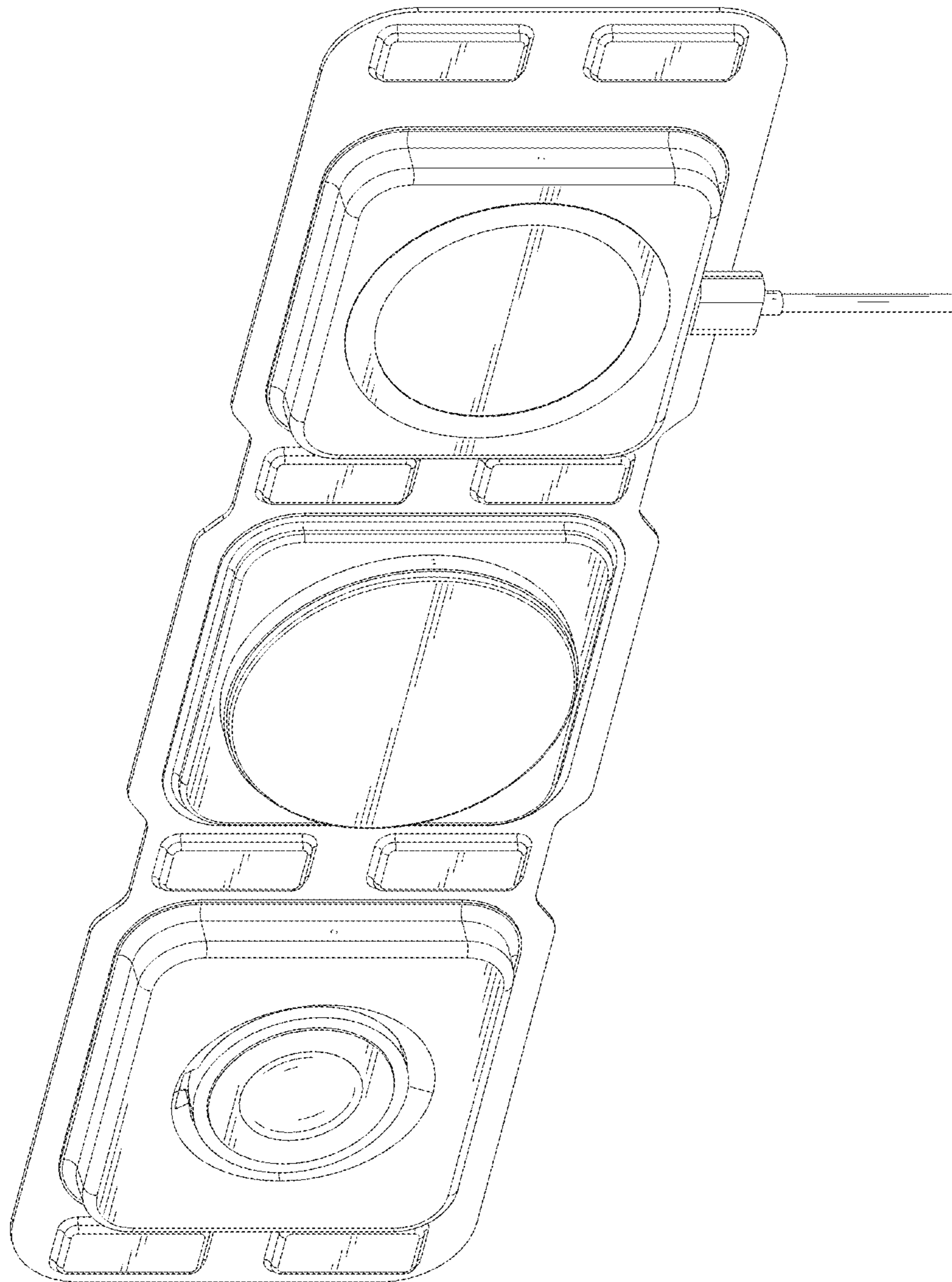


FIG. 8