



US00D983742S

(12) **United States Design Patent**
Chen

(10) **Patent No.:** **US D983,742 S**

(45) **Date of Patent:** **** Apr. 18, 2023**

(54) **MULTIFUNCTIONAL WIRELESS CHARGER**

(71) Applicant: **Xiaodong Chen**, Guangdong (CN)

(72) Inventor: **Xiaodong Chen**, Guangdong (CN)

(73) Assignee: **Shenzhen Leshi E-Commerce Co., Ltd.**, Shenzhen (CN)

(**) Term: **15 Years**

(21) Appl. No.: **29/850,240**

(22) Filed: **Aug. 18, 2022**

(30) **Foreign Application Priority Data**

Mar. 25, 2022 (CN) 202230162784.3

(51) **LOC (14) Cl.** **13-02**

(52) **U.S. Cl.**
USPC **D13/108**

(58) **Field of Classification Search**
USPC D13/102-108, 110, 118, 119; D14/251, D14/253, 432, 434
CPC H02J 7/02; H02J 7/0027; H02J 7/0021; H02J 7/0026; H02J 7/0044; H02J 7/0045; H02J 7/0054; H02J 50/80; H05K 5/00; H05K 5/0018; H02G 3/10; B60L 53/00; B60L 53/10; B60L 53/12; B60L 53/14; B60L 53/16; B60L 53/18; B60L 53/31; B60L 53/50; H01M 10/44; H01M 10/46
See application file for complete search history.

(56) **References Cited**

U.S. PATENT DOCUMENTS

D776,053 S *	1/2017	Barnard	D13/108
D804,483 S *	12/2017	Minoli	D14/434
D905,632 S	12/2020	Nauroy		
D926,126 S *	7/2021	DeMaio	D13/108
D931,209 S *	9/2021	Hahn	D13/108
D931,211 S *	9/2021	Cheng	D13/108

D936,567 S	11/2021	Wang		
D938,353 S	12/2021	Gan		
D944,198 S *	2/2022	Wu	D13/108
D955,330 S *	6/2022	Jiang	D13/108
D956,692 S *	7/2022	Turksu	D14/447
D961,507 S *	8/2022	Lai	D13/108
D962,167 S *	8/2022	Spinella	D13/119
D962,861 S *	9/2022	Wang	D13/108
D973,588 S *	12/2022	Wang	D13/108
D975,639 S *	1/2023	Wang	D13/108
D976,207 S *	1/2023	Wu	D13/108
D976,822 S *	1/2023	Li	D13/108
D976,824 S *	1/2023	Fan	D13/108

OTHER PUBLICATIONS

Amazon.com: Woruda Charger Station . . . Date first available of Jun. 7, 2022. Retrieved from the internet at <<https://www.amazon.com/dp/B0B14P8TBS/>>, Dec. 7, 2022. 1 page. (Year: 2022).*

* cited by examiner

Primary Examiner — Christy Nemeth

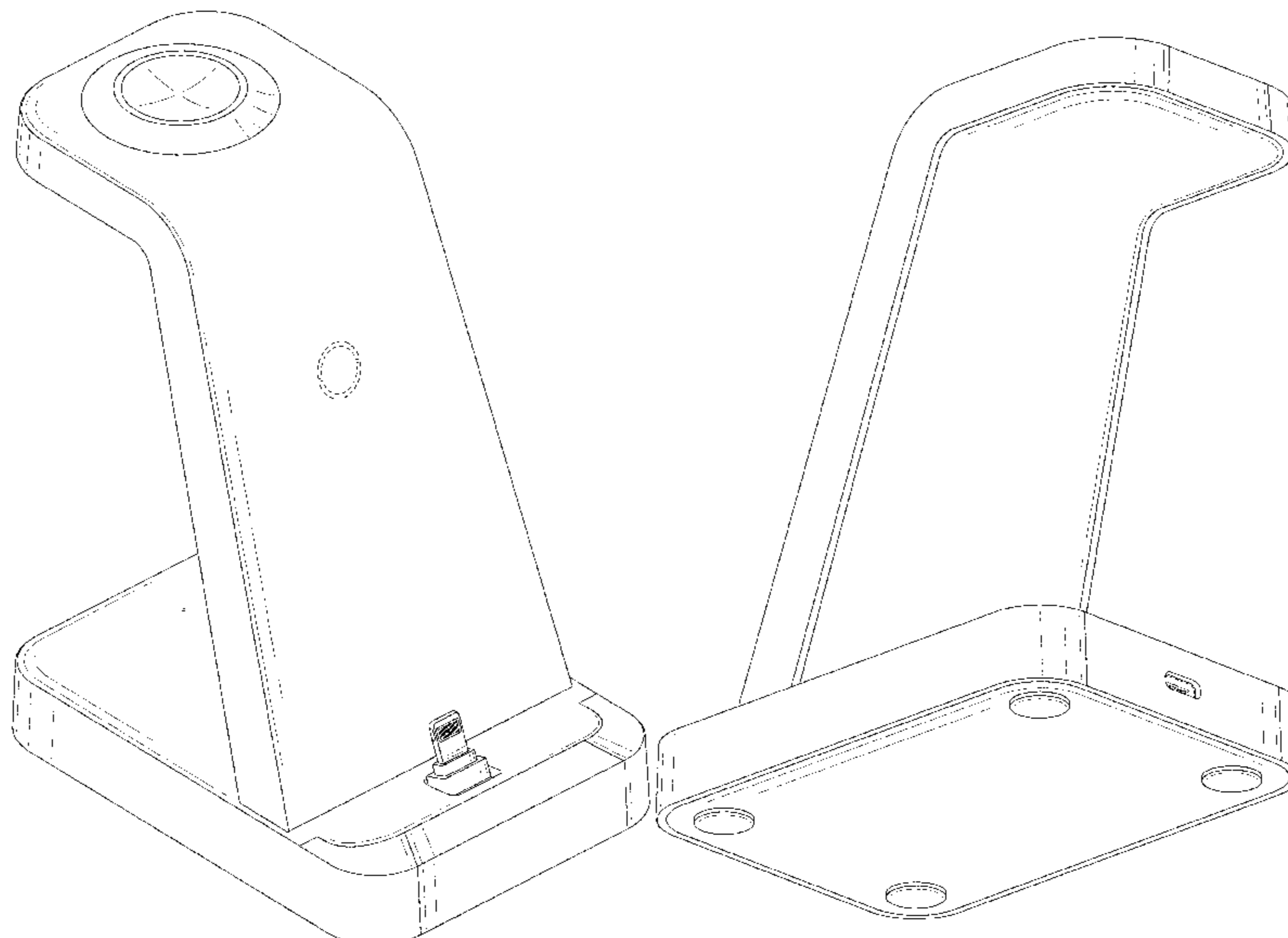
(57) **CLAIM**

The ornamental design for a multifunctional wireless charger, as shown and described.

DESCRIPTION

FIG. 1 is a perspective view of a multifunctional wireless charger showing my new design;
FIG. 2 is a front elevational view thereof;
FIG. 3 is a rear elevational view thereof;
FIG. 4 is a left side elevational view thereof;
FIG. 5 is a right side elevational view thereof;
FIG. 6 is a top plan view thereof;
FIG. 7 is a bottom plan view thereof; and,
FIG. 8 is another perspective view thereof.
The broken lines throughout the drawing figures depict portions of the multifunctional wireless charger that form no part of the claimed design.

1 Claim, 8 Drawing Sheets



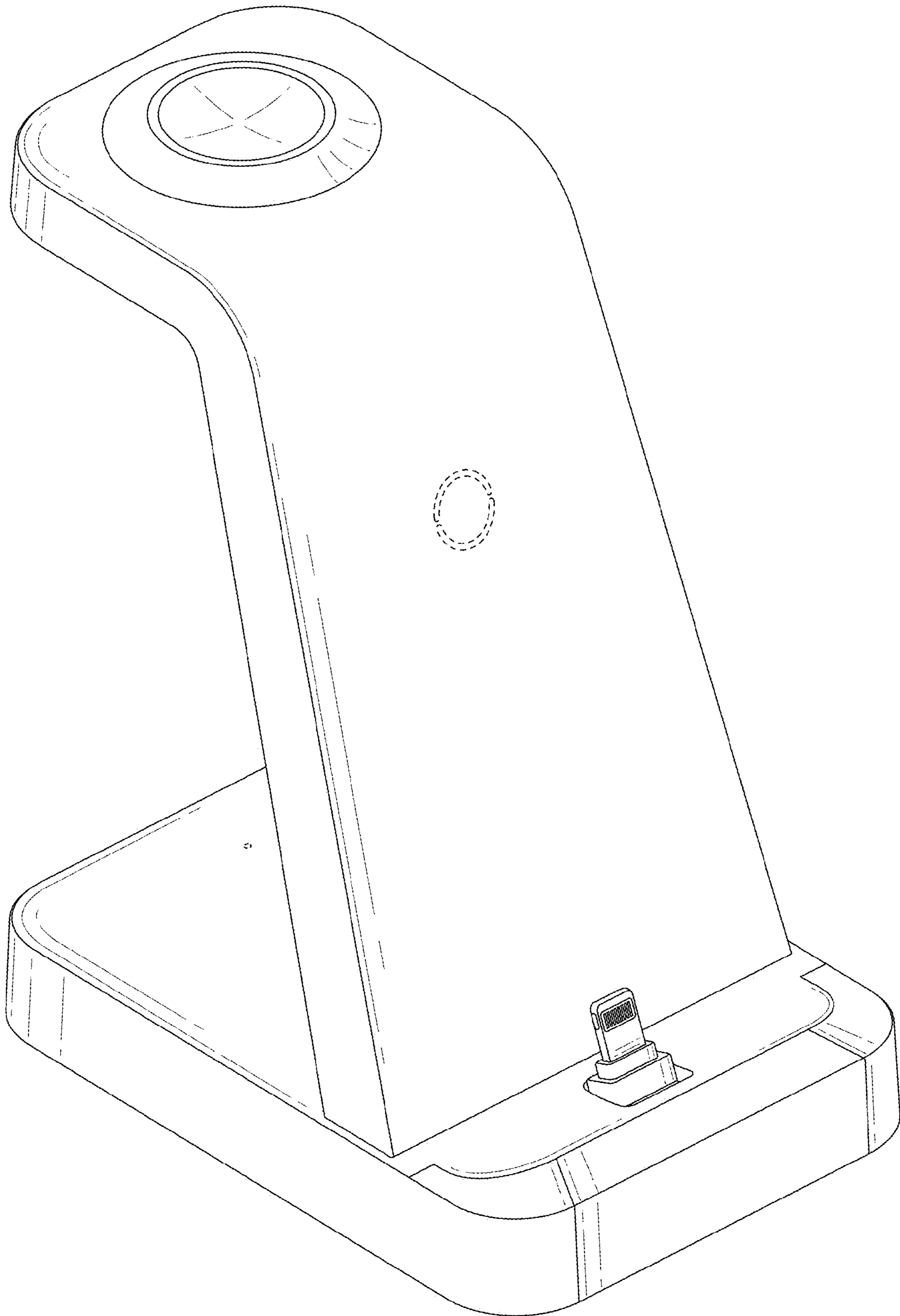


FIG.1

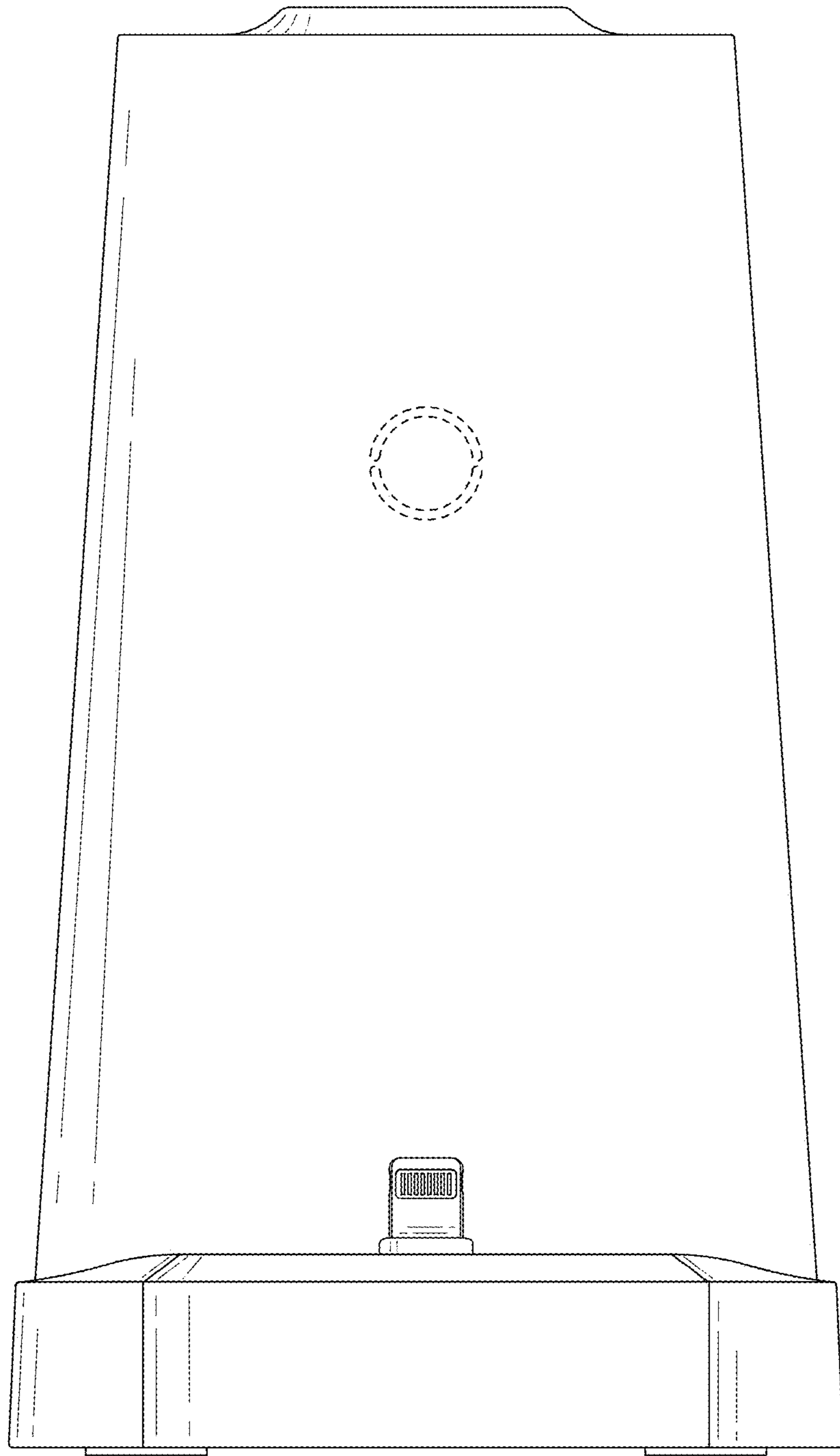


FIG.2

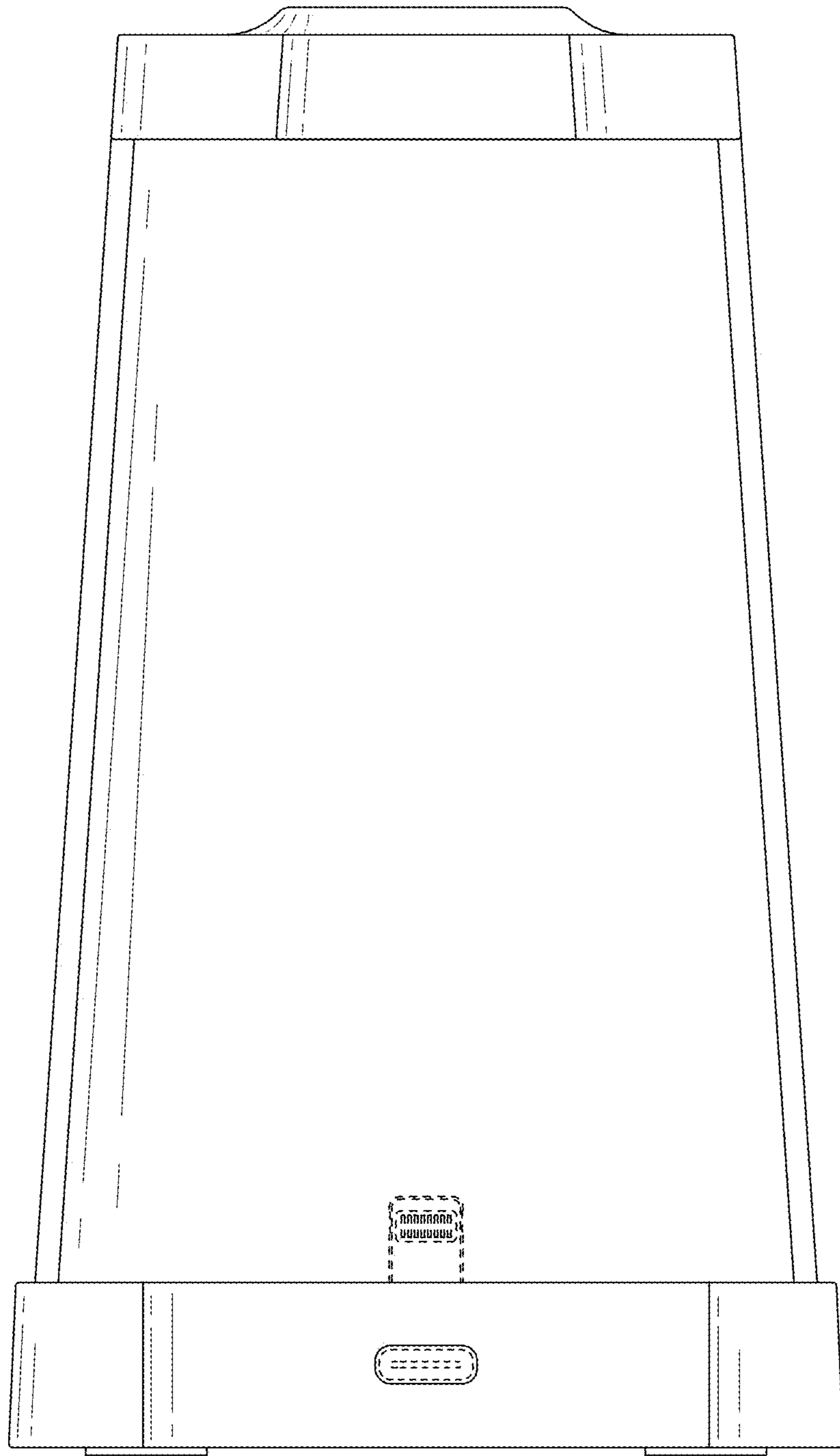


FIG. 3

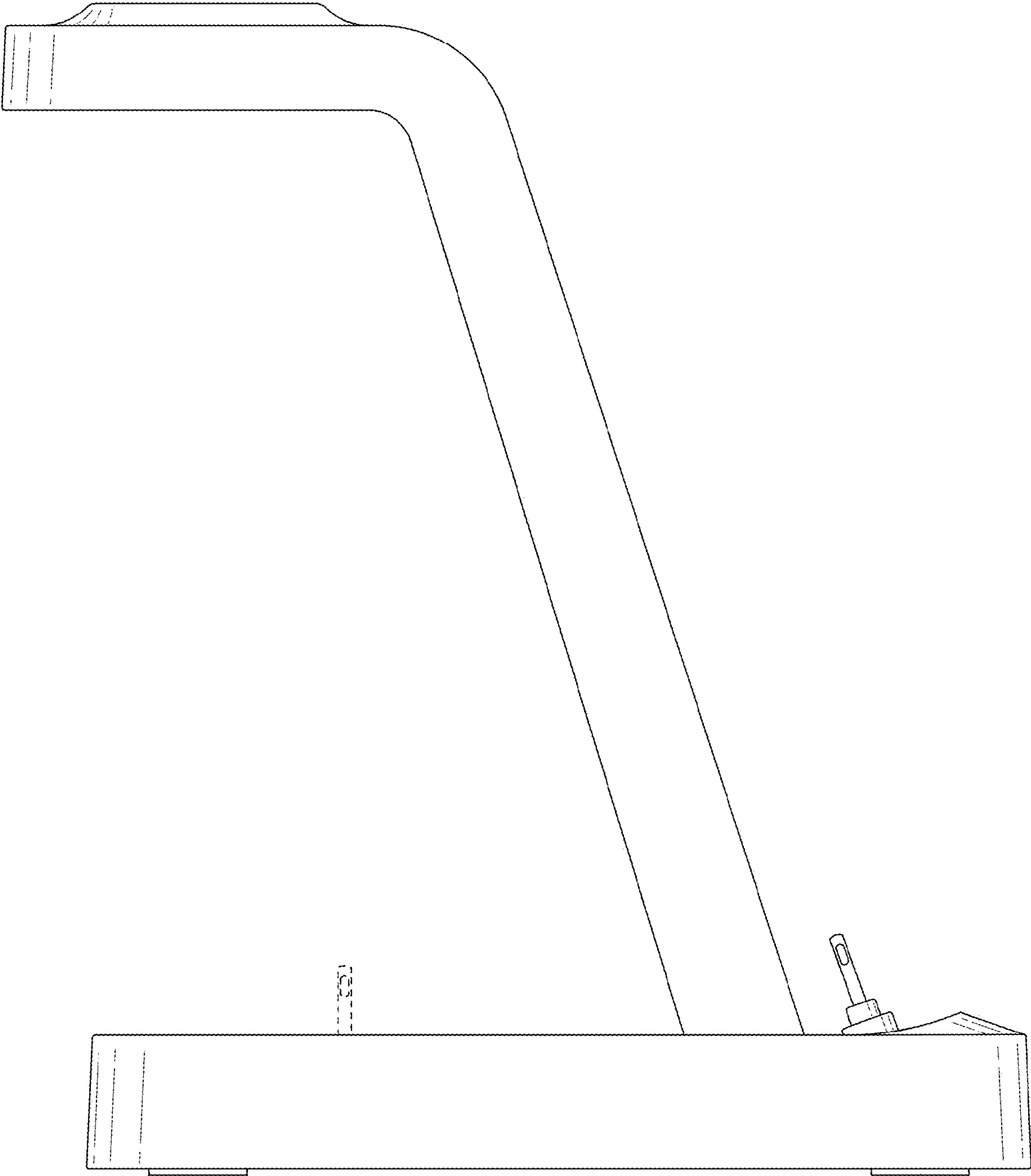


FIG.4

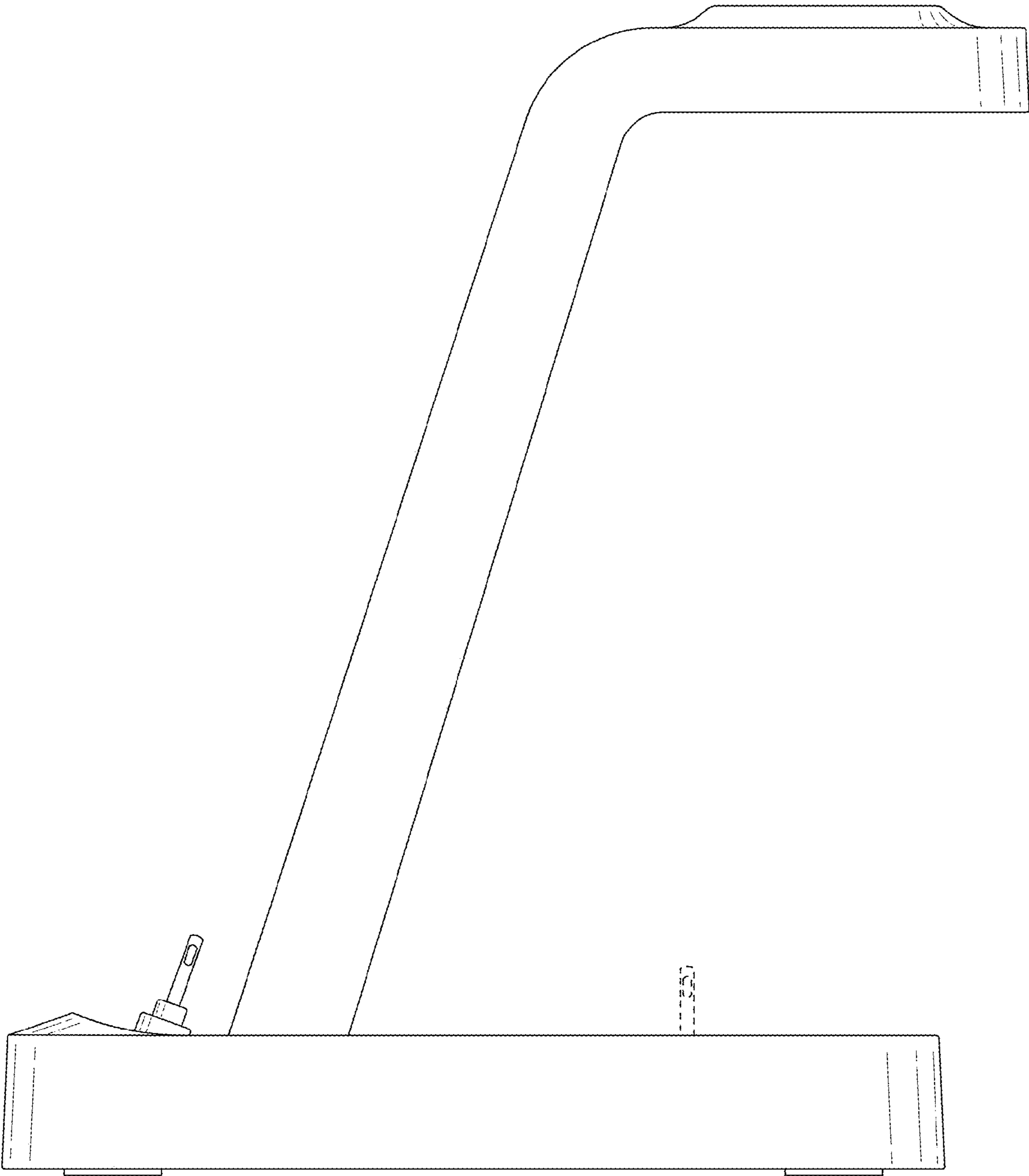


FIG.5

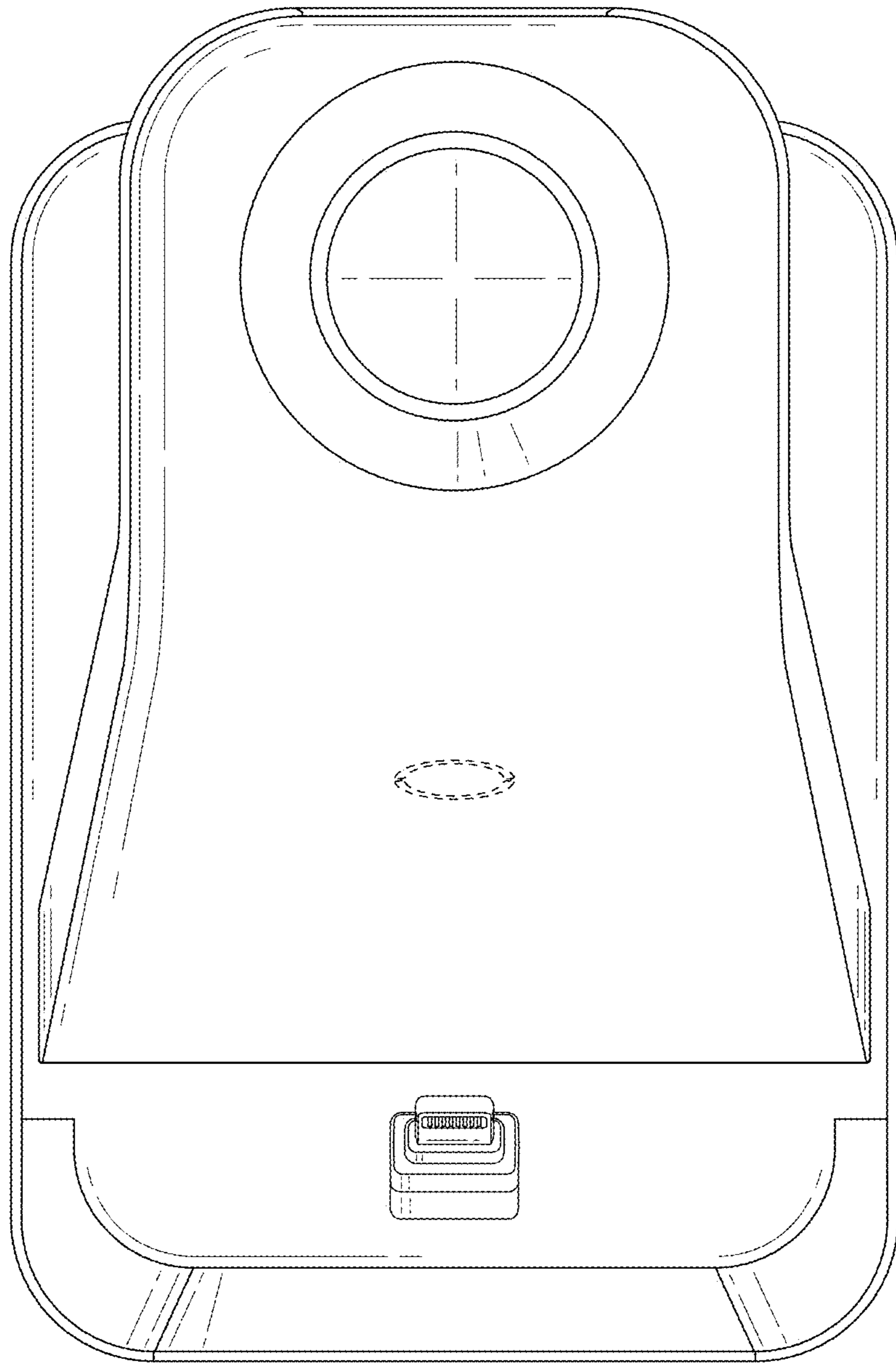


FIG.6

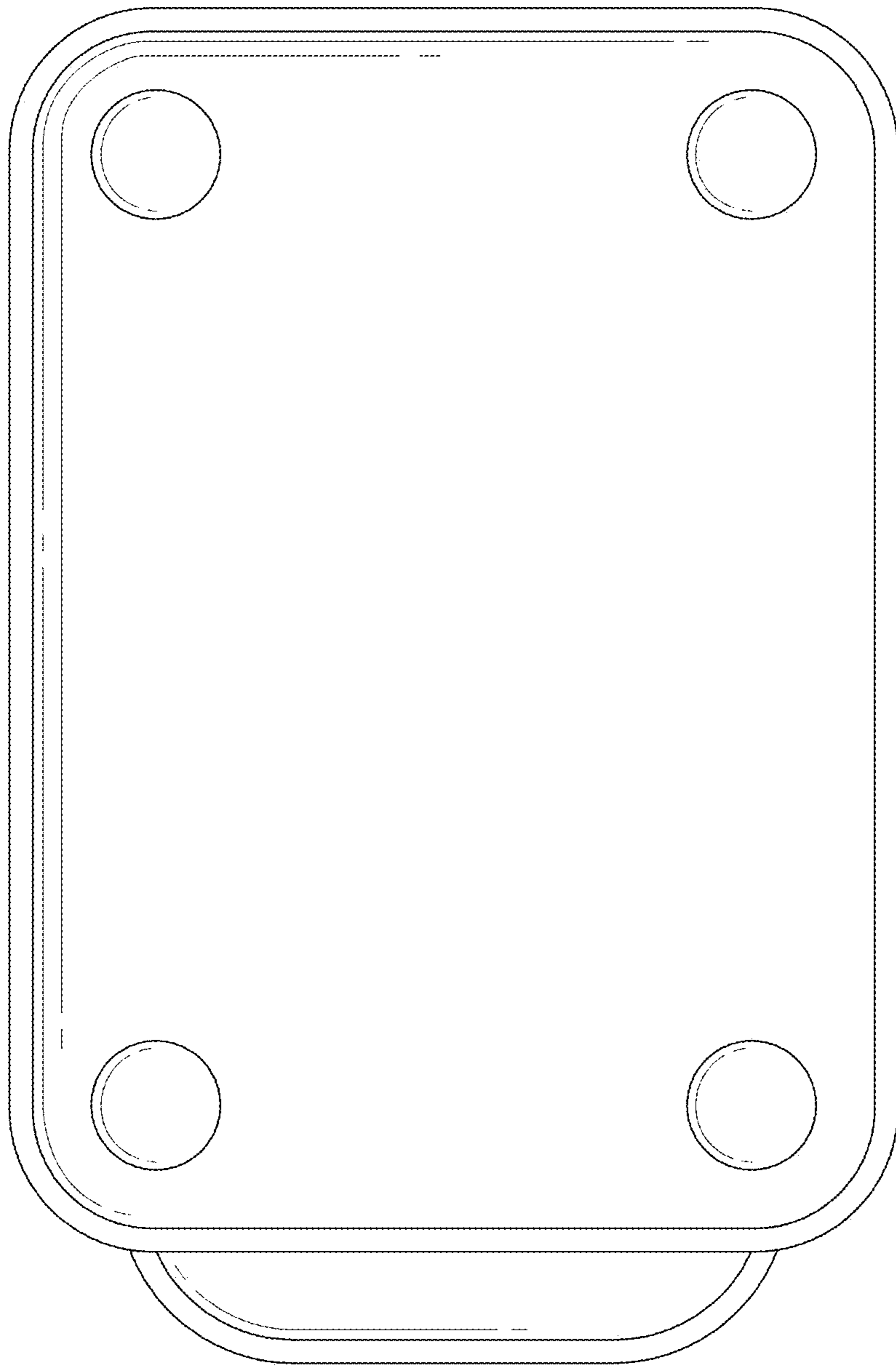


FIG. 7

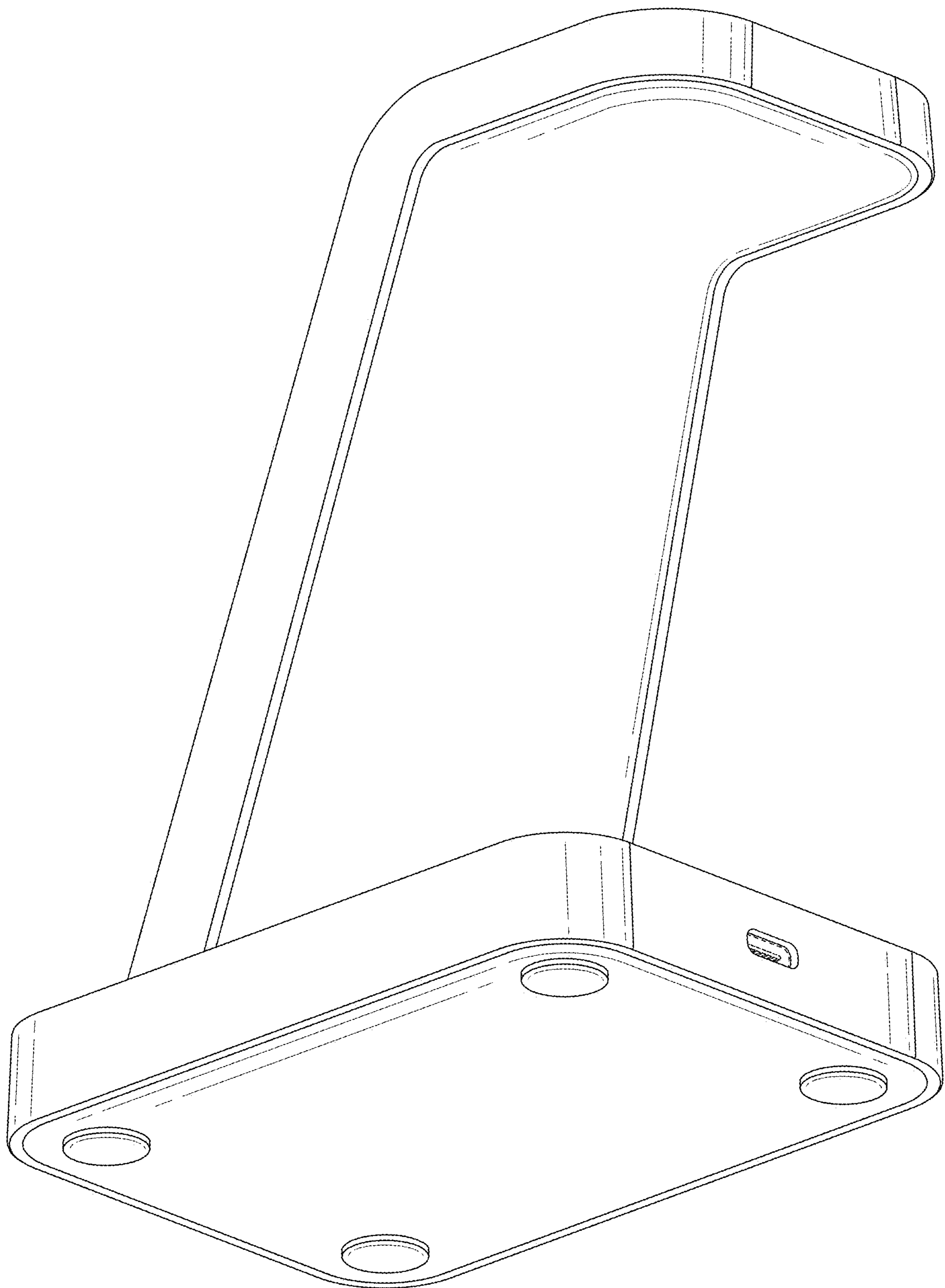


FIG. 8