



US00D983740S

(12) **United States Design Patent**
Reimann et al.

(10) **Patent No.:** **US D983,740 S**
(45) **Date of Patent:** **** Apr. 18, 2023**

(54) **CHARGING CASE**

FOREIGN PATENT DOCUMENTS

(71) Applicant: **Google LLC**, Mountain View, CA (US)

CN 305089686 S 4/2019
CN 305299378 S 8/2019

(72) Inventors: **Gina Reimann**, Los Gatos, CA (US);
Luke David Mastrangelo, San Mateo, CA (US); **Maj Isabelle Olsson**, Sunnyvale, CA (US); **Idil Girard**, Santa Clara, CA (US); **Peter Michael Cazalet**, Los Gatos, CA (US); **Benjamin Caleb Carroll**, San Francisco, CA (US); **Shameem Hameed**, San Jose, CA (US); **Sandeep Singh Waraich**, Mountain View, CA (US)

(Continued)

OTHER PUBLICATIONS

“Google Earbuds”. Found online Oct. 27, 2022 at in.mashable.com. Reference dated Oct. 15, 2019. Retrieved from https://in.mashable.com/tech/7637/google-just-unveiled-sleek-new-pixel-buds. (Year: 2019).*

(Continued)

Primary Examiner — Kendra Leslie Hamilton
Assistant Examiner — Amanda Christensen

(73) Assignee: **GOOGLE LLC**, Mountain View, CA (US)

(74) *Attorney, Agent, or Firm* — Leason Ellis LLP

(**) Term: **15 Years**

(57) **CLAIM**

(21) Appl. No.: **29/820,308**

The ornamental design for a charging case, as shown and described.

(22) Filed: **Dec. 21, 2021**

Related U.S. Application Data

DESCRIPTION

(60) Division of application No. 29/730,550, filed on Apr. 6, 2020, now Pat. No. Des. 955,982, which is a (Continued)

(51) **LOC (14) Cl.** **13-02**

(52) **U.S. Cl.**
USPC **D13/108; D3/294**

(58) **Field of Classification Search**
USPC D13/103, 107, 108, 118, 119, 199;
D3/201, 218, 273, 276, 294, 295, 299;
D14/205, 223, 240, 432, 434, 439
(Continued)

This application is related to U.S. application Ser. No. 29/730,537, entitled Earbud Charging Case, which is concurrently filed herewith, and the disclosure of which is incorporated herein by reference. This application is also related to U.S. application Ser. No. 29/709,173, entitled Wireless Earbud, and U.S. application Ser. No. 29/709,177, entitled Charging Case, both filed on Oct. 11, 2019, the disclosures all of which are incorporated herein by reference.

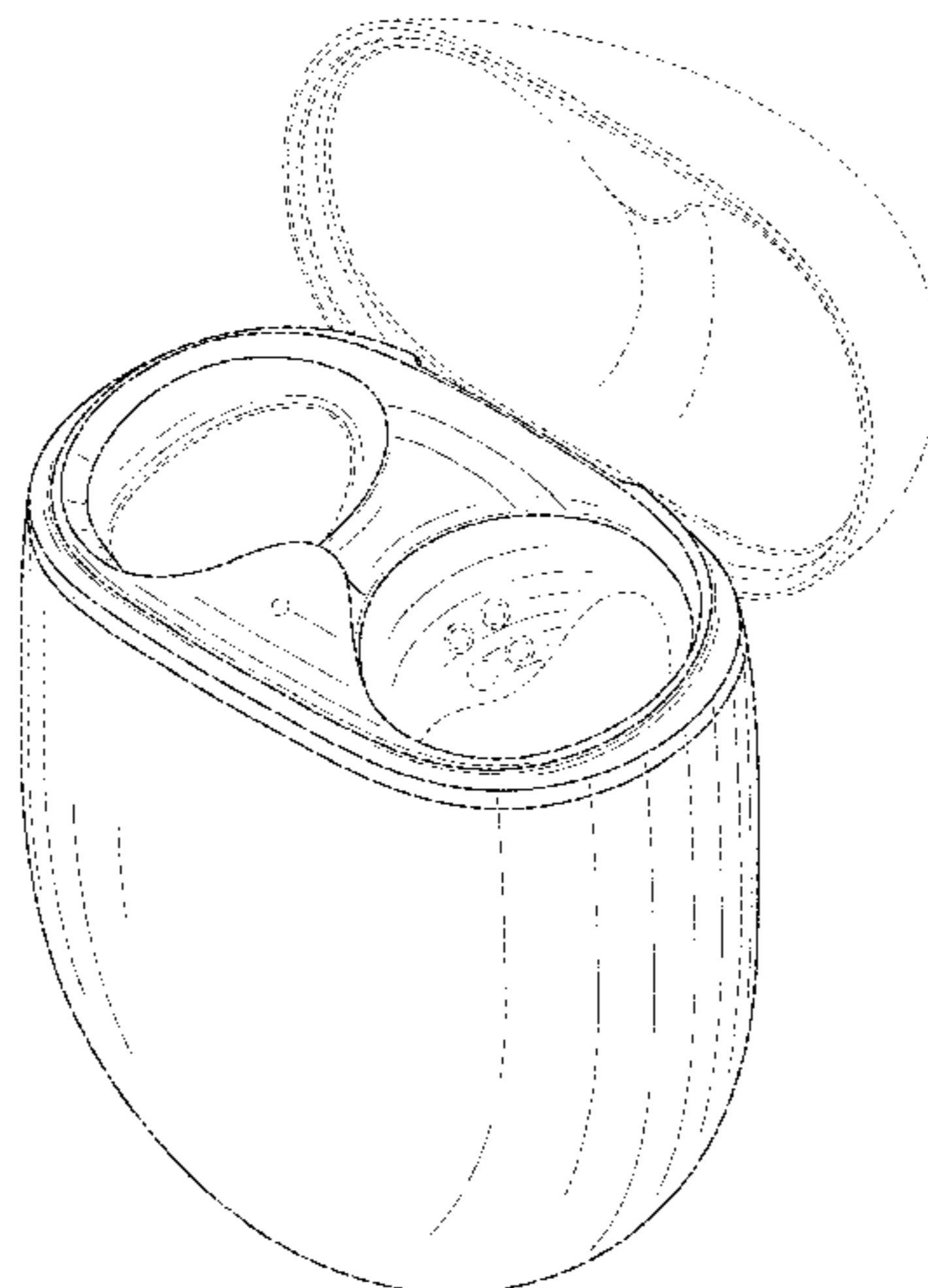
FIG. 1 is a front perspective view of the charging case according to our new design;
FIG. 2 is a front elevation view thereof;
FIG. 3 is a rear elevation view thereof;
FIG. 4 is a left side elevation view thereof;
FIG. 5 is a right side elevation view thereof;
FIG. 6 is a top plan view thereof; and,
FIG. 7 is a bottom plan view thereof.

(Continued)

(56) **References Cited**

U.S. PATENT DOCUMENTS

D806,388 S * 1/2018 Akana D3/294
D876,526 S 2/2020 Fuller
(Continued)



The broken lines shown in the drawings illustrate portions of the charging case that form no part of the claimed design.

1 Claim, 5 Drawing Sheets

JP	1557844 S	9/2016
JP	1605118 S	5/2018
JP	1646135 S	11/2019
JP	1670157 S	10/2020
KR	300978623 S	10/2018

OTHER PUBLICATIONS

Related U.S. Application Data

continuation-in-part of application No. 29/709,192, filed on Oct. 11, 2019, now Pat. No. Des. 932,428.

(58) **Field of Classification Search**

CPC . A45C 2011/001; B65D 43/16; H04R 1/1025
See application file for complete search history.

(56) **References Cited**

U.S. PATENT DOCUMENTS

D878,045 S	3/2020	Akana et al.	
D902,588 S *	11/2020	Zhang	D3/294
D904,023 S	12/2020	Wang	
D904,025 S	12/2020	Ma	
D904,755 S	12/2020	Birger	
D911,027 S	2/2021	Liang et al.	
D911,028 S	2/2021	Lee	
D911,944 S	3/2021	Gao	
D914,591 S *	3/2021	Ganapathy	D13/107
D920,236 S	5/2021	Xie	
D942,753 S *	2/2022	Zhou	D3/274
D944,197 S *	2/2022	Li	D13/108
D948,484 S *	4/2022	Zhang	D14/223
D955,982 S *	6/2022	Reimann	D13/108
D957,818 S *	7/2022	Liu	D3/294
D958,117 S *	7/2022	Zhang	D3/274
D958,532 S *	7/2022	Ekman	D3/294
2020/0068285 A1	8/2020	Dang et al.	
2020/0233046 A1	12/2020	Ding et al.	
2021/0058687 A1	2/2021	Liu	
2021/0112672 A1	4/2021	Cazalet et al.	
2021/0337303 A1 *	10/2021	Macomber	H04R 1/10
2021/0345031 A1 *	11/2021	DeMaio	H04R 1/1016
2022/0279263 A1 *	9/2022	Le	H04R 1/1016

FOREIGN PATENT DOCUMENTS

CN	305450204 S	11/2019
CN	201930334128.5	* 12/2019

“Bluetooth Earbuds”. Found online Dec. 10, 2020 at amazon.com. Reference dated Feb. 18, 2019. Retrieved from https://www.amazon.com/Bluetooth-Bluetooth-Headphones-Sweatproof-Earphones/dp/B07S93YL9K/ref=pd_day0_23_1/146-8590985-5717053. (Year: 2019).*

“Apple AirPods (2nd Generation) Wireless Earbuds”. Found online Jul. 14, 2022 at amazon.com. Reference dated Mar. 20, 2019. Retrieved from <https://www.amazon.com/Apple-AirPods-Charging-Latest-Model/dp/B07PXC1Q>. (Year: 2019).*

“Lala—Stone Headphone”. Found online Dec. 23, 2020 at behance.net. Reference dated May 25, 2018. Retrieved from <https://www.behance.net/gallery/66033095/Stone-headphone>. (Year: 2018).

“Vivo Nex 3 5G and TWS Earphone”. Found online Dec. 23, 2020 at sparrowsnews.com. Reference dated Sep. 16, 2019. Retrieved from <https://sparrowsnews.com/2019/09/16/vivo-nex-3-5g-and-tws-earphone-official-introduction/>. (Year: 2019).

“Google Pixel Earbuds 2”. Found online Dec. 4, 2020 at androidauthority.com. Reference dated Oct. 15, 2019. Retrieved from <https://www.androidauthority.com/google-pixel-buds-2-review-1040861/>. (Year: 2019).

Airpods Case sold by Apple at least as early as Aug. 2019_9 pages_ [online], [retrieved on Apr. 16, 2020], Retrieved ram the internet <URL: <https://www.bestbuy.com/site/apple-airpods-wireless-charging-case-white/6296120.p?skuId=6296120>>_.

Roy, Jacqueline et al. “Apple reveals new AirPods Pro, available Oct. 30.” Oct. 28, 2019. 9 pages. Retrieved ram the Internet: <<https://www.apple.com/newsroom/2019/10/apple-reveals-new-airpods-pro-available-october-30/>>_.

Design U.S. Appl. No. 29/709,173, filed Oct. 11, 2019_52 pages_.

Design U.S. Appl. No. 29/709,177, filed Oct. 11, 2019_22 pages_.

Design U.S. Appl. No. 29/709,192, filed Oct. 11, 2019_58 pages_.

Design U.S. Appl. No. 29/730,537, filed Apr. 6, 2020. 51 pages_.

“Nikkei Trendy.” Jan. 2018, No. 425, Dec. 4, 2017, p. 26.

Wego Co., LTD_ From Website for Japanese Online Clothing Retail Store. 2019. 6 pages.

“Tokusengai.” New Products Mar. 2017, No. 3, vol. 39, Feb. 3, 2017, p. 109_.

* cited by examiner



FIG. 1

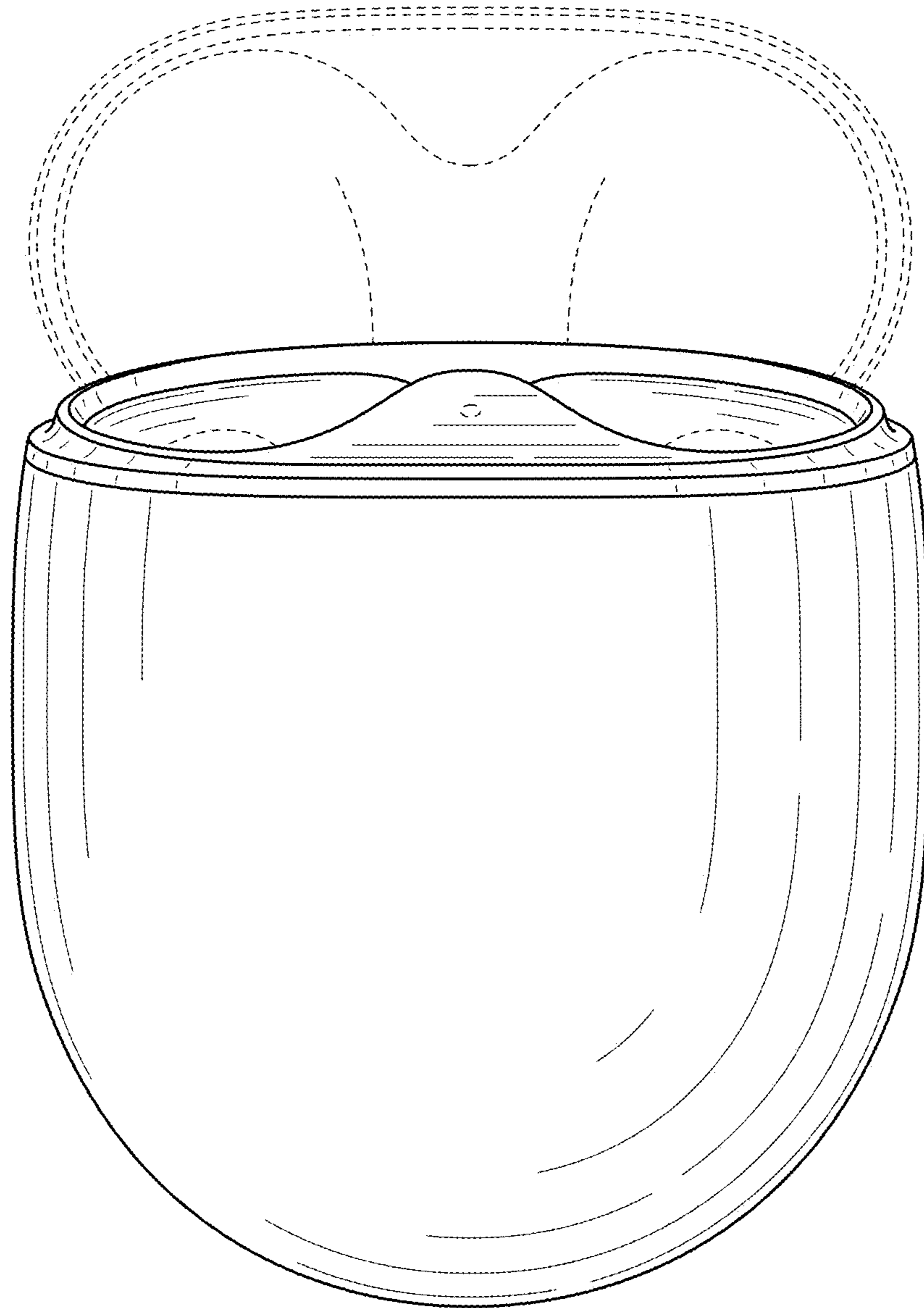


FIG. 2

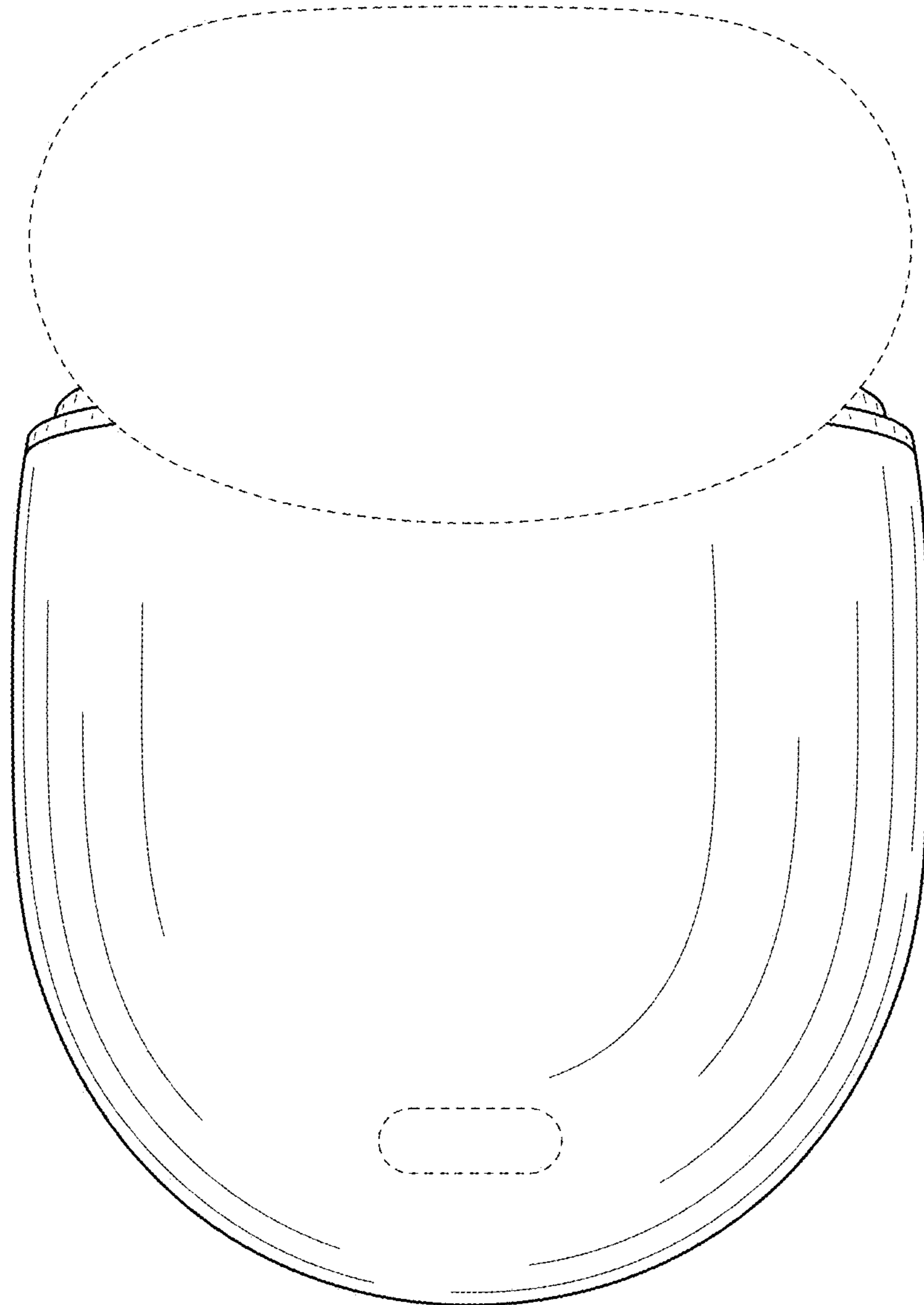


FIG. 3

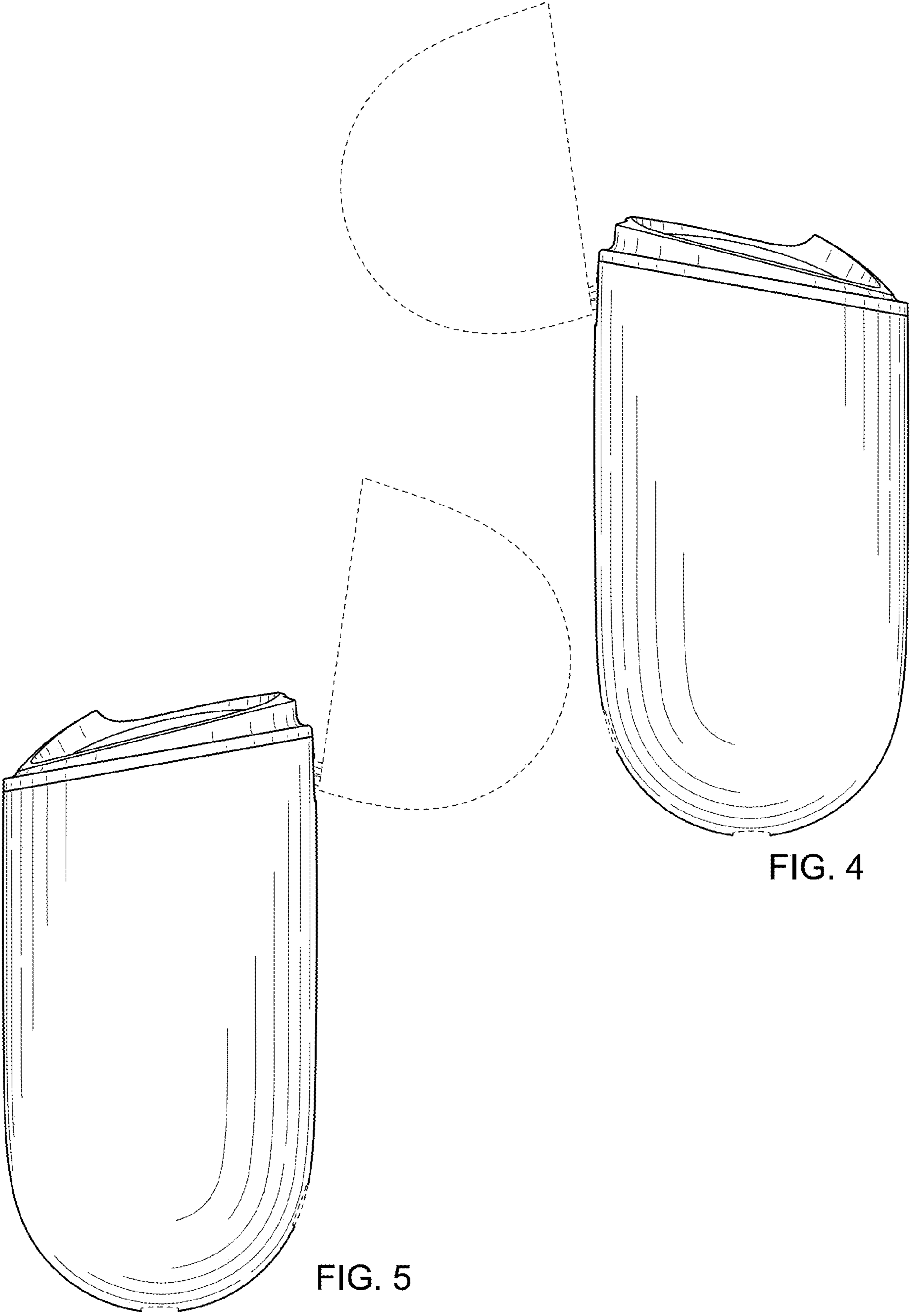


FIG. 4

FIG. 5

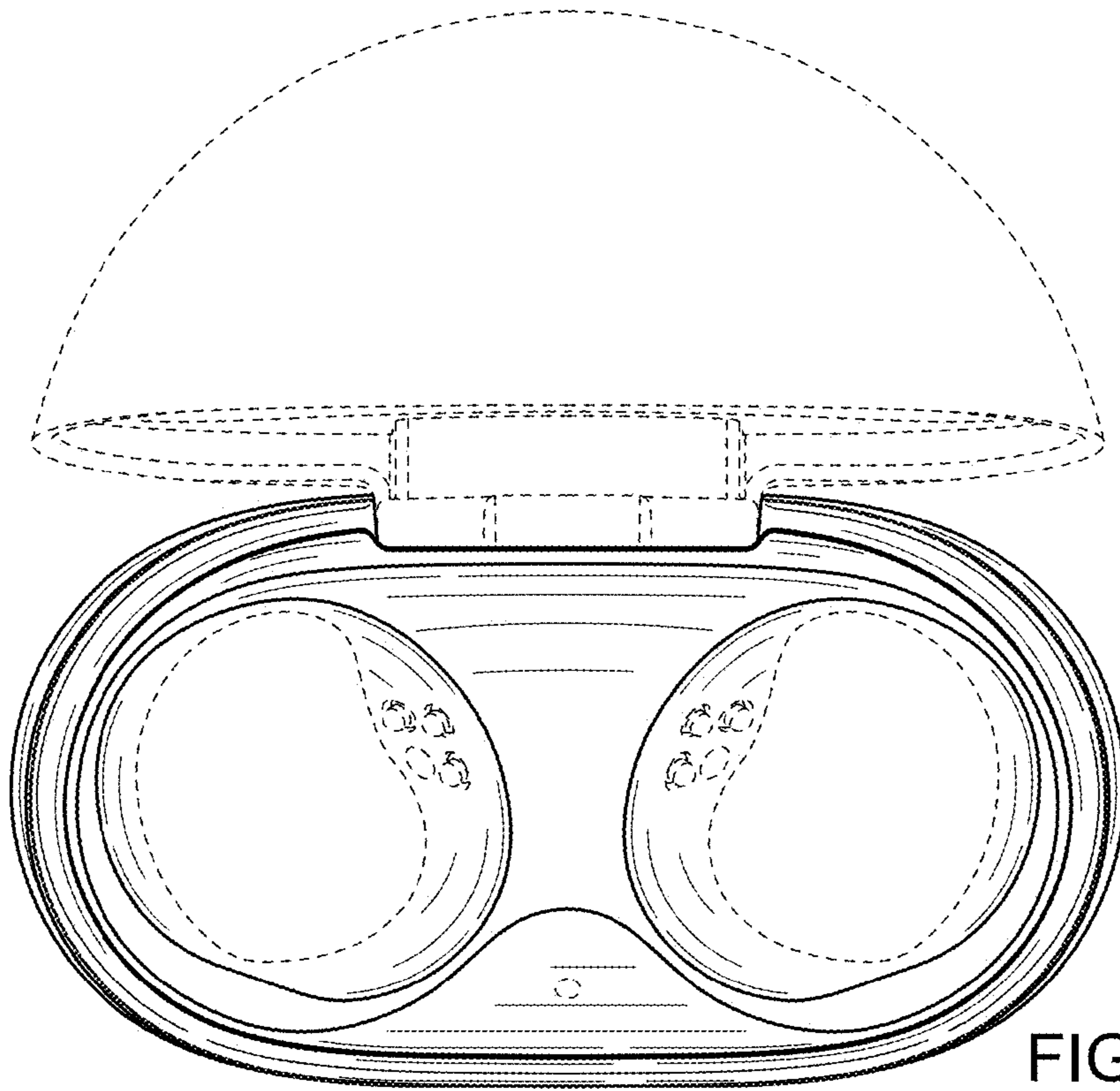


FIG. 6

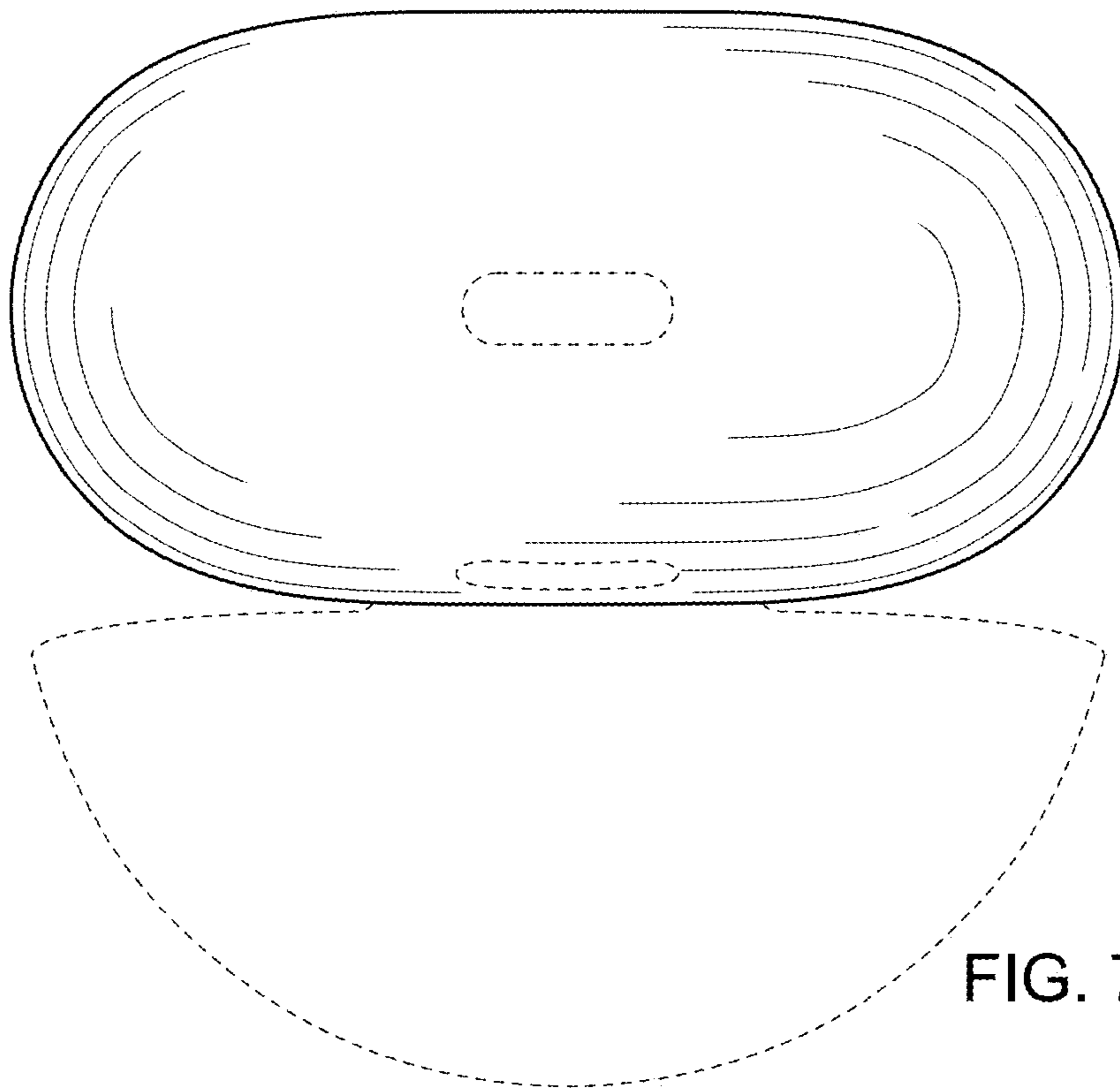


FIG. 7