



US00D983738S

(12) **United States Design Patent**
Tang

(10) **Patent No.:** **US D983,738 S**

(45) **Date of Patent:** **** Apr. 18, 2023**

(54) **CHARGER DOCK**

(71) Applicant: **Shenzhen Targetever Technology Co., Ltd.**, Guangdong (CN)

(72) Inventor: **Xiancheng Tang**, Guangdong (CN)

(73) Assignee: **Shenzhen Targetever Technology Co., Ltd.**, Shenzhen (CN)

(**) Term: **15 Years**

(21) Appl. No.: **29/749,469**

(22) Filed: **Sep. 4, 2020**

(51) **LOC (14) Cl.** **13-02**

(52) **U.S. Cl.**
USPC **D13/108; D21/333**

(58) **Field of Classification Search**
USPC D13/103, 107, 108, 118, 119; D14/432, D14/433, 434, 439, 447; D21/333, 385
CPC H02J 7/00047; H02J 7/0049; H02J 50/05
See application file for complete search history.

(56) **References Cited**

U.S. PATENT DOCUMENTS

D315,330 S *	3/1991	Soren	D13/107
D581,355 S *	11/2008	Grant	D13/107
D597,940 S *	8/2009	Navid	D13/108
D709,447 S *	7/2014	Ibuki	D13/108
D722,649 S *	2/2015	Sumii	D21/333
D755,716 S *	5/2016	Navid	D13/108
D785,564 S *	5/2017	Lee	D13/108
D813,240 S *	3/2018	Yeruva	D14/434
D833,389 S *	11/2018	Dunham	D13/108
10,888,792 B2 *	1/2021	Loh	A63F 13/24
D949,102 S *	4/2022	Zhou	D13/108
2014/0375271 A1 *	12/2014	Wang	H02J 7/0044
				320/115
2020/0335987 A1 *	10/2020	Zheng	H02J 7/0044

OTHER PUBLICATIONS

“Dobe Dual Charger Dock”. Found online May 3, 2022 at amazon.com. Reference dated Nov. 12, 2016. Retrieved from <https://www.amazon.com/Dobe-XBOX-Controller-Charging-Charger-Station/dp/B01N083LWZ>. (Year: 2016).*

“Dobe Tyx Dock”. Found online May 3, 2022 at banggood.in. Reference dated Feb. 3, 2020. Retrieved from https://www.banggood.in/DOBE-TYX-19058-Dual-Charger-Charging-Dock-Station-Stand-Cradle-for-Xbox-OneXS-Game-Controller-with-Battery-Pack-Adapter-p-1580745.html?cur_warehouse=CN. (Year: 2020).*

“Targetever Controller Charging Station”. Found online May 3, 2022 at targetever.com. Reference dated May 3, 2022. Retrieved from <https://www.targetever.com/product/144.html>. (Year: 2022).*

* cited by examiner

Primary Examiner — Kendra Leslie Hamilton

Assistant Examiner — Amanda Christensen

(74) *Attorney, Agent, or Firm* — Nitin Kaushik

(57) **CLAIM**

The ornamental design for charger dock, as shown and described.

DESCRIPTION

FIG. 1 is a perspective view of a charger dock, showing my design.

FIG. 2 is a front elevation view thereof.

FIG. 3 is a rear elevation view thereof.

FIG. 4 is a left side elevation view thereof.

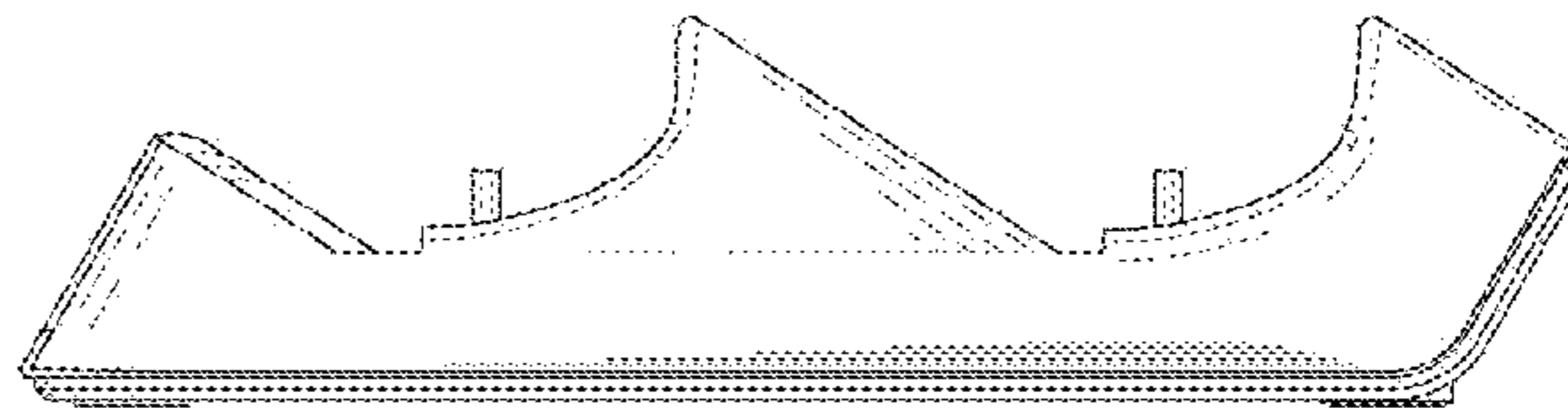
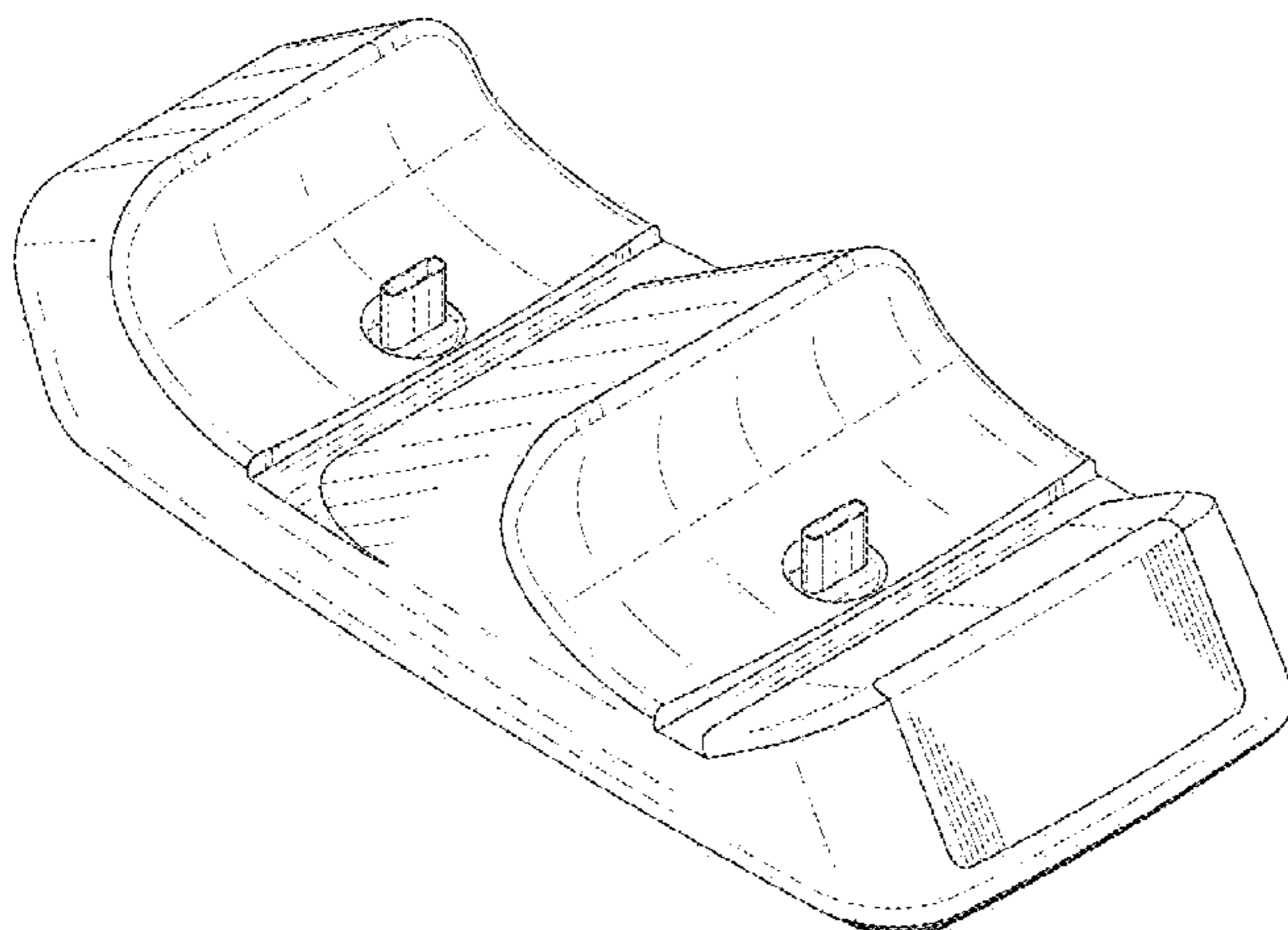
FIG. 5 is a right side elevation view thereof.

FIG. 6 is a top plan view thereof; and,

FIG. 7 is a bottom plan view thereof.

The broken lines in the drawings depict portions of the charger dock that form no part of the claimed design.

1 Claim, 7 Drawing Sheets



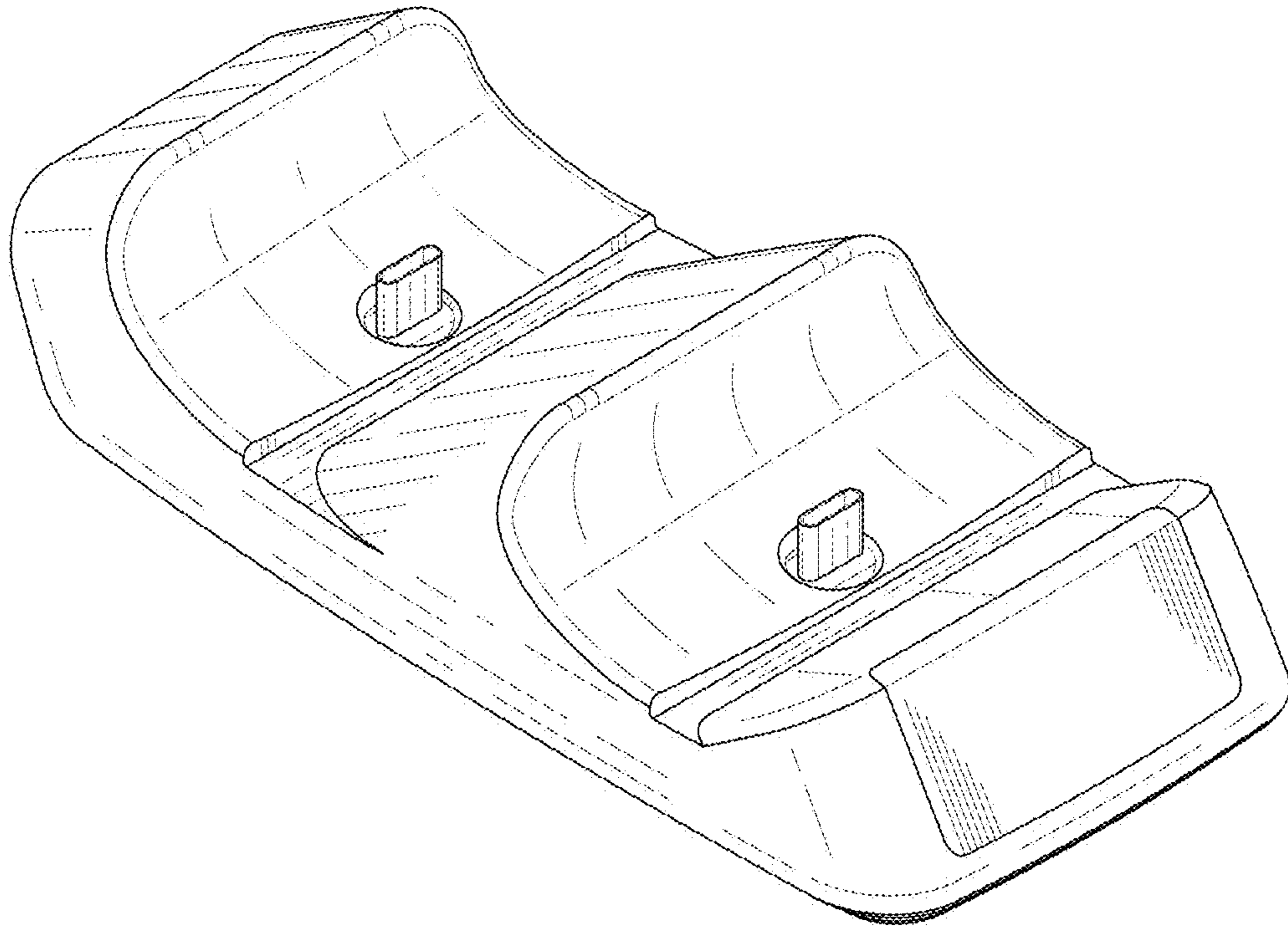


FIG.1

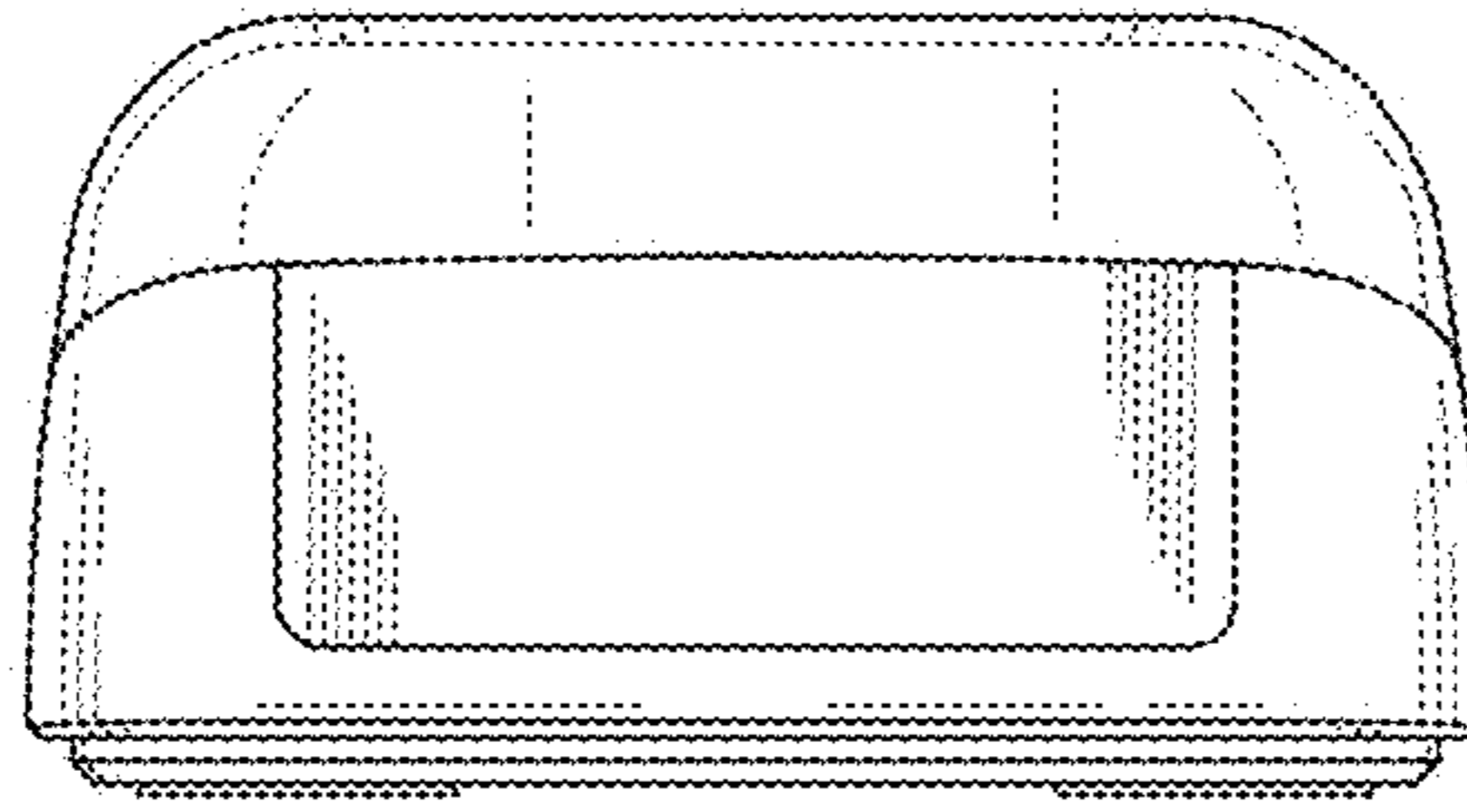


FIG.2

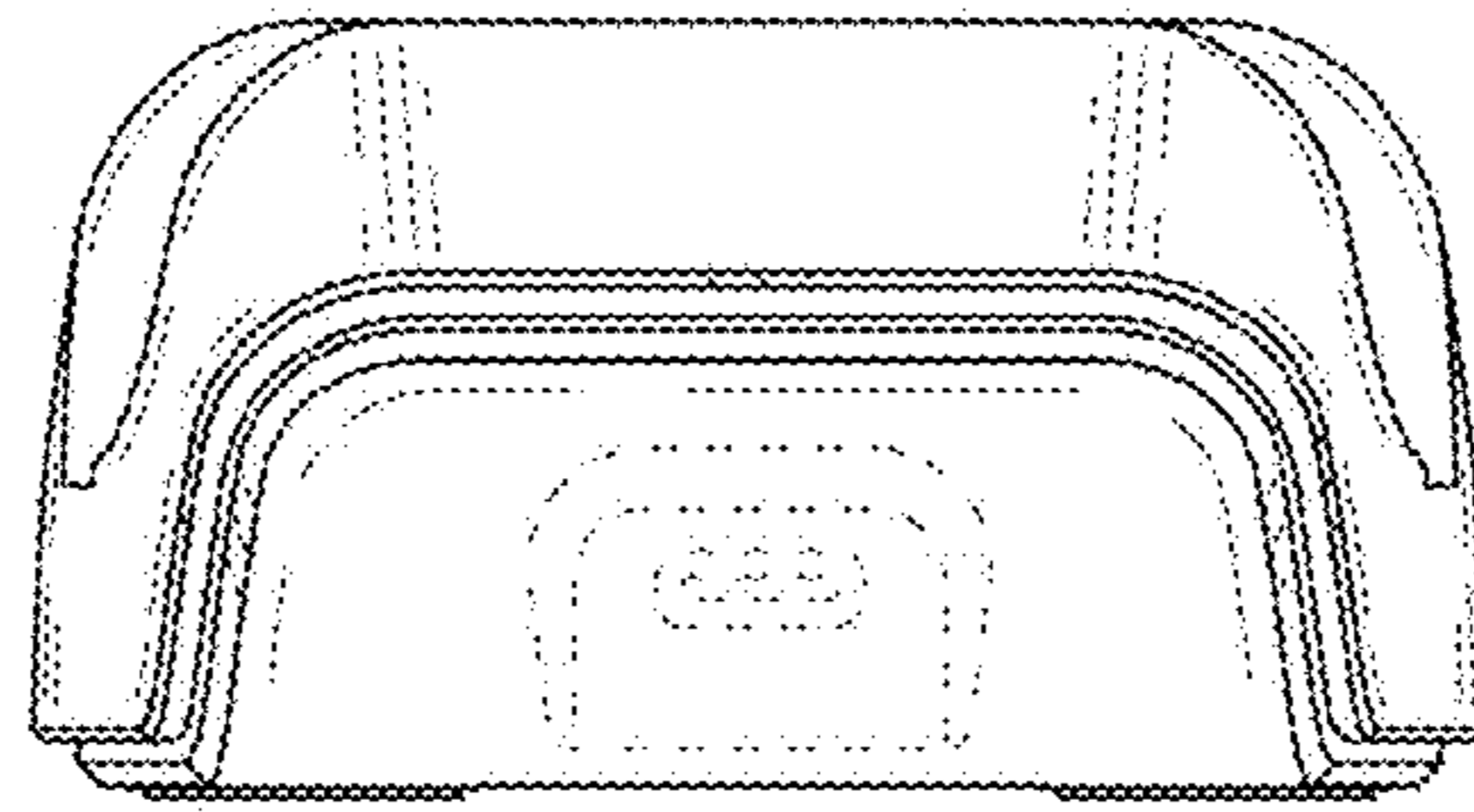


FIG.3

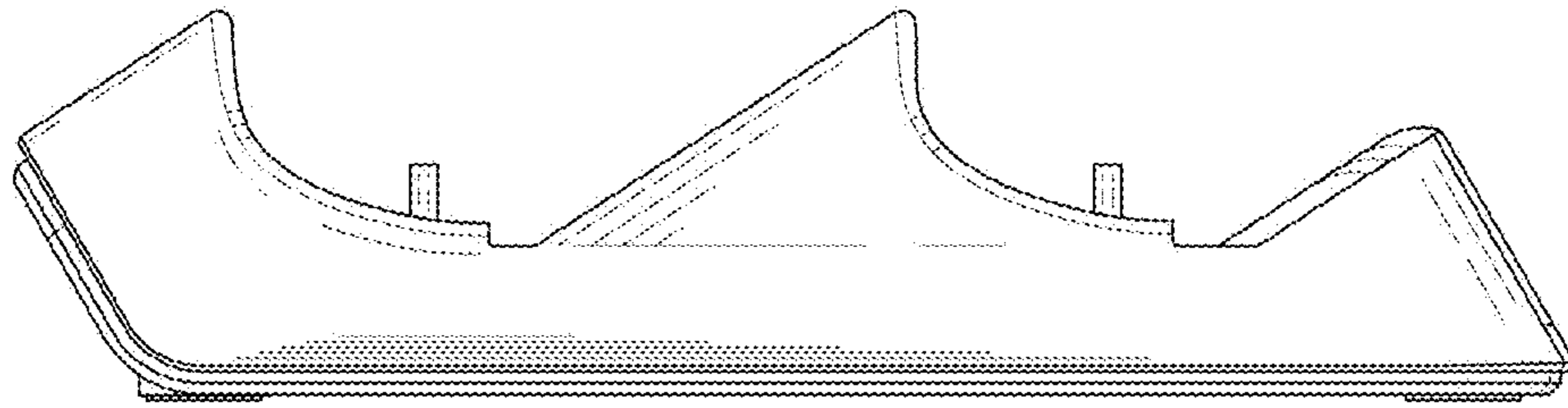


FIG.4

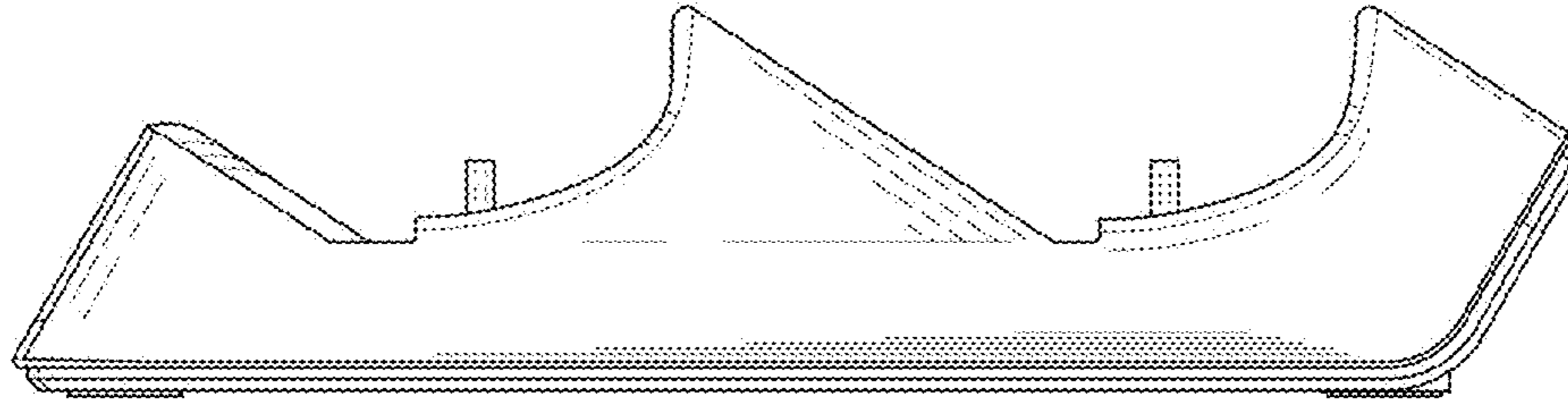


FIG.5

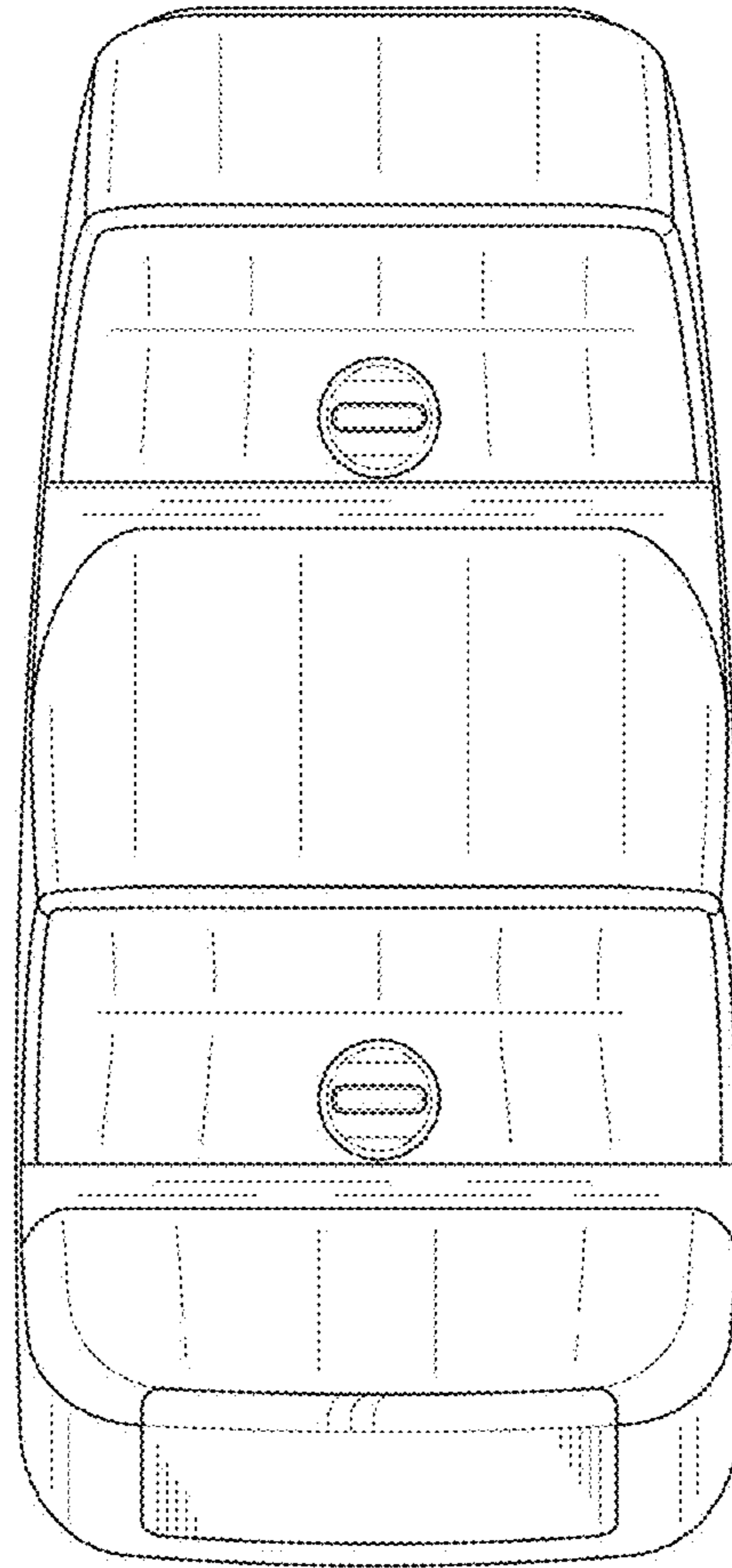


FIG.6

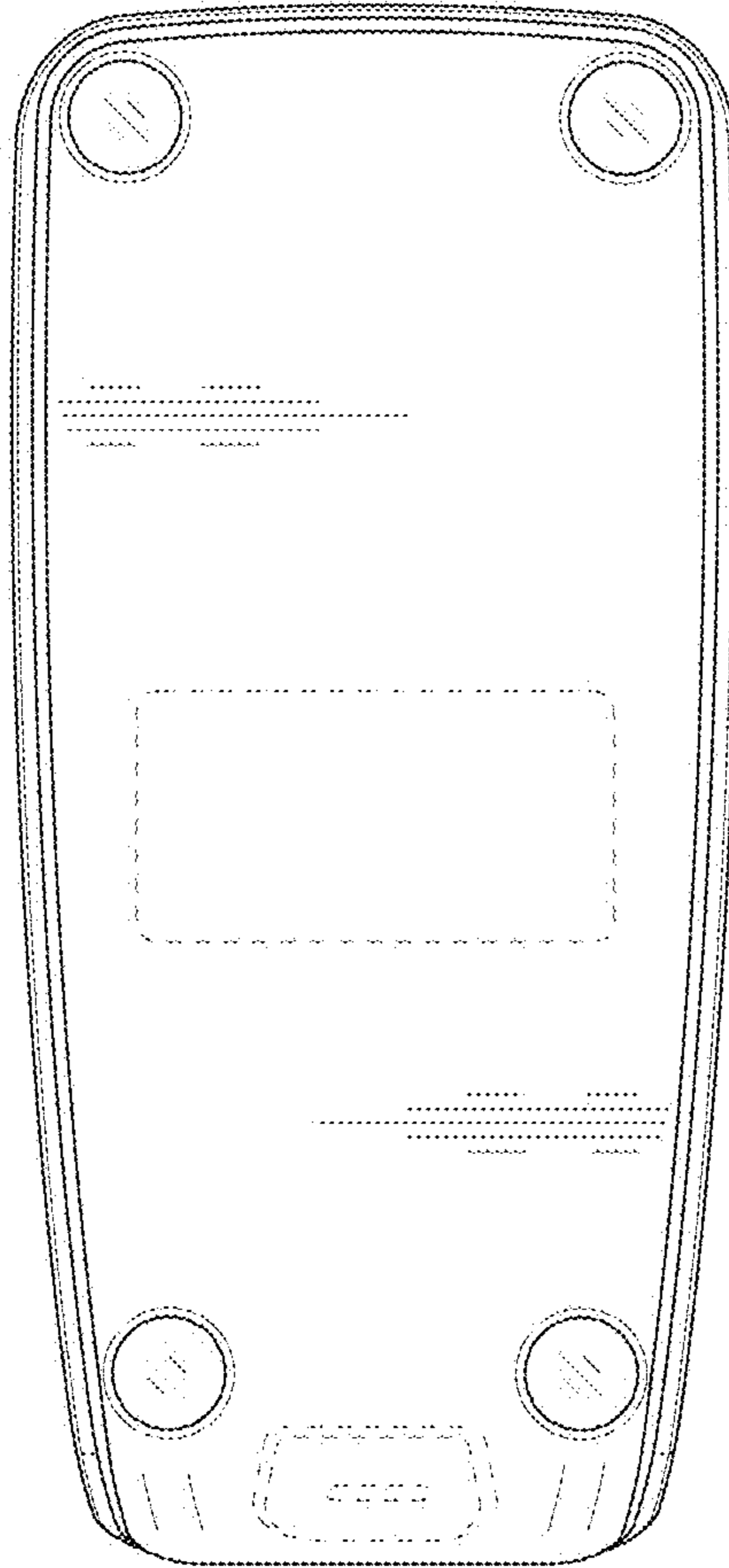


FIG.7