



US00D983736S

(12) **United States Design Patent**  
**Cheng**

(10) **Patent No.:** **US D983,736 S**

(45) **Date of Patent:** **\*\* \*Apr. 18, 2023**

(54) **BATTERY**

(71) Applicant: **Ninebot (Beijing) Tech Co., Ltd.**,  
Beijing (CN)

(72) Inventor: **Peng Cheng**, Beijing (CN)

(\* ) Notice: This patent is subject to a terminal disclaimer.

(\*\*) Term: **15 Years**

(21) Appl. No.: **35/510,982**

(22) Filed: **Jun. 12, 2020**

(80) **Hague Agreement Data**

Int. Filing Date: **Jun. 12, 2020**

Int. Reg. No.: **DM/210464**

Int. Reg. Date: **Jun. 12, 2020**

Int. Reg. Pub. Date: **Dec. 18, 2020**

(30) **Foreign Application Priority Data**

Dec. 13, 2019 (CN) ..... 201930697959.9

(51) **LOC (14) Cl.** ..... **13-02**

(52) **U.S. Cl.**  
USPC ..... **D13/107**

(58) **Field of Classification Search**  
USPC ..... D13/107, 108, 110, 103  
CPC ..... H01R 13/6675; H02B 1/50; H02J 7/00;  
G06F 1/1632  
See application file for complete search history.

(56) **References Cited**

**U.S. PATENT DOCUMENTS**

D510,066 S \* 9/2005 Hickey ..... D13/108  
D588,059 S \* 3/2009 Fujita ..... D13/108  
D639,735 S \* 6/2011 Lee ..... D13/108  
D675,154 S \* 1/2013 Nam ..... D13/108  
D695,215 S \* 12/2013 Neidhart ..... D13/107  
D709,446 S \* 7/2014 Haug ..... D13/108

D755,122 S \* 5/2016 Gecawicz ..... D13/107  
D782,412 S \* 3/2017 Kim ..... D13/108  
D804,414 S \* 12/2017 Tang ..... D13/108  
D810,014 S \* 2/2018 Haranaka ..... D13/108  
D818,433 S \* 5/2018 Ebrahimi Afrouzi ..... D13/108  
D818,951 S \* 5/2018 Ebrahimi Afrouzi ..... D13/108  
D849,682 S \* 5/2019 Dou ..... D13/108

(Continued)

*Primary Examiner* — Rhea Shields

(57) **CLAIM**

The ornamental design for a battery, as shown and described.

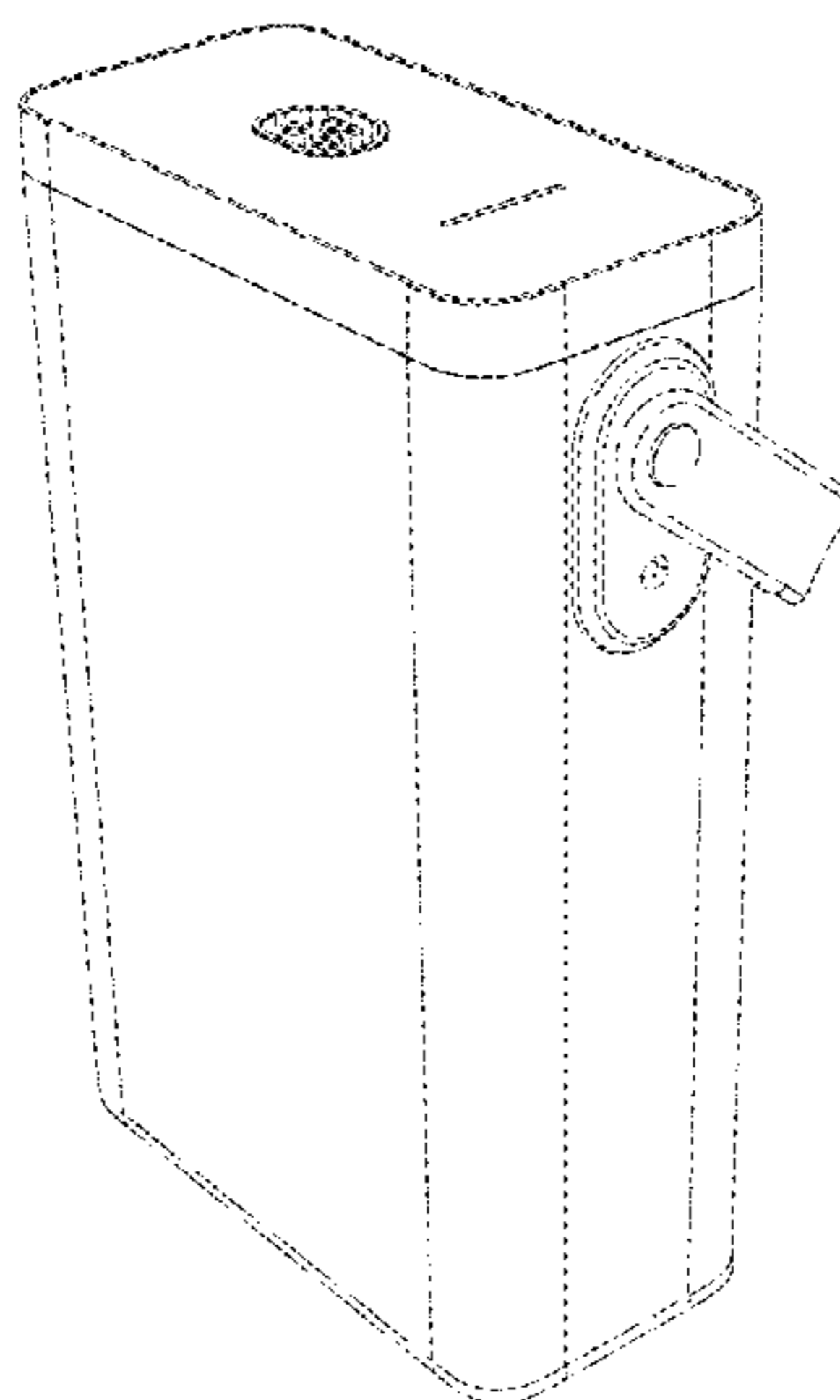
**DESCRIPTION**

The patent or application file contains at least one drawing executed in color. Copies of this patent or patent application publication with color drawing(s) will be provided by the Office upon request and payment of the necessary fee.

- 3.-4. Battery
- 3.1 : Front
- 3.2 : Back
- 3.3 : Left
- 3.4 : Right
- 3.5 : Top
- 3.6 : Bottom
- 3.7 : Perspective
- 4.1 : Front
- 4.2 : Back
- 4.3 : Left
- 4.4 : Right
- 4.5 : Top
- 4.6 : Bottom
- 4.7 : Perspective

The broken line showing in design 3 is included for the purpose of illustrating portions of the battery and forms no part of the claimed design. The elements shaded in a transparent red wash in design 4 are included for the purpose of illustrating portions of the battery and forms no part of the claimed design.

**1 Claim, 10 Drawing Sheets**  
**(5 of 10 Drawing Sheet(s) Filed in Color)**



Perspective View

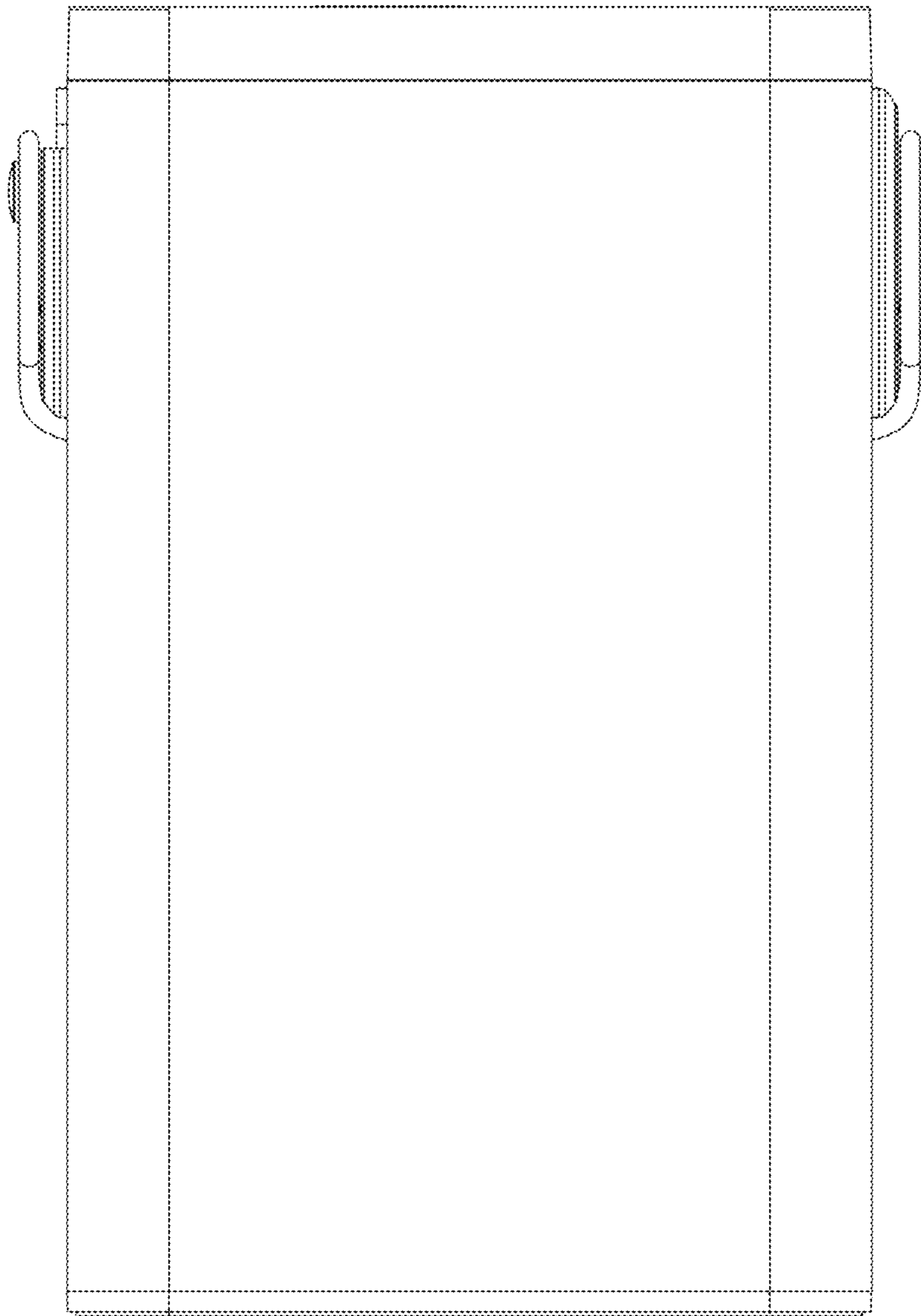
(56)

**References Cited**

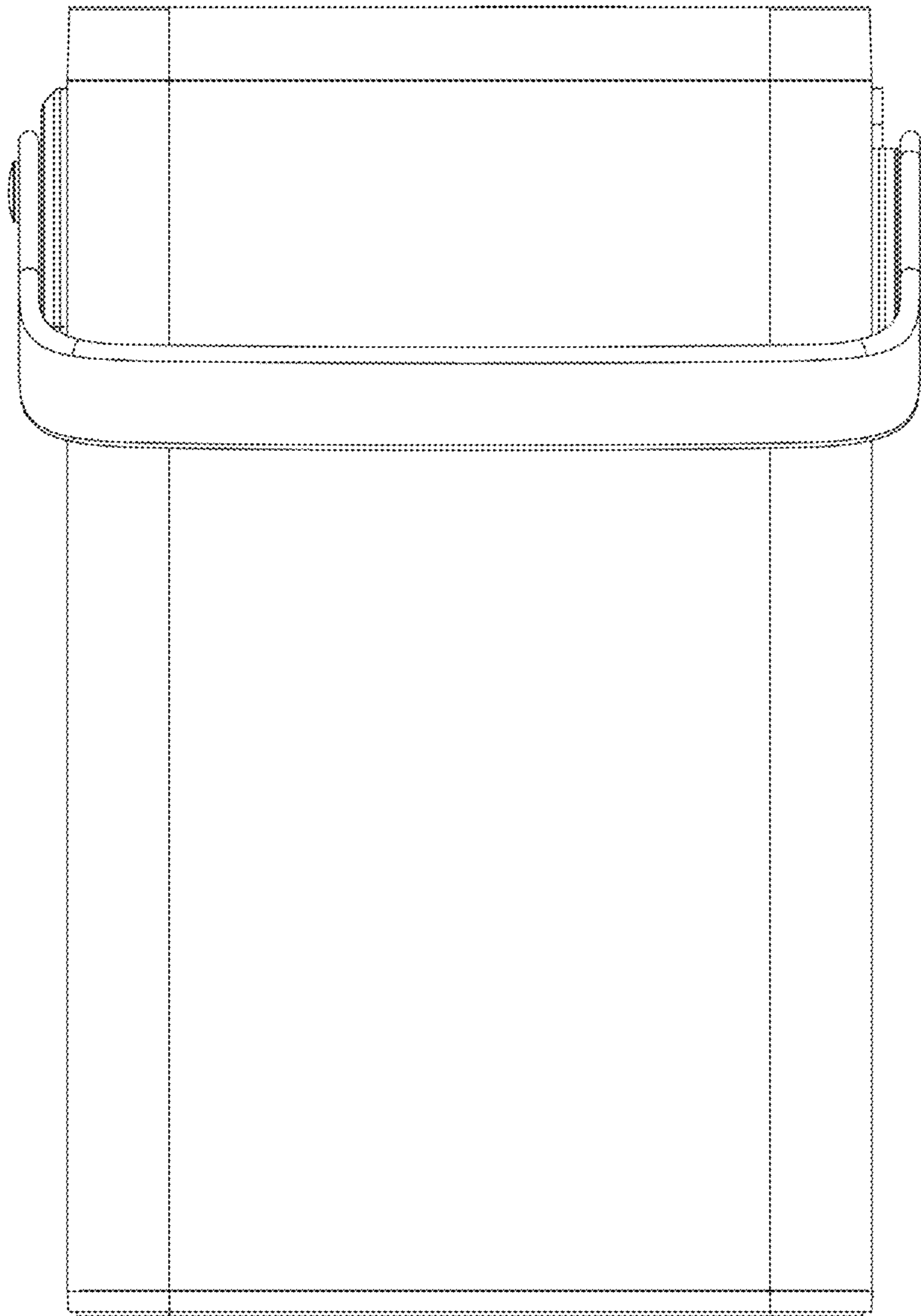
U.S. PATENT DOCUMENTS

D851,035 S *	6/2019	Hong	.....	D13/108
D860,934 S *	9/2019	Ebrahimi Afrouzi	.....	D13/108
D867,986 S *	11/2019	Caradonna	.....	D13/107
D879,709 S *	3/2020	Lu	.....	D13/108
D894,122 S *	8/2020	Ye	.....	D13/108
D902,148 S *	11/2020	Nishimura	.....	D13/107
D905,633 S *	12/2020	Yoon	.....	D13/108
D921,582 S *	6/2021	Liu	.....	D13/108
D924,130 S *	7/2021	Zhang	.....	D13/108
D931,207 S *	9/2021	Briggs	.....	D13/108
2014/0191707 A1 *	7/2014	Carreon	.....	H04M 1/04 320/107

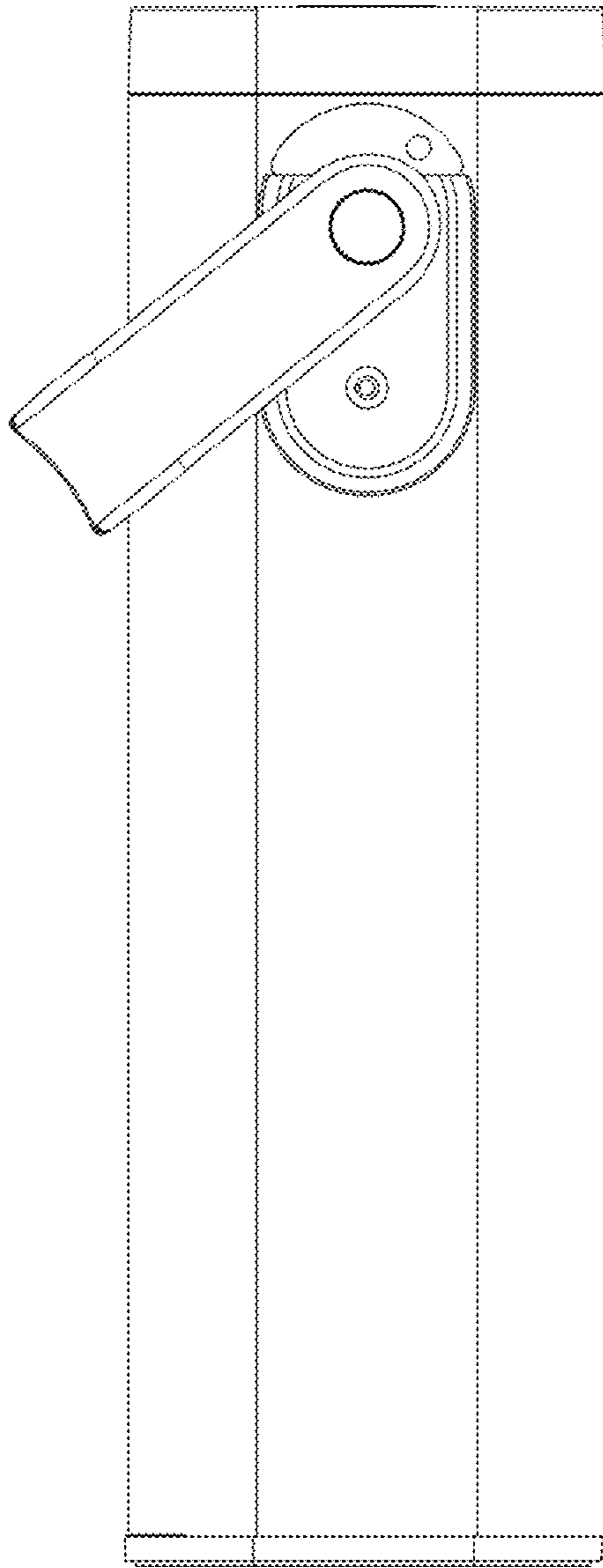
\* cited by examiner



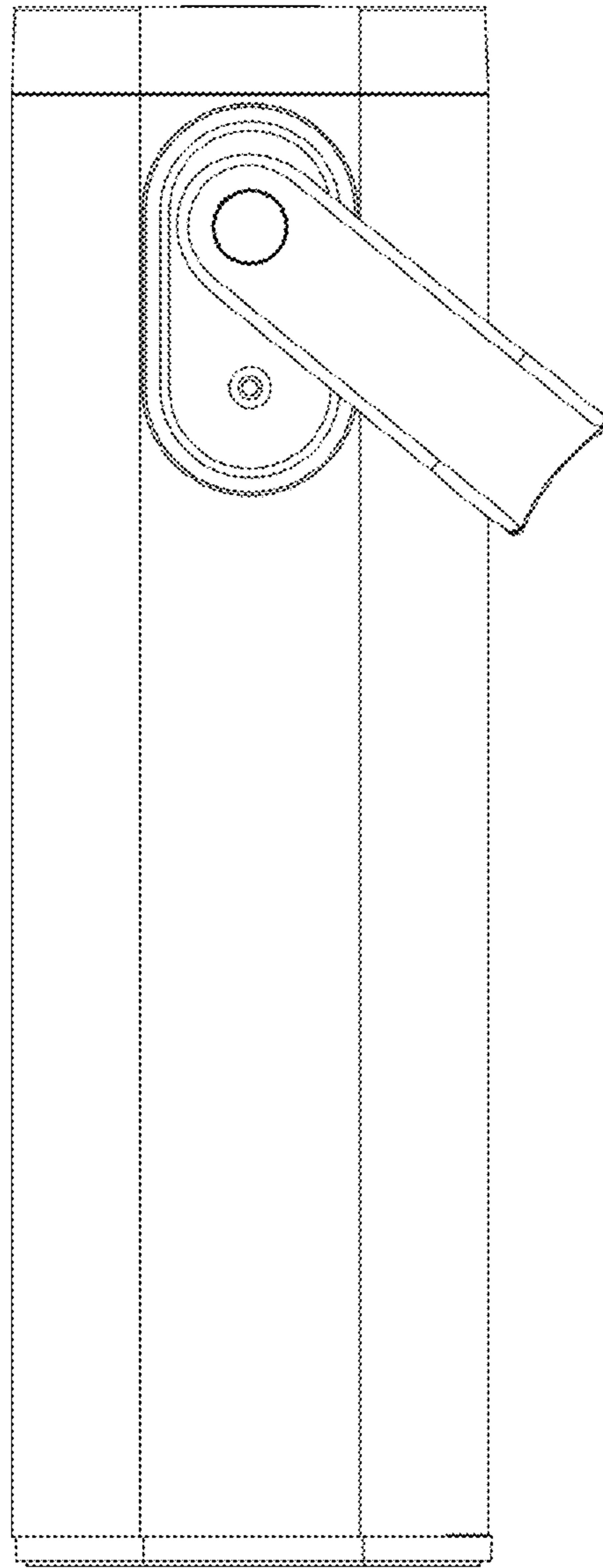
3.1  
Front View



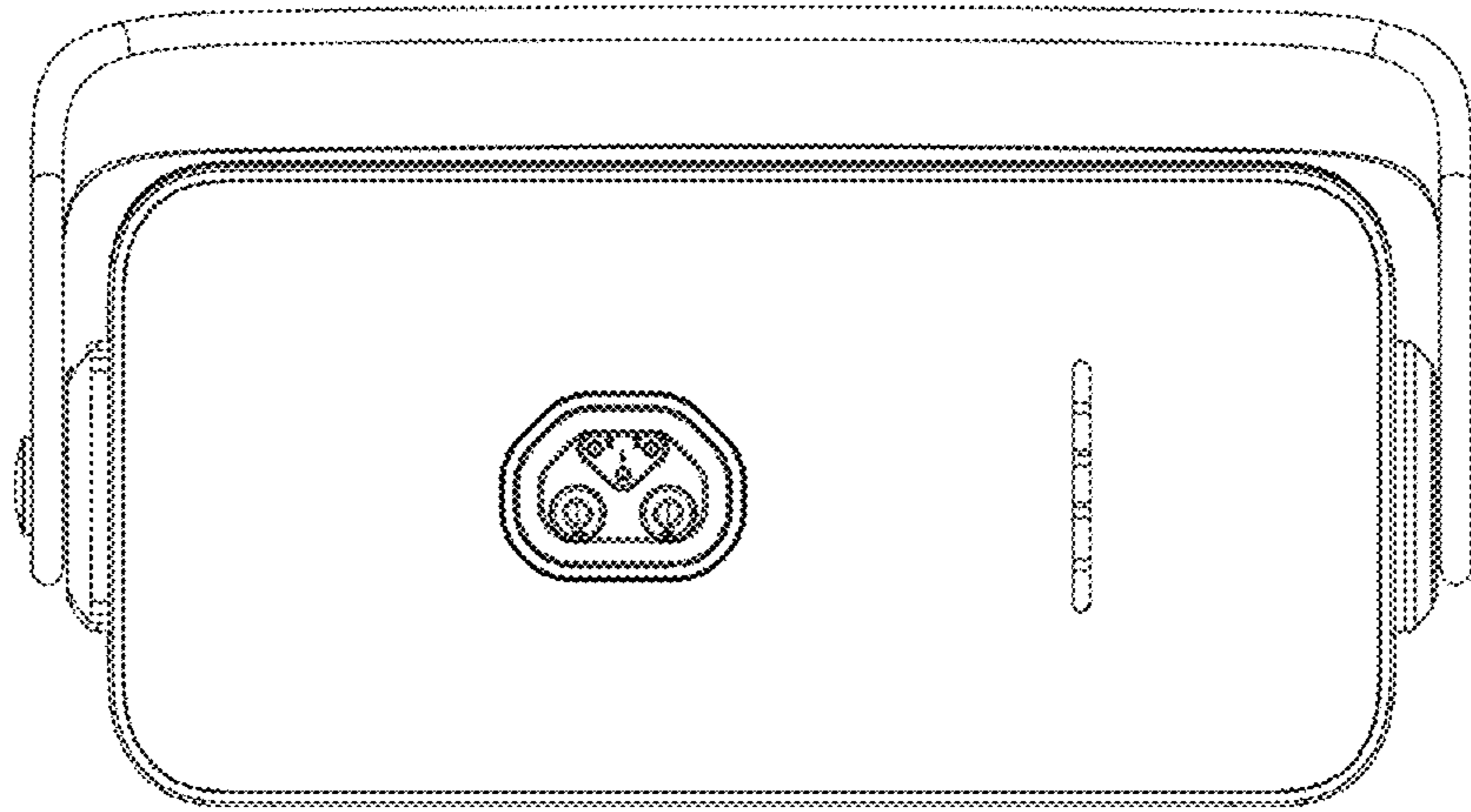
3.2  
Back View



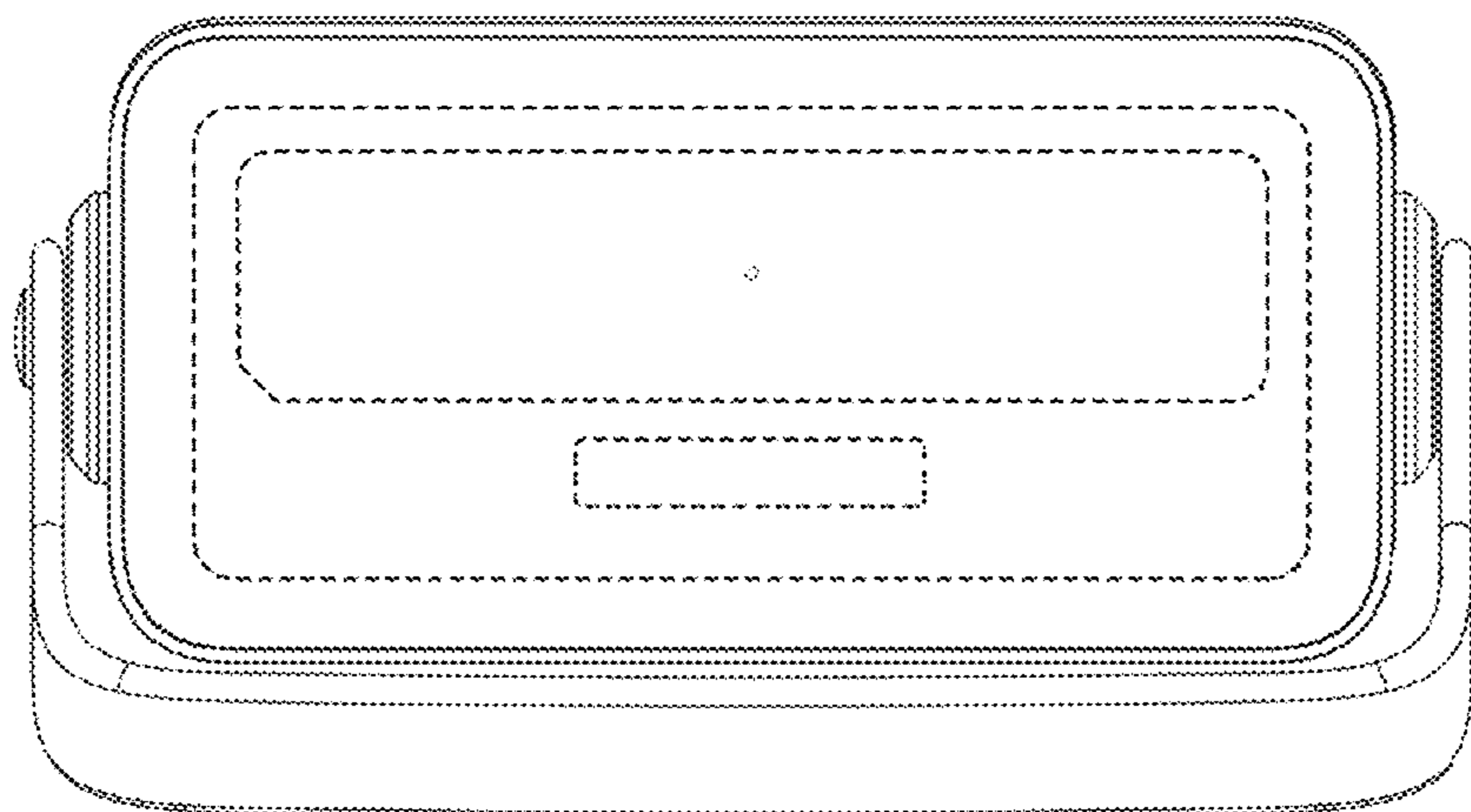
3.3  
Left View



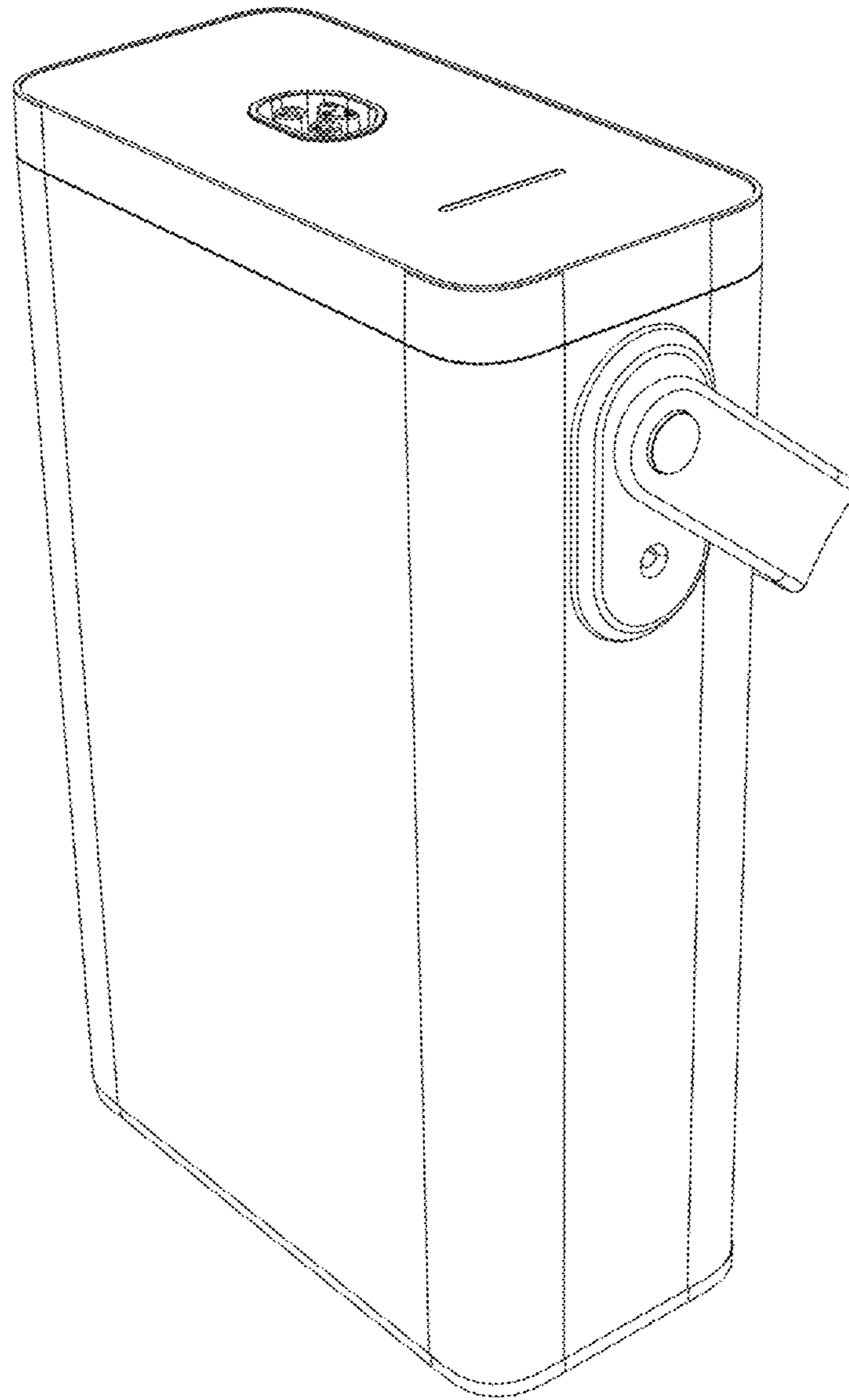
3.4  
Right View



3.5  
Top View



3.6  
Bottom View



3.7  
Perspective View

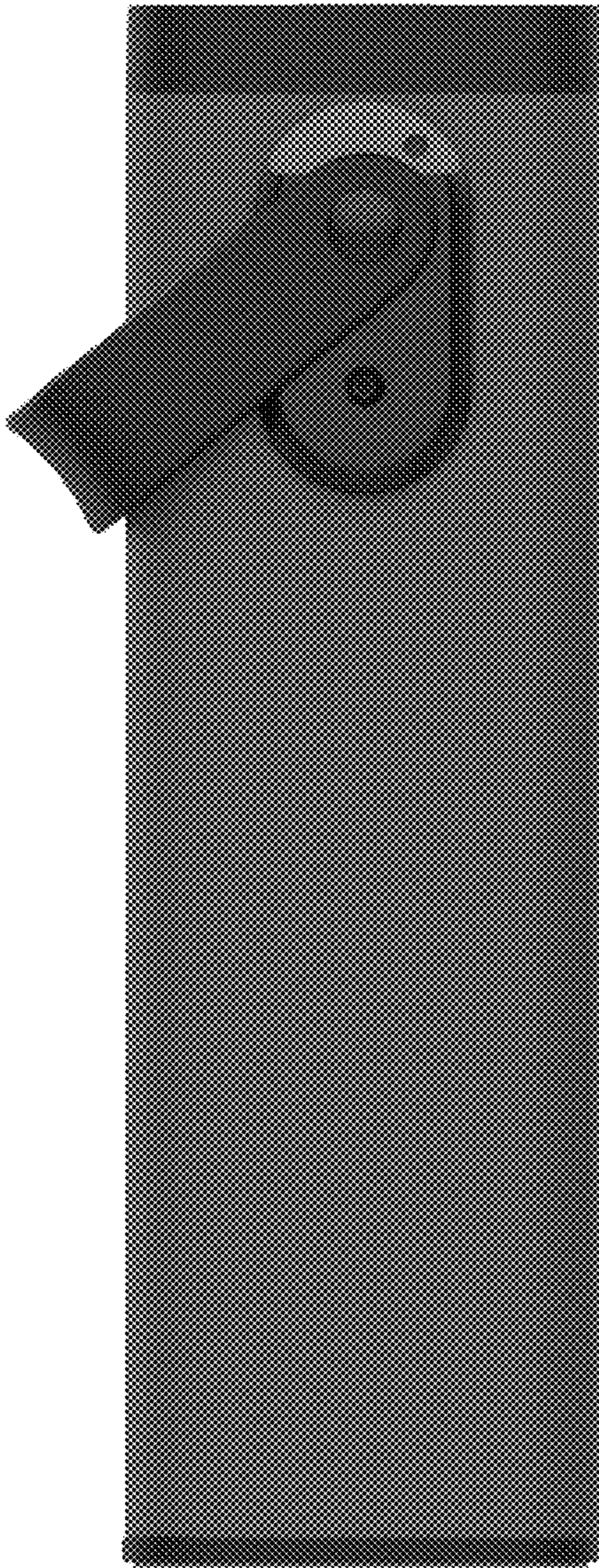


4.1  
Front View

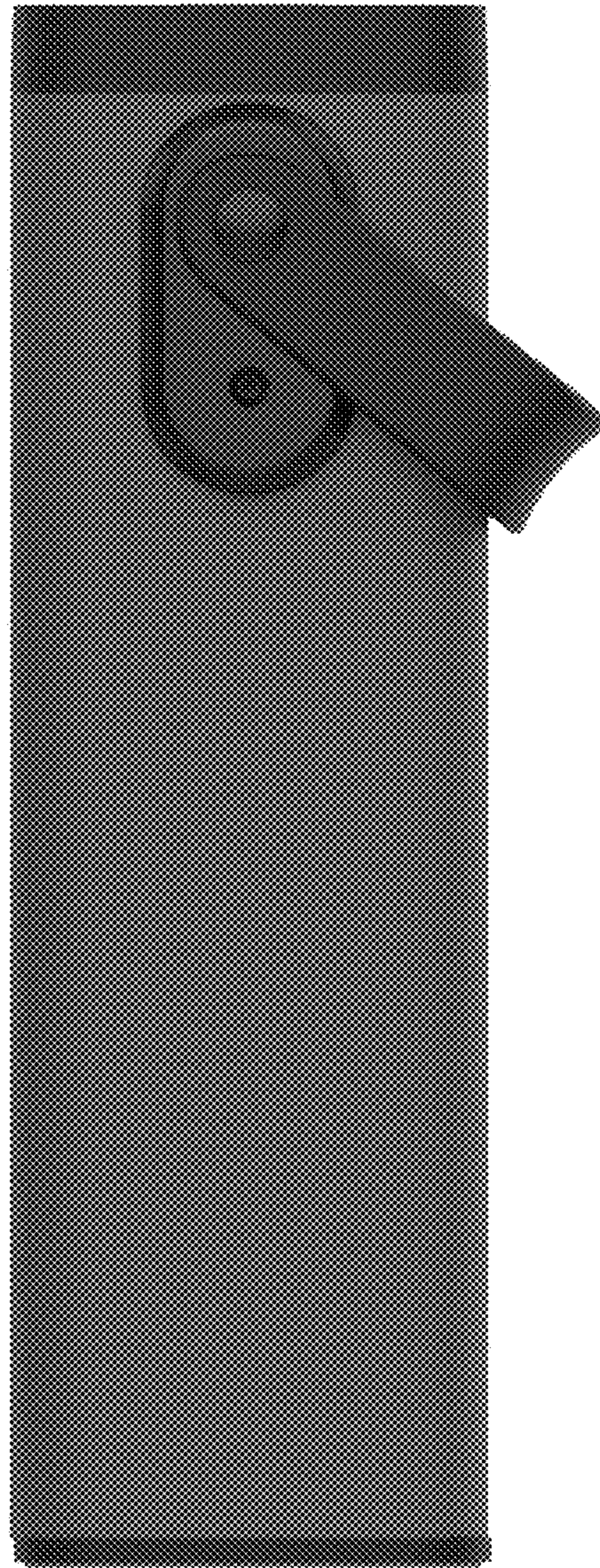




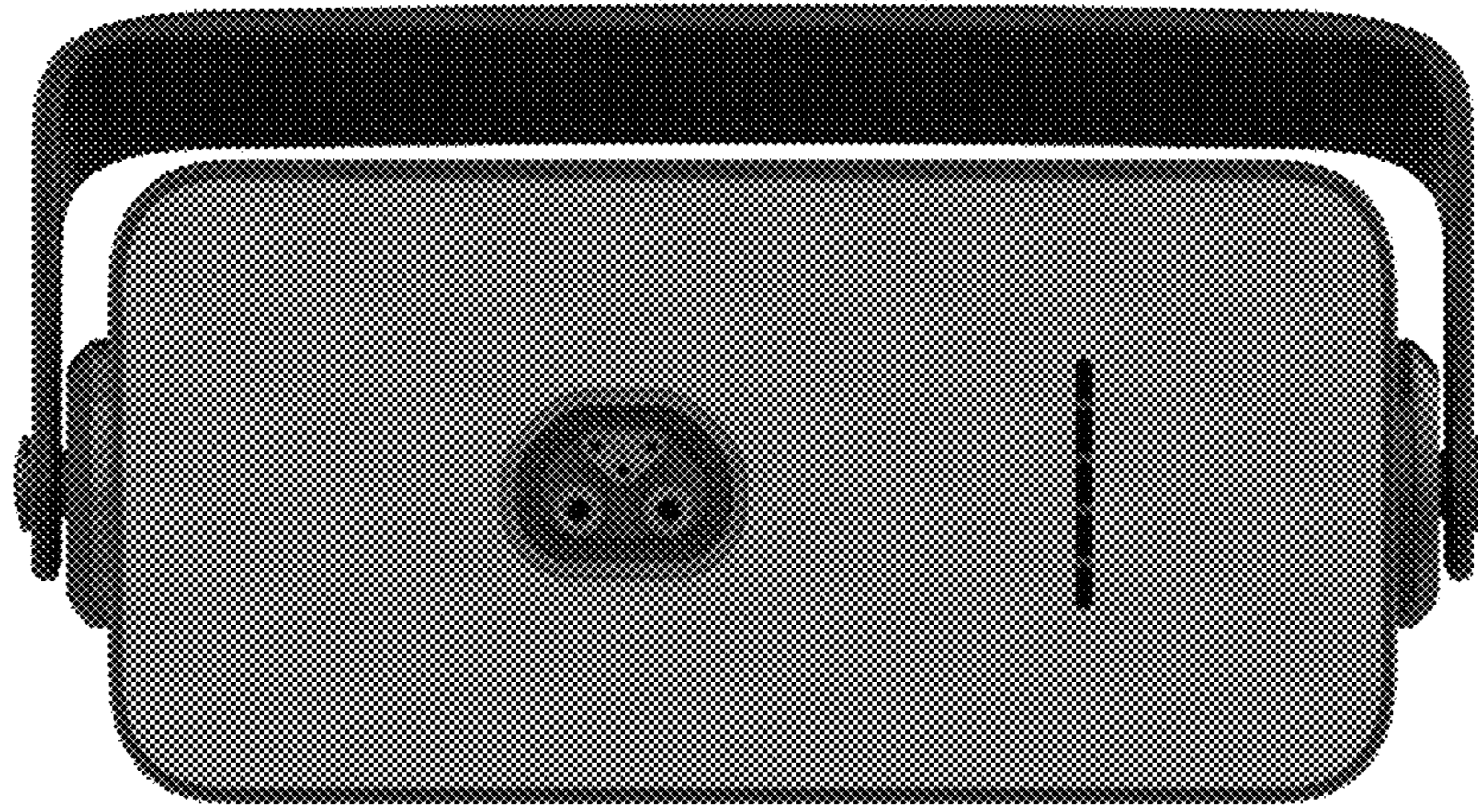
4.2  
Back View



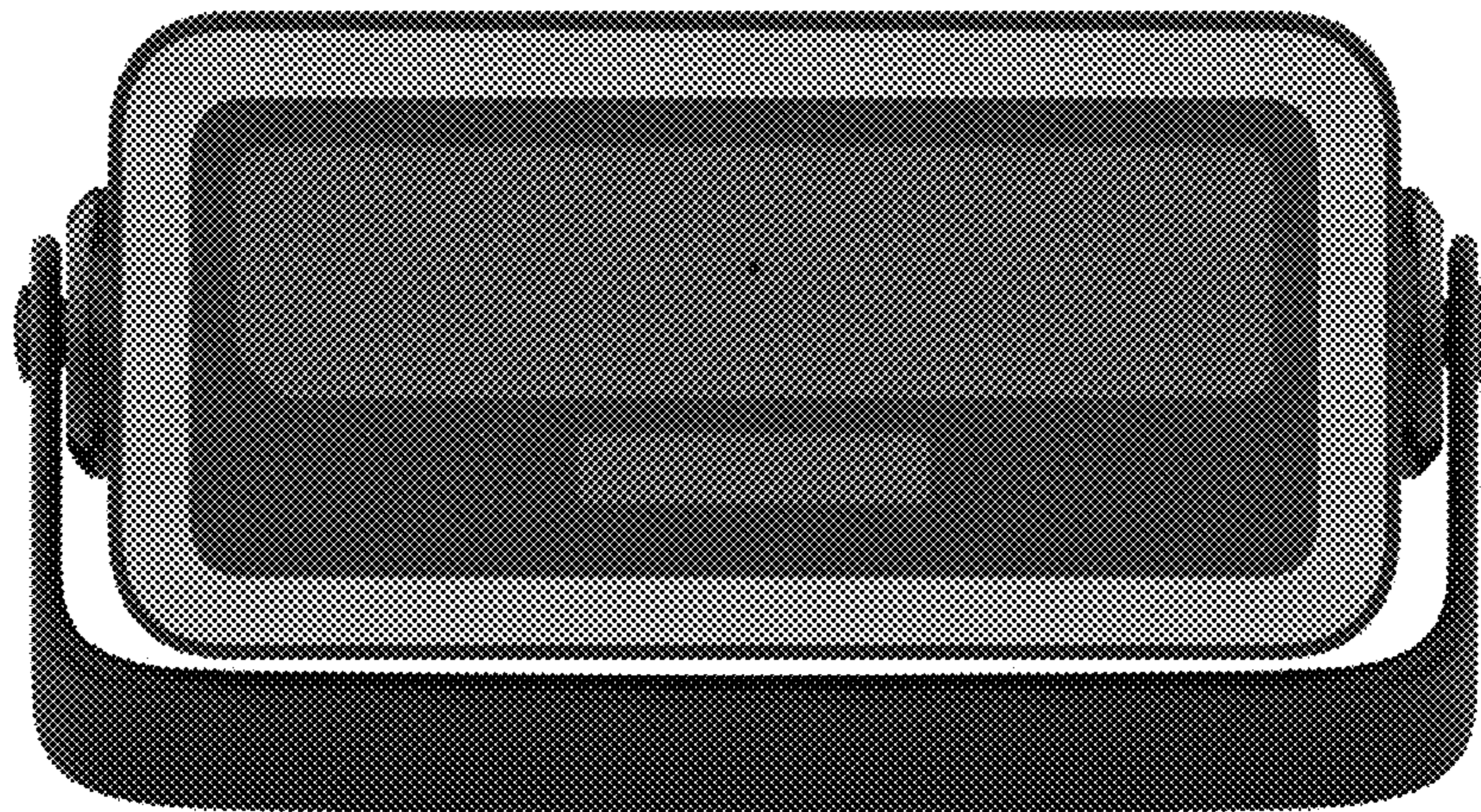
4.3  
Left View



4.4  
Right View



4.5  
Top View



4.6  
Bottom View



4.7  
Perspective View