



US00D983735S

(12) **United States Design Patent**
Zhang

(10) **Patent No.:** **US D983,735 S**

(45) **Date of Patent:** **** Apr. 18, 2023**

(54) **PORTABLE POWER STATION**

(71) Applicant: **Shenzhen YunJi intelligent technology co. LTD, Shenzhen (CN)**

(72) Inventor: **Lihua Zhang, Shenzhen (CN)**

(*) Notice: Patent file contains an affidavit/declaration under 37 CFR 1.130(b).

(**) Term: **15 Years**

(21) Appl. No.: **29/836,261**

(22) Filed: **Apr. 26, 2022**

(30) **Foreign Application Priority Data**

Apr. 20, 2022 (CN) 202230224986.6

(51) **LOC (14) Cl.** **13-02**

(52) **U.S. Cl.**
USPC **D13/107**

(58) **Field of Classification Search**

USPC D13/103, 104, 106, 107, 108, 109, 110,
D13/112, 116, 118, 119; D14/432, 433,
D14/434

CPC H02J 7/0027; H02J 15/00; F02N 11/12
See application file for complete search history.

(56) **References Cited**

U.S. PATENT DOCUMENTS

D823,797 S *	7/2018	Krantz	D13/110
D864,866 S *	10/2019	Dong	D13/116
D885,337 S	5/2020	Xu		
D886,047 S *	6/2020	Hung	D13/107
D897,283 S *	9/2020	Sun	D13/103
D930,571 S *	9/2021	Zhong	D13/107
D934,797 S *	11/2021	Su	D13/103
D942,933 S *	2/2022	Yin	D13/107
D949,098 S *	4/2022	Wang	D13/107
D950,484 S *	5/2022	Tan	D13/107

D955,329 S *	6/2022	Yu	D13/107
2015/0059662 A1 *	3/2015	Lan	F02B 63/048
				123/2
2016/0129524 A1 *	5/2016	Evans	B23K 37/0294
				219/136

(Continued)

OTHER PUBLICATIONS

“Oukitel Power Station”. Found online Aug. 8, 2022 at amazon.com. Reference dated Feb. 21, 2022. Retrieved from https://www.amazon.com/OUKITEL-P2001-Portable-Station-Generator/dp/B09PR51LWV/ref=sr_1_2_sspa. (Year: 2021).*

(Continued)

Primary Examiner — Kendra Leslie Hamilton

Assistant Examiner — Amanda Christensen

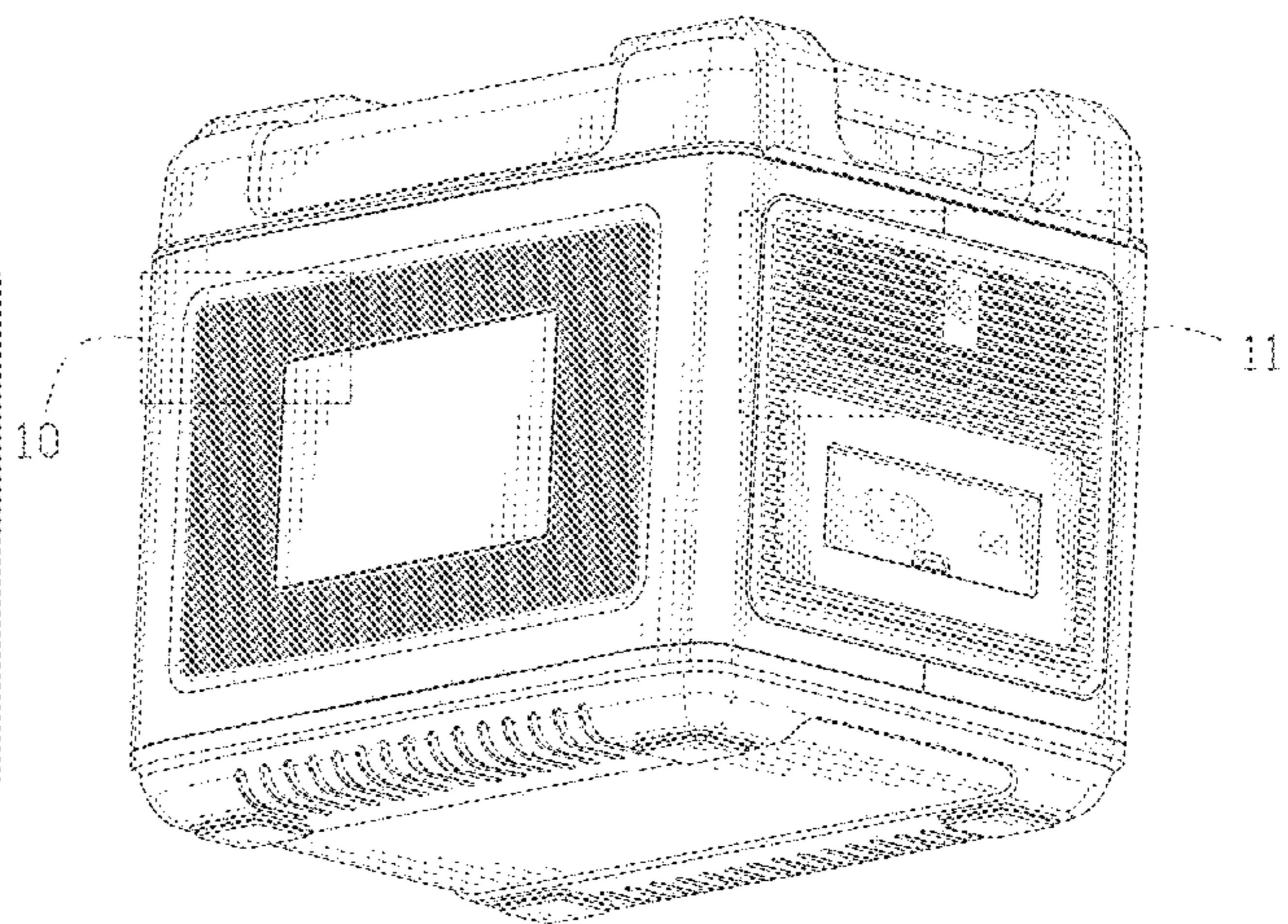
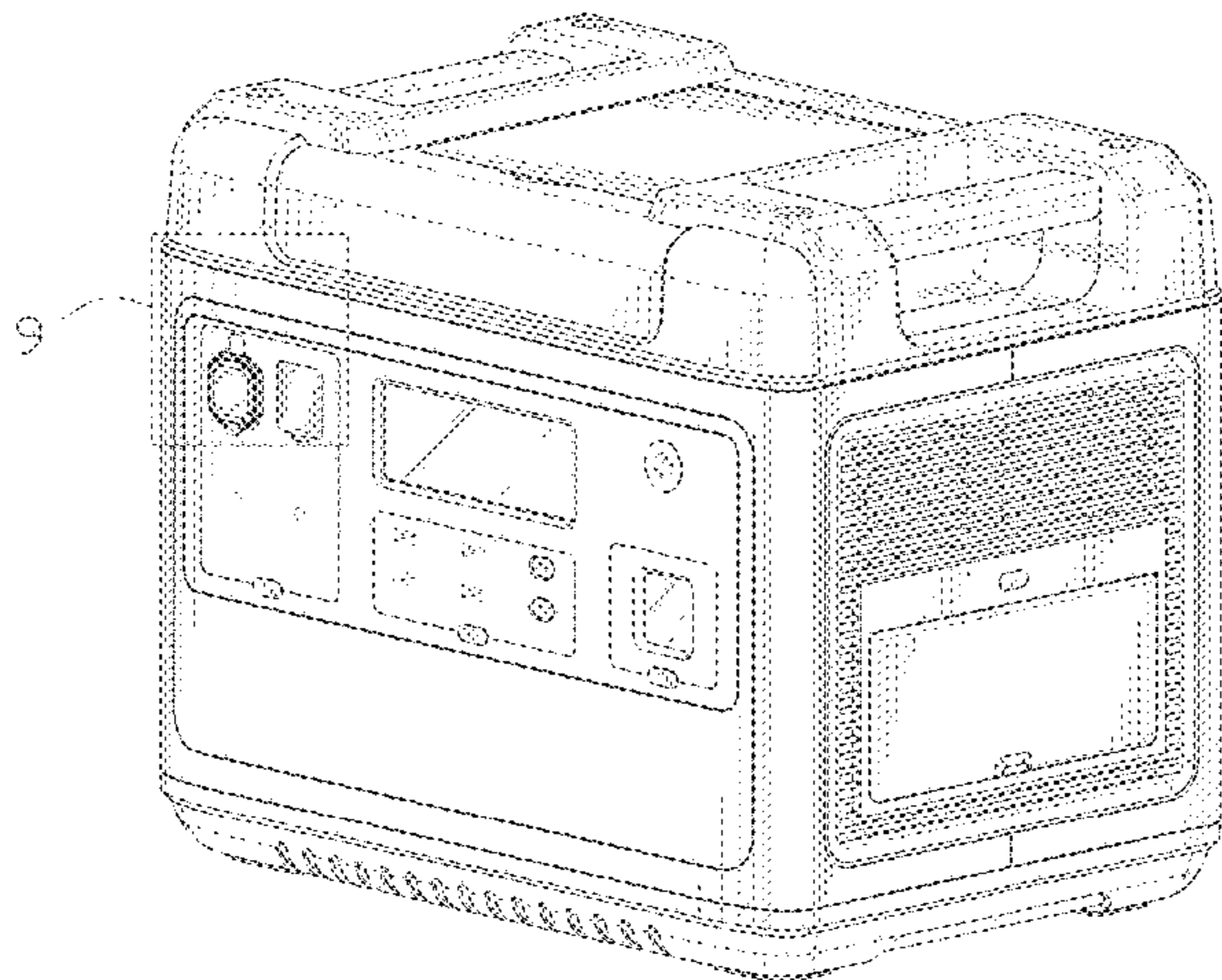
(57) **CLAIM**

The ornamental design for a portable power station, as shown and described.

DESCRIPTION

FIG. 1 is a front and top perspective view of a portable power station, showing my new design;
FIG. 2 is a rear and bottom perspective view thereof;
FIG. 3 is a front elevation view thereof;
FIG. 4 is a rear elevation view thereof;
FIG. 5 is a left side elevation view thereof;
FIG. 6 is a right side elevation view thereof;
FIG. 7 is a top plan view thereof;
FIG. 8 is a bottom plan view thereof;
FIG. 9 is an enlarged view of a portion indicated with numeric 9 in FIG. 1;
FIG. 10 is an enlarged view of a portion indicated with numeric 10 in FIG. 2; and,
FIG. 11 is an enlarged view of a portion indicated with numeric 11 in FIG. 2.
The broken lines in the figures depict portions of the portable power station that form no part of the claimed design.

1 Claim, 11 Drawing Sheets



(56)

References Cited

U.S. PATENT DOCUMENTS

2020/0343748 A1 * 10/2020 Ho H02J 7/025

OTHER PUBLICATIONS

“Suaoki Power Station”. Found online Aug. 24, 2021 at amazon.com. Reference dated Nov. 19, 2019. Retrieved from <https://www.amazon.com/dp/B081QCFWHS?tag=theenergyfixart-20&linkCode=ogi&th=1&psc=1>. (Year: 2019).*

“Safari ME Power Station”. Found online Aug. 24, 2021 at youtube.com. Reference dated Oct. 20, 2020. Retrieved from <https://www.youtube.com/watch?v=ZuSqtGerfs8>. (Year: 2020).*

* cited by examiner

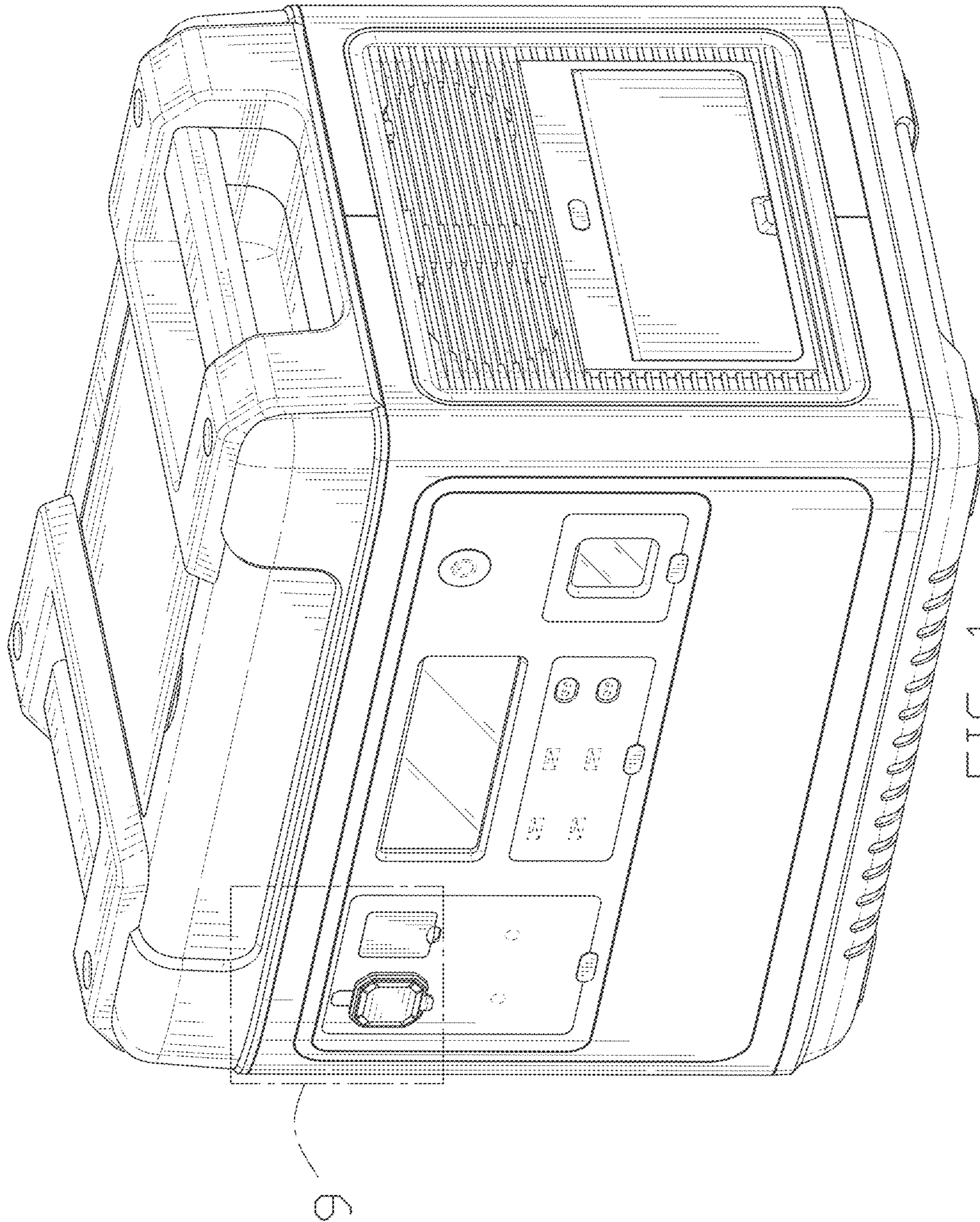


FIG. 1

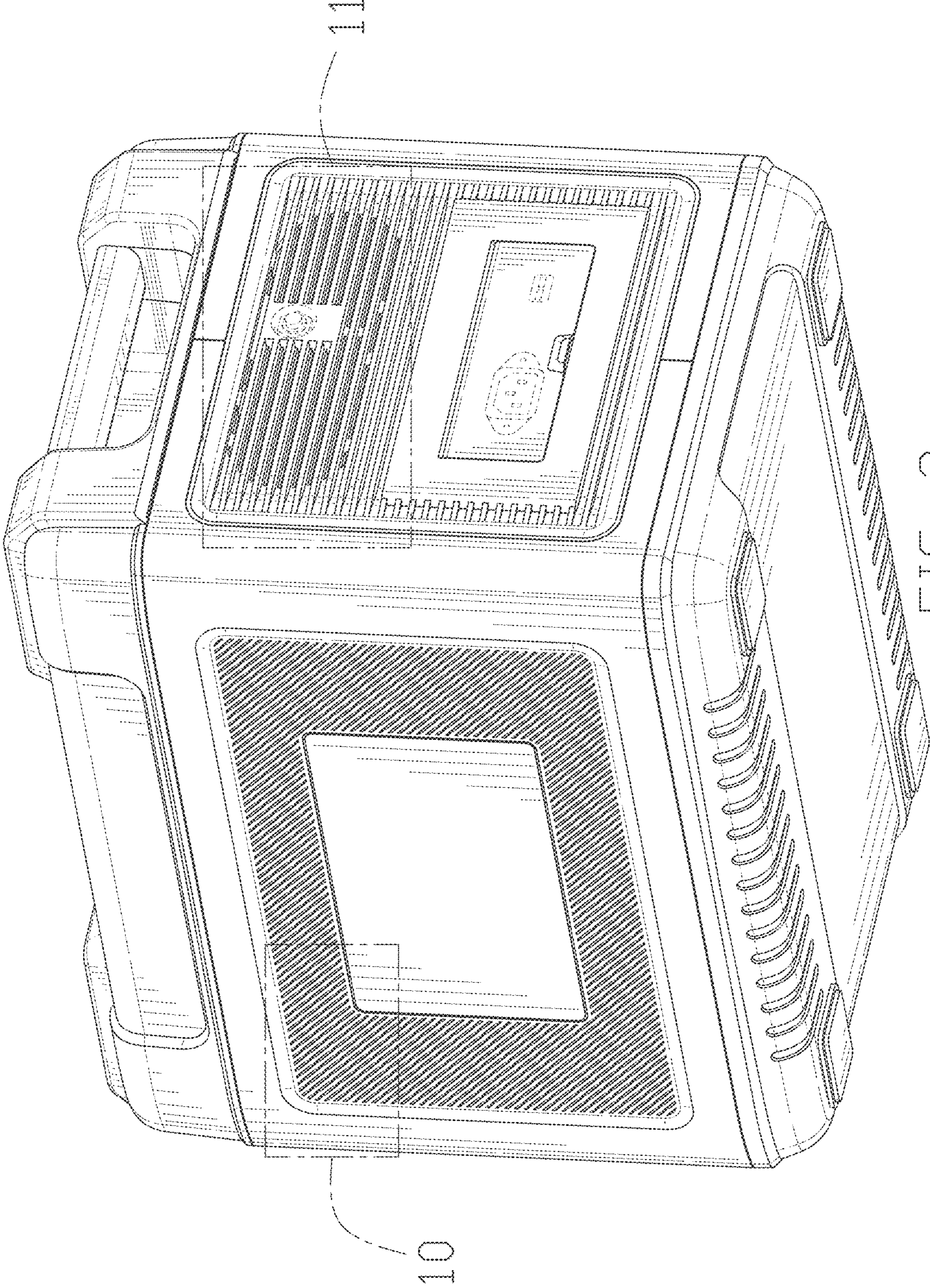


FIG. 2

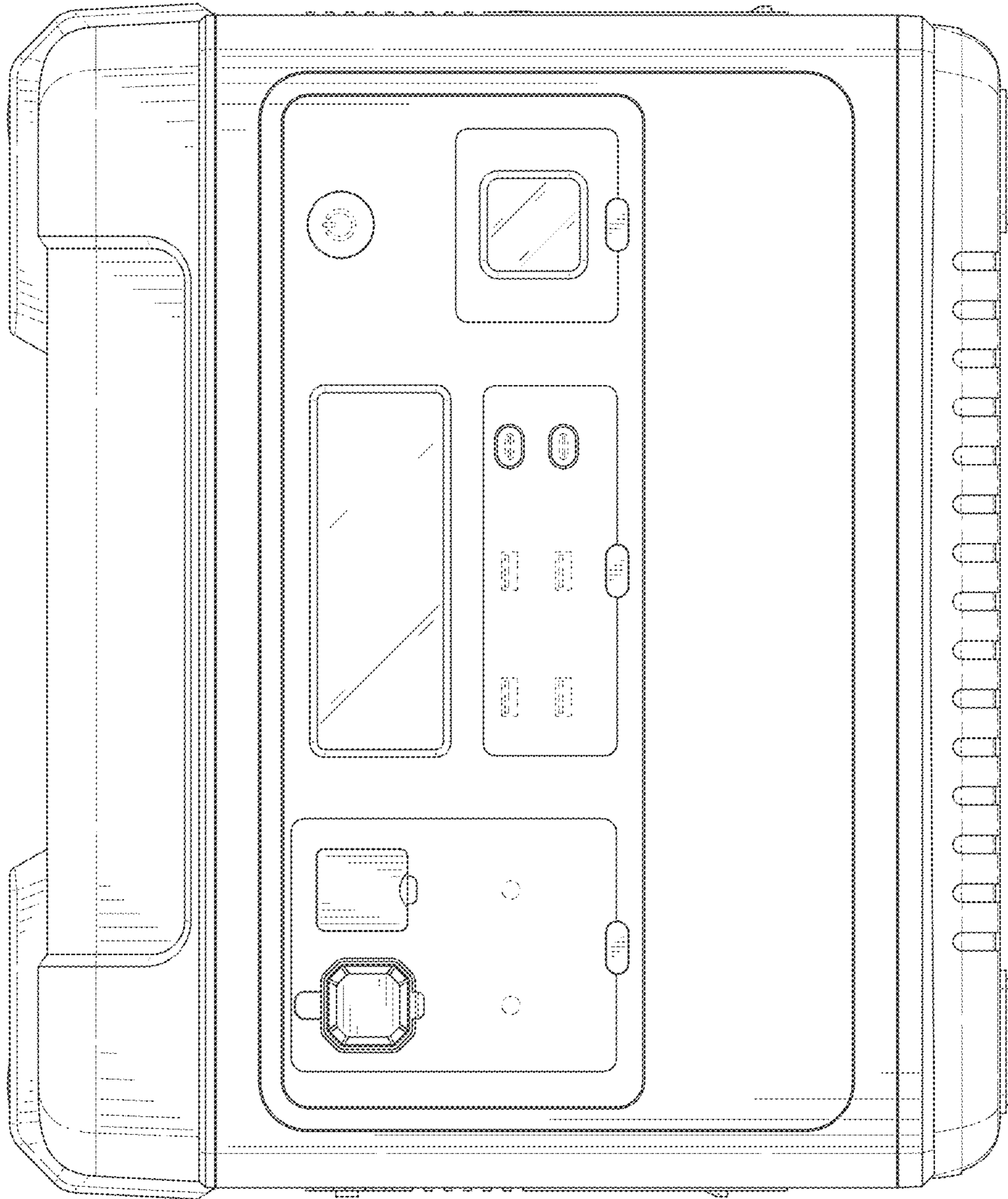


FIG. 3

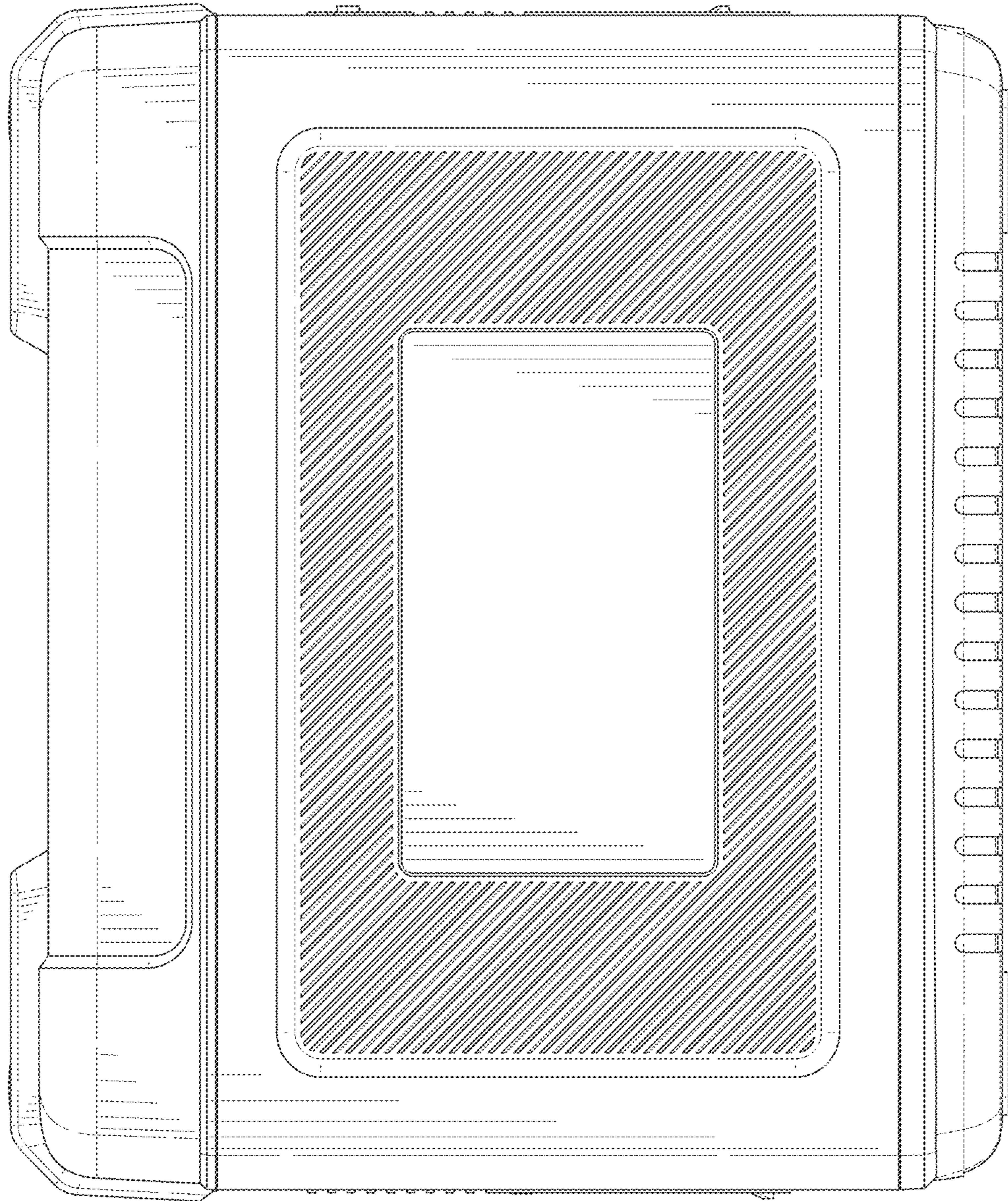


FIG. 4

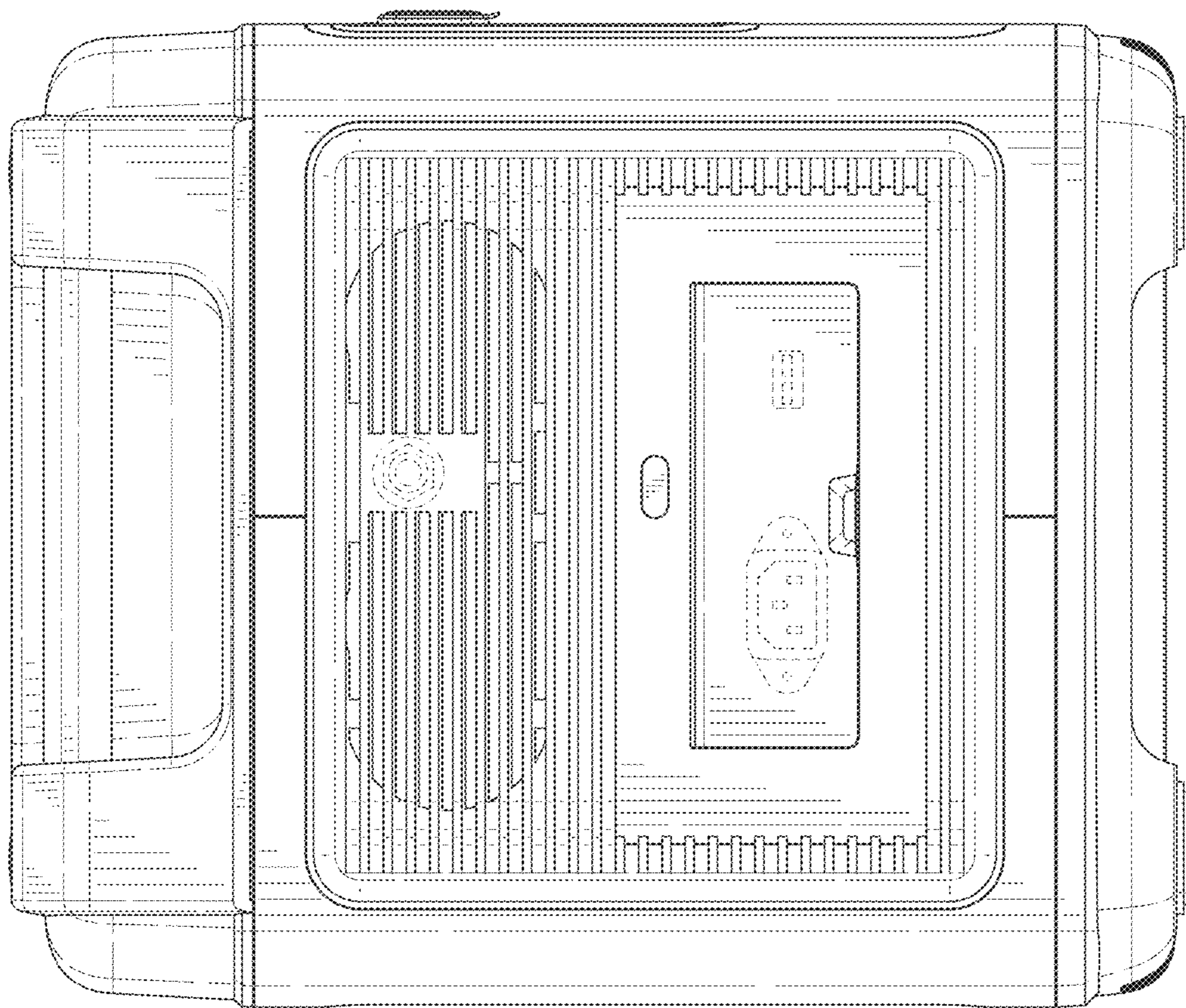


FIG. 5

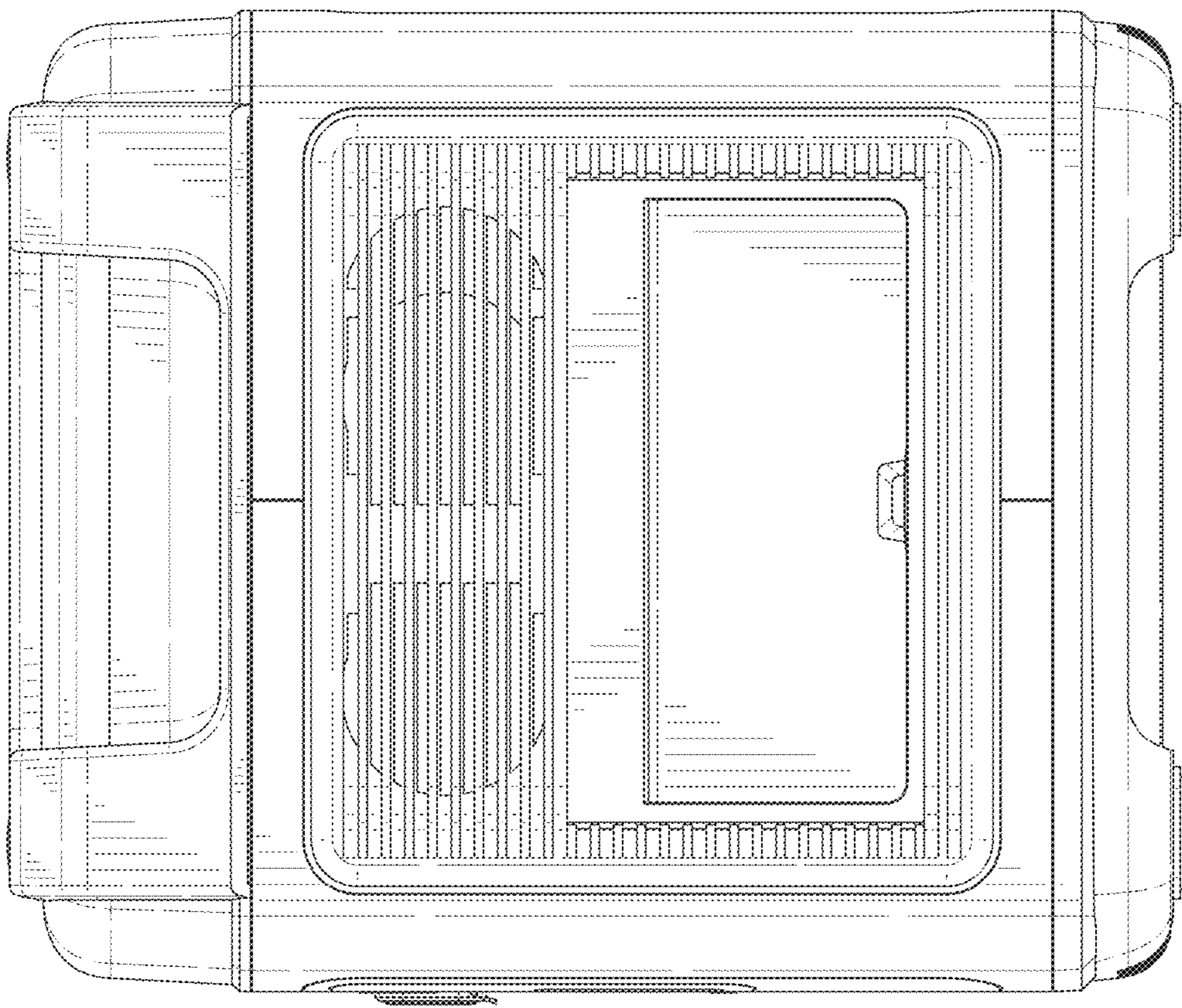


FIG. 6

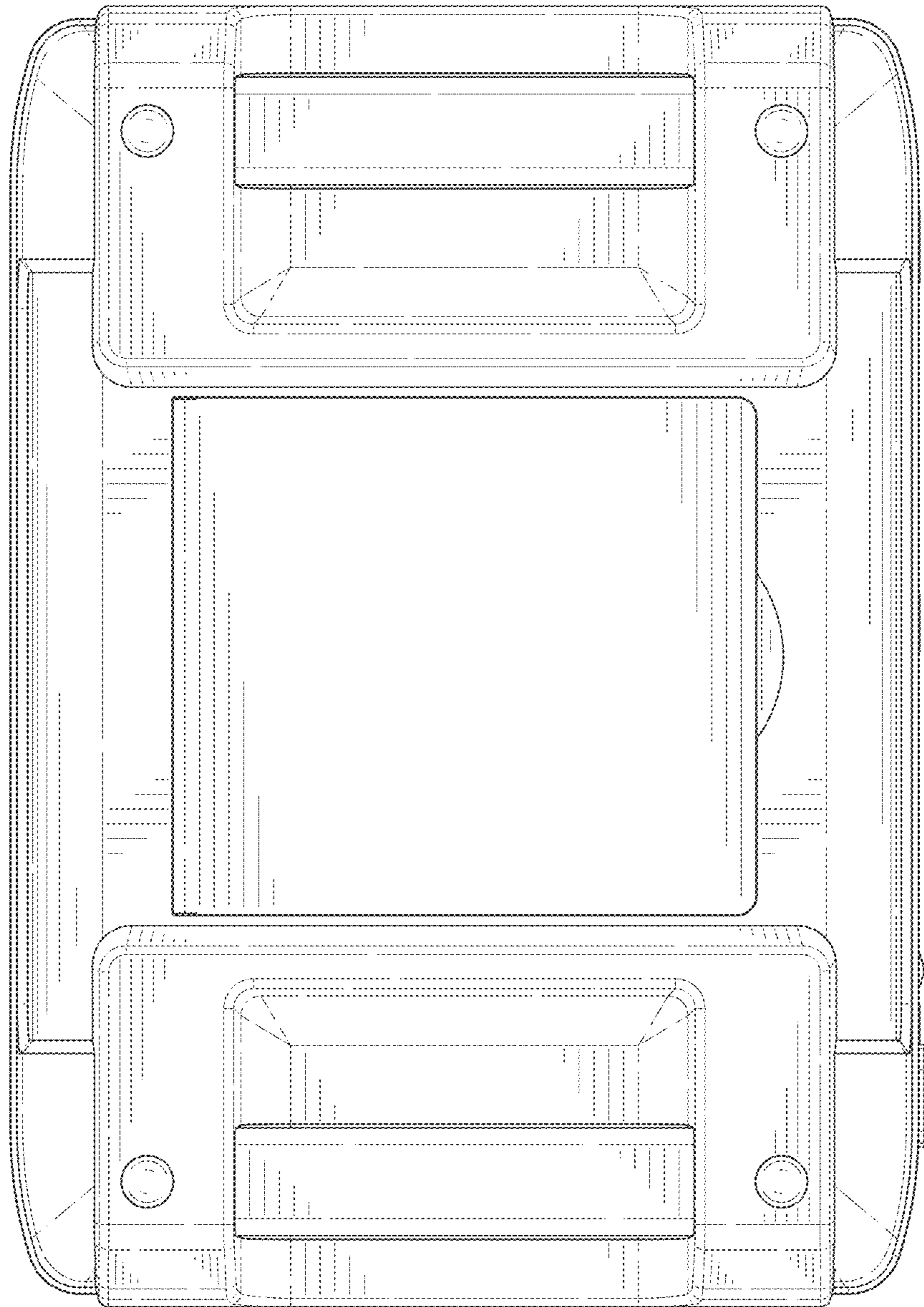


FIG. 7

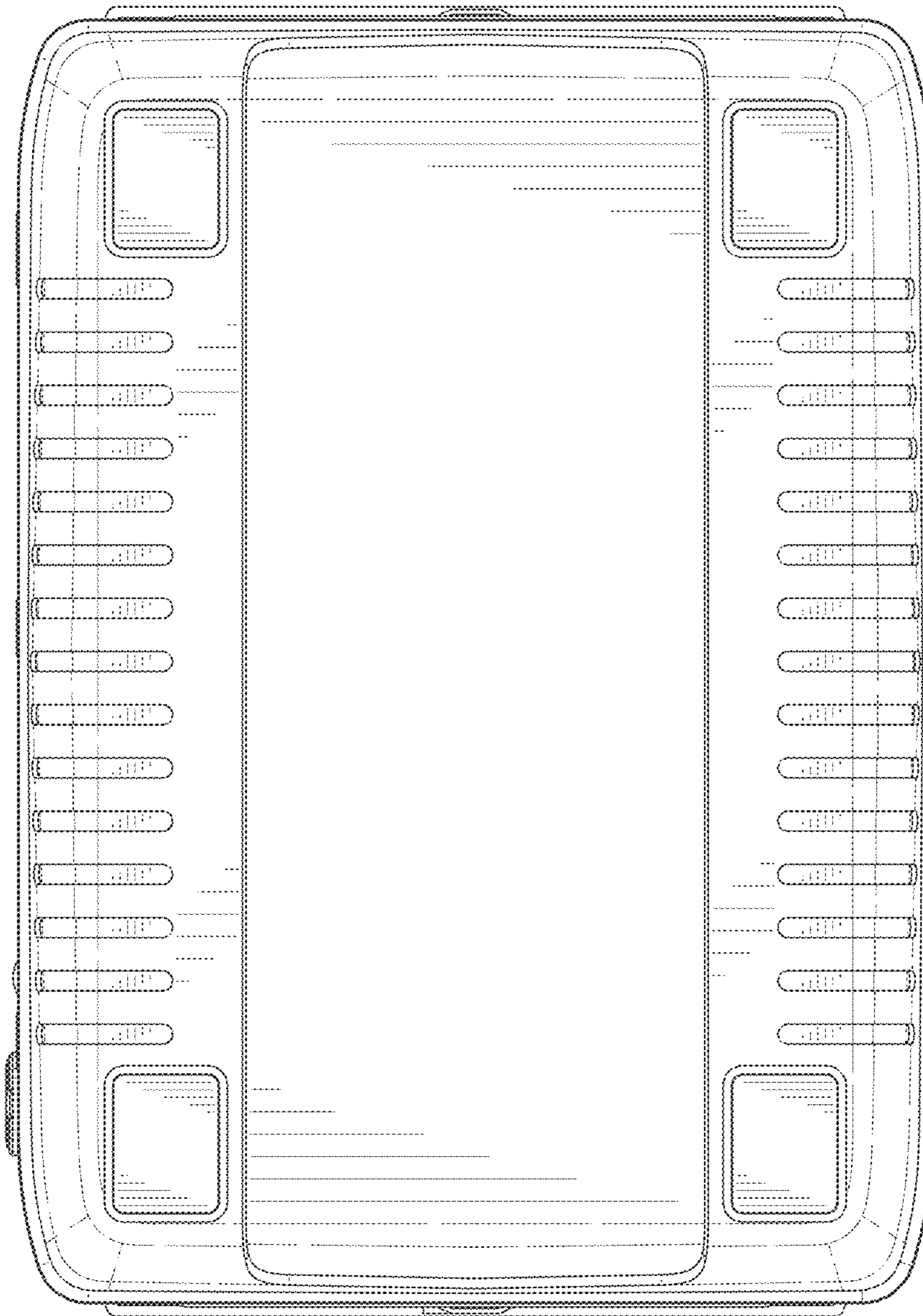


FIG. 8

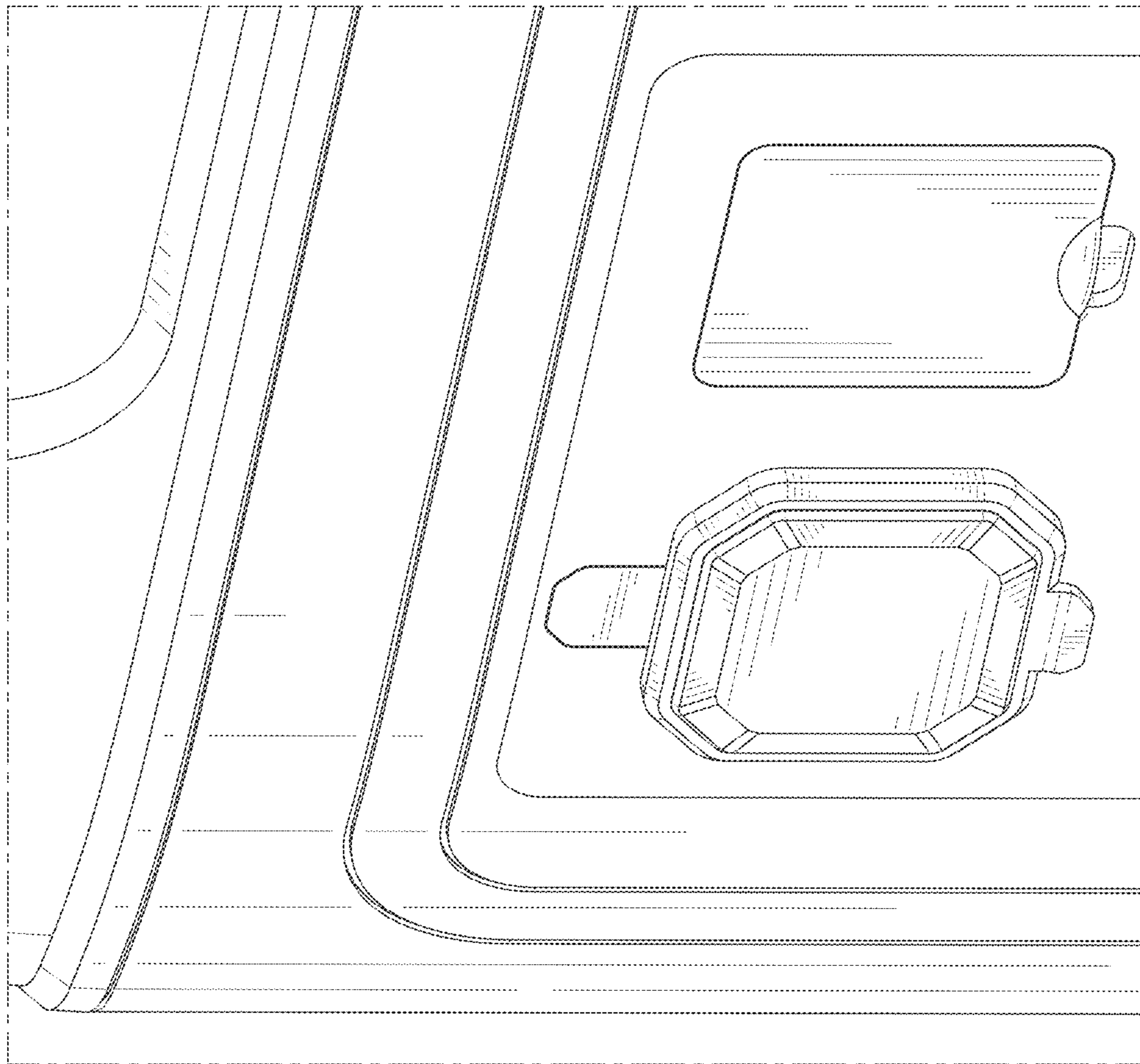


FIG. 9

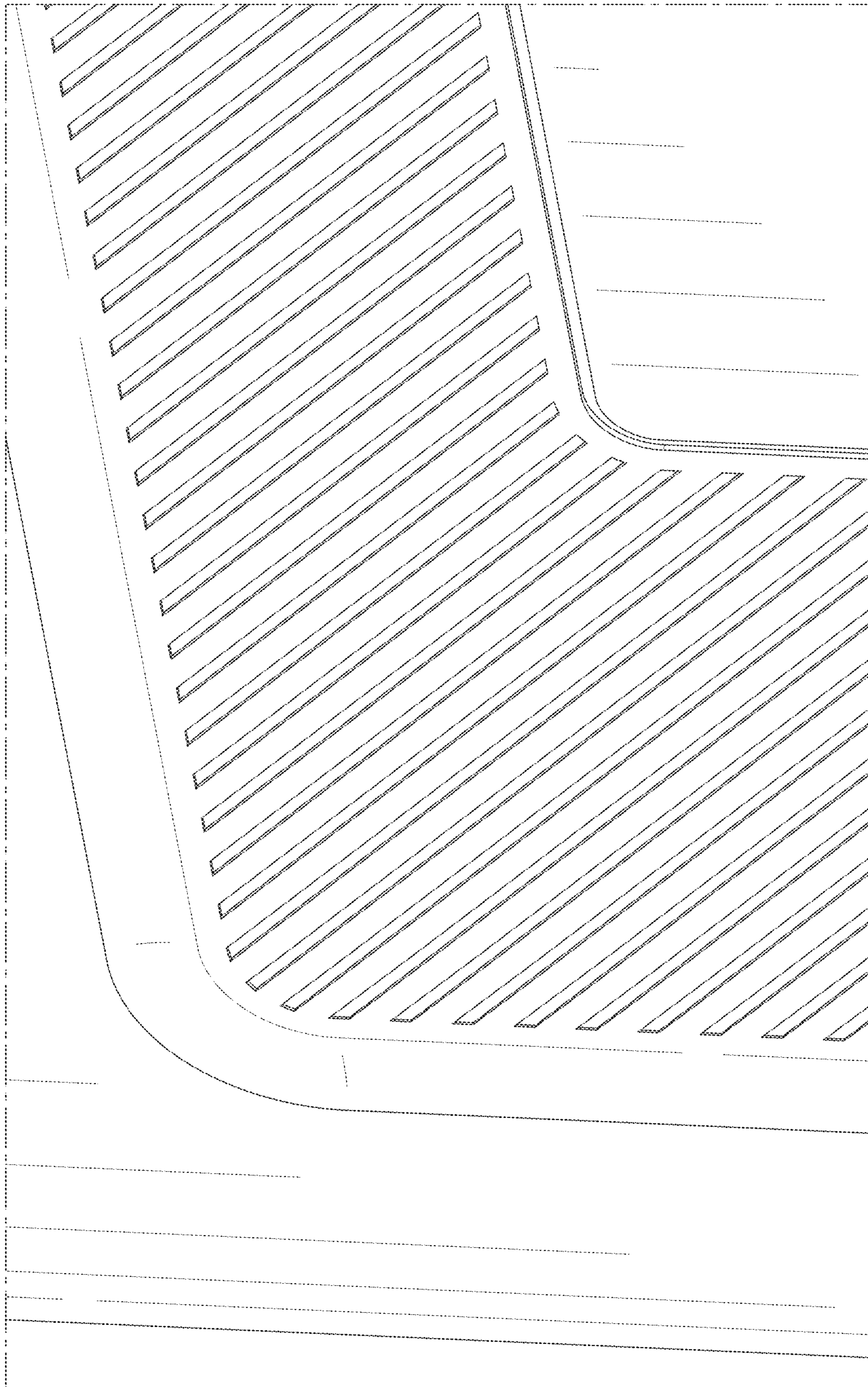


FIG. 10



FIG. 11