



US00D983734S

(12) **United States Design Patent**
Yang et al.

(10) **Patent No.:** **US D983,734 S**
(45) **Date of Patent:** **** Apr. 18, 2023**

(54) **ENERGY STORAGE BOX**

(71) Applicant: **GUANGDONG TIANCHI NEW ENERGY TECHNOLOGY CO., LTD**, Huizhou (CN)

(72) Inventors: **Jinping Yang**, Huizhou (CN); **Zan Liu**, Huizhou (CN); **Xiangsong Li**, Huizhou (CN)

(73) Assignee: **GUANGDONG TIANCHI NEW ENERGY TECHNOLOGY CO., LTD**, Huizhou (CN)

(**) Term: **15 Years**

(21) Appl. No.: **29/804,230**

(22) Filed: **Aug. 19, 2021**

(51) **LOC (14) Cl.** **13-02**

(52) **U.S. Cl.**
USPC **D13/103; D13/108**

(58) **Field of Classification Search**
USPC D13/102–110, 118–119, 184, 199;
D14/356, 432
CPC Y02E 60/10; Y02E 60/50; H01M 10/44;
H01M 10/46; H01M 10/465; H01M 10/482;
H01M 2200/30; H01M 2250/30; H01M 2250/40;
H02J 7/00; H02J 7/0003; H02J 7/0013;
H04M 1/0283; H04B 1/3888; A45C 2011/002
See application file for complete search history.

(56) **References Cited**

U.S. PATENT DOCUMENTS

D695,680 S * 12/2013 Workman D13/106
D887,357 S * 6/2020 Liao D13/110

| | | | | |
|-------------------|---------|-----|-------|-----------|
| D897,284 S * | 9/2020 | Sun | | D13/103 |
| D911,953 S * | 3/2021 | Yin | | D13/103 |
| D930,585 S * | 9/2021 | Yu | | D13/110 |
| D942,932 S * | 2/2022 | Yin | | D13/107 |
| D944,193 S * | 2/2022 | Sun | | D13/107 |
| D953,256 S * | 5/2022 | Lou | | D13/107 |
| D959,365 S * | 8/2022 | Sun | | D13/103 |
| D960,096 S * | 8/2022 | Li | | D13/110 |
| D969,073 S * | 11/2022 | Tu | | D13/107 |
| D970,435 S * | 11/2022 | Guo | | D13/107 |
| 2019/0013686 A1 * | 1/2019 | Ma | | G06F 3/01 |

* cited by examiner

Primary Examiner — Nathaniel D. Buckner

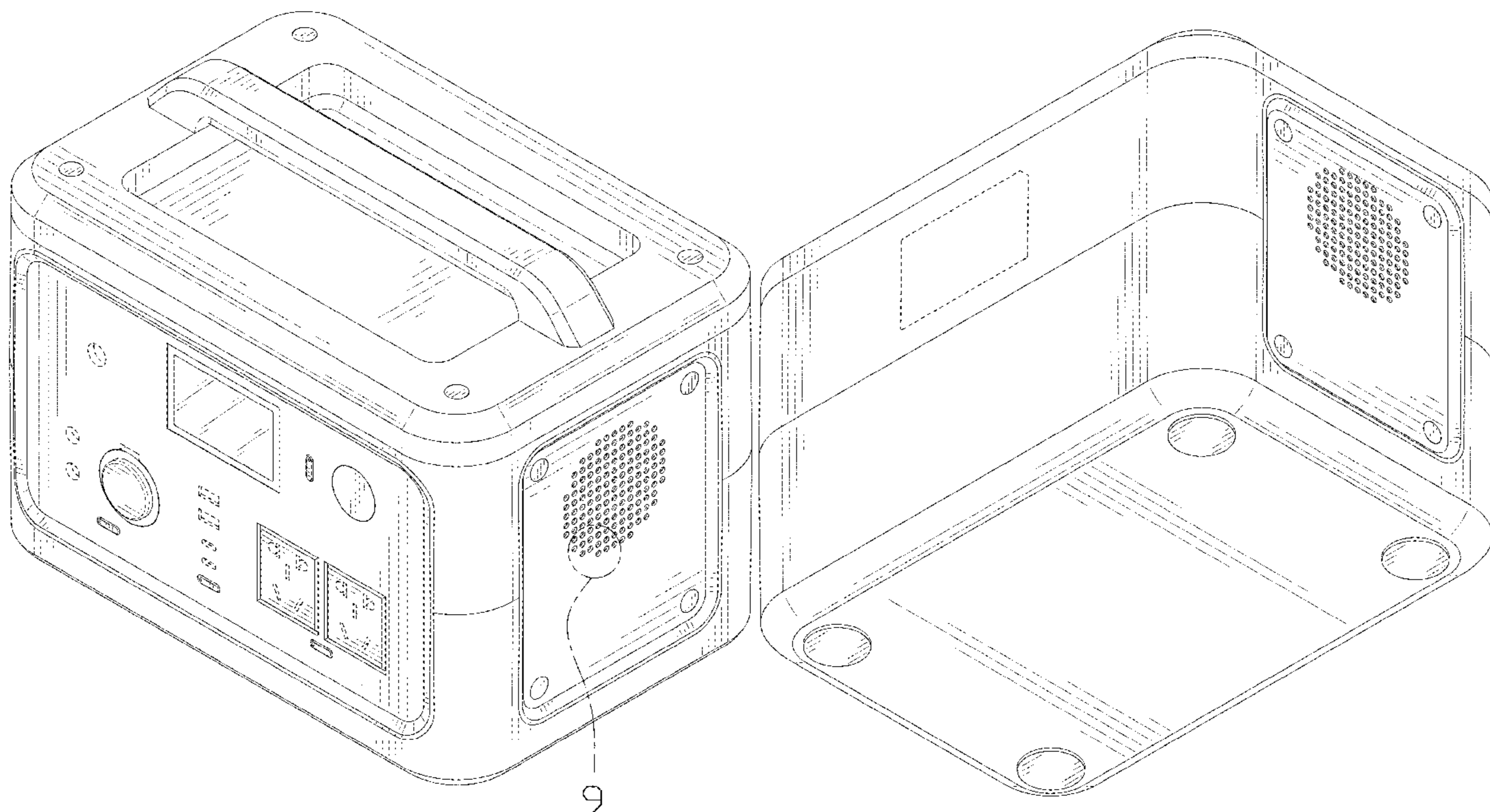
(57) **CLAIM**

The ornamental design for an energy storage box, as shown and described.

DESCRIPTION

FIG. 1 is a perspective view of an energy storage box showing my new design;
FIG. 2 is another perspective view thereof;
FIG. 3 is a front elevational view thereof;
FIG. 4 is a rear elevational view thereof;
FIG. 5 is a left side elevational view thereof;
FIG. 6 is a right side elevational view thereof;
FIG. 7 is a top plan view thereof;
FIG. 8 is a bottom plan view thereof; and,
FIG. 9 is an enlarged view of portion 9 shown in FIG. 1.
The dash-dash broken lines in the drawings depict portions of the energy storage box that form no part of the claimed design. The dot-dash broken lines represent boundaries of the enlarged portion and form no part of the claimed design.

1 Claim, 9 Drawing Sheets



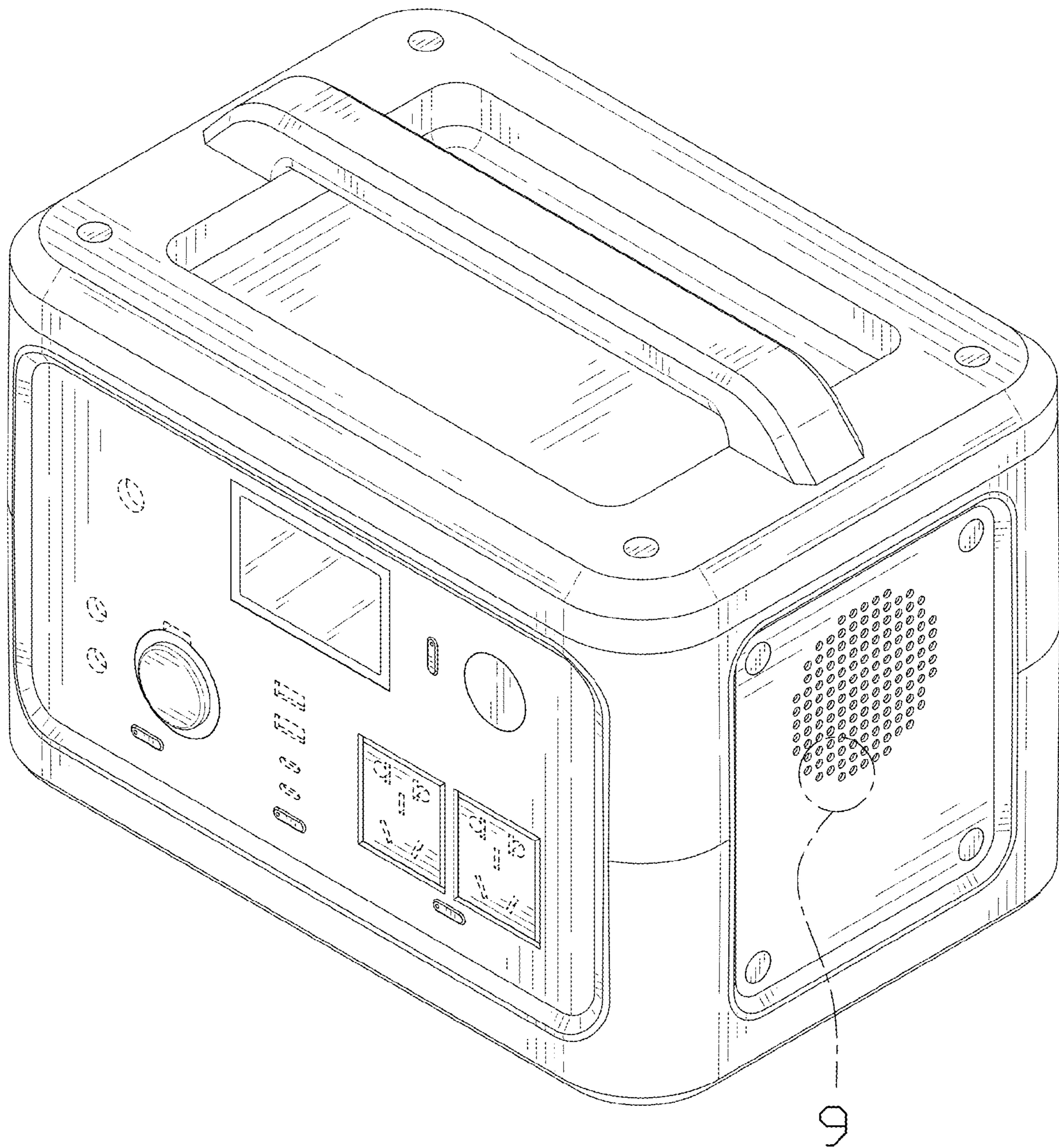


FIG. 1

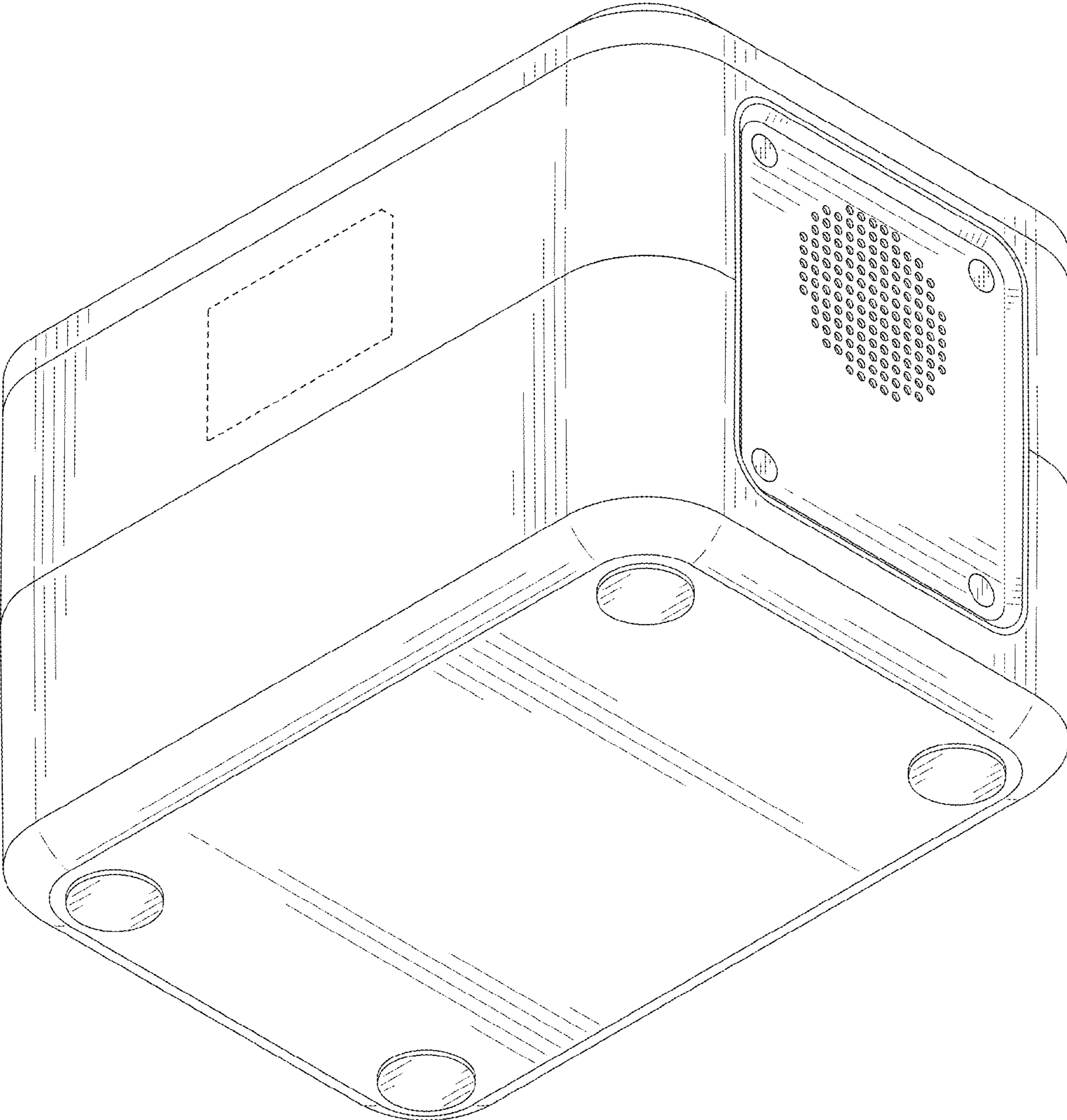


FIG. 2

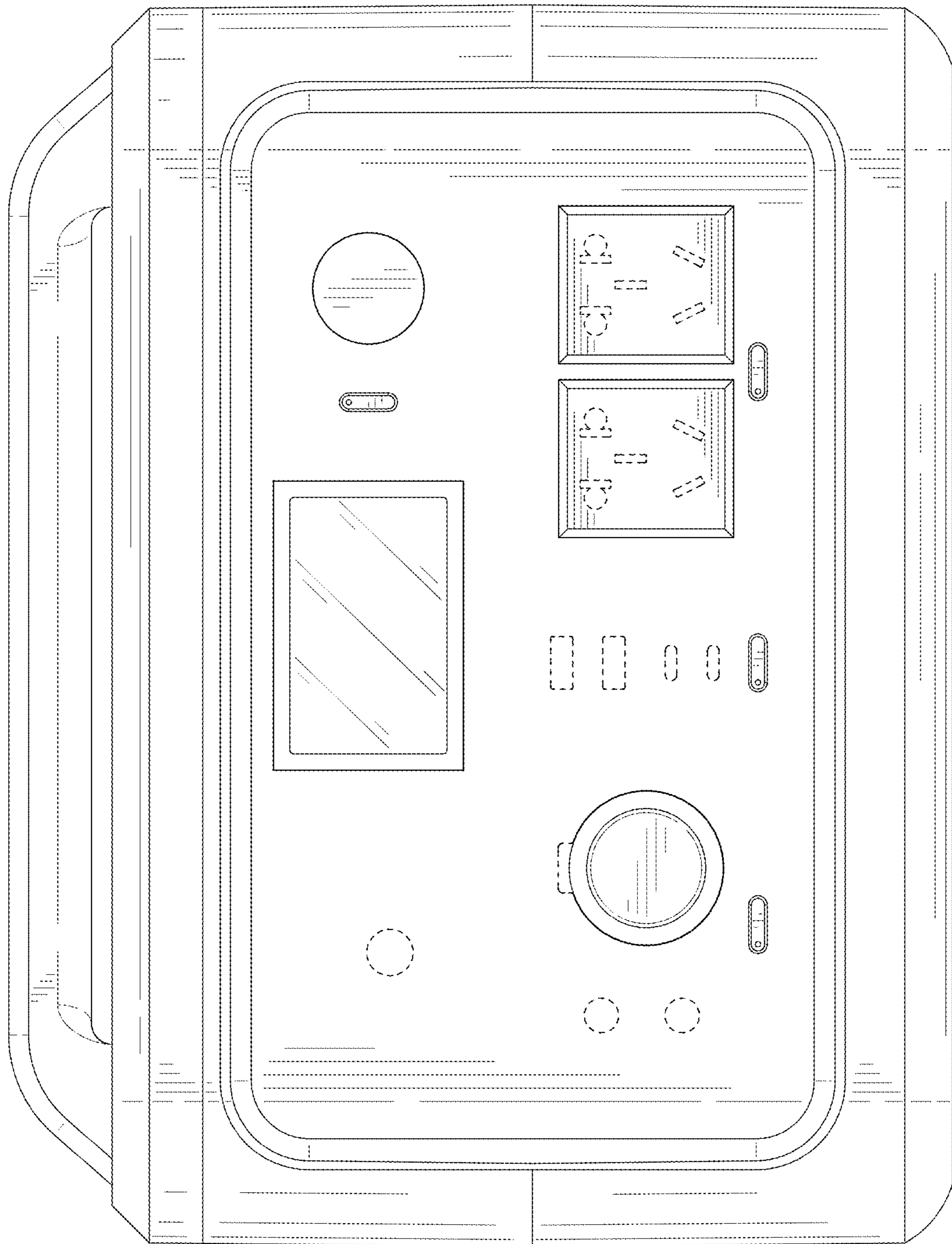


FIG. 3

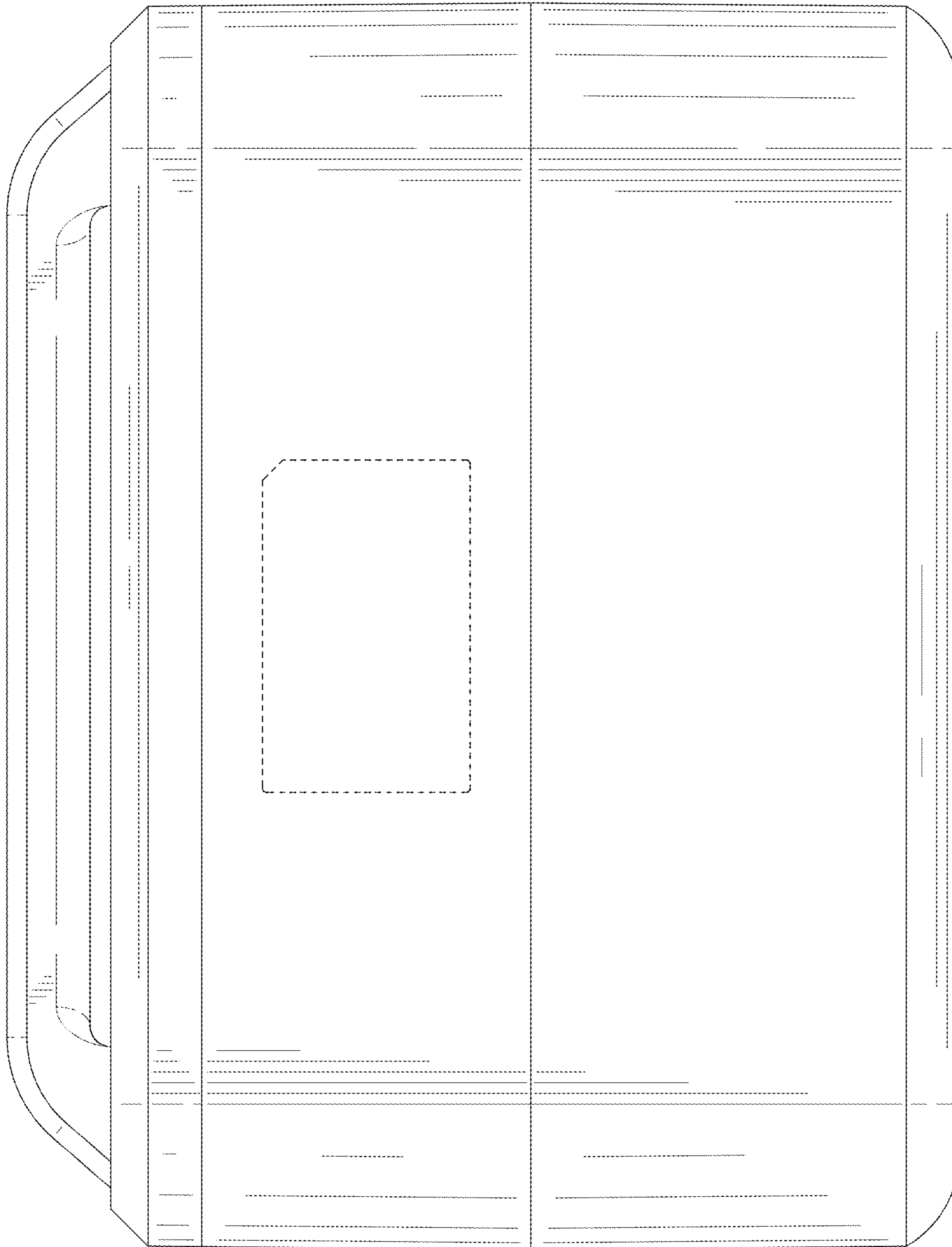


FIG. 4

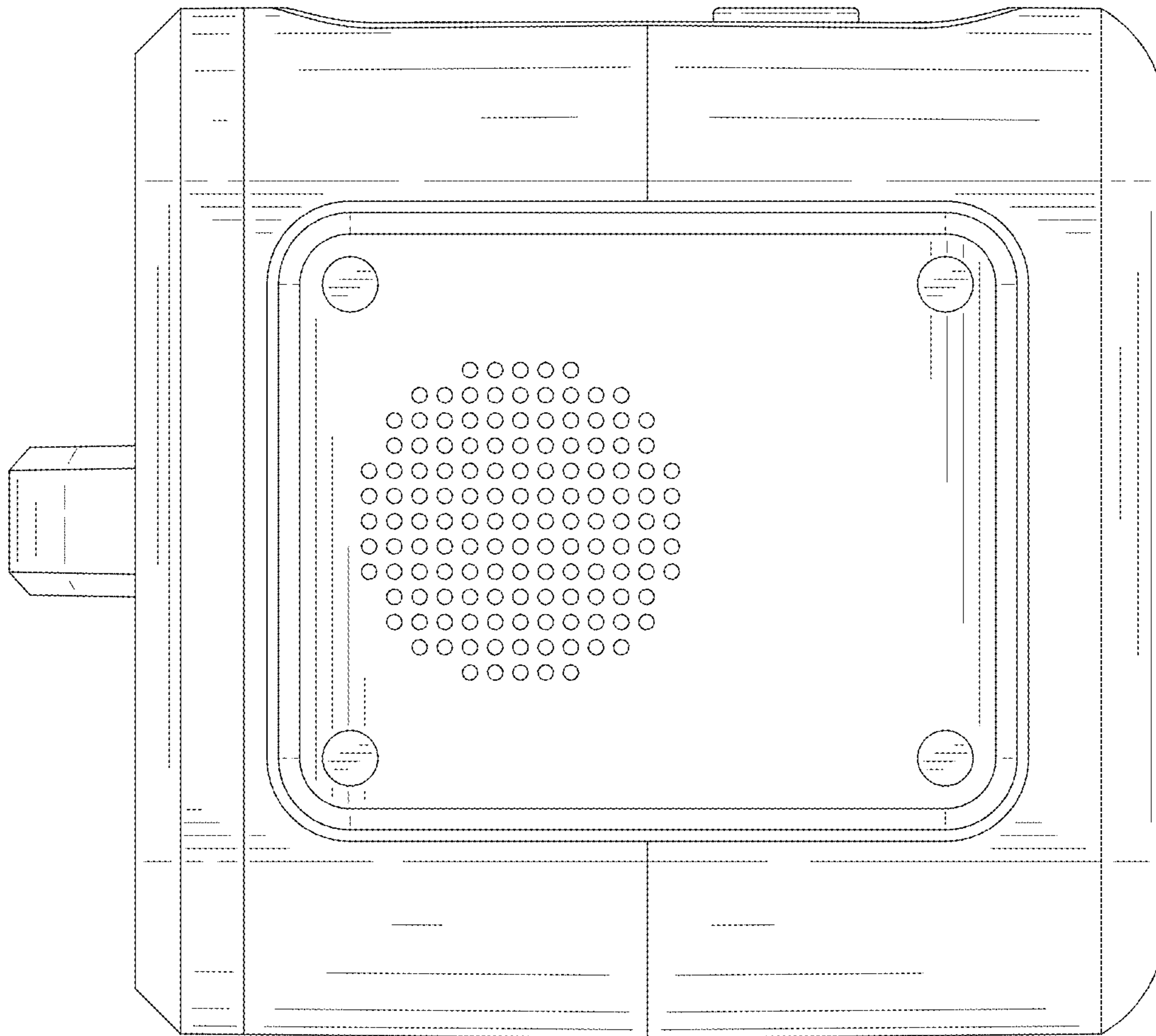


FIG. 5

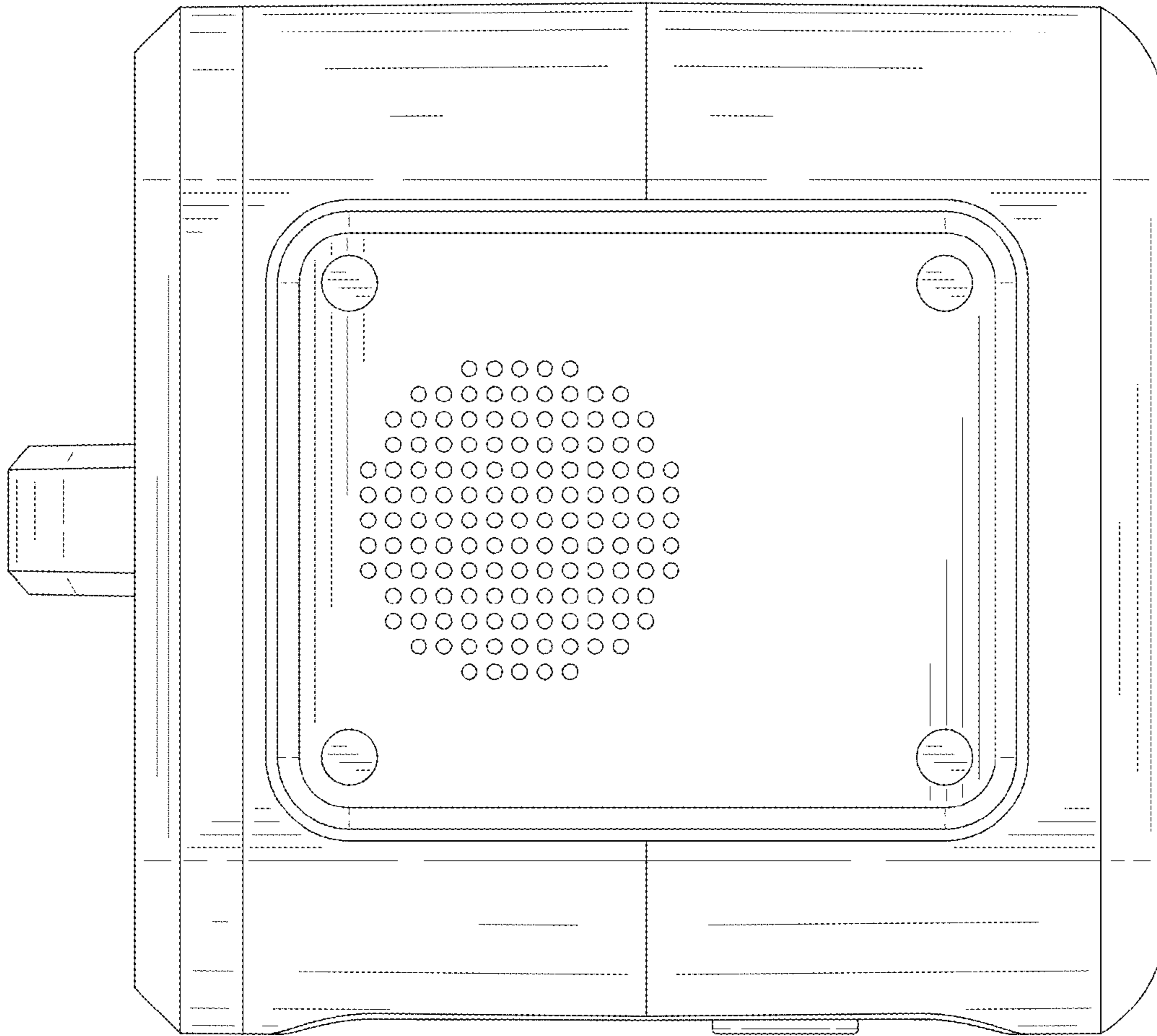


FIG. 6

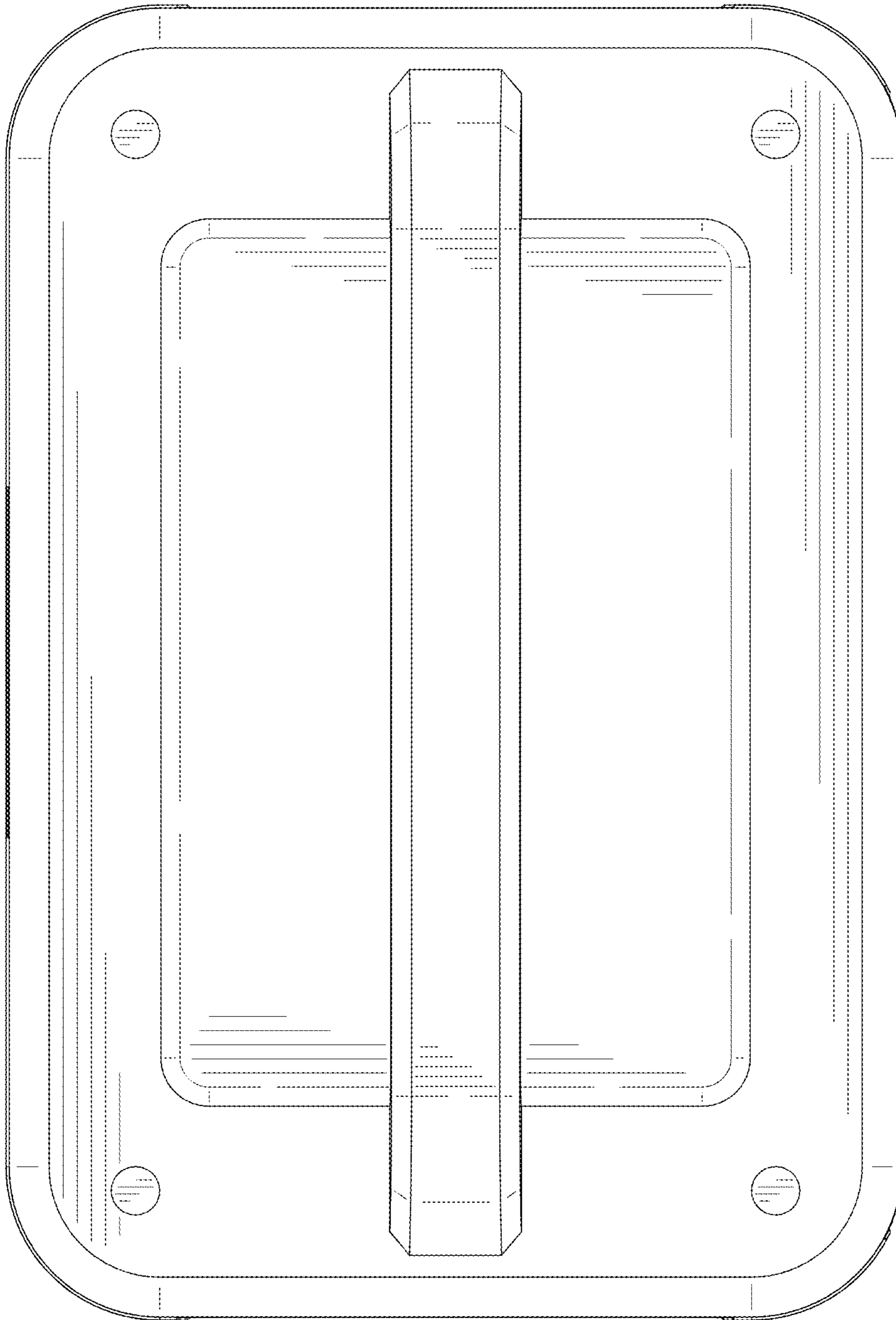


FIG. 7

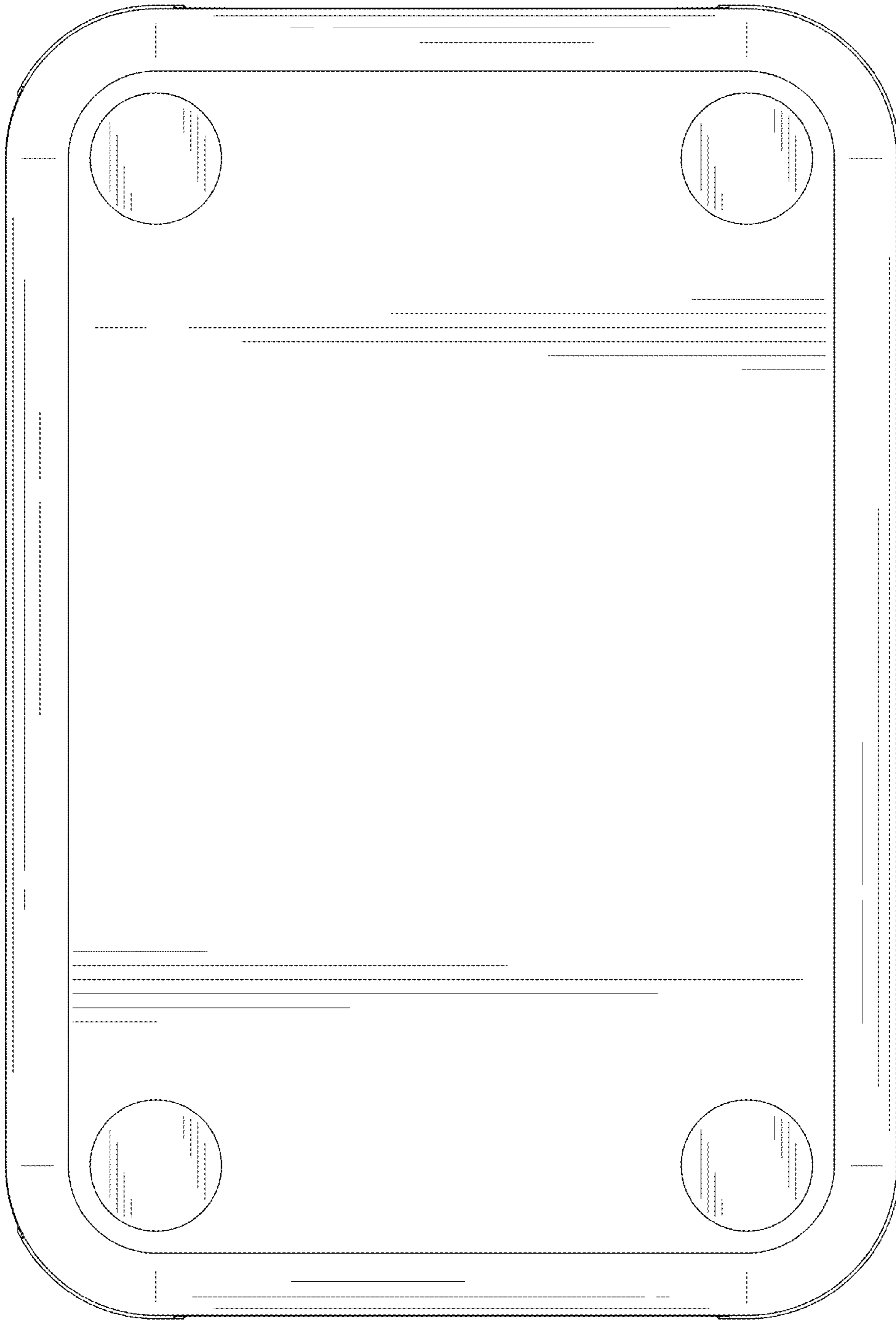


FIG. 8

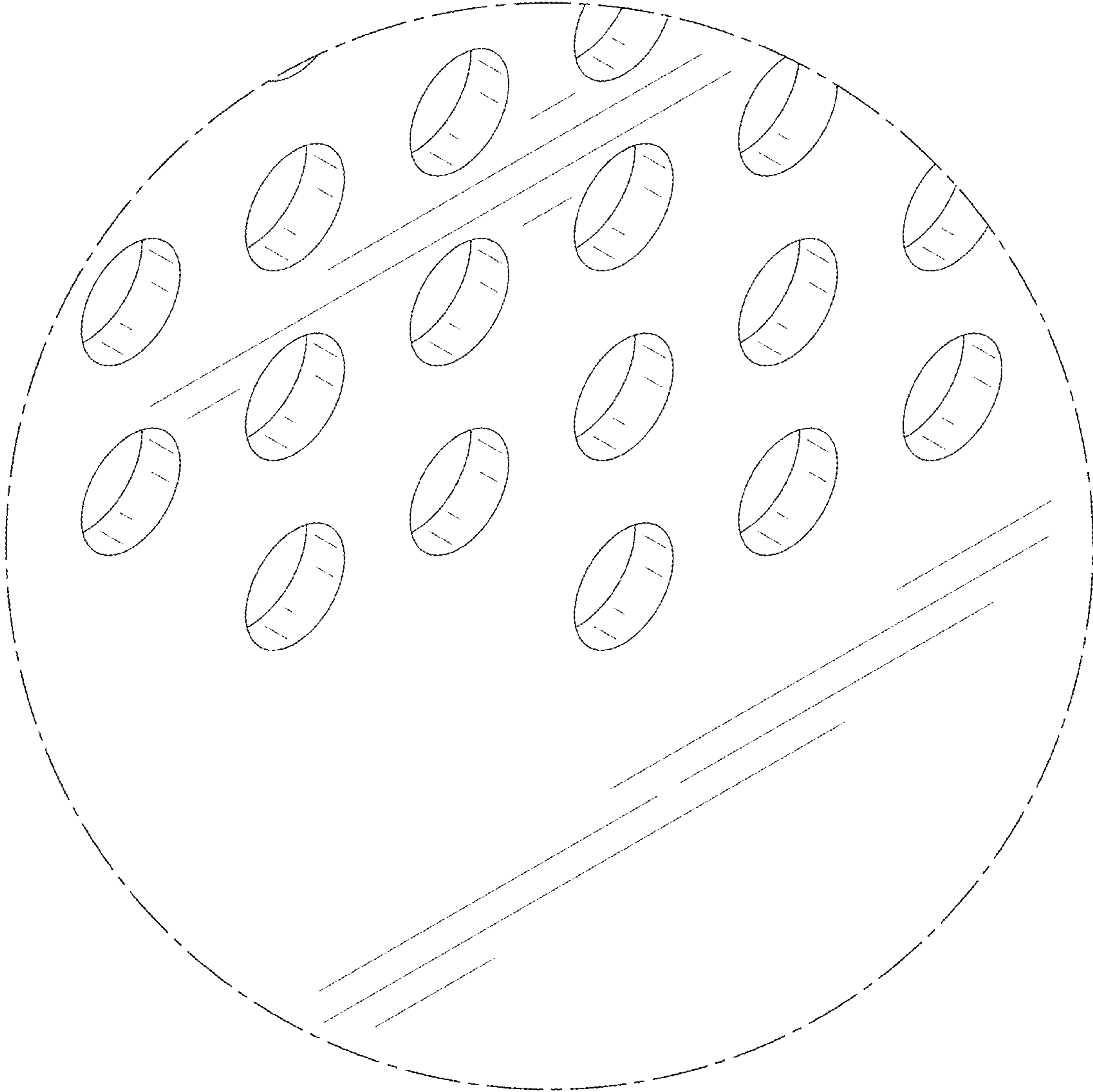


FIG. 9