



US00D983723S

(12) **United States Design Patent** (10) **Patent No.:** **US D983,723 S**  
**Muto** (45) **Date of Patent:** **\*\* Apr. 18, 2023**

(54) **INFORMATION DISPLAY FOR ELECTRIC CAR**

(71) Applicant: **Panasonic Intellectual Property Management Co., Ltd.**, Osaka (JP)

(72) Inventor: **Kanji Muto**, Kanagawa (JP)

(73) Assignee: **Panasonic Intellectual Property Management Co., Ltd.**, Osaka (JP)

(\*\*) Term: **15 Years**

(21) Appl. No.: **29/769,595**

(22) Filed: **Feb. 5, 2021**

(30) **Foreign Application Priority Data**

Aug. 31, 2020 (JP) ..... 2020-018330 D

(51) **LOC (14) Cl.** ..... **12-16**

(52) **U.S. Cl.**  
USPC ..... **D12/415**

(58) **Field of Classification Search**  
USPC ..... D12/1, 192, 415; D13/162, 164, 184;  
D19/88, 113; D20/39, 42; D21/324-325,  
(Continued)

(56) **References Cited**

**U.S. PATENT DOCUMENTS**

D413,148 S \* 8/1999 Ferguson ..... D20/40  
D762,602 S \* 8/2016 Han ..... D14/126  
(Continued)

**FOREIGN PATENT DOCUMENTS**

CN 307718571 \* 12/2022  
GB 9007734652-0002 \* 3/2020  
WO D222296-001 \* 9/2022

**OTHER PUBLICATIONS**

Niuto Portable Monitor 144hz 17.3 100% sRGB FHD HDR IPS  
1920x1080 VESA Ultra-Slim Screen, available in Amazon.com,

date first available Oct. 13, 2022 [online], [site visited Jan. 17, 2023], Available from the internet URL: [https://www.amazon.com/Niuto-Portable-1920x1080-Ultra-Slim-Speakers/dp/B0BJ2PLZKL/ref=sr\\_1\\_22\\_sspa?](https://www.amazon.com/Niuto-Portable-1920x1080-Ultra-Slim-Speakers/dp/B0BJ2PLZKL/ref=sr_1_22_sspa?)\*

(Continued)

*Primary Examiner* — Darlington Ly  
*Assistant Examiner* — D. Ryan Tisdale  
(74) *Attorney, Agent, or Firm* — Panasonic IP Management; Kerry S. Culpepper

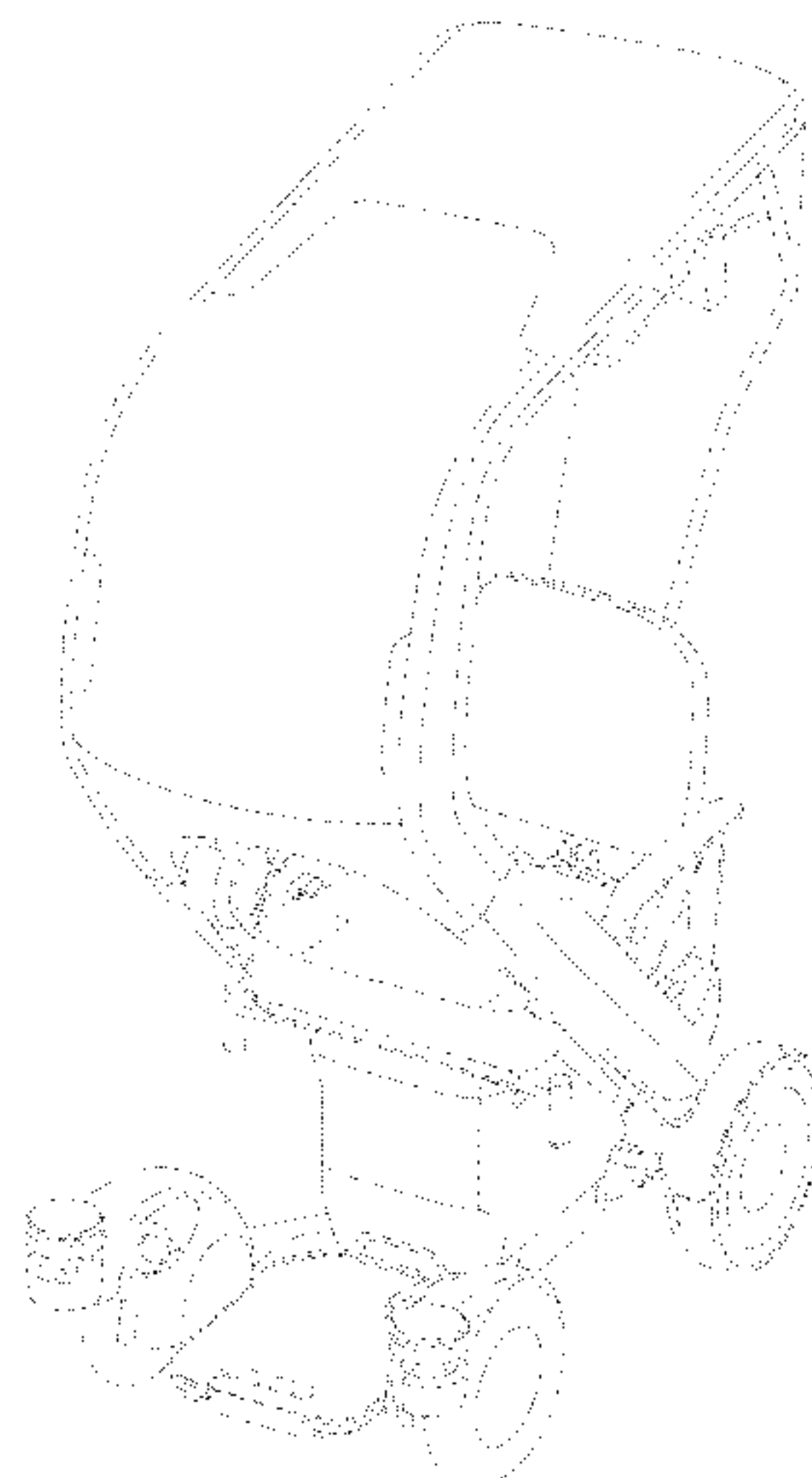
(57) **CLAIM**

I claim the ornamental design for an information display for electric car, as shown and described.

**DESCRIPTION**

FIG. 1 is a front perspective view of an information display for electric car of the present invention; FIG. 2 is a rear perspective view thereof; FIG. 3 is a front view thereof; FIG. 4 is a rear view thereof; FIG. 5 is a first side view thereof; FIG. 6 is a second side view thereof; FIG. 7 is a top view thereof; FIG. 8 is a bottom view thereof; FIG. 9 is a cross-sectional view taken along the line 9-9 in FIG. 3 with the internal parts being omitted; FIG. 10 is a cross-sectional view taken along the line 9-9 in FIG. 3 with the internal parts being omitted, showing a state in which the information display unit is moved; FIG. 11 is a cross-sectional view taken along the line 9-9 in FIG. 3 with the internal parts being omitted, showing a state in which the information display unit is moved; and, FIG. 12 is a cross-sectional view taken along the line 12-12 in FIG. 6 with the internal parts being omitted. The broken lines in the drawings represent portions of the information display for electric car that form no part of the claimed design. The dot-dash broken lines represents the bounds of the claimed designs and form no part of the claimed design.

**1 Claim, 12 Drawing Sheets**



(58) **Field of Classification Search**

USPC ..... D21/329; D24/160, 186; D14/126, 214,  
D14/300, 305, 307, 336–337, 371,  
D14/374–384, 388–389, 432, 444–445,  
D14/448, 450; D10/15, 21, 24, 104.1,  
D10/106.95

CPC ..... E04H 1/1272; E04H 1/1222; G09F 13/00;  
G09F 9/00; G09F 9/3023; G09F 9/3026

See application file for complete search history.

(56) **References Cited**

U.S. PATENT DOCUMENTS

D930,556 S \* 9/2021 Kang ..... D12/415  
D930,559 S \* 9/2021 Diboine ..... D12/415  
D930,562 S \* 9/2021 Diboine ..... D12/415  
D939,502 S \* 12/2021 Lee ..... D14/377  
D958,141 S \* 7/2022 Cho ..... D14/371

2016/0379530 A1\* 12/2016 Lewis ..... F16M 13/02  
248/475.1  
2017/0159873 A1\* 6/2017 Farrell ..... F16M 11/046  
2021/0149447 A1\* 5/2021 Mikawa ..... G06F 3/1446

OTHER PUBLICATIONS

GreenTouch 18.5 Industrial Touch Monitor Open Frame, HDMI/  
VGA/DVI Interface, Built-in Speakers, available in Amazon.com,  
date first available May 17, 2020 [online], [site visited Jan. 17,  
2023]. Available from the internet URL: [https://www.amazon.com/  
GreenTouch-Industrial-Interface-Capacitive-Technology/dp/  
B088R4Q5FL/re.\\*](https://www.amazon.com/GreenTouch-Industrial-Interface-Capacitive-Technology/dp/B088R4Q5FL/re.*)

Nitze Director's Monitor Cage with Adjustable Handles for up to 9"  
LCD Monitor Universal Monitor Cage, available in Amazon.com,  
date first available Dec. 28, 2018 [online], [site visited Jan. 17,  
2023], Available from the internet URL: [https://www.amazon.com/  
iNitze-Monitor-Adjustable-Handles-LCD-Monitors/dp/B07MNZM6ZJ/  
re.\\*](https://www.amazon.com/iNitze-Monitor-Adjustable-Handles-LCD-Monitors/dp/B07MNZM6ZJ/re.*)

\* cited by examiner

FIG. 1

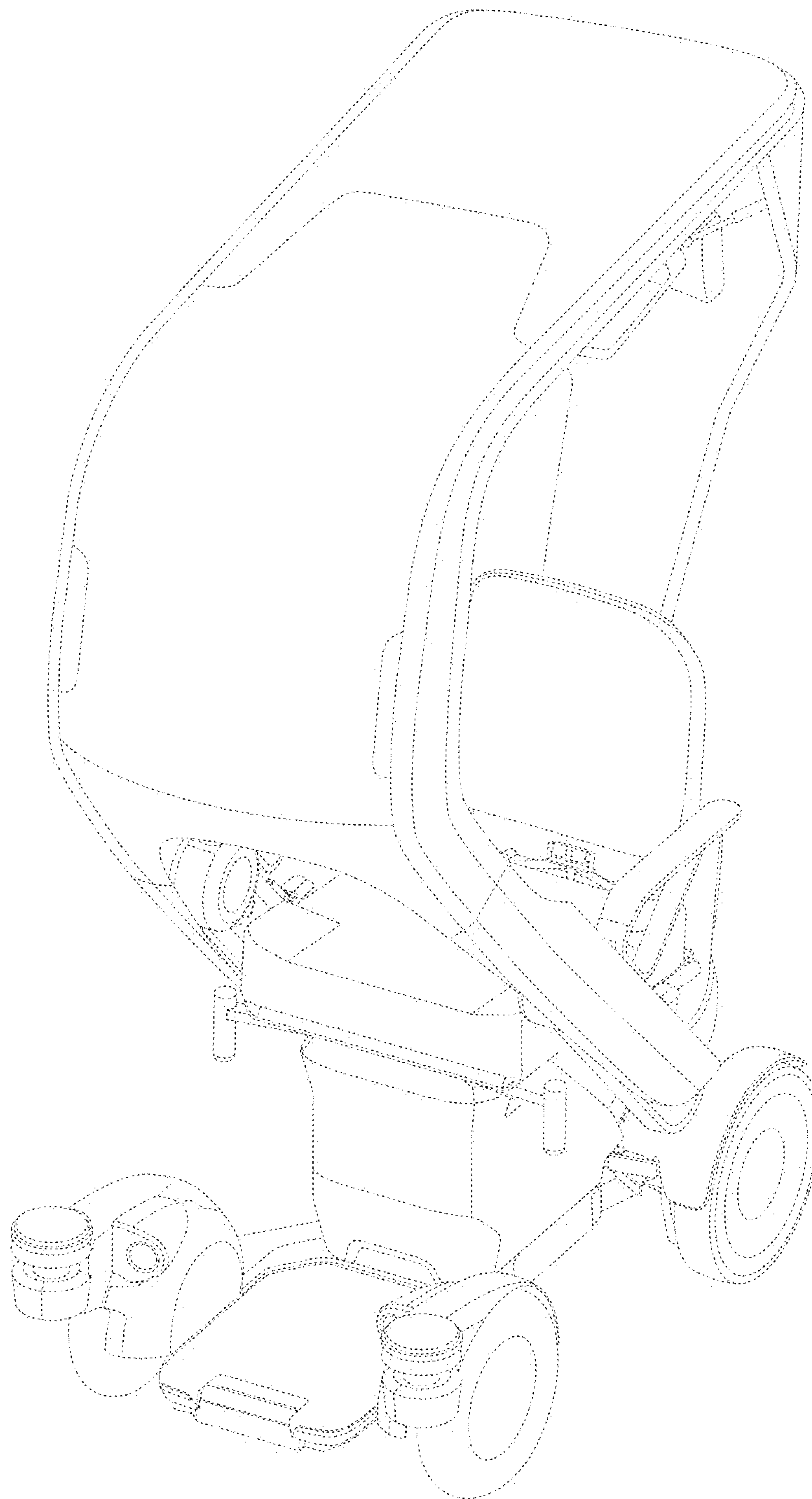


FIG. 2

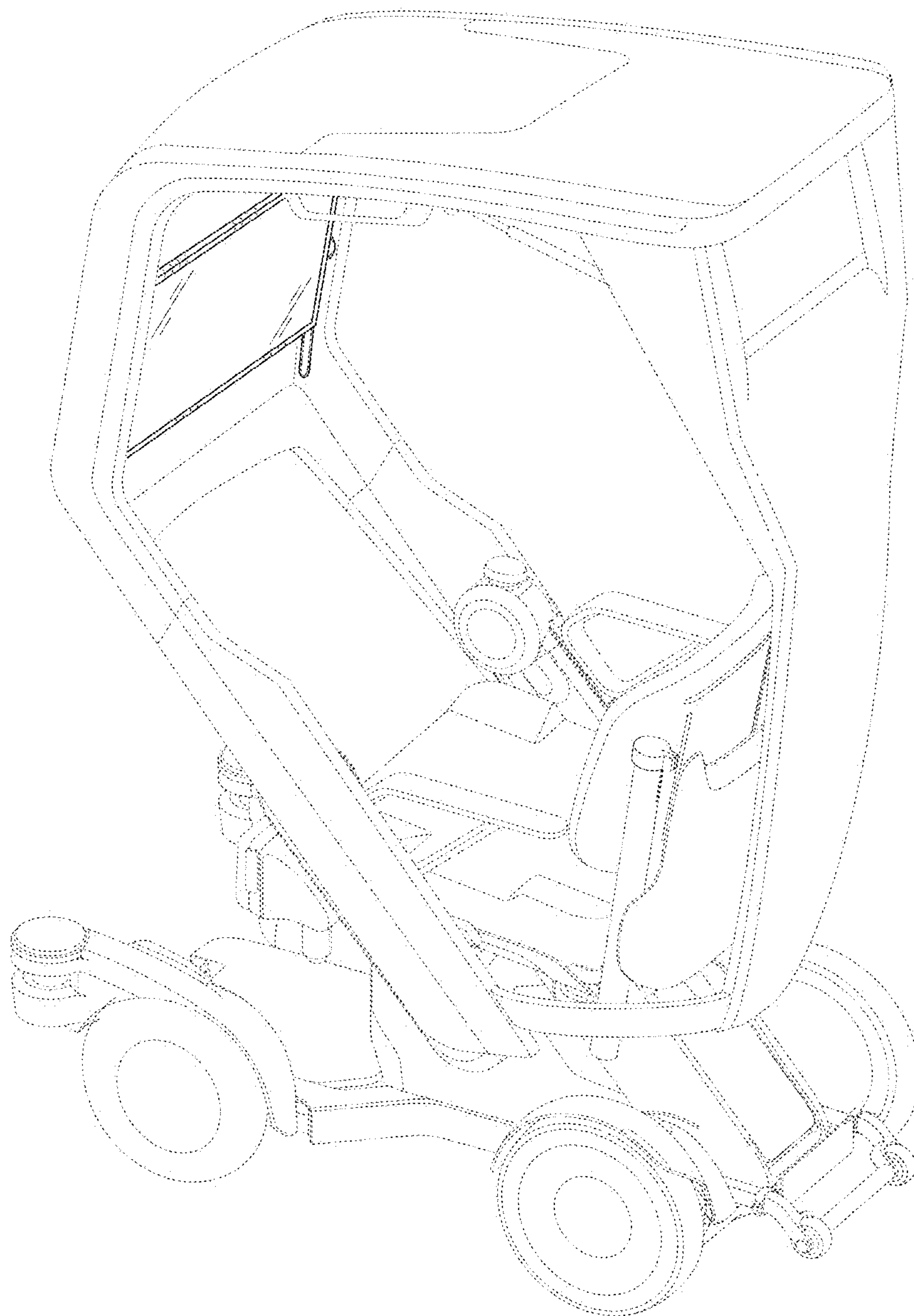




FIG. 3

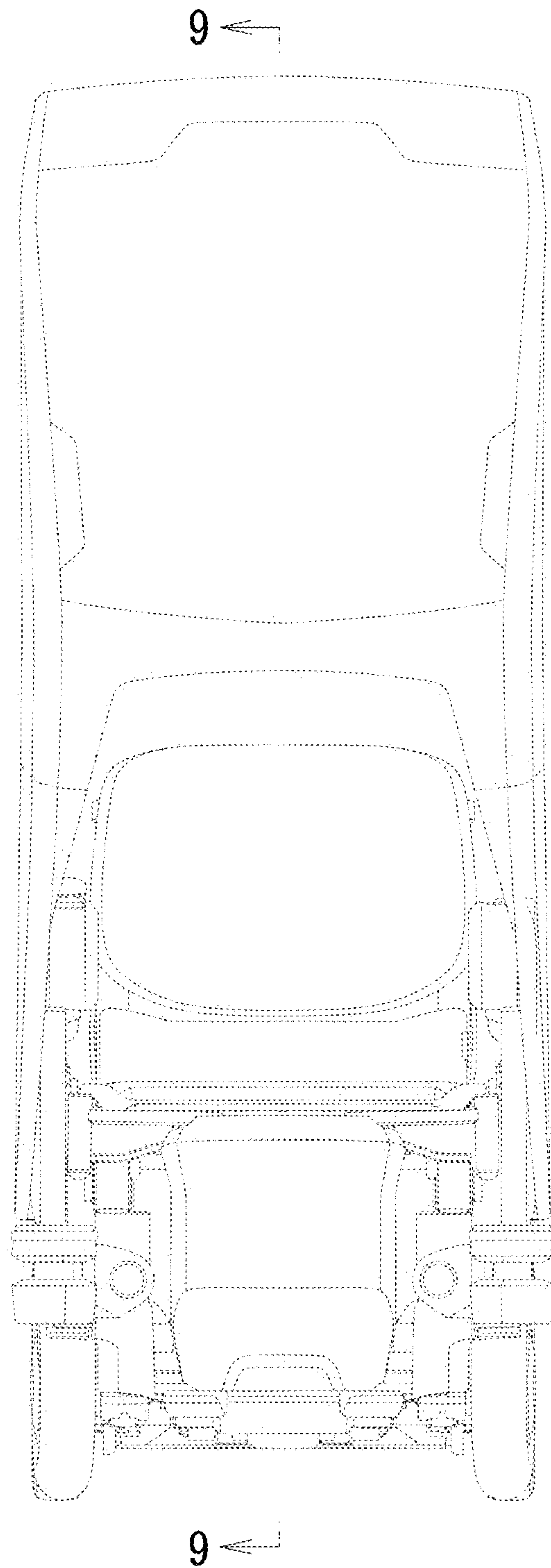


FIG. 4

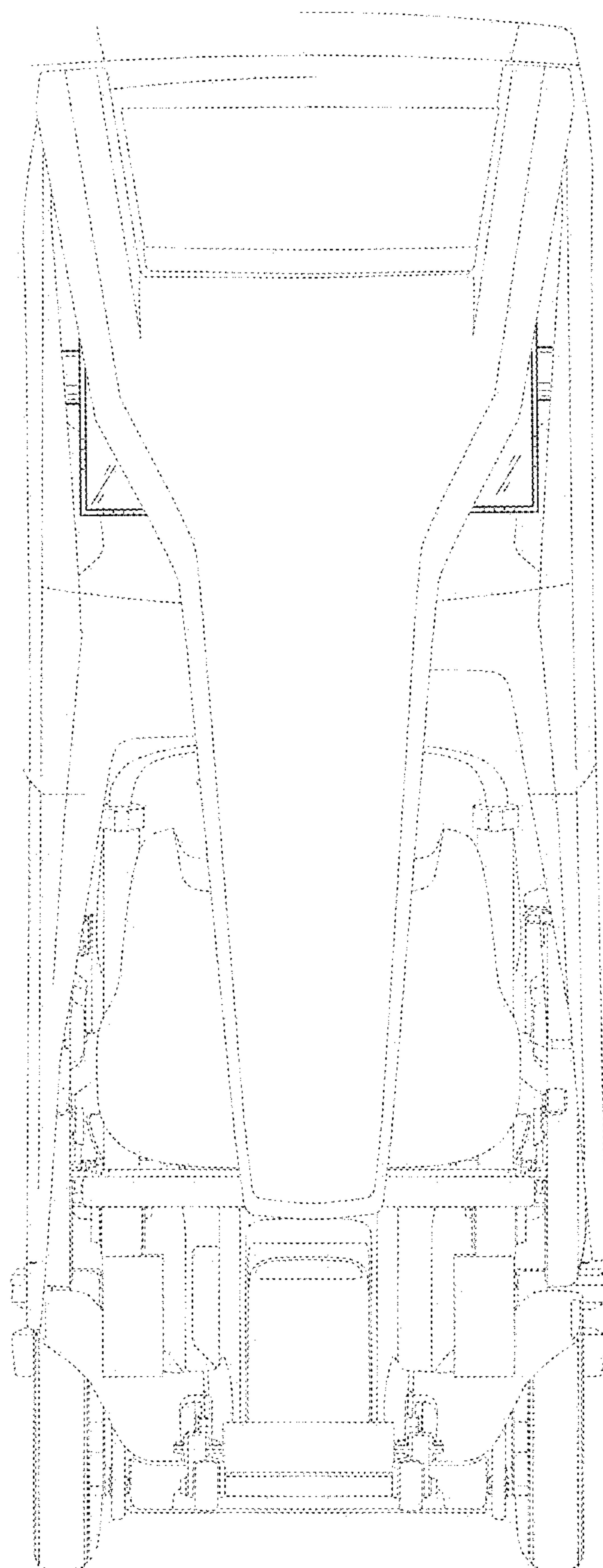


FIG. 5

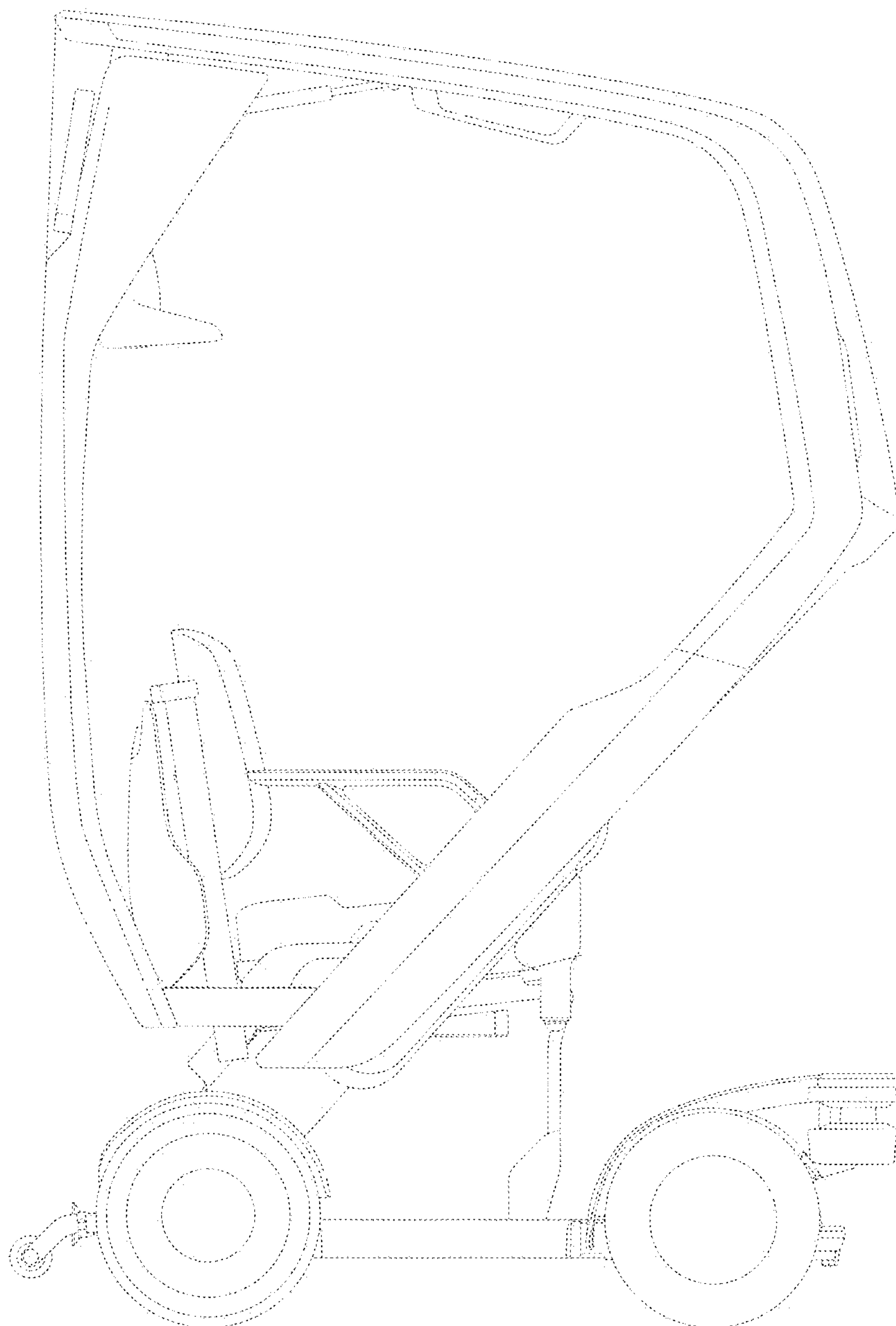


FIG. 6

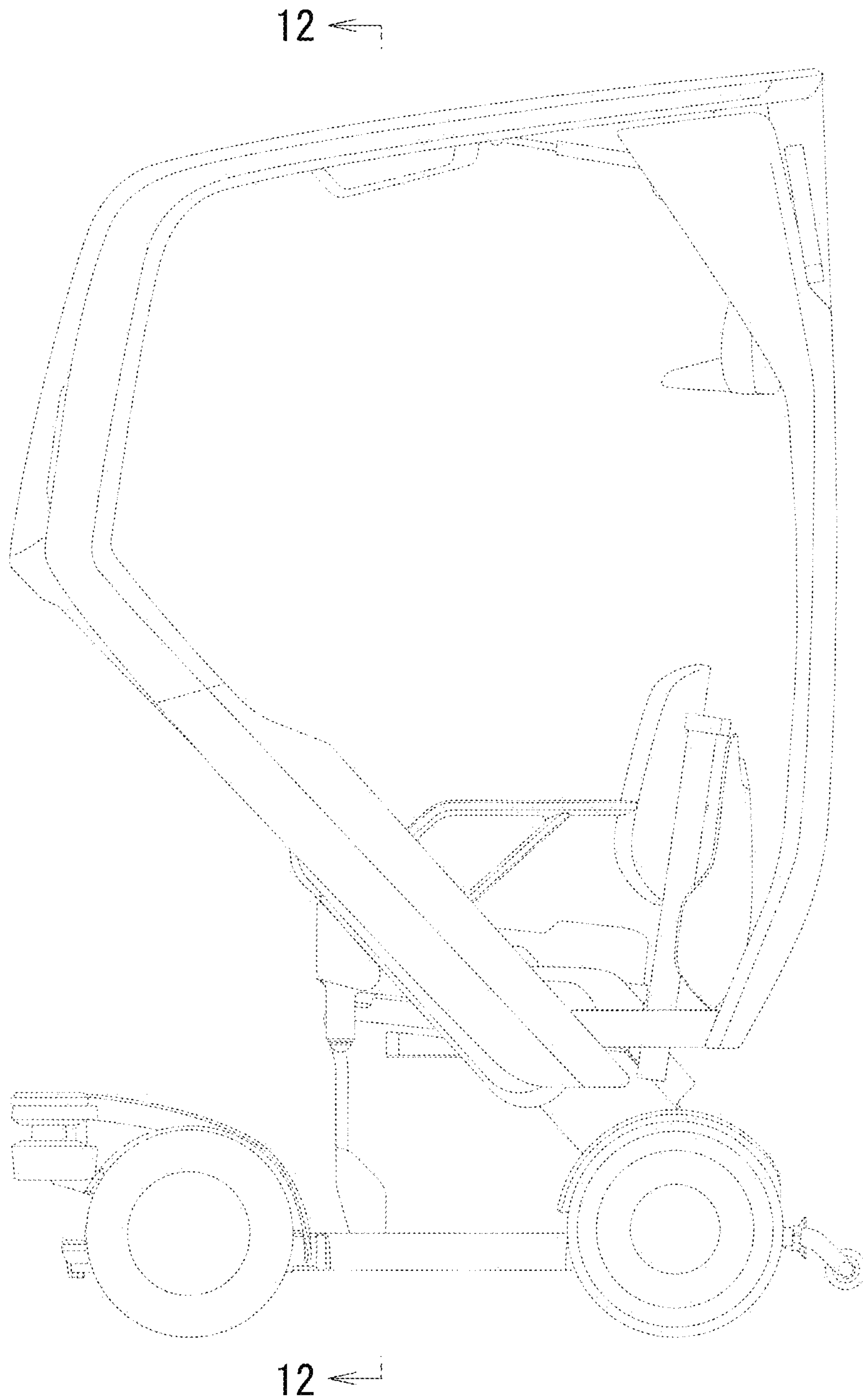




FIG. 7

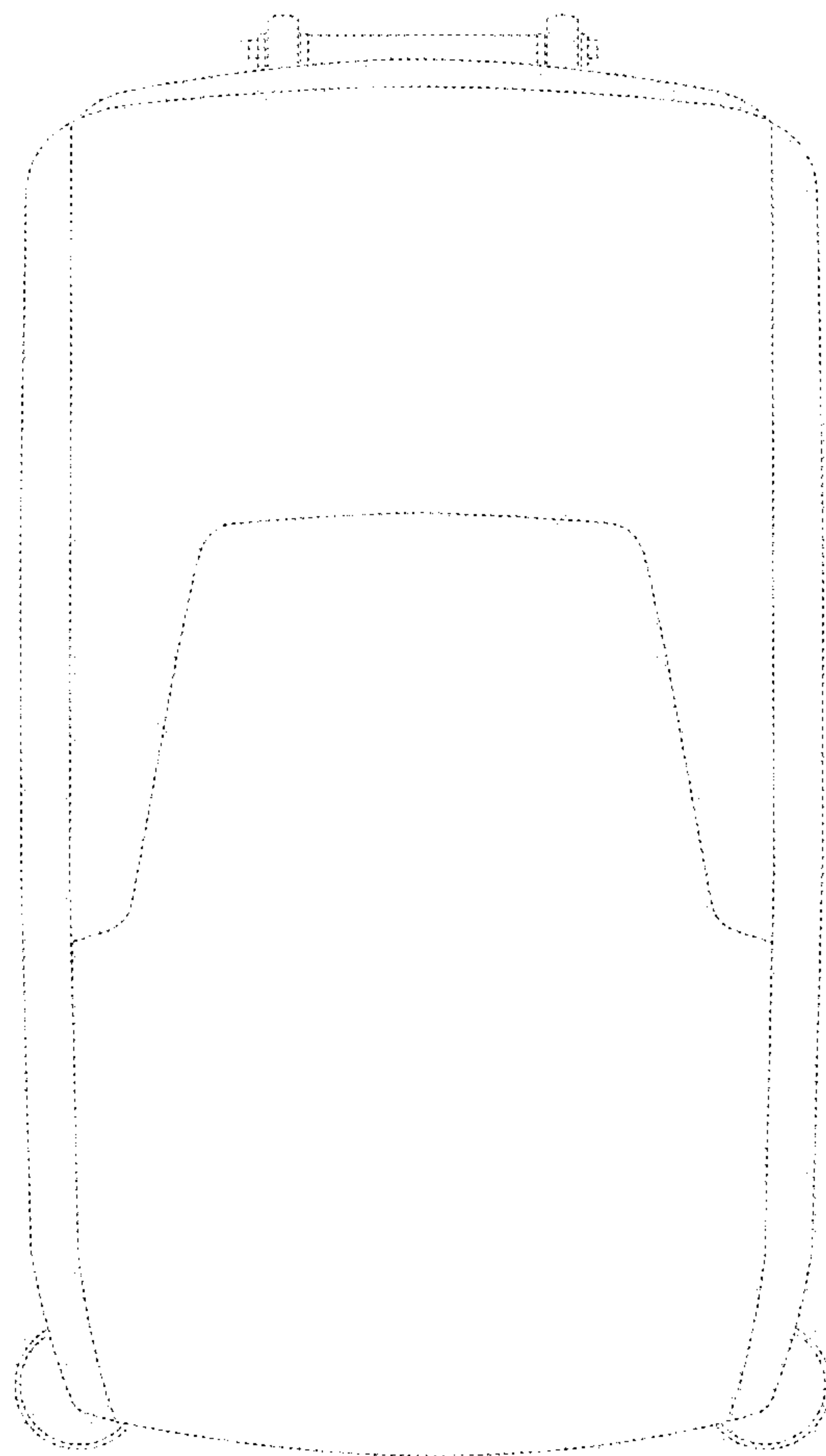


FIG. 8

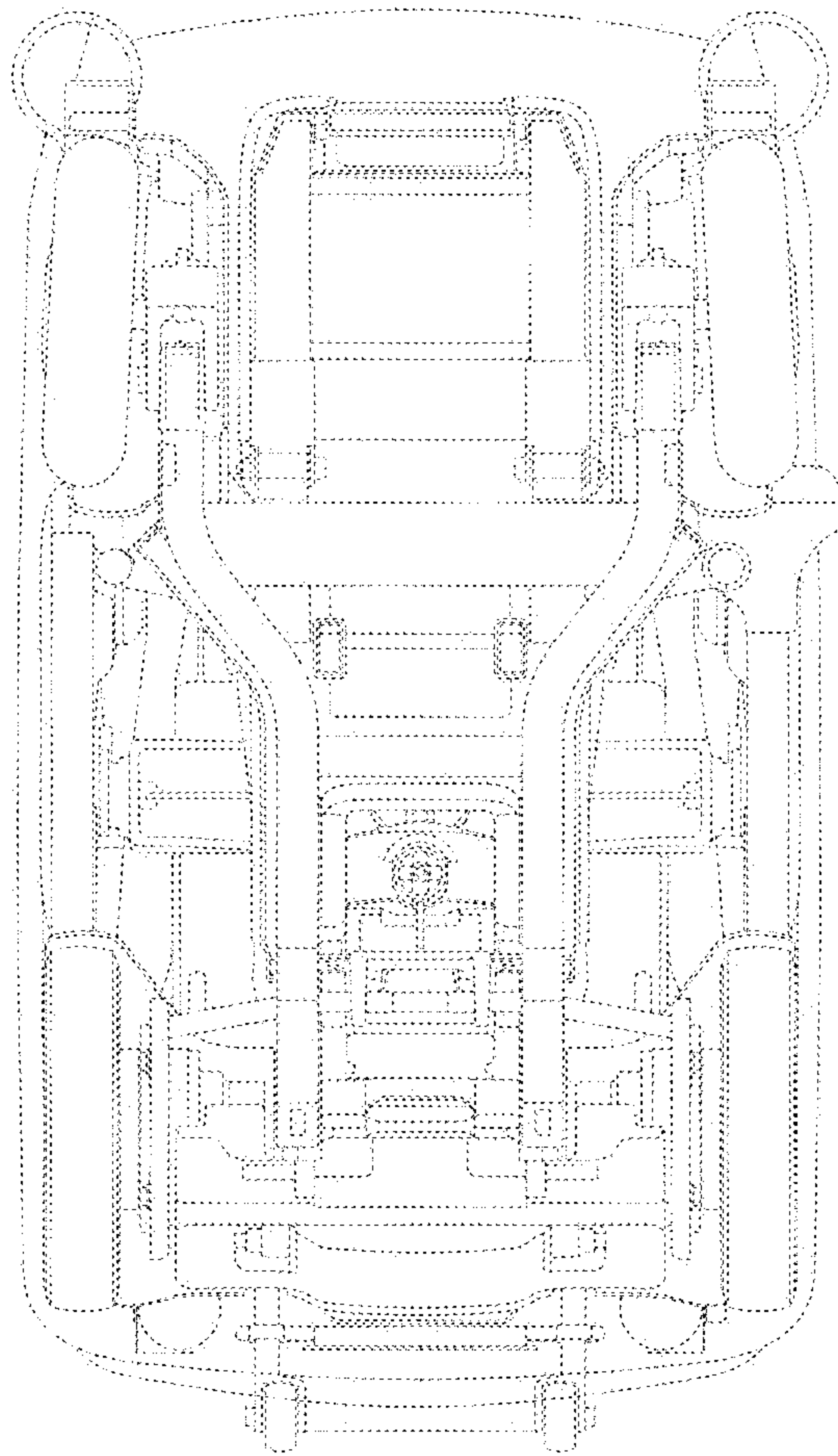


FIG. 9

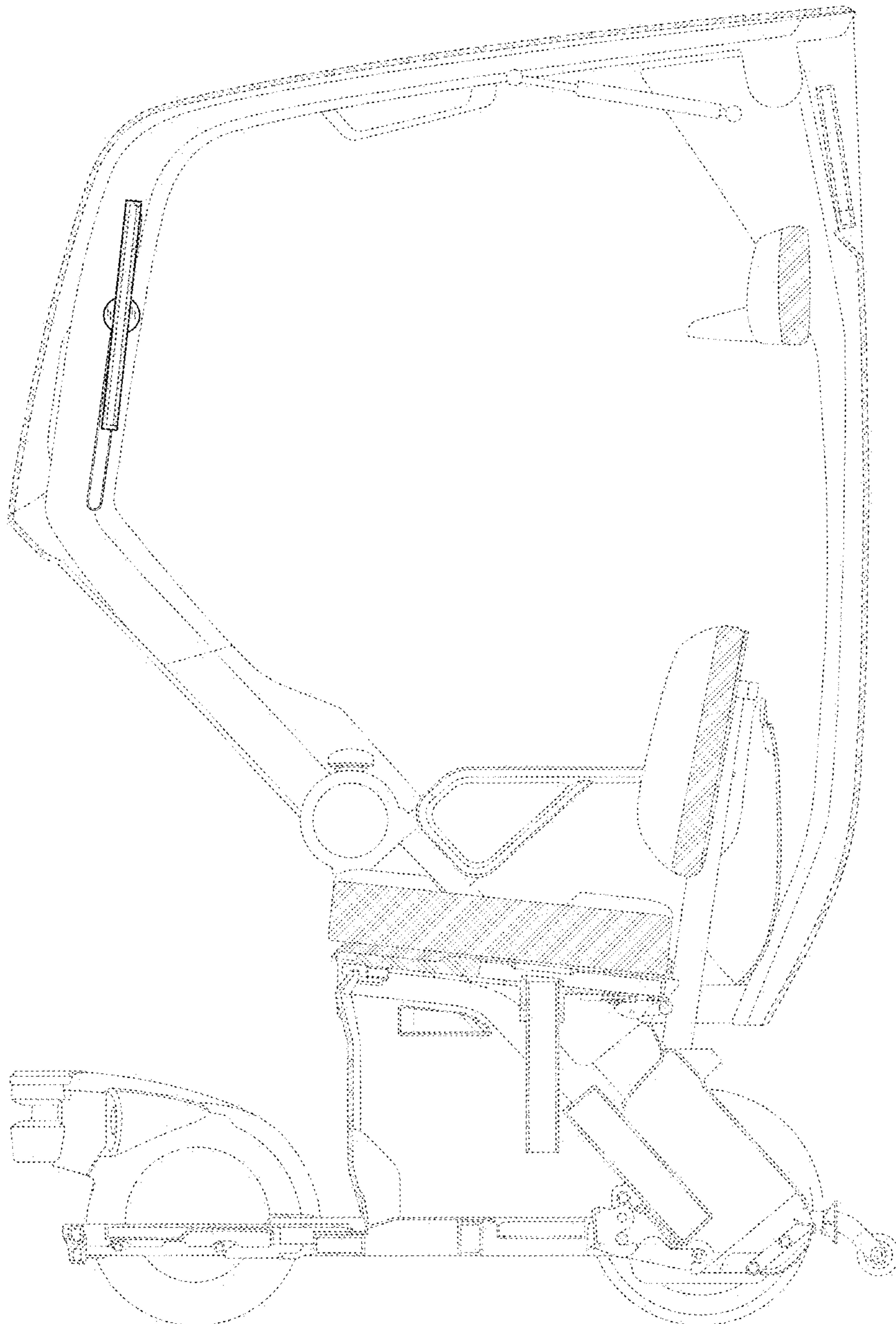


FIG. 10

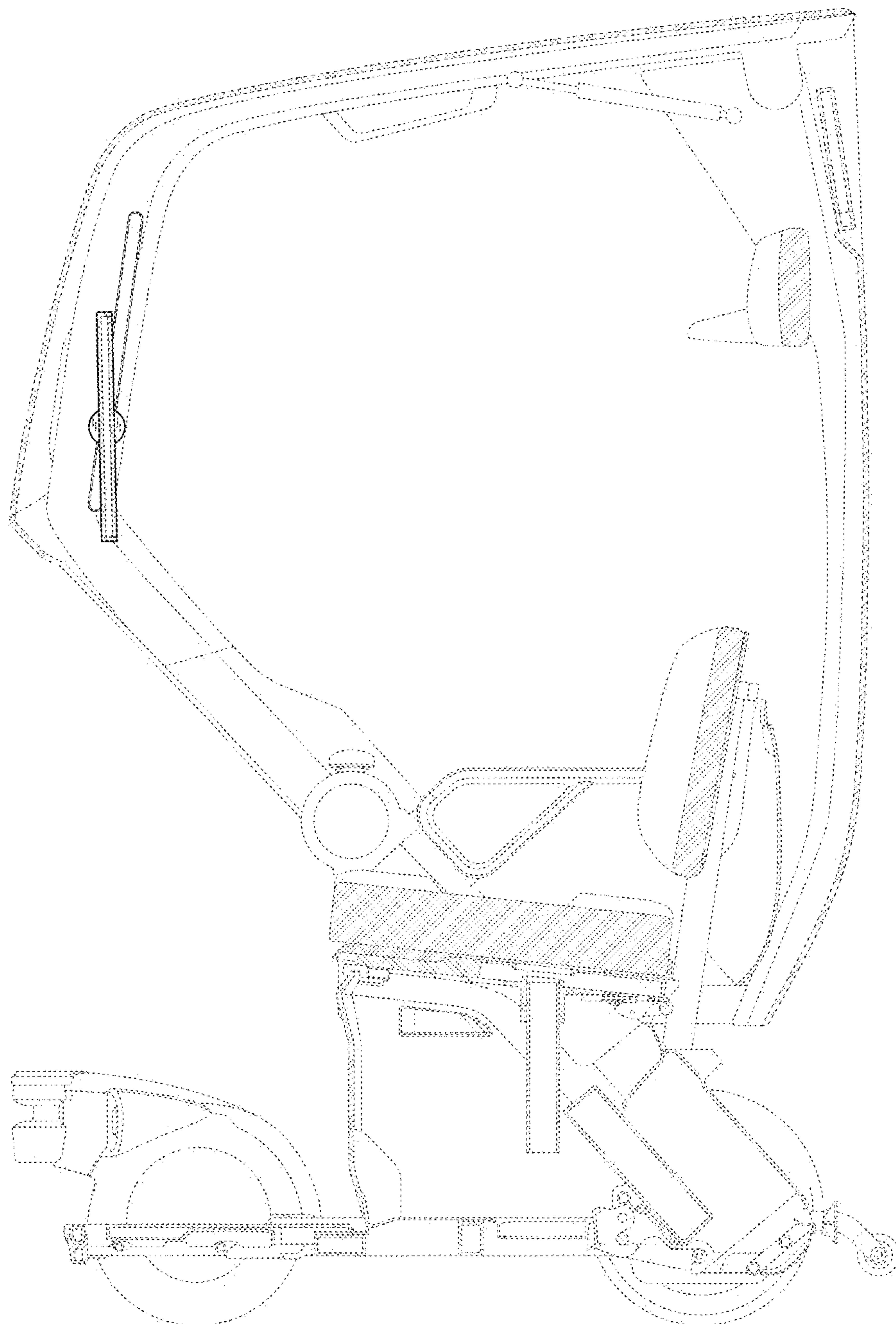


FIG. 11

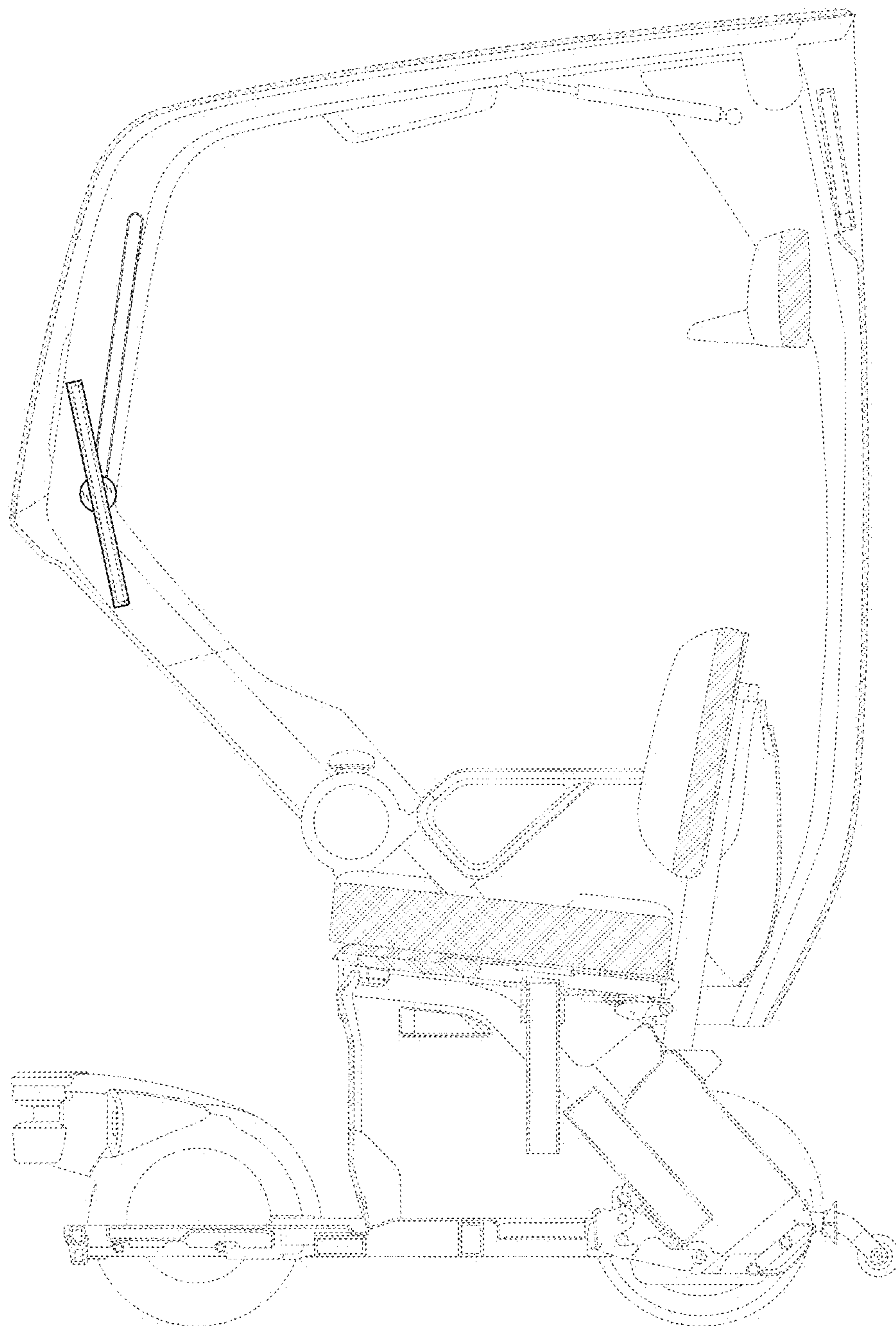




FIG. 12

