



US00D983720S

(12) **United States Design Patent** (10) **Patent No.:** **US D983,720 S**
Mukti (45) **Date of Patent:** **** Apr. 18, 2023**

(54) **VEHICLE WHEEL**
(71) Applicant: **Quarsa, LLC**, Chino, CA (US)
(72) Inventor: **Ali Mukti**, Surabaya (ID)
(73) Assignee: **Quarsa, LLC**, Chino, CA (US)
(**) Term: **15 Years**
(21) Appl. No.: **29/744,637**
(22) Filed: **Jul. 30, 2020**
(51) **LOC (14) Cl.** **12-16**
(52) **U.S. Cl.**
USPC **D12/211**
(58) **Field of Classification Search**
USPC D12/204–213; D21/563
CPC B60B 7/00; B60B 7/02; B60B 7/04; B60B
7/01; B60B 7/06; B60B 3/02; B60B 3/04;
B60B 3/06; B60B 3/10; B60B 1/00;
B60B 1/08; B60B 1/10; B60B 1/12
See application file for complete search history.

D803,753 S * 11/2017 Zhao D12/211
D808,325 S * 1/2018 Chung D12/211
D817,845 S * 5/2018 Guidry D12/209
D823,214 S * 7/2018 Chung D12/209
D824,834 S * 8/2018 Lickliter D12/211
D828,271 S * 9/2018 Han D12/211
D849,652 S * 5/2019 De Jung D12/209
D860,096 S * 9/2019 Milani D12/209
D860,908 S * 9/2019 Han D12/209
D865,609 S * 11/2019 Yeh D12/209
D865,615 S * 11/2019 Tran D12/209
D878,992 S * 3/2020 Yeh D12/209
D879,006 S * 3/2020 Metros D12/211
D892,013 S * 8/2020 Han D12/209
D897,926 S * 10/2020 Chung D12/209
D901,353 S * 11/2020 Tran D12/209
D908,069 S * 1/2021 Lee D12/211
D920,879 S * 6/2021 Hale, Jr. D12/209
D928,058 S * 8/2021 Han D12/209
D929,293 S * 8/2021 Han D12/209
D936,556 S * 11/2021 Sempek D12/211
D958,718 S * 7/2022 Mukti D12/209
D971,811 S * 12/2022 Sempek D12/209
D972,480 S * 12/2022 Lee D12/209

* cited by examiner

Primary Examiner — Leanne Was-Englehart
(74) *Attorney, Agent, or Firm* — Snell & Wilmer L.L.P.

(56) **References Cited**

U.S. PATENT DOCUMENTS

D409,968 S * 5/1999 Goplen D12/211
D500,003 S * 12/2004 Guevara D12/211
D538,729 S * 3/2007 Pfeiffer D12/209
D546,747 S * 7/2007 Pfeiffer D12/211
D587,179 S * 2/2009 Pfeiffer D12/209
D612,789 S * 3/2010 Tant D12/211
D623,109 S * 9/2010 Markefka D12/209
D721,317 S * 1/2015 Kern D12/211
D740,198 S * 10/2015 Barnes D12/211
D763,162 S * 8/2016 Garbas D12/211
D765,574 S * 9/2016 Hale, Jr. D12/211
D782,951 S * 4/2017 Bjerke D12/209
D799,398 S * 10/2017 Liffick D12/211

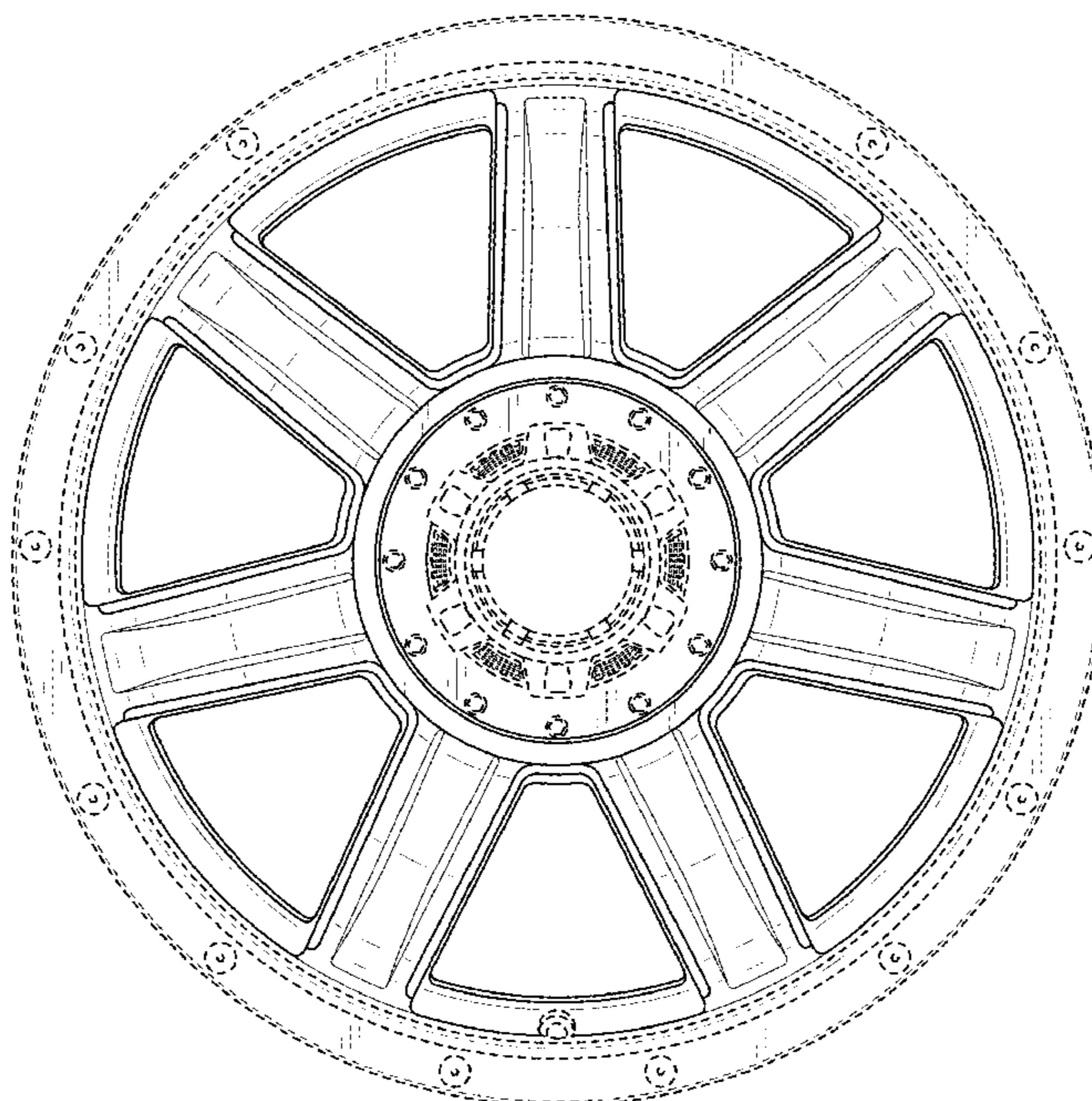
(57) **CLAIM**

I claim the ornamental design for a vehicle wheel, as shown and described.

DESCRIPTION

FIG. 1 is a front perspective view of the vehicle wheel showing my new design; and,
FIG. 2 is a front view of the vehicle wheel of FIG. 1.
In the drawings the broken lines depict portions of the vehicle wheel and form no part of the claimed design.

1 Claim, 2 Drawing Sheets



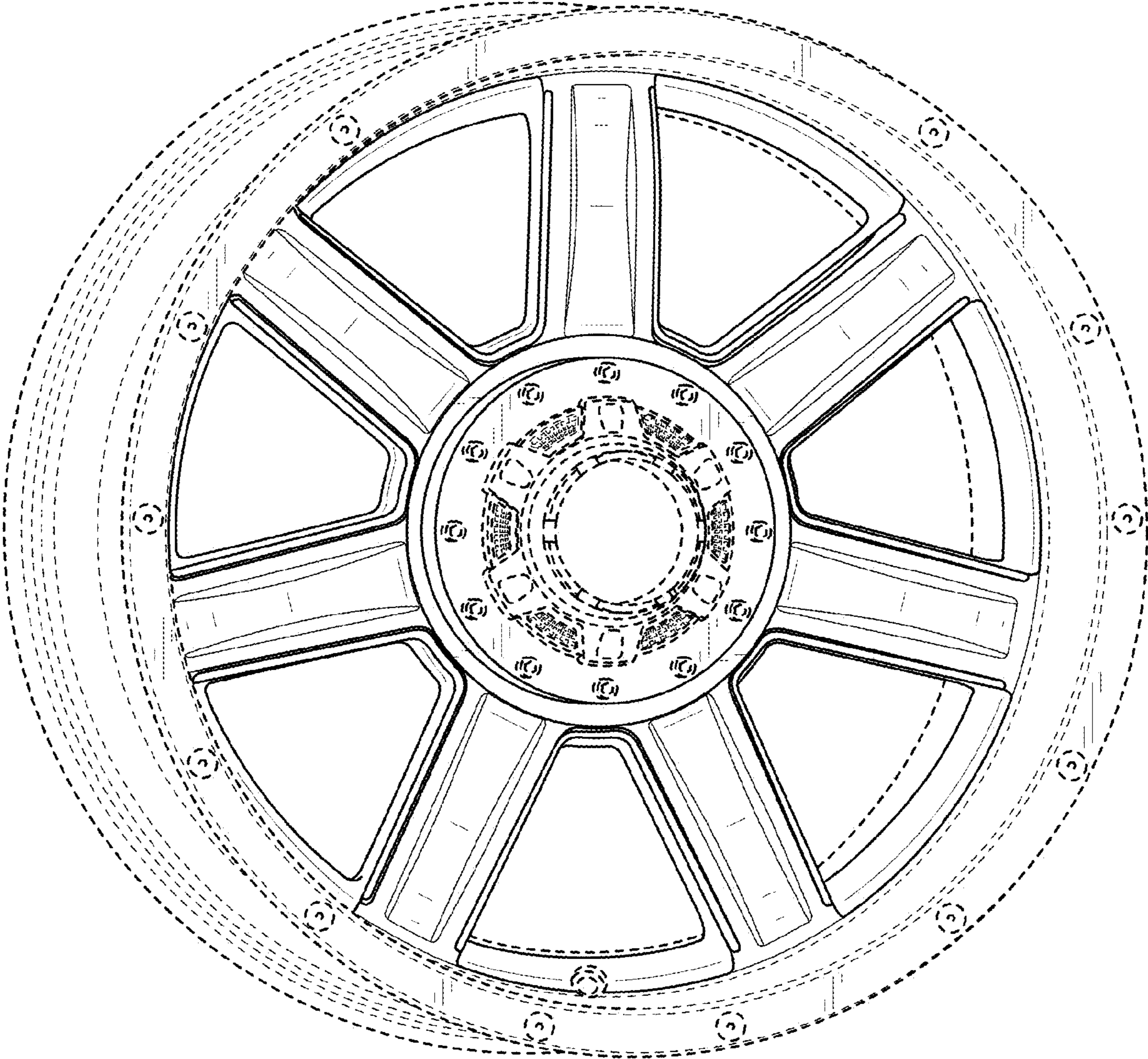


FIG. 1

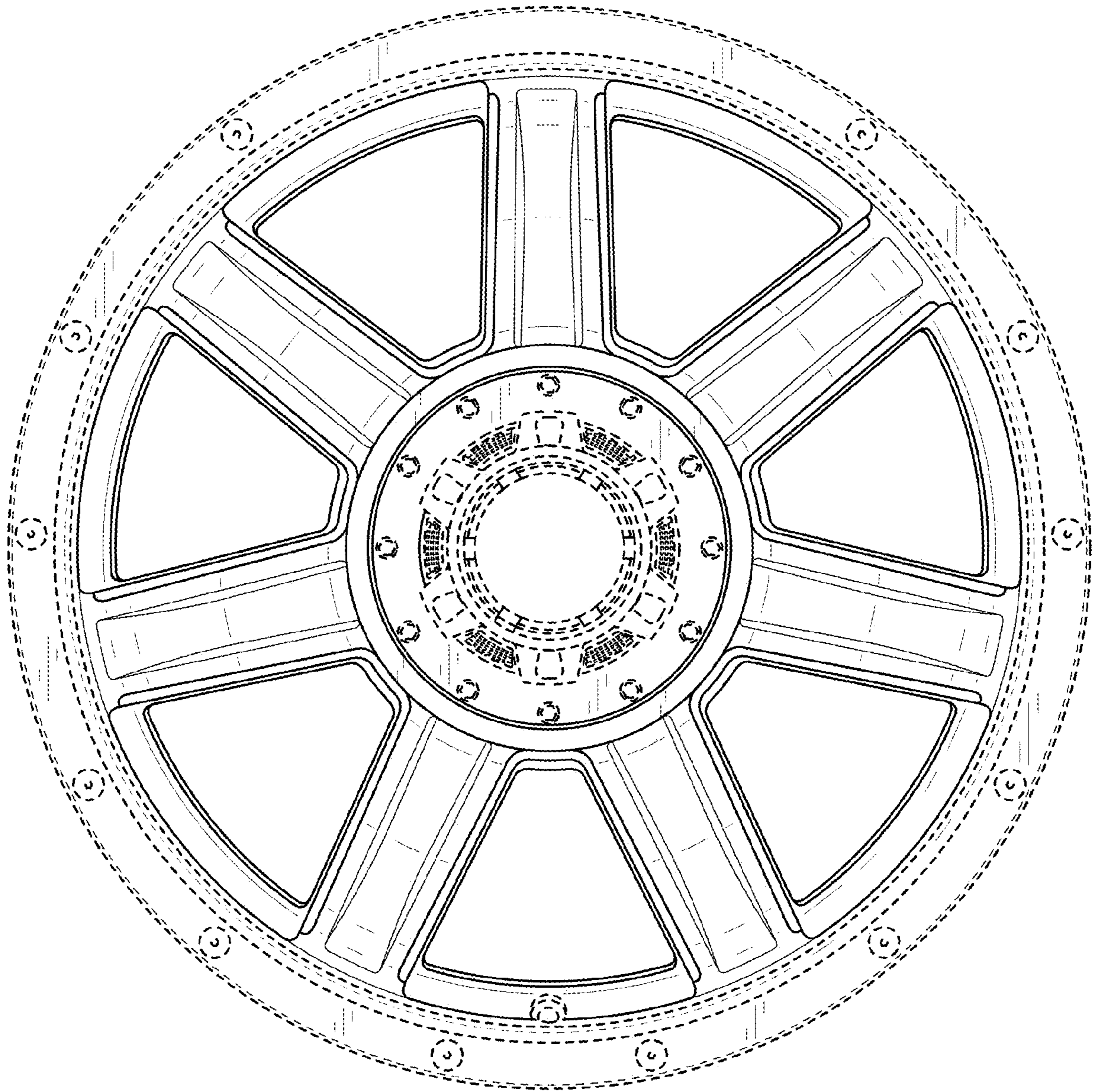


FIG. 2