



US00D983718S

(12) **United States Design Patent**
Miller et al.

(10) **Patent No.:** **US D983,718 S**
(45) **Date of Patent:** **** Apr. 18, 2023**

(54) **FLOOR MAT FOR AUTOMOBILE**
(71) Applicant: **AMERICAN HONDA MOTOR CO., INC.**, Torrance, CA (US)
(72) Inventors: **Jeffery L. Miller**, Torrance, CA (US);
Ryan George Rex, Torrance, CA (US)
(73) Assignee: **AMERICAN HONDA MOTOR CO., INC.**, Torrance, CA (US)

D800,043 S * 10/2017 Alesi D12/203
D836,518 S * 12/2018 Lu D12/203
D873,754 S * 1/2020 Johnson D12/203
D926,653 S * 8/2021 Yang D12/203
D927,382 S * 8/2021 Yang D12/203
D929,284 S * 8/2021 Chang D12/203
D929,286 S * 8/2021 Chang D12/203
D937,168 S * 11/2021 Chang D12/203
D940,031 S * 1/2022 Chang D12/203
D941,721 S * 1/2022 Chang D12/203

(Continued)

(**) Term: **15 Years**

OTHER PUBLICATIONS

(21) Appl. No.: **29/801,381**

Honda 2023 All Season Floor Mat, College Hill Honda [online], [Site Visit Nov. 21, 2022], URL: <https://www.collegehillshonda.com/product/08P17-3V0-110.html> (Year:2022) (Year: 2022).*

(22) Filed: **Jul. 28, 2021**

(Continued)

(51) **LOC (14) Cl.** **12-18**

(52) **U.S. Cl.**
USPC **D12/203**

(58) **Field of Classification Search**
USPC D12/203, 221; D6/582, 583, 586, 592, D6/594
CPC B60N 3/044; B60N 3/04; B60R 13/01
See application file for complete search history.

Primary Examiner — Calvin E Vansant
Assistant Examiner — Giang Hoang Tran
(74) *Attorney, Agent, or Firm* — Plumsea Law Group, LLC

(57) **CLAIM**

The ornamental design for a floor mat for automobile, as shown and described.

(56) **References Cited**

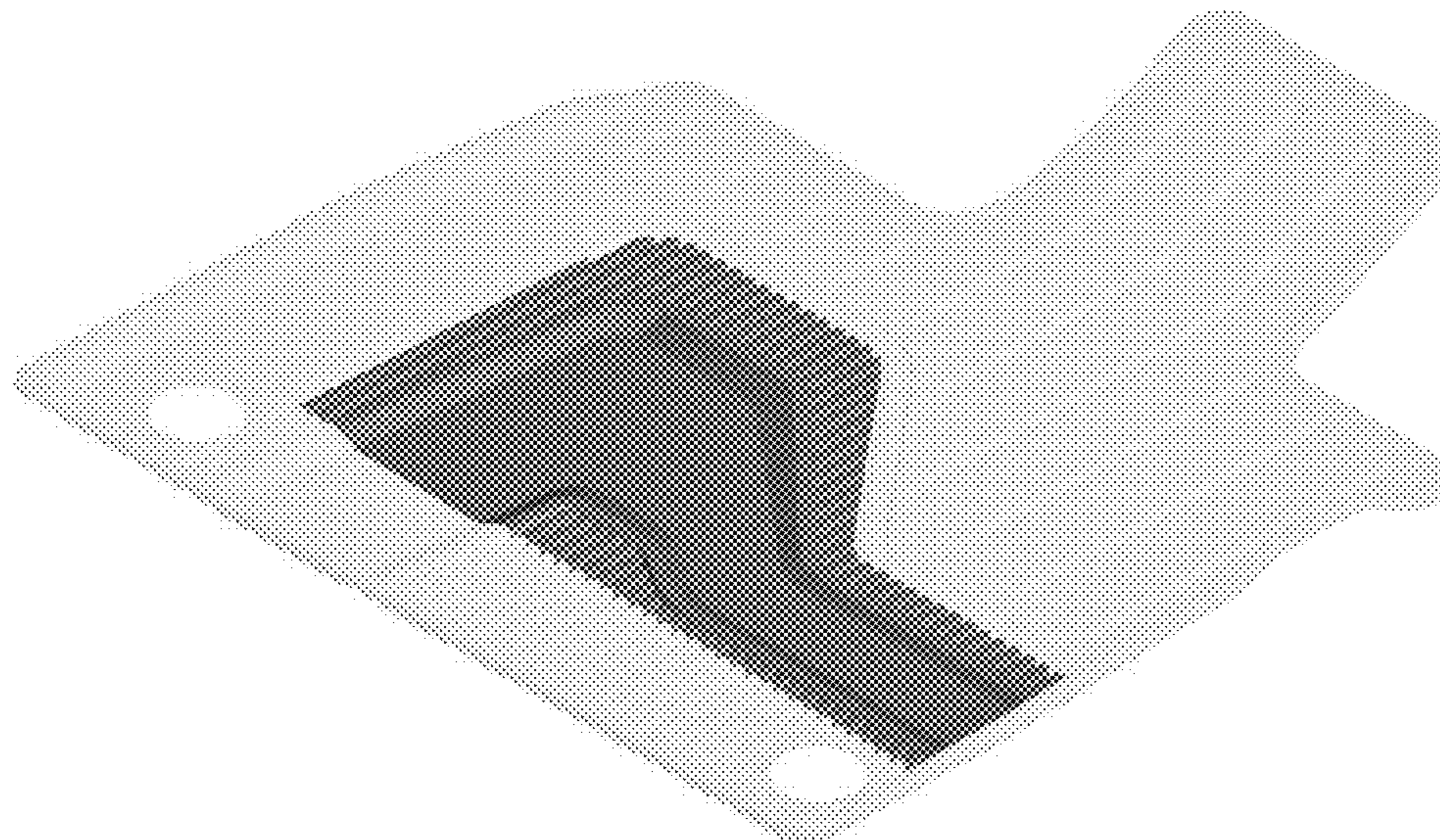
DESCRIPTION

U.S. PATENT DOCUMENTS

D514,493 S * 2/2006 MacNeil D12/203
7,686,371 B2 * 3/2010 MacNeil B60R 21/02
296/97.23
8,267,459 B2 * 9/2012 MacNeil B29C 51/10
296/97.23
8,967,697 B1 * 3/2015 Yang B60N 3/044
296/97.23
D734,232 S * 7/2015 Chang D12/203
D770,956 S * 11/2016 Yang D12/203
D777,072 S * 1/2017 Gross D12/203
D782,382 S * 3/2017 Jaimes D12/203
D793,317 S * 8/2017 Alesi D12/203
D793,933 S * 8/2017 Alesi D12/203
D799,392 S * 10/2017 Lu D12/203
D800,042 S * 10/2017 Alesi D12/203

FIG. 1 is a front perspective view of a floor mat for automobile, showing our new design.
FIG. 2 is a front elevation view thereof.
FIG. 3 is a rear elevation view thereof.
FIG. 4 is a left side elevation view thereof.
FIG. 5 is a right side elevation view thereof.
FIG. 6 is a top plan view thereof; and,
FIG. 7 is a bottom plan view thereof.
The claimed design is indicated by the relatively dark portion, while the relatively light portions are environmental and form no part of the claimed design.

1 Claim, 7 Drawing Sheets



(56)

References Cited

U.S. PATENT DOCUMENTS

D941,722 S * 1/2022 Chang D12/203
D943,480 S * 2/2022 Yang D12/203
D943,481 S * 2/2022 Yang D12/203
D947,739 S * 4/2022 Cao D12/203
D948,403 S * 4/2022 Xu D12/203
2012/0034409 A1 * 2/2012 Price B29C 45/14065
425/546
2012/0251740 A1 * 10/2012 Bouchard B60B 3/048
83/13
2013/0171419 A1 * 7/2013 Tyler B60N 3/04
428/167
2013/0260083 A1 * 10/2013 Price B29C 45/26
428/95
2017/0182920 A1 * 6/2017 Reband B60N 3/048
2018/0093599 A1 * 4/2018 Yang B60N 3/048
2021/0237635 A1 * 8/2021 Yang B60N 3/044

OTHER PUBLICATIONS

Honda 2023 All Season Floor Mat Set, Oct. 4, 2022, Ebay [online],
[Site Visit Nov. 21, 2022], URL: <https://www.ebay.com/itm/155131273786> (Year: 2022).*

Honda 2023 All Season Floor Mat Set, Sep. 10, 2022, Ebay [online],
[Site Visit Nov. 21, 2022], URL: <https://www.ebay.com/itm/275454959289> (Year: 2022).*

* cited by examiner

FIG. 1

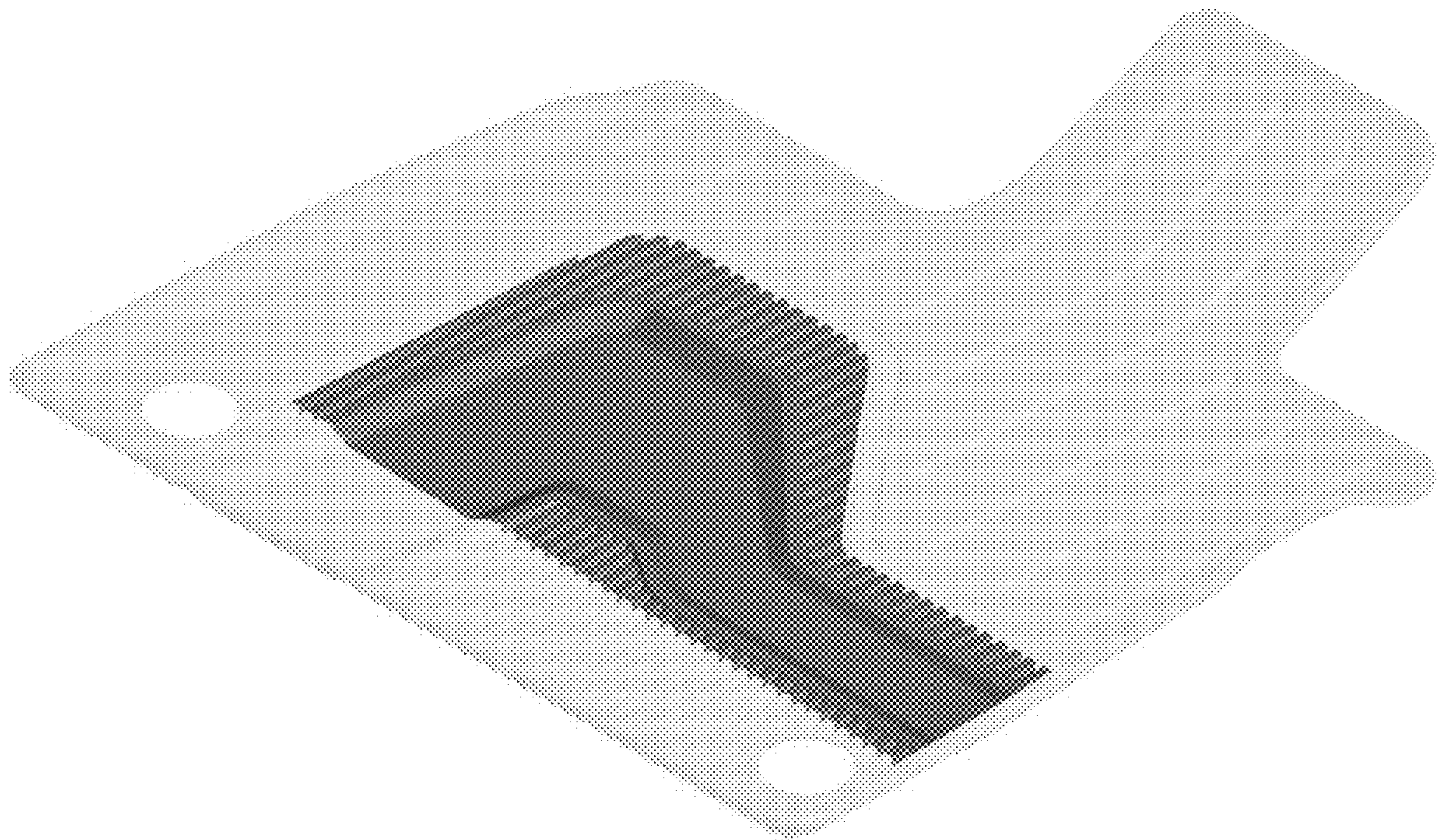


FIG. 2

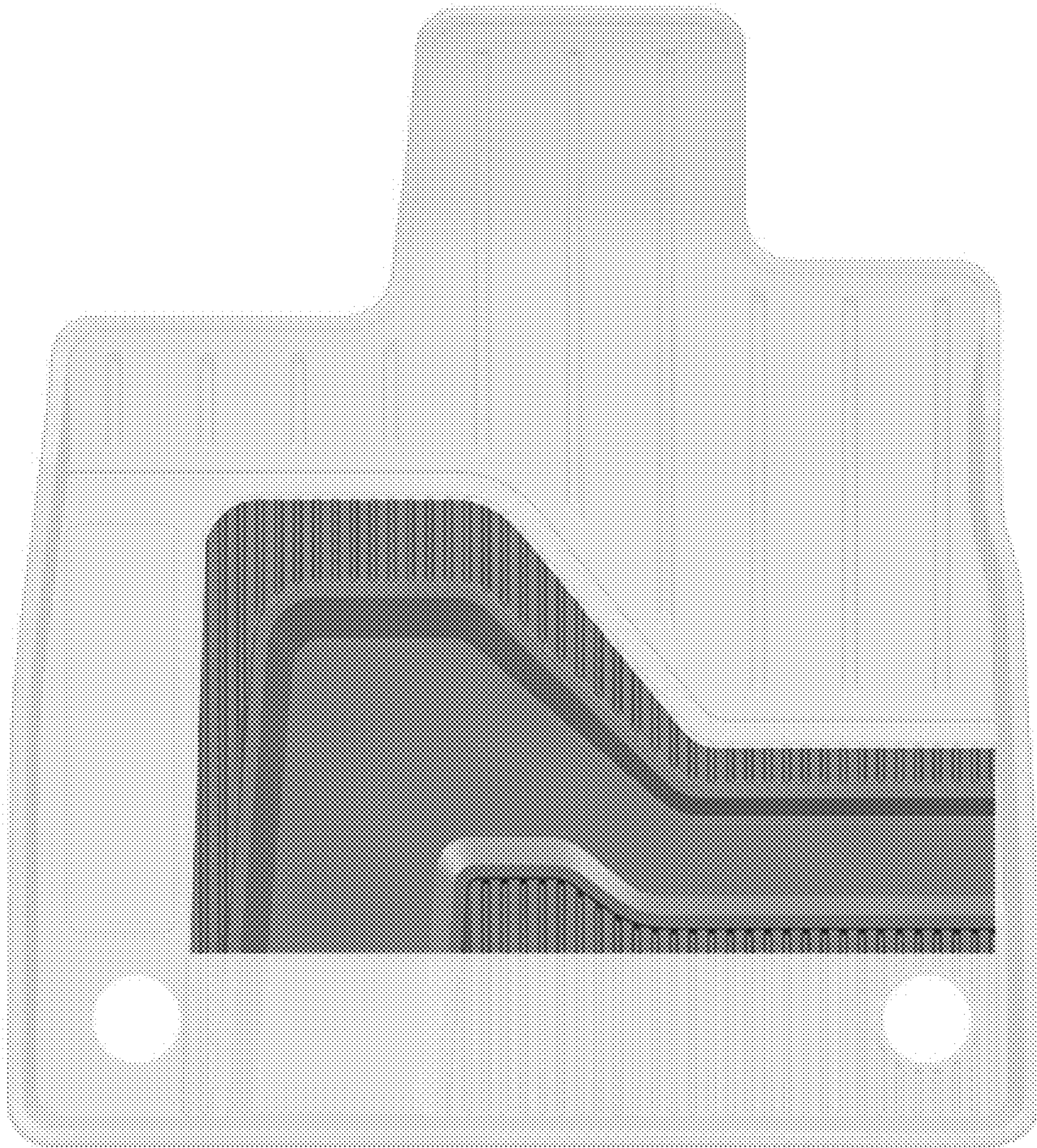


FIG. 3

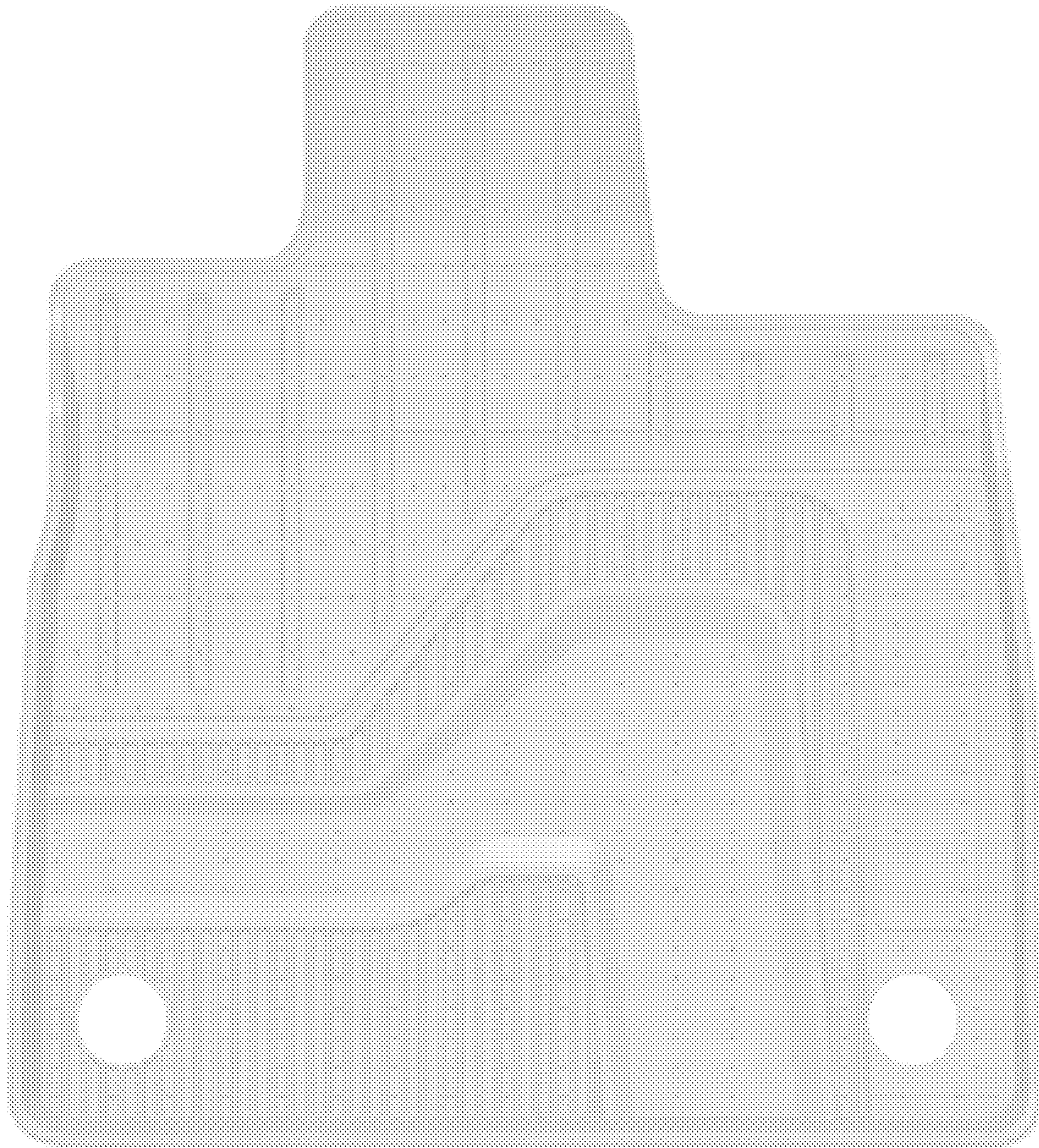


FIG. 4

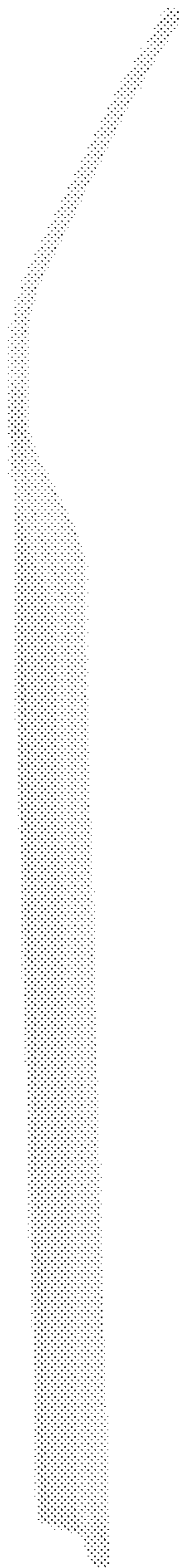


FIG. 5

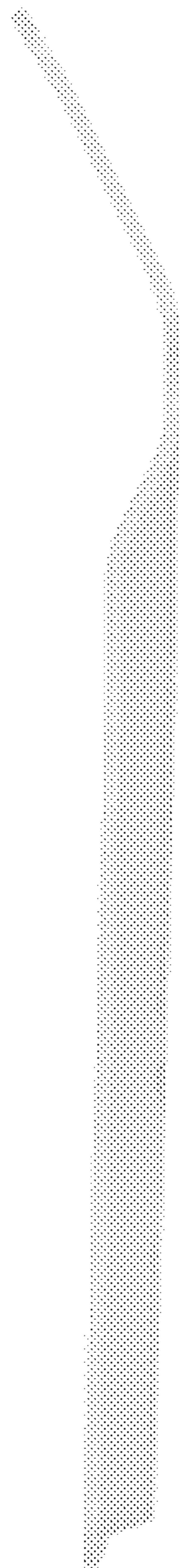


FIG. 6

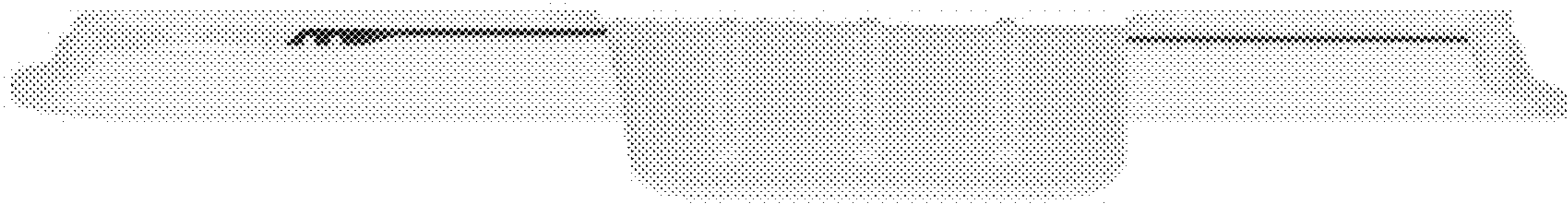


FIG. 7

