



US00D983717S

(12) **United States Design Patent**  
**Lawrence et al.**

(10) **Patent No.:** **US D983,717 S**  
(45) **Date of Patent:** **\*\* Apr. 18, 2023**

(54) **SCRAPER PANELS FOR GOLF CART MAT**

FOREIGN PATENT DOCUMENTS

(71) Applicant: **MACNEIL IP LLC**, Bolingbrook, IL  
(US)

CA 1292028 A 11/1991  
CA 1302459 6/1992

(Continued)

(72) Inventors: **Keith Lawrence**, Westmont, IL (US);  
**Benjamin Popper**, Seattle, WA (US)

OTHER PUBLICATIONS

(73) Assignee: **MACNEIL IP LLC**, Bolingbrook, IL  
(US)

Weather Tech Golf Cart Mat, Jun. 10, 2022, Amazon [online], [Site Visit Dec. 7, 2022], URL: <https://www.amazon.com/WeatherTech-Golf-Cart-Express-Valor/dp/B0B3JR7B4R> (Year: 2022) (Year: 2022).\*

(Continued)

(\*\*) Term: **15 Years**

*Primary Examiner* — Calvin E Vansant

*Assistant Examiner* — Giang Hoang Tran

(21) Appl. No.: **29/797,861**

(74) *Attorney, Agent, or Firm* — Perkins IP Law Group  
LLC; Jefferson Perkins

(22) Filed: **Jul. 2, 2021**

(57) **CLAIM**

(51) **LOC (14) Cl.** ..... **12-16**

We claim the ornamental design for scraper panels for golf cart mat, as shown and described.

(52) **U.S. Cl.**

**DESCRIPTION**

USPC ..... **D12/203**

(58) **Field of Classification Search**

USPC ..... D12/11, 203, 121, 221; D5/1, 2, 26, 25;  
D3/304; D6/582, 588, 592

CPC ..... B60N 3/044; B60N 3/048; B60N 3/04;  
B60R 13/01; B60R 11/02; A46B 5/026;

A46B 11/002

See application file for complete search history.

FIG. 1 is a plan view of a golf cart mat incorporating our design;

FIG. 2 is a top perspective detail of FIG. 1, showing a left scraper panel;

FIG. 3 is a top view of the scraper panel shown in FIG. 2;

FIG. 4 is a left side view of the scraper panel shown in FIG. 2;

FIG. 5 is a top perspective detail of FIG. 1, showing a right scraper panel that is a mirror image of the left scraper panel;

FIG. 6 is a top view of the scraper panel shown in FIG. 5;

FIG. 7 is a right side view of the scraper panel shown in FIG. 5;

FIG. 8 is a sectional view taken along Line 8-8 of FIG. 3; and,

FIG. 9 is a sectional view taken along Line 9-9 of FIG. 3. The bottom of the mat is unadorned and forms no portion of the claimed design. The broken lines shown illustrate environment that forms no part of the claimed design.

(56) **References Cited**

U.S. PATENT DOCUMENTS

3,087,752 A 4/1963 Winchester  
3,149,875 A 9/1964 Stata  
3,288,187 A 11/1966 Wheaton  
3,387,315 A 6/1968 Stata  
3,390,912 A 7/1968 Stata

(Continued)

**1 Claim, 8 Drawing Sheets**



(56)

References Cited

U.S. PATENT DOCUMENTS

3,391,959 A 7/1968 Stata  
 3,401,975 A 9/1968 Oger  
 3,424,265 A 1/1969 Stata  
 3,450,429 A 6/1969 Stata  
 3,488,081 A \* 1/1970 Nolen ..... B60N 3/044  
 428/116  
 3,605,166 A 9/1971 Chen  
 D242,136 S 11/1976 Matlock  
 4,211,447 A 7/1980 Di Vincenzo  
 4,262,048 A \* 4/1981 Mitchell ..... B60N 3/044  
 428/179  
 4,280,729 A 7/1981 Morawski  
 4,382,986 A 5/1983 Reuben  
 4,406,492 A 9/1983 Cackowski  
 4,420,180 A 12/1983 Dupont et al.  
 D278,525 S 4/1985 Morawski  
 4,579,764 A 4/1986 Peoples, Jr. et al.  
 4,591,532 A 5/1986 Tanaka  
 D288,799 S 3/1987 Peress  
 4,693,507 A 9/1987 Dresen et al.  
 4,721,641 A 1/1988 Bailey  
 4,828,898 A 5/1989 Bailey  
 4,921,742 A 5/1990 Altus  
 D313,789 S 1/1991 Thundercloud  
 5,254,384 A 10/1993 Gordon  
 D342,932 S 1/1994 Primeau  
 D358,571 S 5/1995 Thundercloud  
 5,474,829 A 12/1995 Woosley  
 5,482,759 A 1/1996 Primeau  
 D372,011 S 7/1996 Tyler  
 D377,780 S 2/1997 MacNeil  
 5,725,926 A 3/1998 Wang  
 D393,238 S 4/1998 Kraines  
 D394,037 S 5/1998 Mauffette  
 5,776,583 A 7/1998 Peyton  
 5,830,560 A 11/1998 Koa  
 5,836,798 A \* 11/1998 Dannoux ..... H01J 11/10  
 445/24  
 D408,342 S 4/1999 Yang  
 5,891,546 A 4/1999 Sherman  
 5,919,540 A 7/1999 Bailey  
 D420,965 S 2/2000 Iacovelli et al.  
 6,022,503 A 2/2000 Hudkins et al.  
 6,027,782 A 2/2000 Sherman  
 D422,256 S 4/2000 Lu  
 D425,005 S 5/2000 Rizvi  
 D429,204 S 8/2000 Lu  
 D432,478 S 10/2000 Lu  
 6,155,629 A 12/2000 Sherman  
 D442,530 S 5/2001 Lu  
 6,261,667 B1 7/2001 Yang  
 D454,323 S 3/2002 Lu  
 D454,324 S 3/2002 Lu  
 D457,845 S 5/2002 Kraines  
 6,431,629 B1 8/2002 Emery  
 D471,850 S 3/2003 Kraines  
 6,534,146 B1 3/2003 Mentz, Jr.  
 6,578,896 B1 6/2003 Peterson  
 6,605,333 B2 8/2003 Ferreira et al.  
 6,677,027 B1 1/2004 Lu  
 D489,306 S 5/2004 Kraines  
 6,732,030 B2 5/2004 Jones  
 6,736,442 B2 5/2004 Gebreselassie et al.  
 D491,122 S 6/2004 Kraines  
 6,793,872 B1 9/2004 Buss  
 6,794,013 B1 9/2004 Iacovelli et al.  
 D499,057 S 11/2004 Lafleur  
 6,817,649 B1 11/2004 Stanesic  
 6,953,545 B1 10/2005 Tyler  
 D525,576 S 7/2006 Lu  
 7,215,430 B2 5/2007 Kacyra et al.  
 7,316,847 B2 1/2008 MacNeil  
 7,401,837 B2 7/2008 MacNeil  
 7,444,748 B2 11/2008 MacNeil  
 7,607,713 B2 10/2009 MacNeil

D603,777 S 11/2009 MacNeil  
 D655,555 S \* 3/2012 Benson ..... D6/592  
 D656,874 S \* 4/2012 MacNeil ..... D12/203  
 D656,875 S \* 4/2012 MacNeil ..... D12/203  
 D703,976 S \* 5/2014 Mauro ..... D6/592  
 D710,130 S \* 8/2014 Chen ..... D6/596  
 D751,291 S 3/2016 MacNeil  
 D758,760 S \* 6/2016 Mauro ..... D6/582  
 D773,967 S \* 12/2016 Dulac ..... D12/174  
 D794,524 S \* 8/2017 Boyce, II ..... D12/203  
 D796,227 S \* 9/2017 MacNeil ..... D6/583  
 D849,635 S \* 5/2019 Vargo ..... D12/203  
 D857,323 S \* 8/2019 Sonnichsen ..... D32/57  
 D887,934 S \* 6/2020 Diamond ..... D12/203  
 D906,726 S \* 1/2021 Hagglund ..... D6/596  
 D916,374 S \* 4/2021 Jemison ..... D28/63  
 D928,890 S \* 8/2021 Kirsten ..... D21/500  
 D935,702 S \* 11/2021 Zhu ..... D30/129  
 D936,924 S \* 11/2021 Kaicker ..... D32/57  
 D938,659 S \* 12/2021 Ye ..... D30/121  
 D945,341 S \* 3/2022 Wu ..... D12/203  
 D957,770 S \* 7/2022 Kaicker ..... D4/130  
 D962,556 S \* 8/2022 Wu ..... D30/121  
 2001/0020316 A1 9/2001 Ferreira et al.  
 2002/0045029 A1 4/2002 Yung  
 2003/0143358 A1 7/2003 Needles  
 2004/0048036 A1 3/2004 Nakasuji et al.  
 2004/0224130 A1 11/2004 Melucci et al.  
 2005/0191459 A1 9/2005 Ferreira et al.  
 2006/0091694 A1 5/2006 MacNeil  
 2006/0288578 A1 12/2006 MacNeil  
 2008/0061580 A1 3/2008 MacNeil  
 2009/0092795 A1 4/2009 MacNeil  
 2009/0230717 A1 9/2009 MacNeil  
 2010/0055411 A1 \* 3/2010 Stanesic ..... B60N 3/044  
 428/192  
 2017/0036582 A1 \* 2/2017 MacNeil ..... B32B 25/042

FOREIGN PATENT DOCUMENTS

CA 2431099 A 1/2004  
 DE 1863477 U 12/1962  
 DE 8434890 U1 2/1985  
 DE 19928720 A1 1/2001  
 EP 0258162 A2 3/1988  
 EP 0379630 A1 8/1990  
 EP 0968875 B1 1/2000  
 JP 1172040 A 7/1989  
 JP H3-47245 5/1991  
 JP 406227305 A 8/1994  
 JP H8-85377 4/1996  
 JP 8332976 A 12/1996  
 JP H11-268570 10/1999  
 JP 200052835 2/2000  
 JP 2002-362209 A 12/2002  
 JP 2002356124 12/2002  
 WO 95/34443 A1 12/1995

OTHER PUBLICATIONS

Rhino Club Car floor Mat, Jun. 29, 2015, Amazon [online], [Site Visit Dec. 7, 2022], URL: Amazon.com : Rhino Club Car Precedent Golf Cart Protective Rubber Floor Mat: Sports & Outdoors (Year: 2015) (Year: 2015).\*

Photographs of Ford Windstar floor mat with unknown manufacture date, obtained by Applicant in 2010, and believed to be on sale and in public use prior to Oct. 29, 2003.

Husky Liner for 1999 Ford Super Duty, downloaded from <http://www.huskyliners.com/superduty.html> on Jan. 3, 2005.

Autoform Trunk Liner, English web page, downloaded from [http://www.autoform.se/eng/products\\_trunk\\_liners.htm](http://www.autoform.se/eng/products_trunk_liners.htm) on Oct. 20, 2004.

“Installation Instructions for Your F-150/F-250 Ford Truck Front Floor Liners,” Winfield Consumer Products, Feb. 1, 2001, downloaded from <http://www.huskyliners.com> on Jan. 3, 2005.

Husky Deep Tray Floor Liner, downloaded from <http://www.truckstuffusa.com/cusfitdeepr.html> on Jan. 3, 2005.

(56)

**References Cited**

OTHER PUBLICATIONS

Web pages featuring products from 3D Carpet Liner, Weatherboots, Nifty Products, Inc. and Husky, downloaded from <http://www.premiermotoring.net> on Aug. 11, 2004.

WeatherTech Floor Mat and Cargo Liner Product Sheets, MacNeil Automotive Products Limited, Downers Grove, IL, Nov. 1994, 4pp. "Bagagerumsmattor" downloaded from [http://www.autoform.se/sv/produkter\\_bagagerumsmattor.htm](http://www.autoform.se/sv/produkter_bagagerumsmattor.htm) on Oct. 20, 2004.

Strictly Catalog for Explorer/Mountaineer/Expedition/Navigator, MacNeil Automotive Products Limited, Downers Grove, IL, 1999, pp. 1-2 and 4-7.

Photographs of a Highland FloorGuard with unknown date of manufacture, obtained by Applicant in 2010, and believed to be on sale and in public use prior to Oct. 29, 2003.

American Specialty Equipment Corp., "Big Book" catalog for "Performance Parts, Truck Accessories, and Sport Compact Equipment," 2000, p. 366.

Add-On 2002-2003 Automotive Accessory Catalog, 2002, pp. 192 and 447.

Floor Mat Comparison Chart, Stylinconcepts.com, Jun. 2, 2002.

Advertisement for Highland's Black Armor FloorGuard, Stylin Concepts "Custom Truck Accessories" catalog, 2003, pp. 1, 2 and 109.

Image from advertisement for Black Armor Floor Guard, Stylinconcepts.com; Apr. 3, 2002, recovered from <http://web.archive.org/20020403230231/stylinconcepts.com/Images/>.

BlackArmorWLogo.jpg.

List of "front custom auto floor mats," etrailer.com (as downloaded by web.archive.org), Jun. 4, 2004.

Description and illustration of "Front Custom Auto Floor Mats,"; etrailer.com (as downloaded by web.archive.org), Jun. 4, 2004.

Advertisement for Highland floor guards, Counterman Info Pages, prior to Nov. 2002, p. 27.

Highland Catalog and Jobber sheet; prior to 2004.

Highland Application Guide, 2004.

Volvo Accessories brochure, 1990, pp. 1 and 23.

Volvo 760 GLE Accessories Brochure, 1983, pp. 1-3.

Volvo Accessories Brochure, 1981, pp. 1, 27.

Volvo Accessories Brochure, 1983, p. 1, 11, 16.

Photographs of Volvo floor mat with unknown manufacture date, obtained by Applicant in 2010, and believed to be on sale and in public use prior to Oct. 29, 2003.

Photographs of a Husky Liner floor tray with unknown manufacture date, obtained by Applicant in 2010, and believed to be on sale and in public use prior to Oct. 29, 2003.

Husky Liners Product Catalog, 2001, pp. 1-2.

Husky Liners Product Catalog, 2002, selected pages.

Husky Liners Product Catalog, 2003 1/2, Sema Show Edition, selected pages.

Photographs of Winfield's Husky Liner Model 3780 for 2000-2001 BMW X-5 possessed by Applicant, believed to be on sale and in public use prior to Oct. 29, 2003.

1998 Lund Product Catalog, p. 24, Lund SportMat Molded Floor Trays.

Web advertisement for Fox Weatherboots, foxweatherboots.com (as downloaded by web.archive.org), Mar. 3, 2000.

Nifty Products Catalog, 2003-2004, selected pages.

Advertisement of unknown publication date for Husky Liner 3D Molded Carpeted Front Floor Liners, obtained by Applicant in 2010, and believed to be on sale and in public use prior to Oct. 29, 2003.

Photographs of Husky Liner 3D Floor Liners manufactured Aug. 2010, in possession of Applicant, and believed to be on sale in public use prior to Oct. 29, 2003.

\* cited by examiner

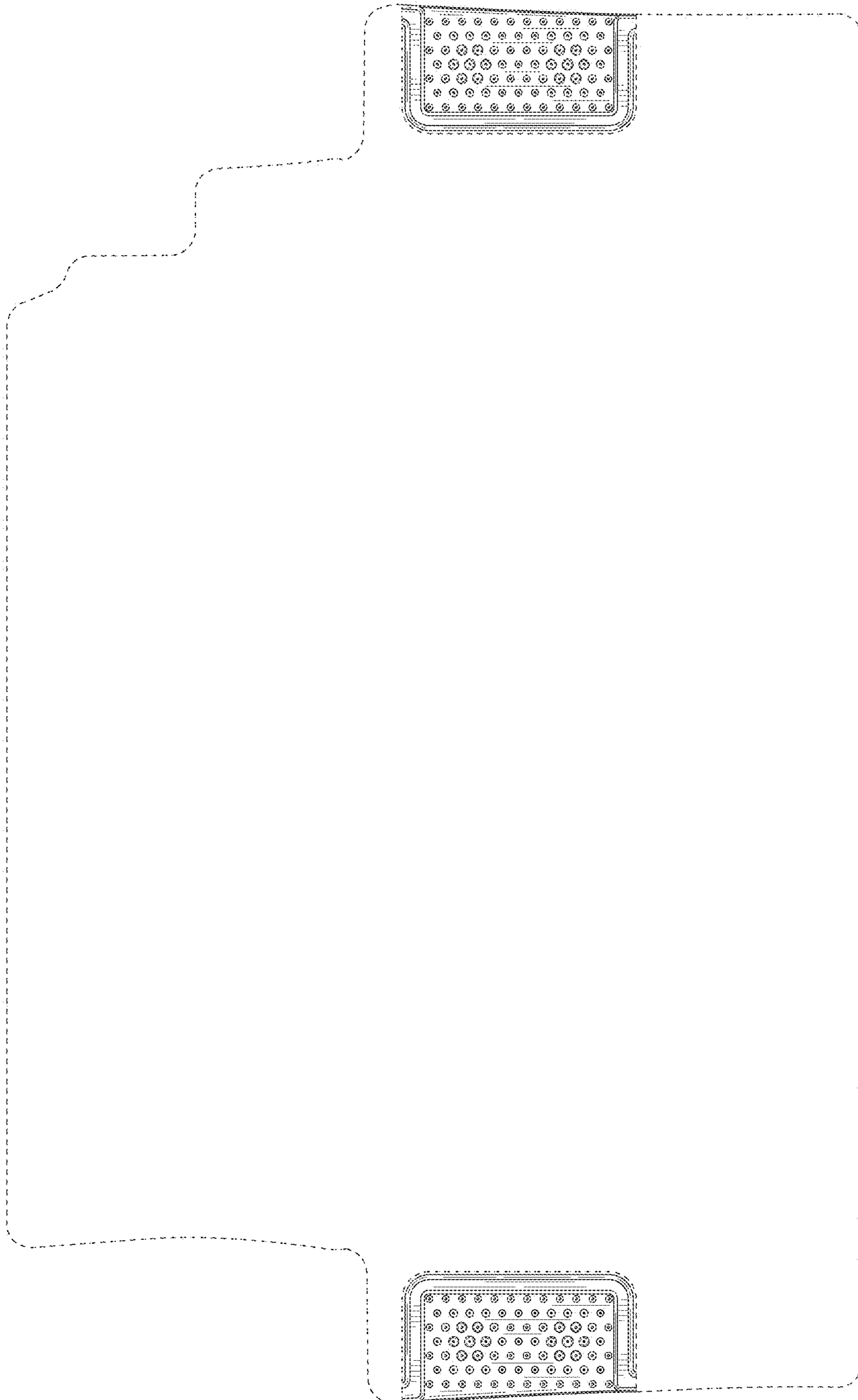


FIG. 1

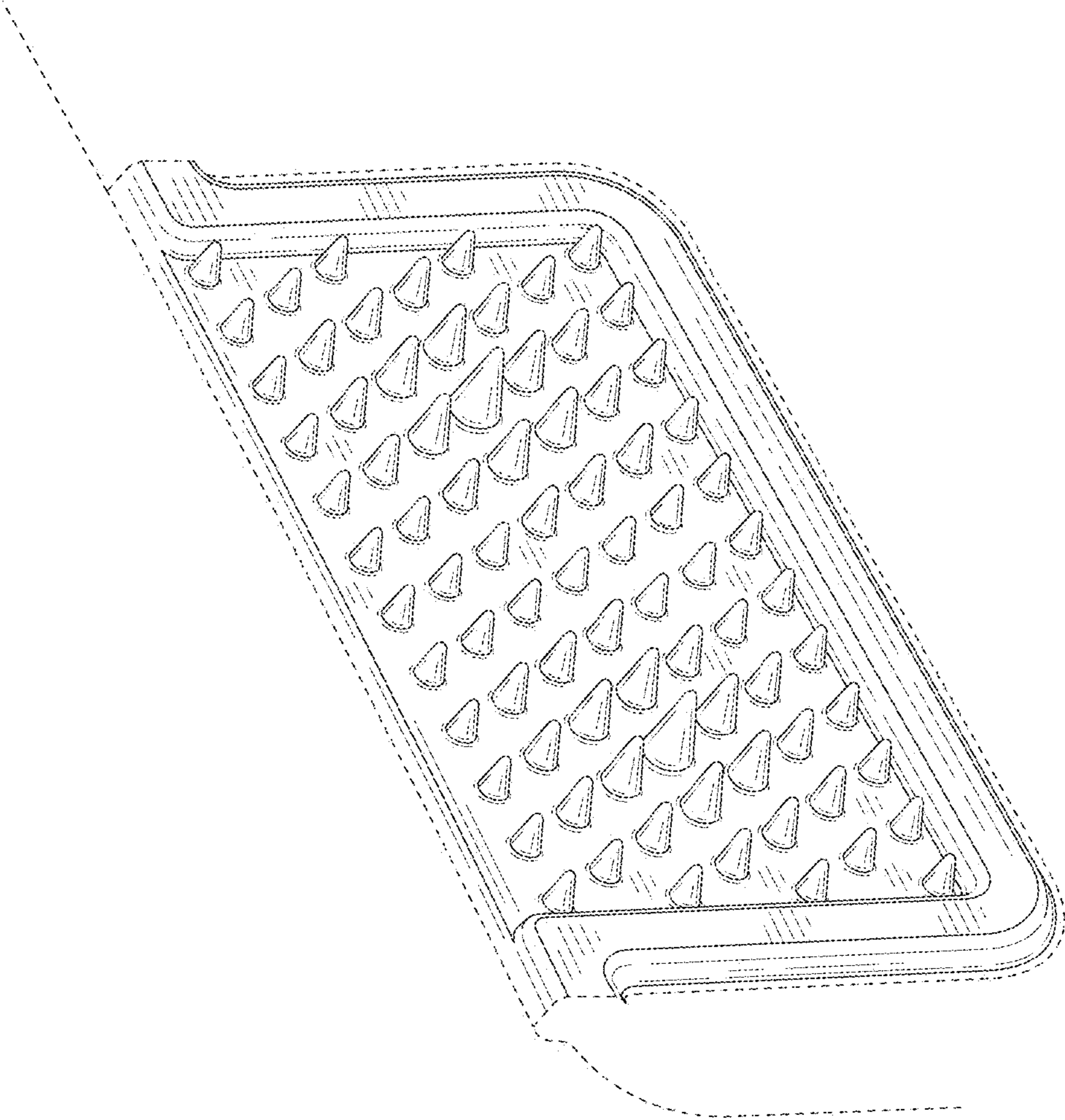


FIG. 2

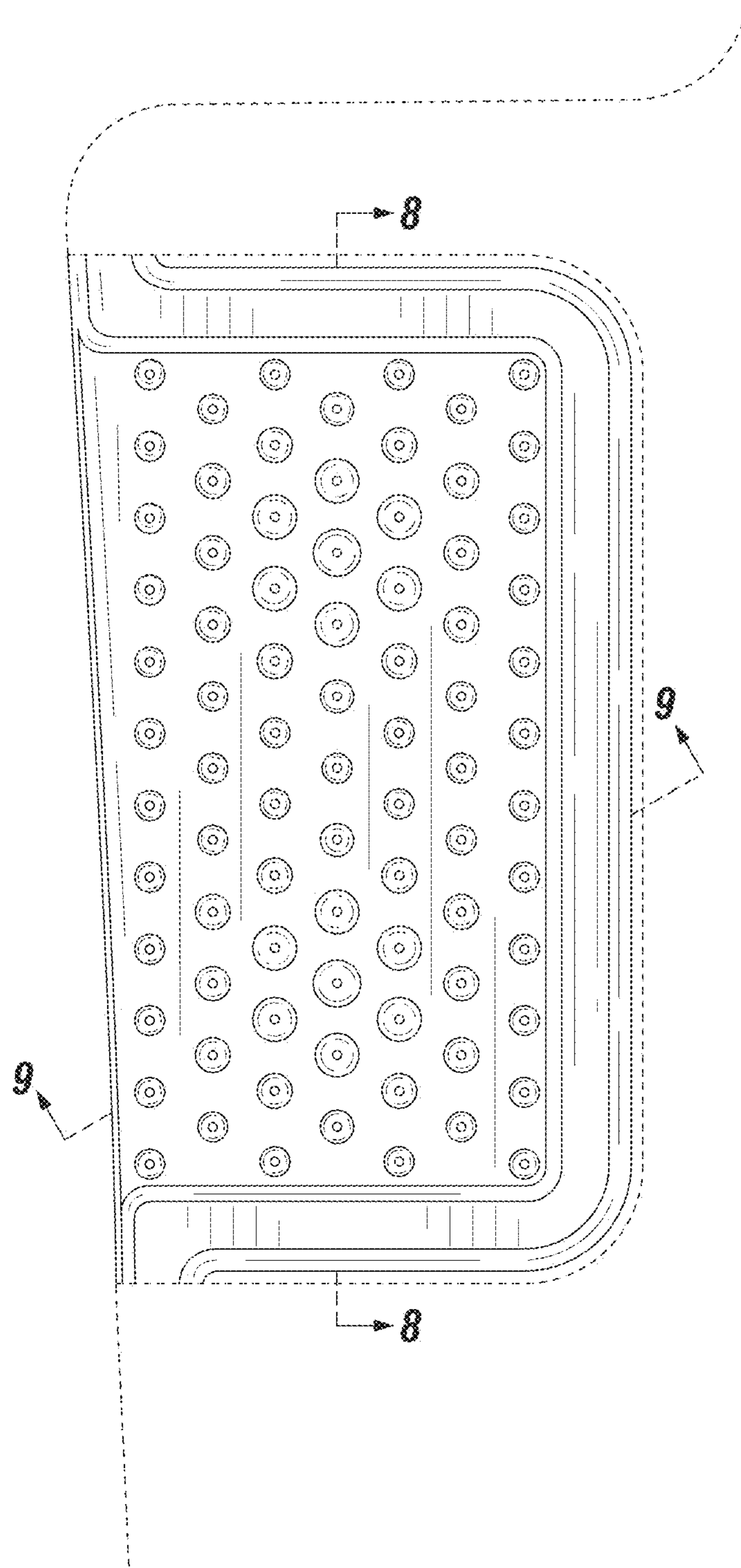


FIG. 3

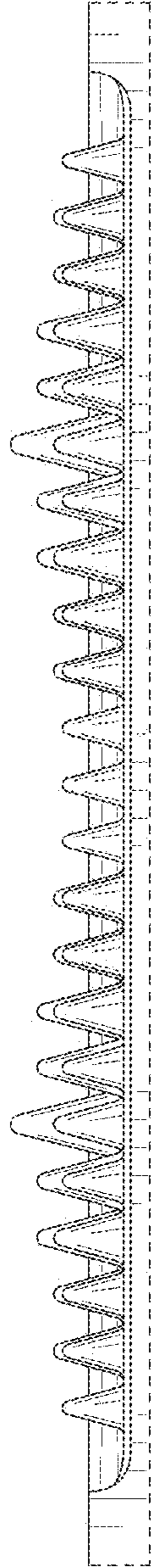


FIG. 4

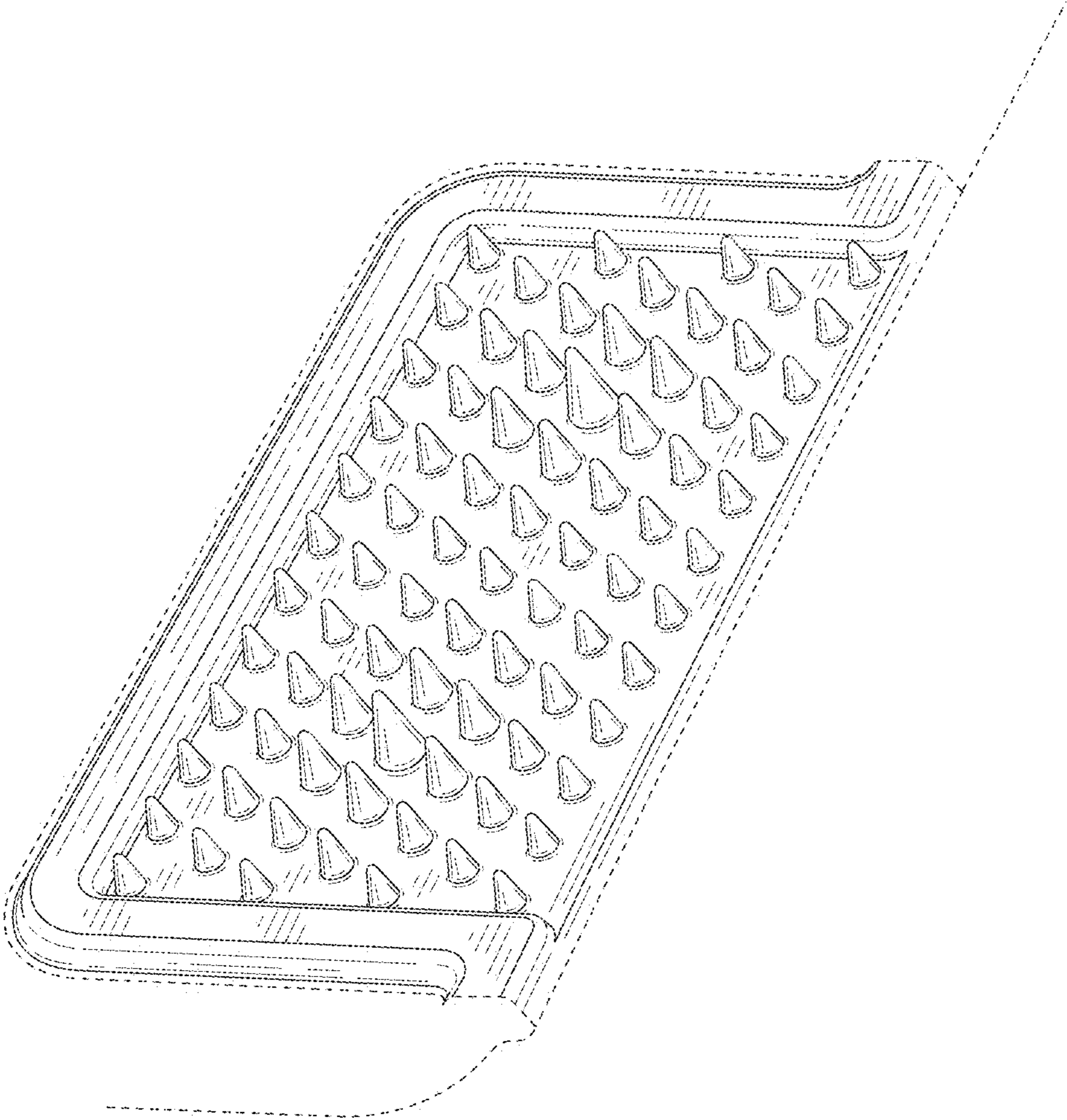
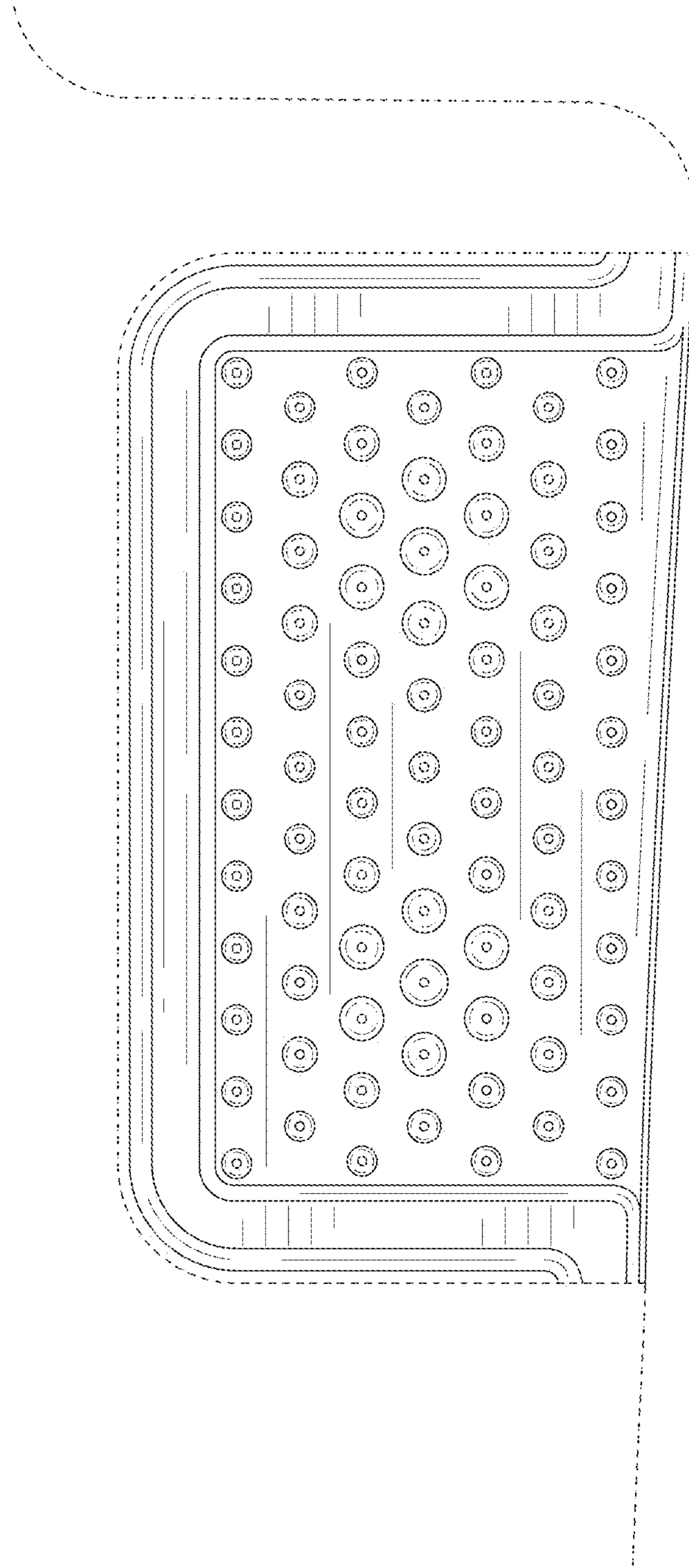


FIG. 5





**FIG. 6**

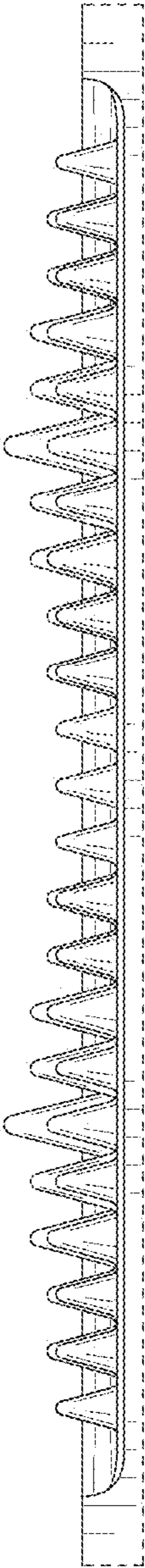


FIG. 7



FIG. 8



FIG. 9