



US00D983716S

(12) **United States Design Patent**
Miwa et al.

(10) **Patent No.:** **US D983,716 S**
(45) **Date of Patent:** **** Apr. 18, 2023**

(54) **VEHICLE RUNNING BOARD**

FOREIGN PATENT DOCUMENTS

(71) Applicant: **AISIN CORPORATION**, Kariya (JP)

JP D0635108 S 9/1984
JP 2001191397 A 7/2001

(72) Inventors: **Masashi Miwa**, Fujisawa (JP);
Takahisa Kobayashi, Fujisawa (JP);
Norio Kato, Fujisawa (JP); **Kimihiko Kinoshita**, Fujisawa (JP)

(Continued)

Primary Examiner — Joseph Kukella

Assistant Examiner — Lavon M. Amerson

(73) Assignee: **AISIN CORPORATION**, Kariya (JP)

(74) *Attorney, Agent, or Firm* — Buchanan Ingersoll & Rooney PC

(**) Term: **15 Years**

(21) Appl. No.: **29/782,579**

(57) **CLAIM**

(22) Filed: **May 7, 2021**

The ornamental design for a vehicle running board, as shown and described.

(30) **Foreign Application Priority Data**

Nov. 12, 2020 (JP) 2020-024353 D

(51) **LOC (14) Cl.** **12-16**

(52) **U.S. Cl.**
USPC **D12/203**

(58) **Field of Classification Search**
USPC D8/349, 354, 355, 380; D15/1-6;
D24/183, 184; D20/44; D34/3;
D16/242, 244, 250; D12/162, 203, 223
CPC A47G 1/24; A47G 25/0657; E05C 19/145;
F16L 33/12; F16L 33/02; F16L 33/08
See application file for complete search history.

DESCRIPTION

FIG. 1 is a front, top and left side perspective view of a vehicle running board showing our new design;
FIG. 2 is a rear, bottom and left side perspective view thereof;
FIG. 3 is a front view thereof;
FIG. 4 is a rear view thereof;
FIG. 5 is a top plan view thereof;
FIG. 6 is a bottom plan thereof;
FIG. 7 is a left side view thereof;
FIG. 8 is an enlarged cross-sectional view taken along line 8-8 in FIG. 3;
FIG. 9 is an enlarged cross-sectional view taken along line 9-9 in FIG. 3;
FIG. 10 is a front, top and left side perspective view with the board being folded; and,
FIG. 11 is a rear, bottom and left side perspective view with the board being folded.
The broken lines illustrate portions of the vehicle running board that form no part of the claimed design. The dash-dotted lines denote the boundary of the claim and form no part of the claimed design.

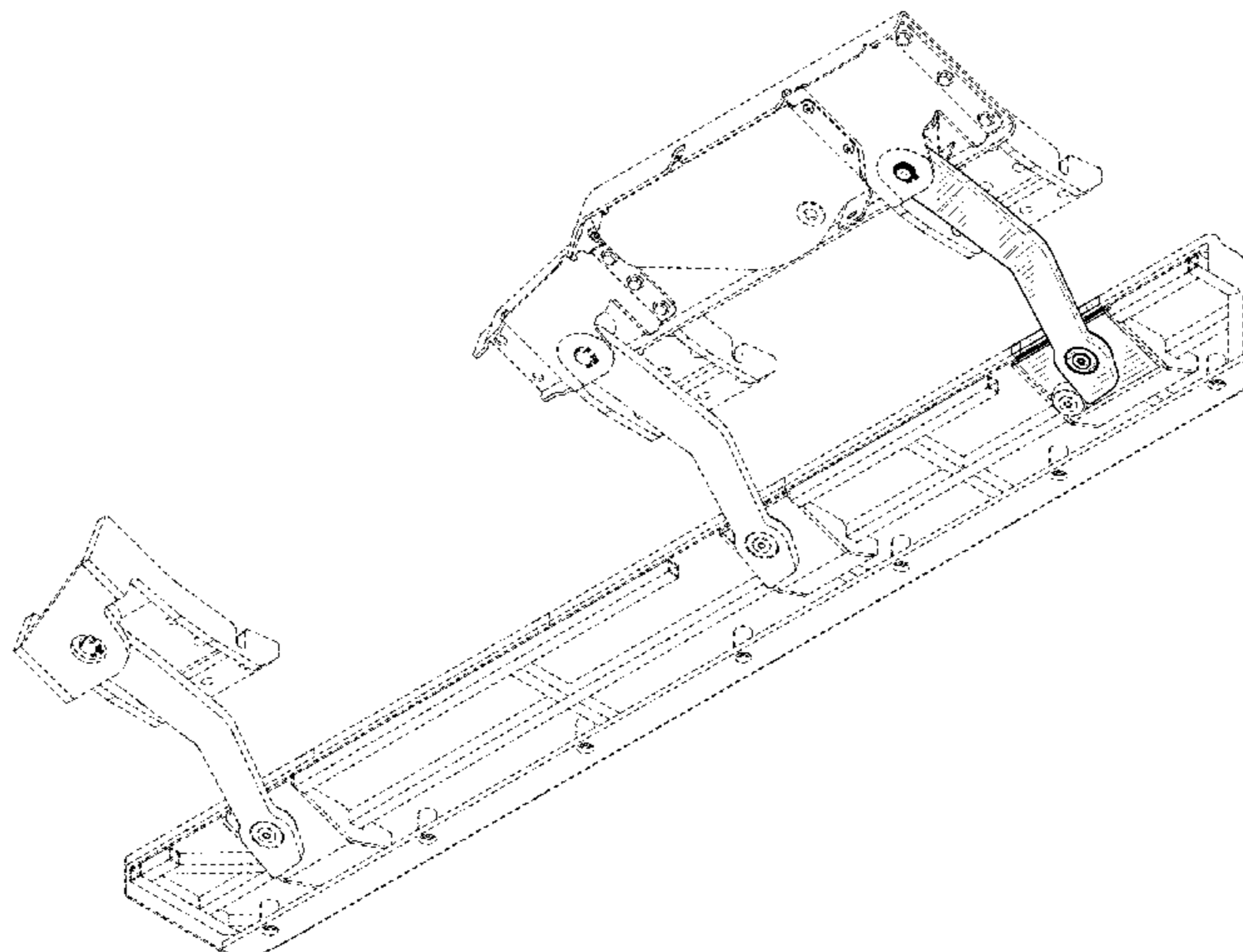
(56) **References Cited**

U.S. PATENT DOCUMENTS

D267,471 S * 1/1983 Mundorf B62M 25/00
D8/380
D278,622 S * 4/1985 Hunnell B60R 3/002
D15/4
D308,850 S * 6/1990 McGuire B62M 25/00
D15/4
D362,174 S * 9/1995 Sachs D8/354
5,511,750 A * 4/1996 Evenson B60R 3/002
248/200
D460,734 S * 7/2002 Carlson D15/5

(Continued)

1 Claim, 11 Drawing Sheets



(56)

References Cited

U.S. PATENT DOCUMENTS

D461,826 S * 8/2002 Starkey, Sr. B60R 3/002
D10/103
D559,755 S 1/2008 Ito et al.
D571,640 S * 6/2008 Misch D8/354
D682,883 S * 5/2013 Turek F16H 57/032
D15/4
D836,674 S * 12/2018 Paddock F16H 57/032
D15/5
D903,715 S * 12/2020 Leichliter F16H 57/032
D15/5
D914,764 S * 3/2021 Marchant D15/4
D945,356 S * 3/2022 Ganshaw D13/102
2004/0070163 A1 * 4/2004 Schneider B60R 3/002
280/163
2016/0031415 A1 * 2/2016 Kunisada B62M 25/00
180/219

FOREIGN PATENT DOCUMENTS

JP 2004175339 A 6/2004
JP D1227474 S 1/2005
JP D1315542 S 11/2007
JP 2015020489 A 2/2015
JP D1543203 S 2/2016
JP 2016188043 A 11/2016
JP 2018176799 A 11/2018
JP 2019119225 A 7/2019
JP 2019137385 A 8/2019
JP 2019217967 A 12/2019
JP 2020032847 A 3/2020
JP D202-24353 * 11/2020
JP D2020-24352 * 11/2020

* cited by examiner

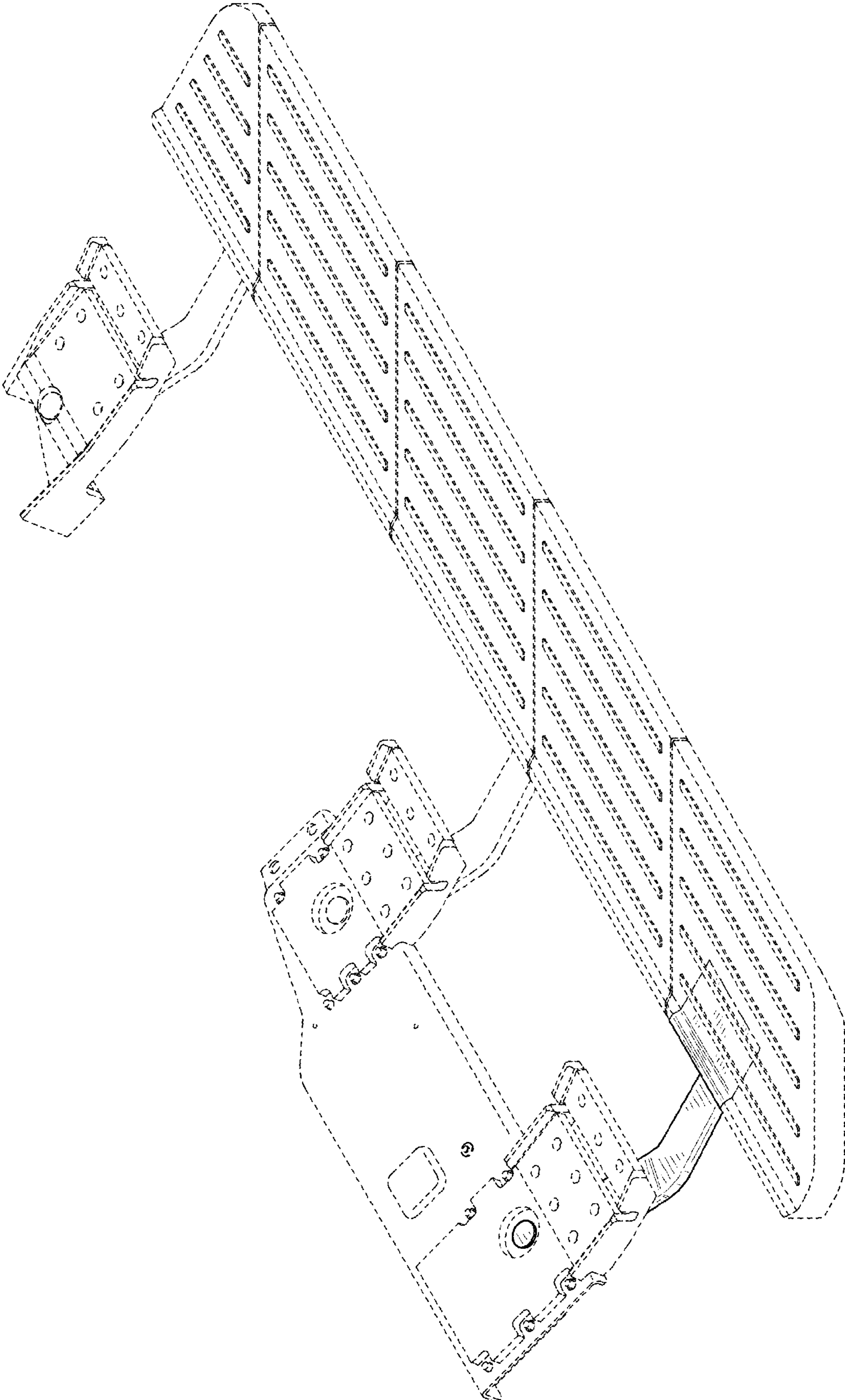


FIG.1

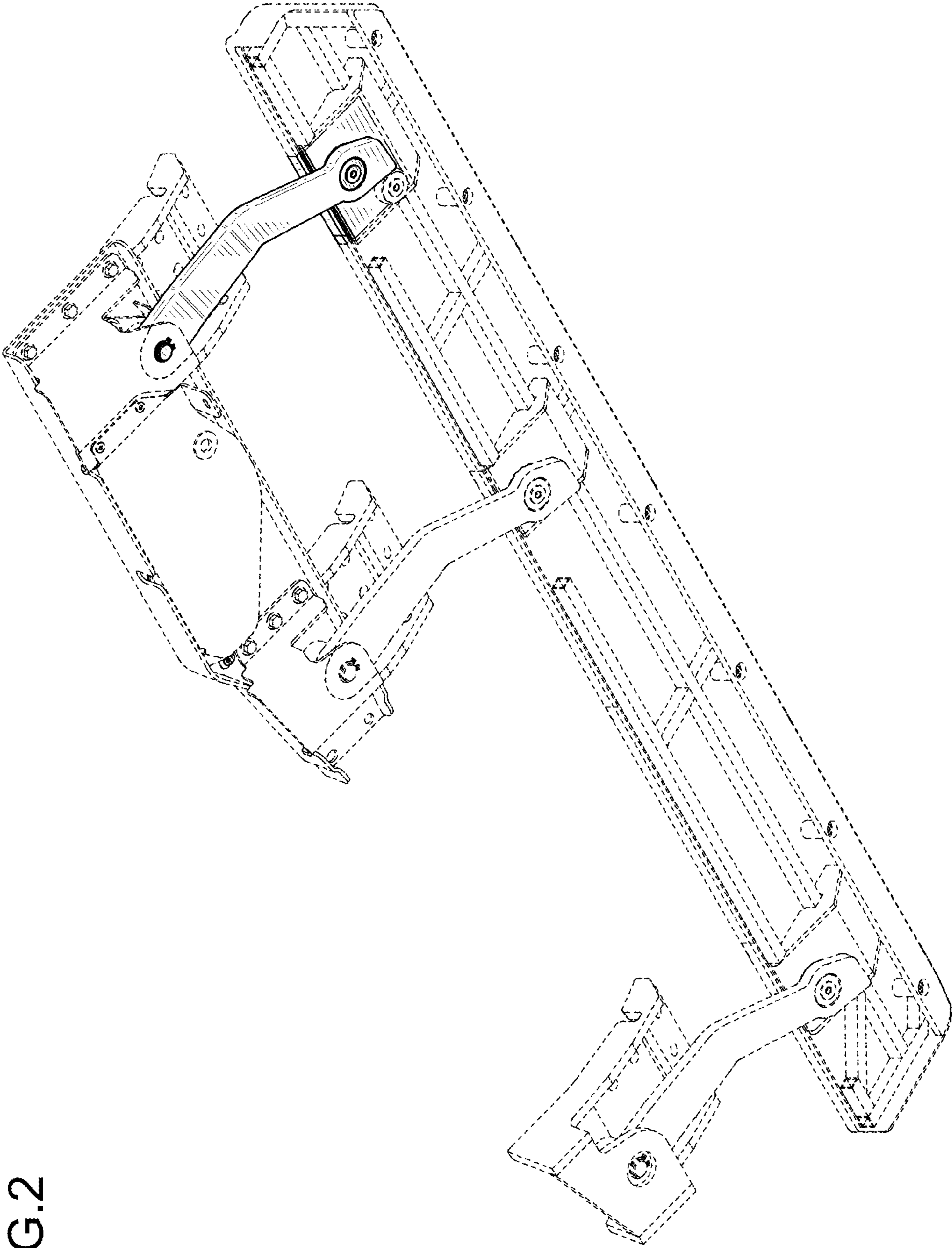


FIG.2

FIG.3

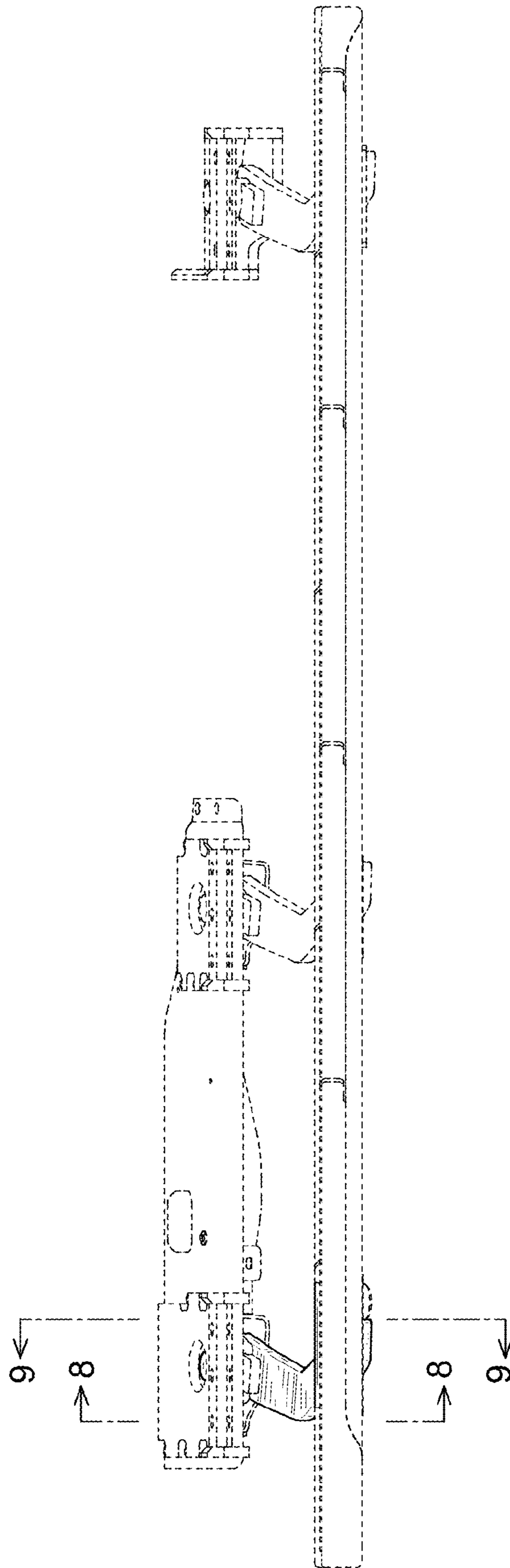


FIG.4

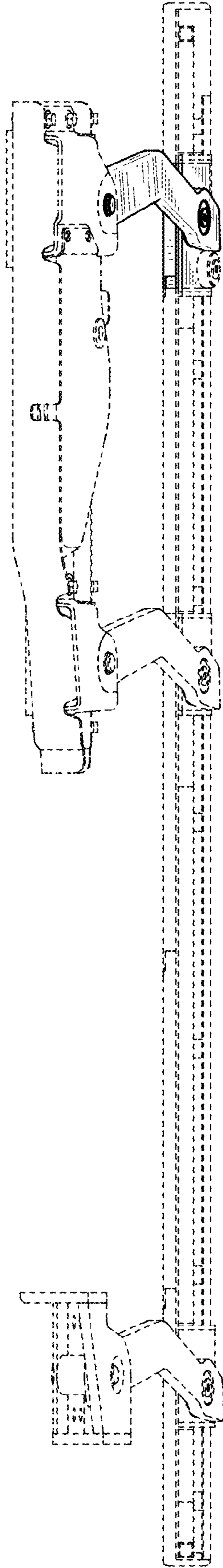


FIG.5

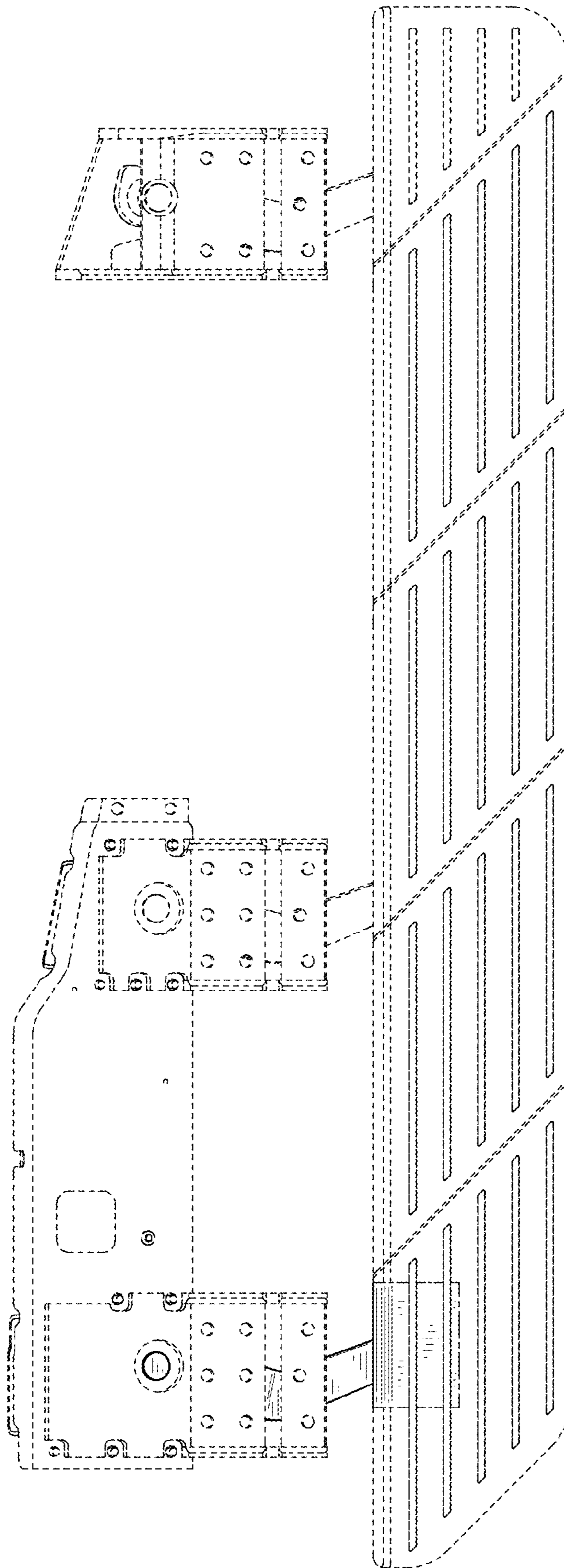


FIG.6

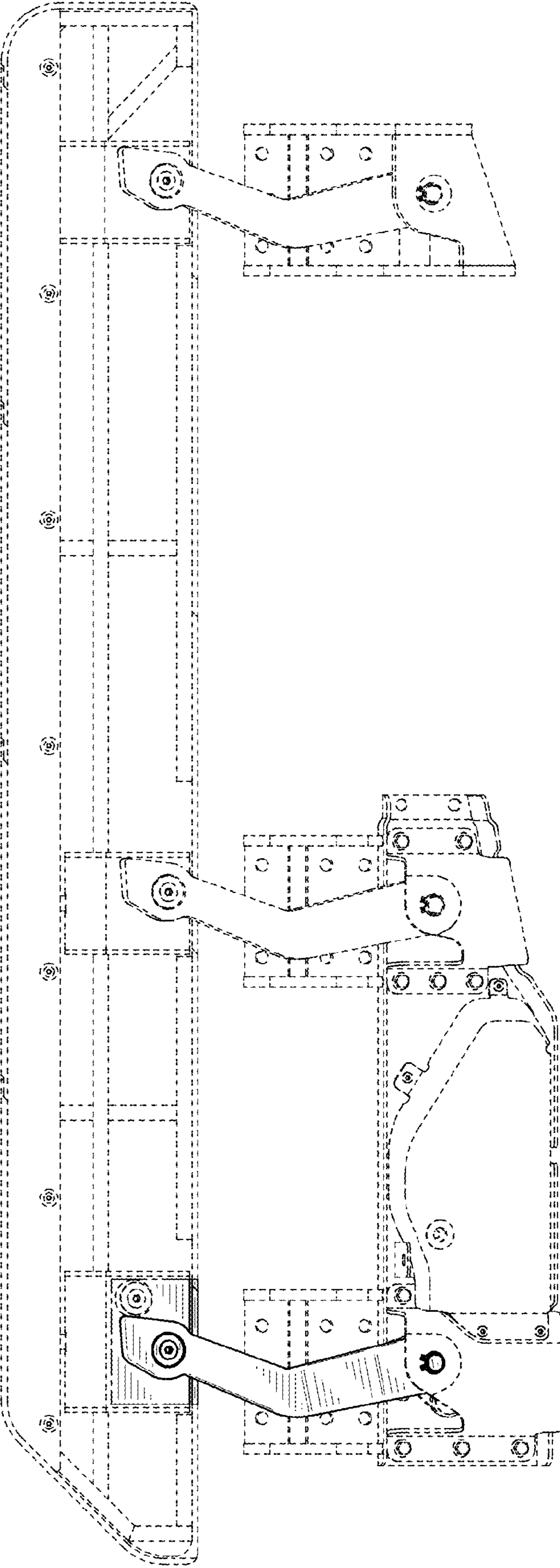


FIG.7

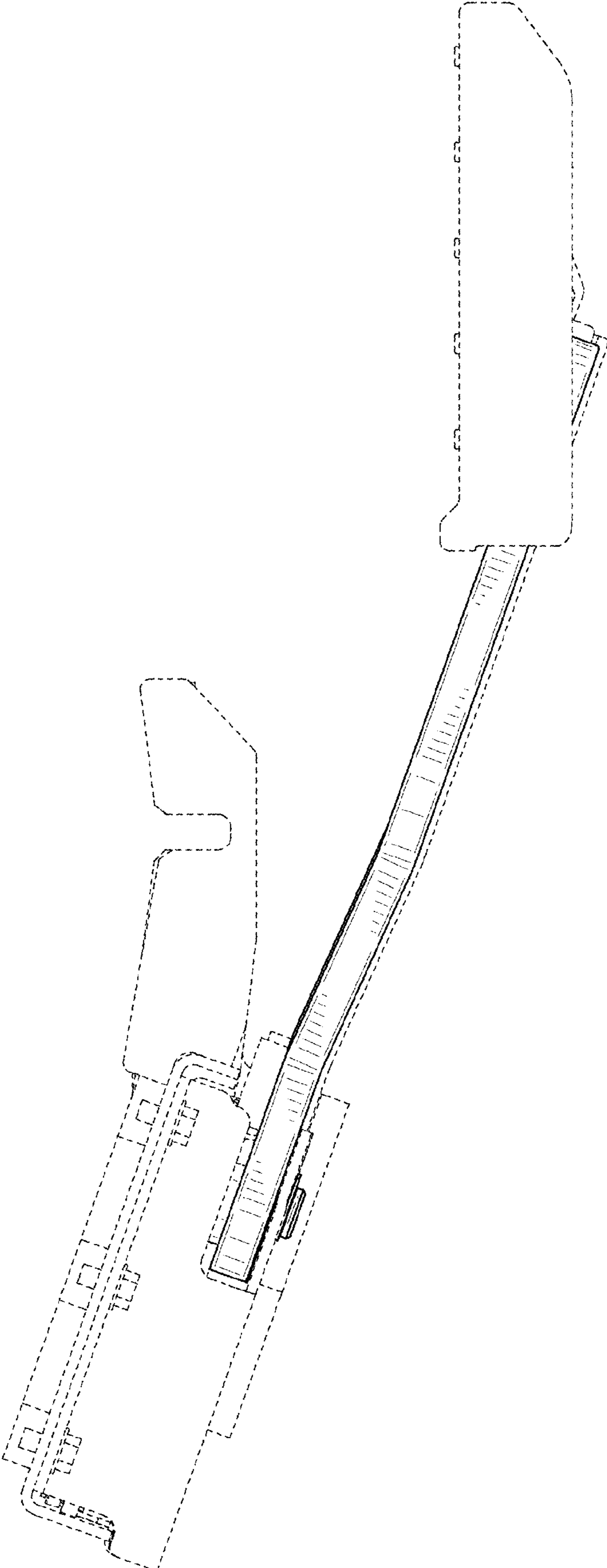


FIG.8

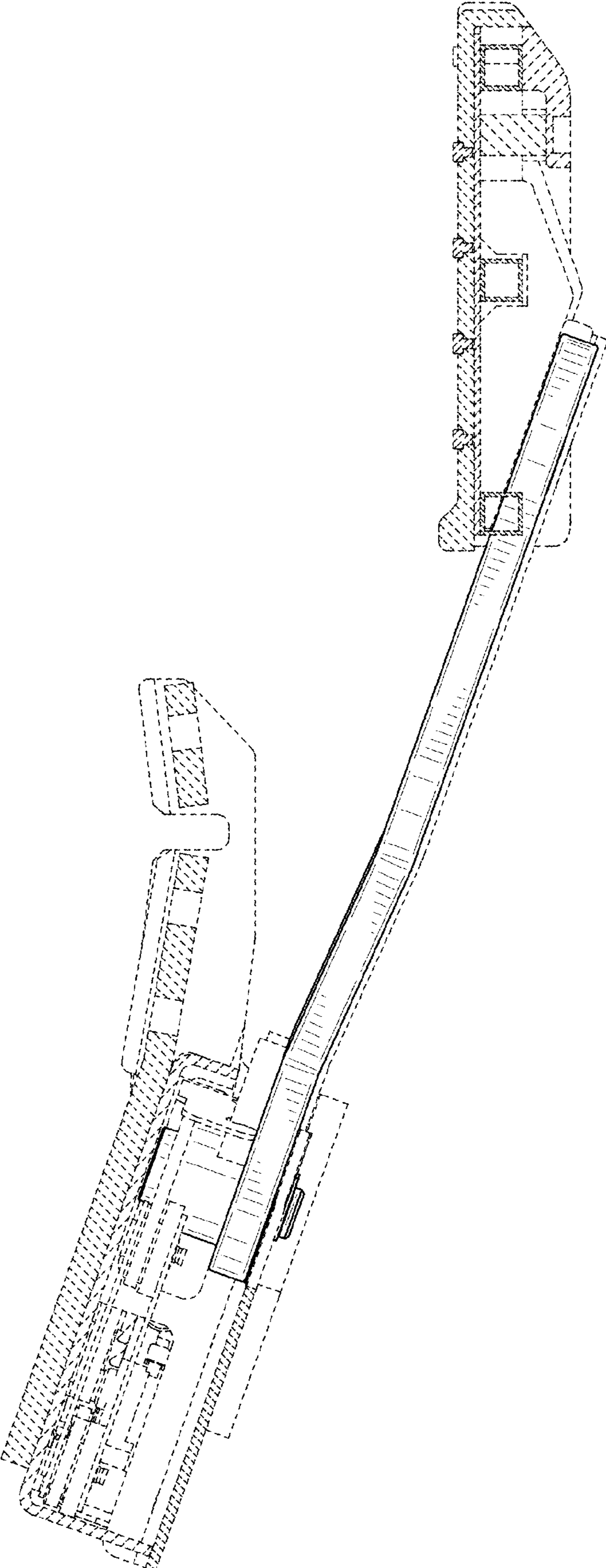
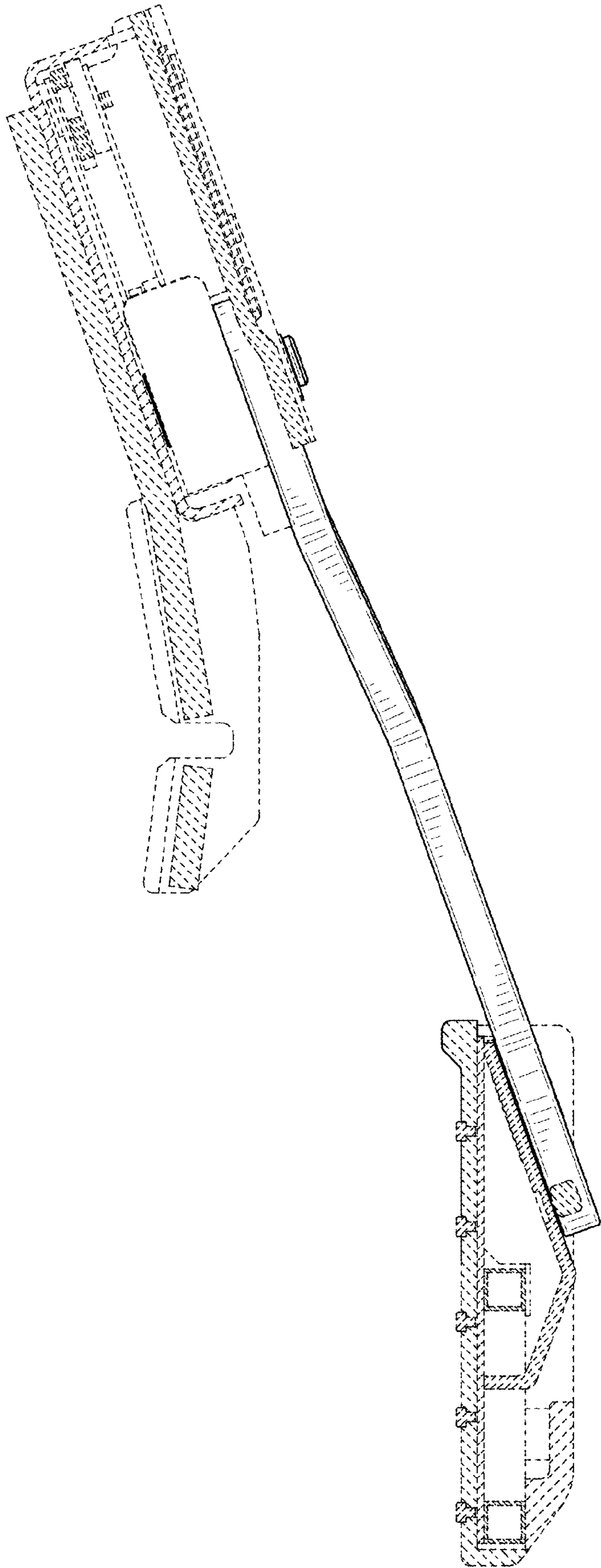


FIG. 9



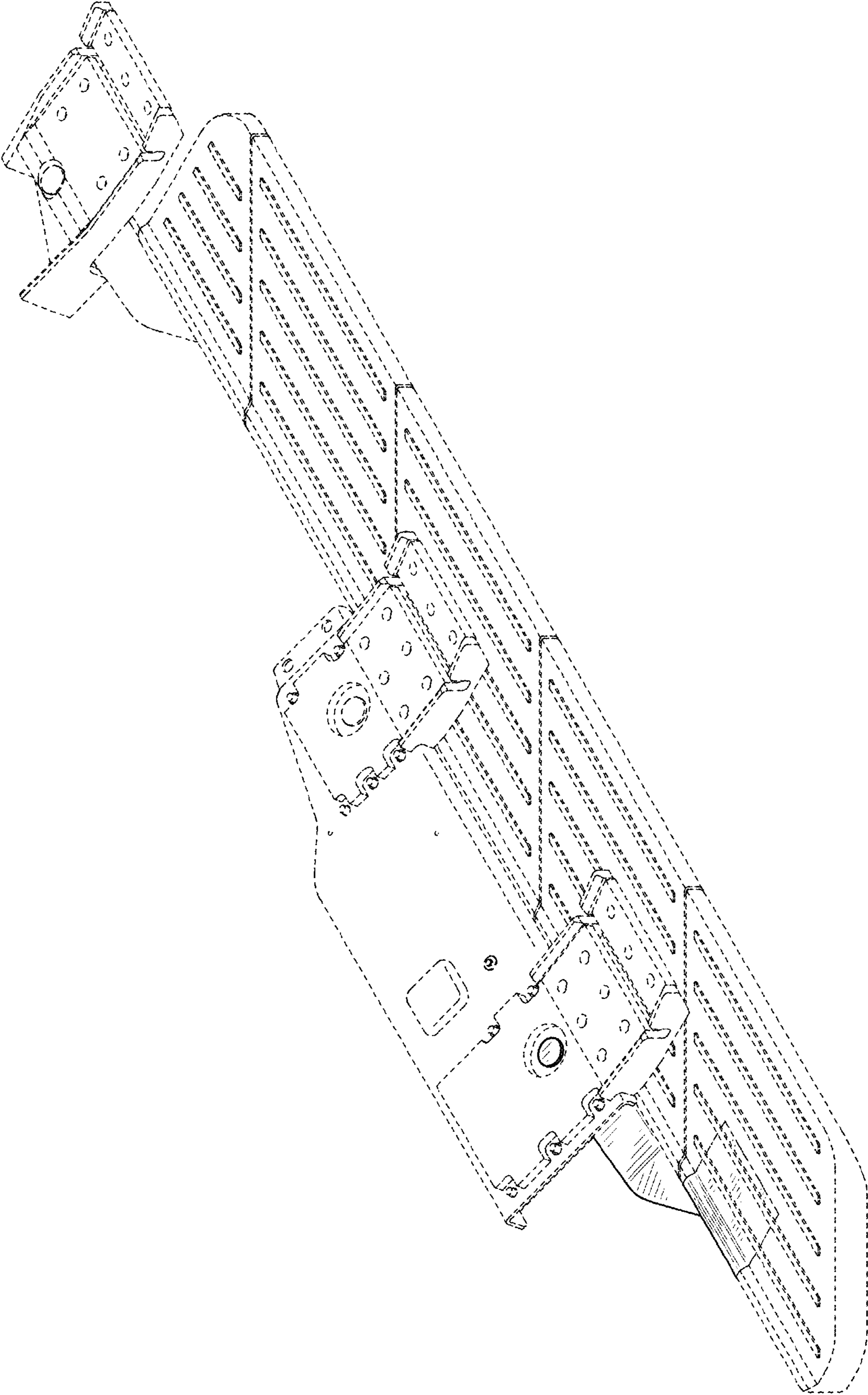


FIG.10

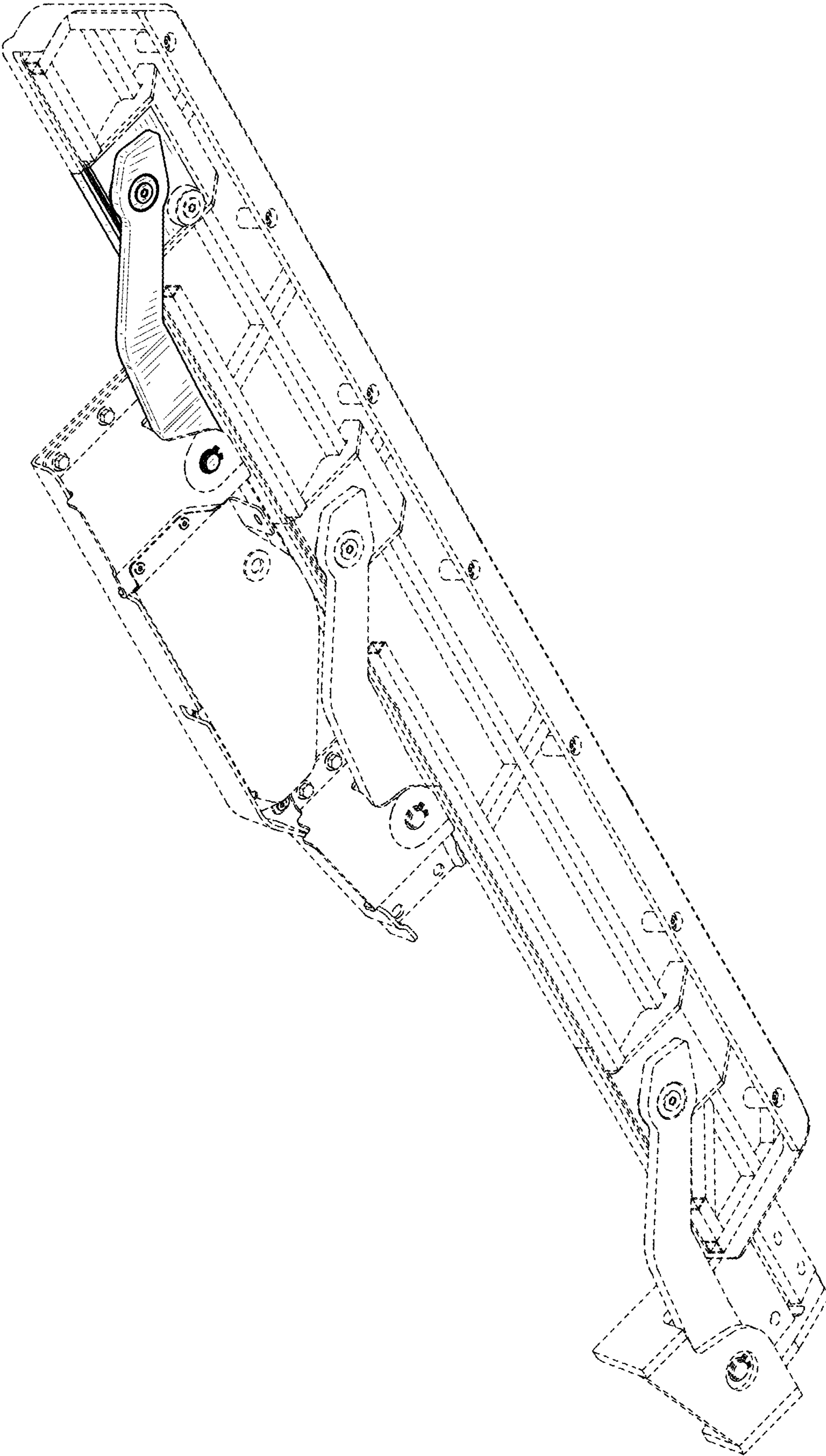


FIG.11