



US00D983710S

(12) **United States Design Patent**  
**Baek et al.**

(10) **Patent No.:** **US D983,710 S**  
(45) **Date of Patent:** **\*\* Apr. 18, 2023**

(54) **REAR BUMPER COVER FOR VEHICLES**

(71) Applicants: **Hyundai Motor Company**, Seoul (KR); **Kia Corporation**, Seoul (KR)

(72) Inventors: **Woo-Yul Baek**, Gyeonggi-do (KR); **Yong-Jun Heo**, Gyeonggi-do (KR)

(73) Assignees: **Hyundai Motor Company**, Seoul (KR); **Kia Corporation**, Seoul (KR)

(\*\*) Term: **15 Years**

(21) Appl. No.: **29/800,793**

(22) Filed: **Jul. 23, 2021**

(30) **Foreign Application Priority Data**

Feb. 23, 2021 (KR) ..... 30-2021-0008910

(51) **LOC (14) Cl.** ..... **12-16**

(52) **U.S. Cl.**  
USPC ..... **D12/169**

(58) **Field of Classification Search**  
USPC ..... D12/169, 196, 86, 90-92, 163, 190, 98,  
D12/164; 293/102, 113, 115, 117, 120,  
293/193.11; 296/180.1, 180.2  
CPC ..... B60R 19/02; B60R 19/04; B62D 25/08  
See application file for complete search history.

(56) **References Cited**

**U.S. PATENT DOCUMENTS**

D838,638 S \* 1/2019 Wada ..... D12/169  
D931,772 S \* 9/2021 Akcay ..... D12/169

D931,773 S \* 9/2021 Schell ..... D12/169  
D932,393 S \* 10/2021 Akcay ..... D12/169  
D934,753 S \* 11/2021 Asano ..... D12/169  
D934,758 S \* 11/2021 Akcay ..... D12/169  
D935,357 S \* 11/2021 Akcay ..... D12/169  
D937,153 S \* 11/2021 Isogai ..... D12/169

\* cited by examiner

*Primary Examiner* — Melody N Brown

(74) *Attorney, Agent, or Firm* — Fox Rothschild LLP

(57) **CLAIM**

The ornamental design for a rear bumper cover for vehicles, as shown and described.

**DESCRIPTION**

FIG. 1 is a perspective view of a rear bumper cover for vehicles according to the present invention.

FIG. 2 is a front view of the rear bumper cover for vehicles of FIG. 1.

FIG. 3 is a rear view of the rear bumper cover for vehicles of FIG. 1.

FIG. 4 is a left side view of the rear bumper cover for vehicles of FIG. 1.

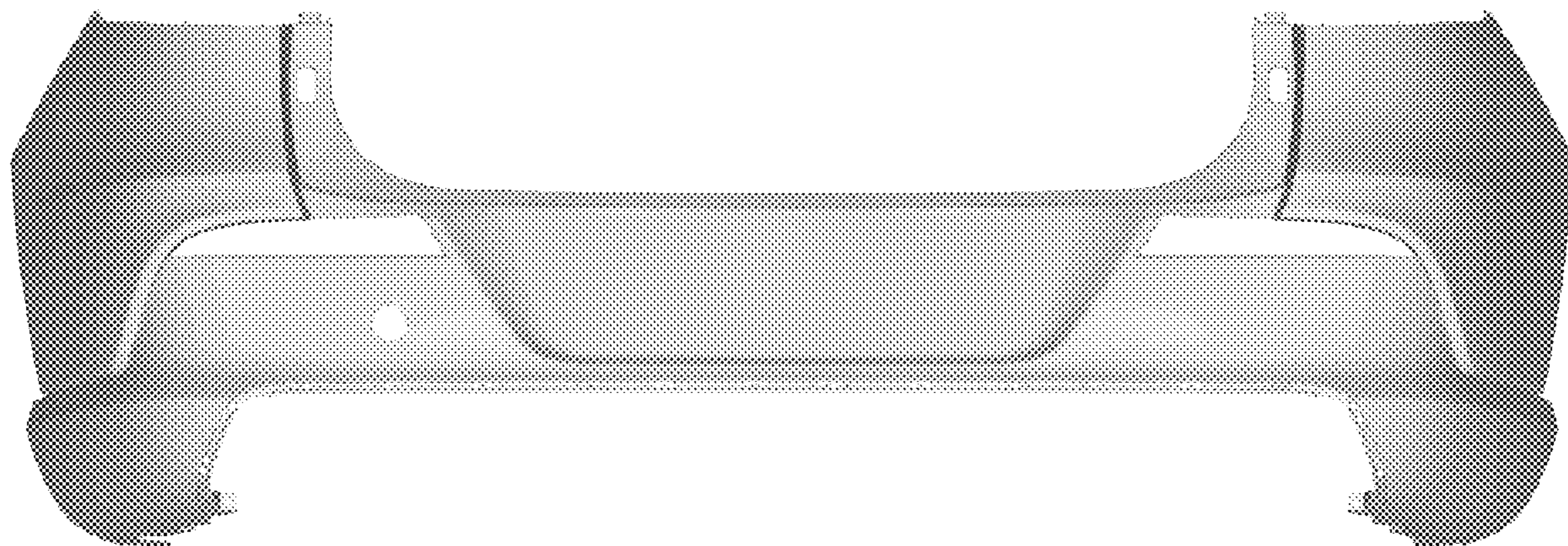
FIG. 5 is a right side view of the rear bumper cover for vehicles of FIG. 1.

FIG. 6 is a top view of the rear bumper cover for vehicles of FIG. 1.

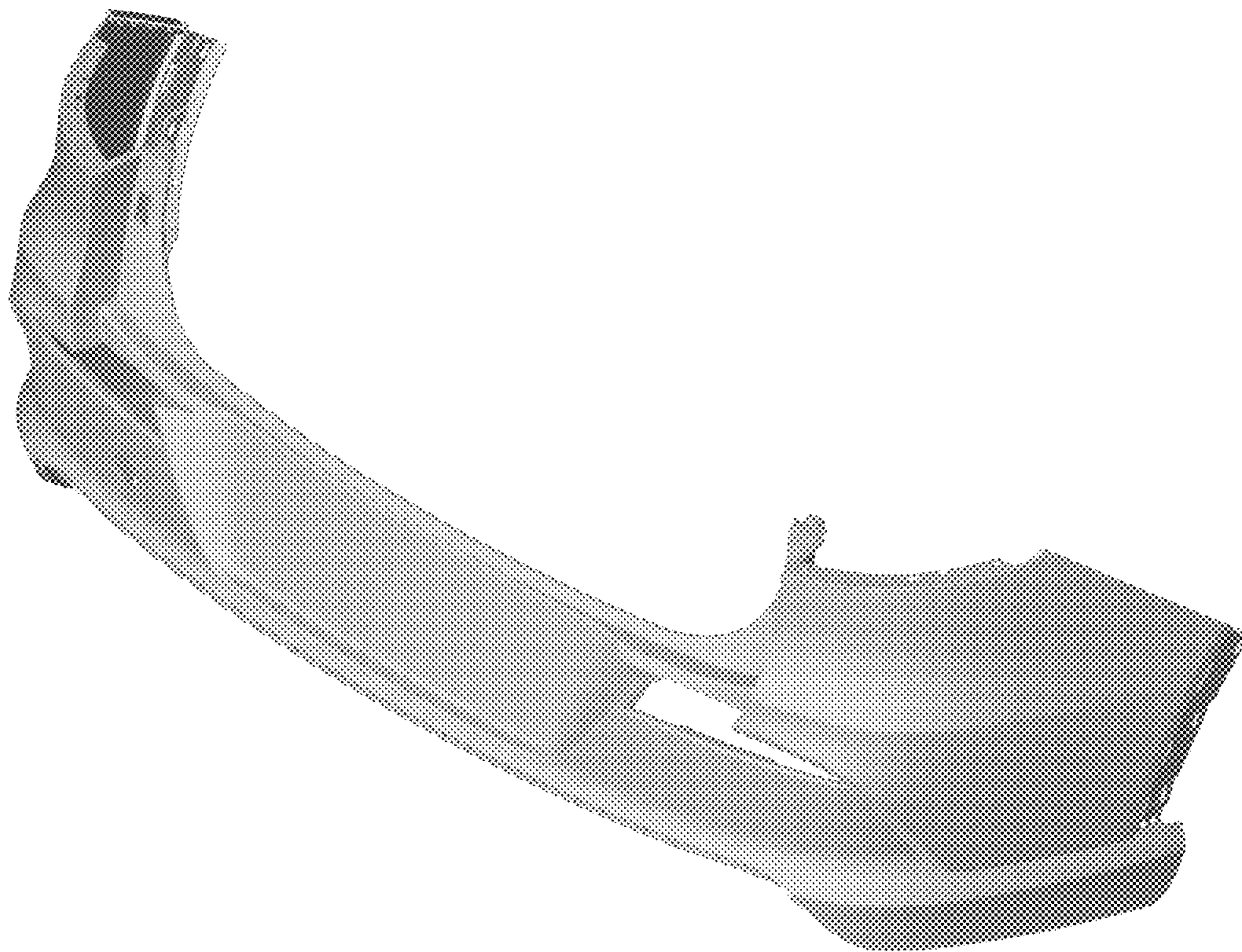
FIG. 7 is a bottom view of the rear bumper cover for vehicles of FIG. 1; and,

FIG. 8 is another perspective view of the rear bumper cover for vehicles of FIG. 1.

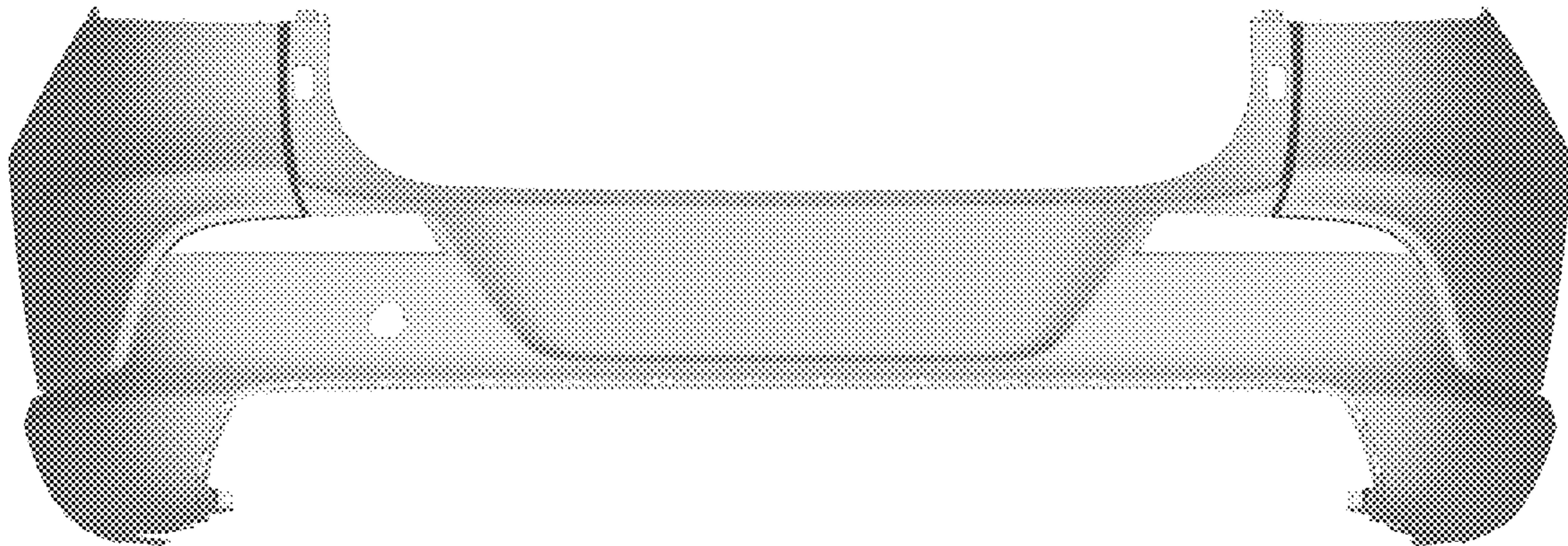
**1 Claim, 8 Drawing Sheets**



**FIG. 1**



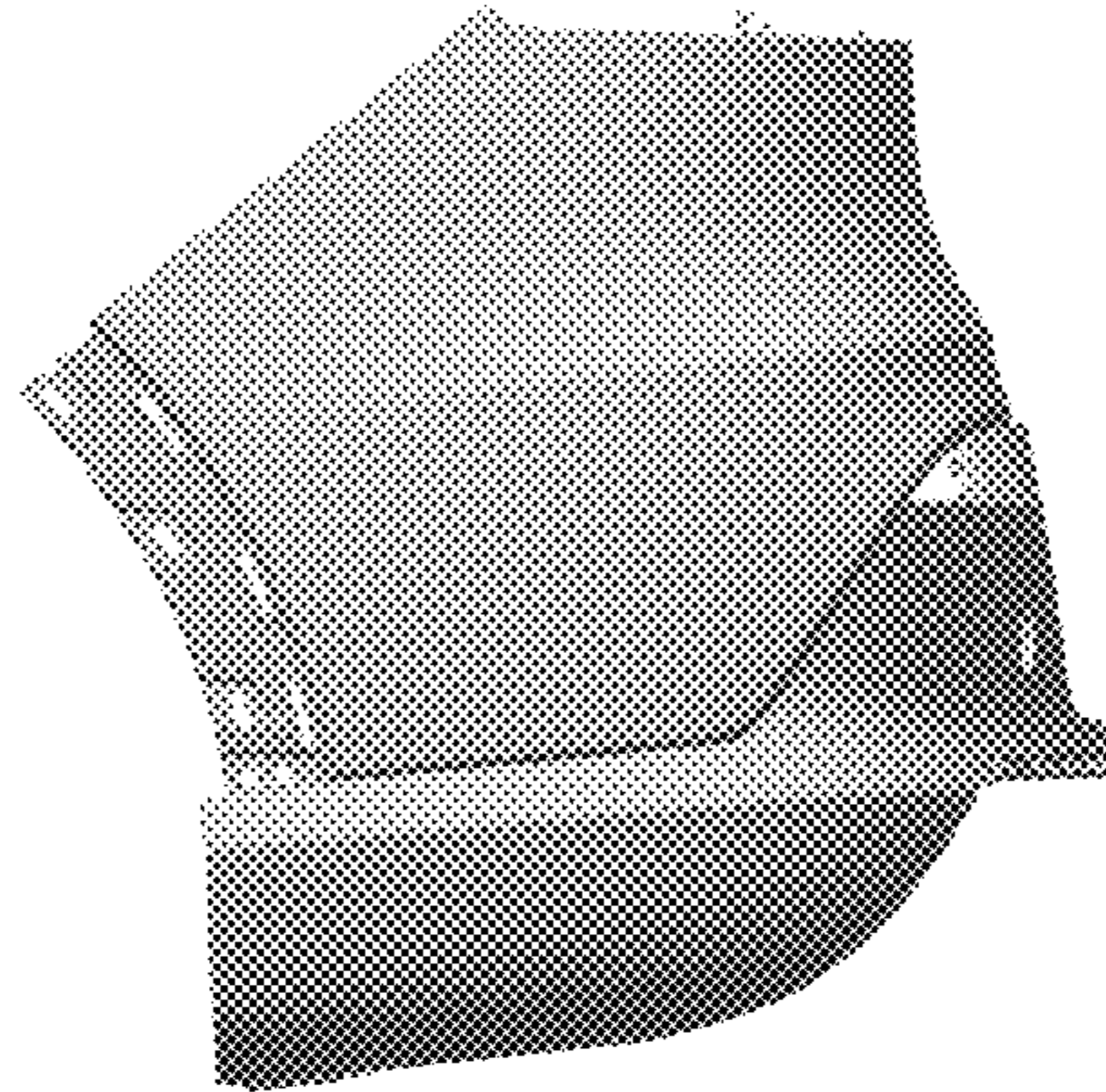
**FIG. 2**



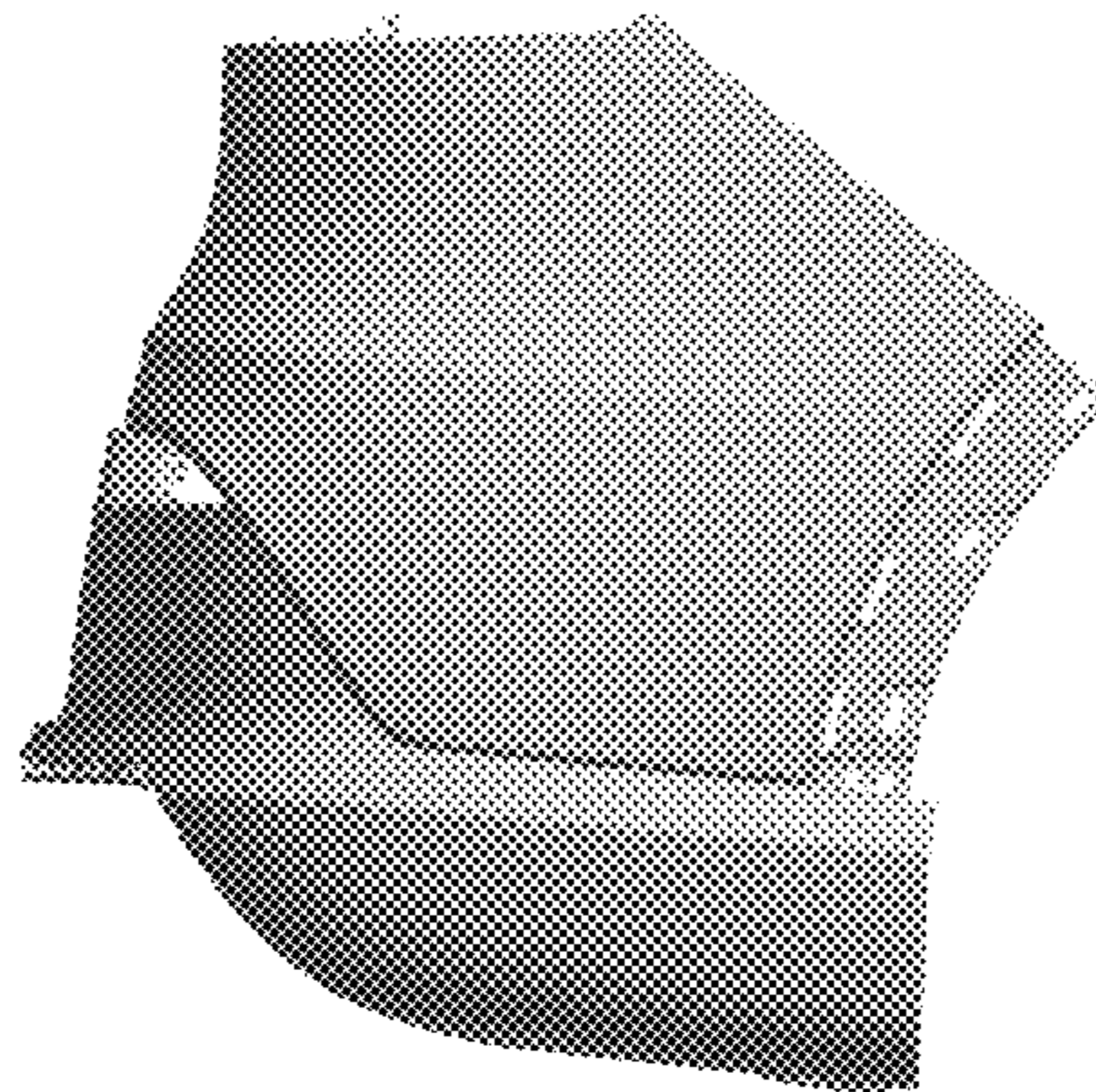
**FIG. 3**



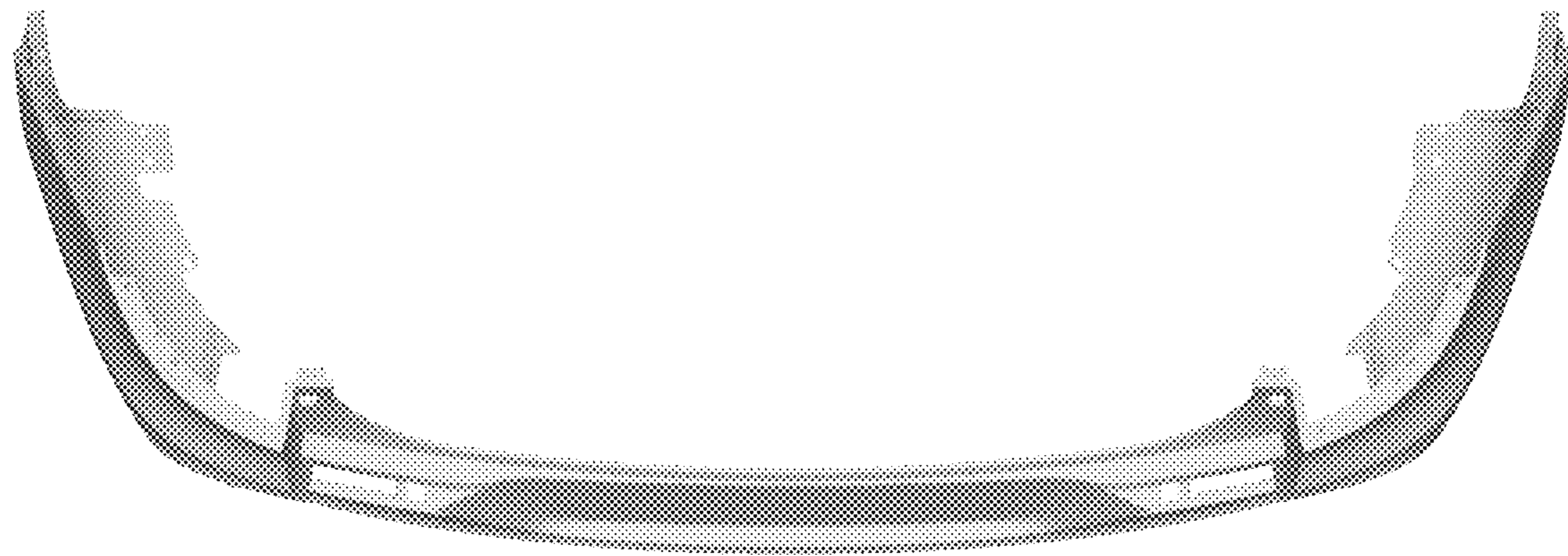
**FIG. 4**



**FIG. 5**



**FIG. 6**



**FIG. 7**





**FIG. 8**

