



US00D983709S

(12) **United States Design Patent**  
**Ji et al.**

(10) **Patent No.:** **US D983,709 S**

(45) **Date of Patent:** **\*\* Apr. 18, 2023**

(54) **REAR BUMPER COVER FOR VEHICLES**

(71) Applicants: **Hyundai Motor Company**, Seoul (KR); **Kia Corporation**, Seoul (KR)

(72) Inventors: **Jaeho Ji**, Daegu (KR); **Kwaeje Cho**, Gyeonggi-Do (KR)

(73) Assignees: **Hyundai Motor Company**, Seoul (KR); **Kia Corporation**, Seoul (KR)

(\*\*) Term: **15 Years**

(21) Appl. No.: **29/799,800**

(22) Filed: **Jul. 16, 2021**

(30) **Foreign Application Priority Data**

Mar. 29, 2021 (KR) ..... 30-2021-0015035

(51) **LOC (14) Cl.** ..... **12-16**

(52) **U.S. Cl.**  
USPC ..... **D12/169**

(58) **Field of Classification Search**  
USPC ..... D12/169, 196, 86, 90-92, 163, 190, 98,  
D12/164; 293/102, 113, 115, 117, 120,  
293/193.11; 296/180.1, 180.2  
CPC ..... B60R 19/02; B60R 19/04; B62D 25/08  
See application file for complete search history.

(56) **References Cited**

**U.S. PATENT DOCUMENTS**

D856,867 S \* 8/2019 Elstner ..... D12/169  
D867,234 S \* 11/2019 Peplowski ..... D12/169

D870,611 S \* 12/2019 Tonello ..... D12/169  
D882,467 S \* 4/2020 Matsumoto ..... D12/169  
D882,468 S \* 4/2020 Sperling ..... D12/169  
D887,915 S \* 6/2020 Davidson ..... D12/169  
D909,262 S \* 2/2021 Gilbert ..... D12/169  
D927,368 S \* 8/2021 Wietzychowski ..... D12/169  
D927,373 S \* 8/2021 Lim ..... D12/169  
D932,393 S \* 10/2021 Akcay ..... D12/169

\* cited by examiner

*Primary Examiner* — Melody N Brown

(74) *Attorney, Agent, or Firm* — Fox Rothschild LLP

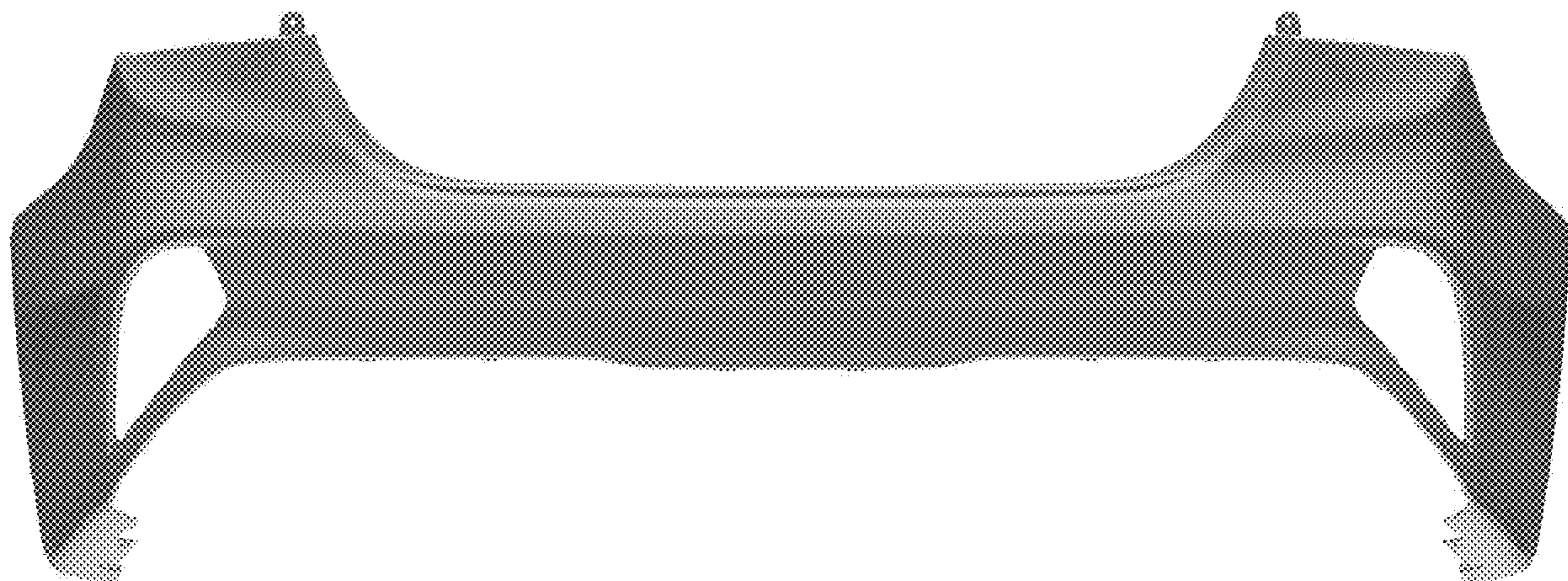
(57) **CLAIM**

The ornamental design for a rear bumper cover for vehicles, as shown and described.

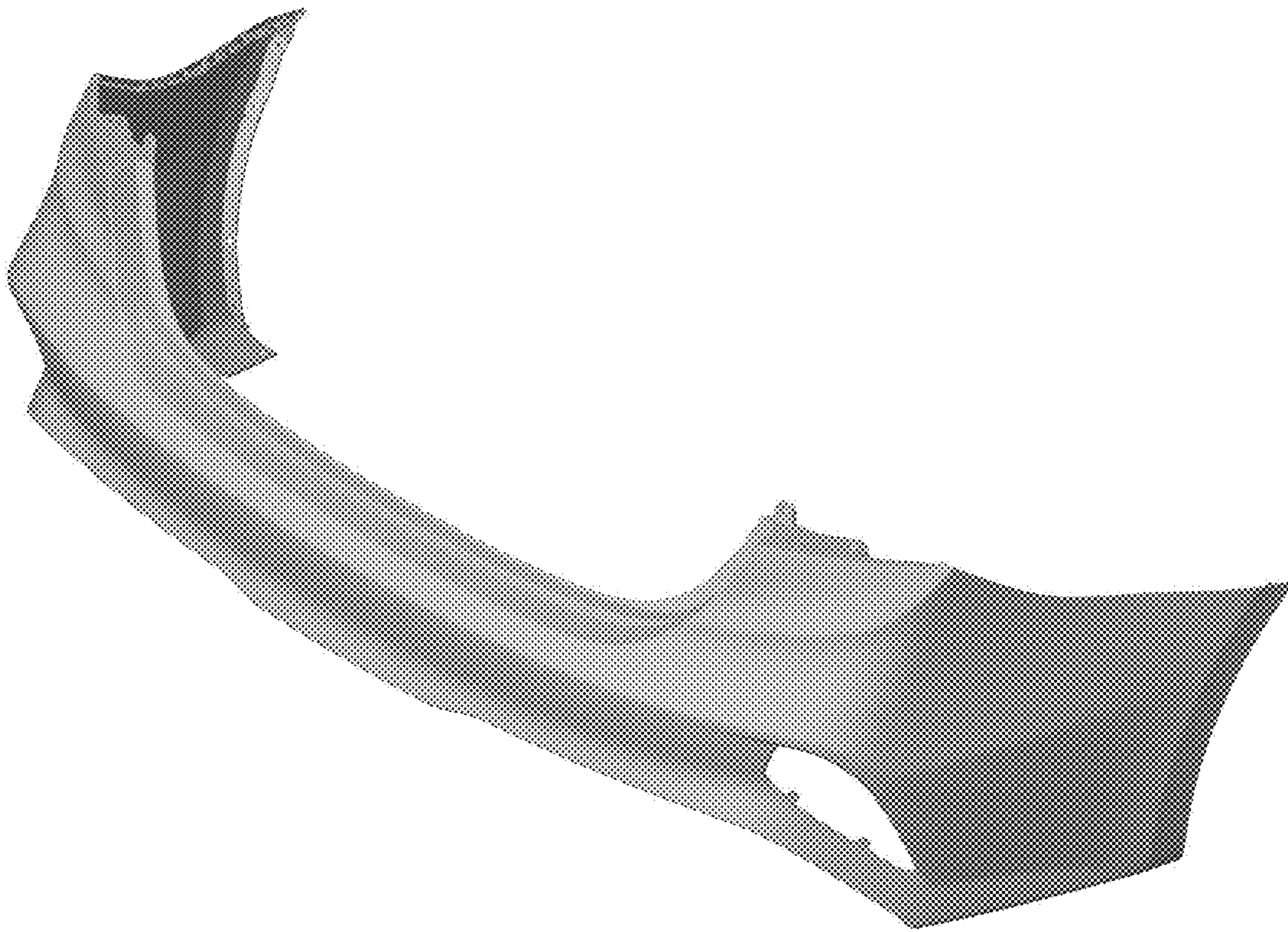
**DESCRIPTION**

FIG. 1 is a top, front and right side perspective view of a rear bumper cover for vehicles showing our new design;  
FIG. 2 is a front elevational view thereof;  
FIG. 3 is a rear elevational view thereof;  
FIG. 4 is a left side elevational view thereof;  
FIG. 5 is a right side elevational view thereof;  
FIG. 6 is a top plan view thereof;  
FIG. 7 is a bottom plan view thereof; and,  
FIG. 8 is a rear and right side perspective view thereof.

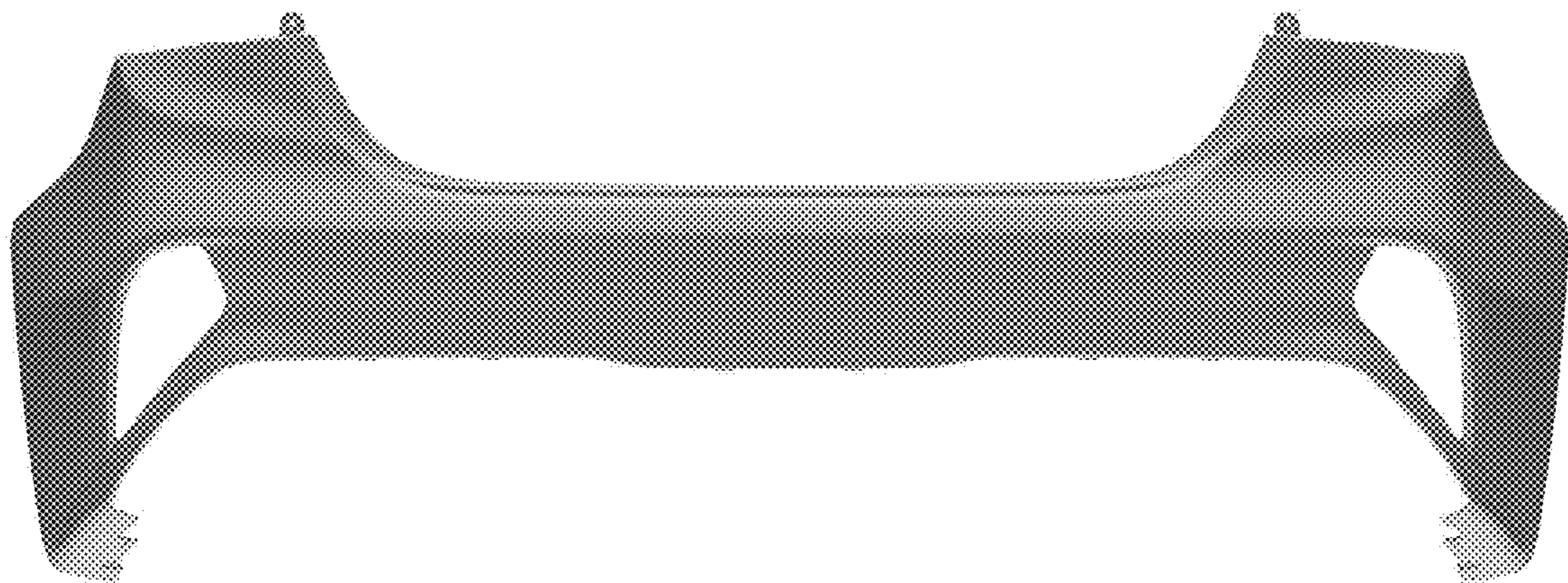
**1 Claim, 8 Drawing Sheets**



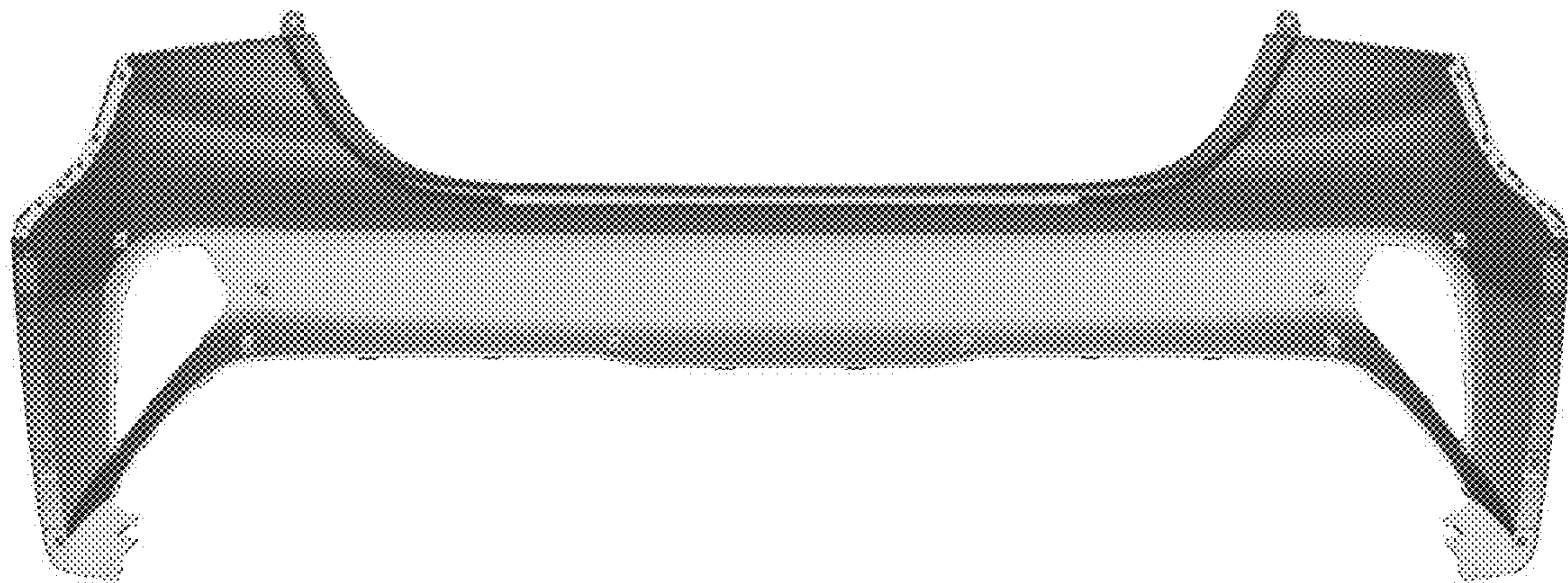
**FIG. 1**



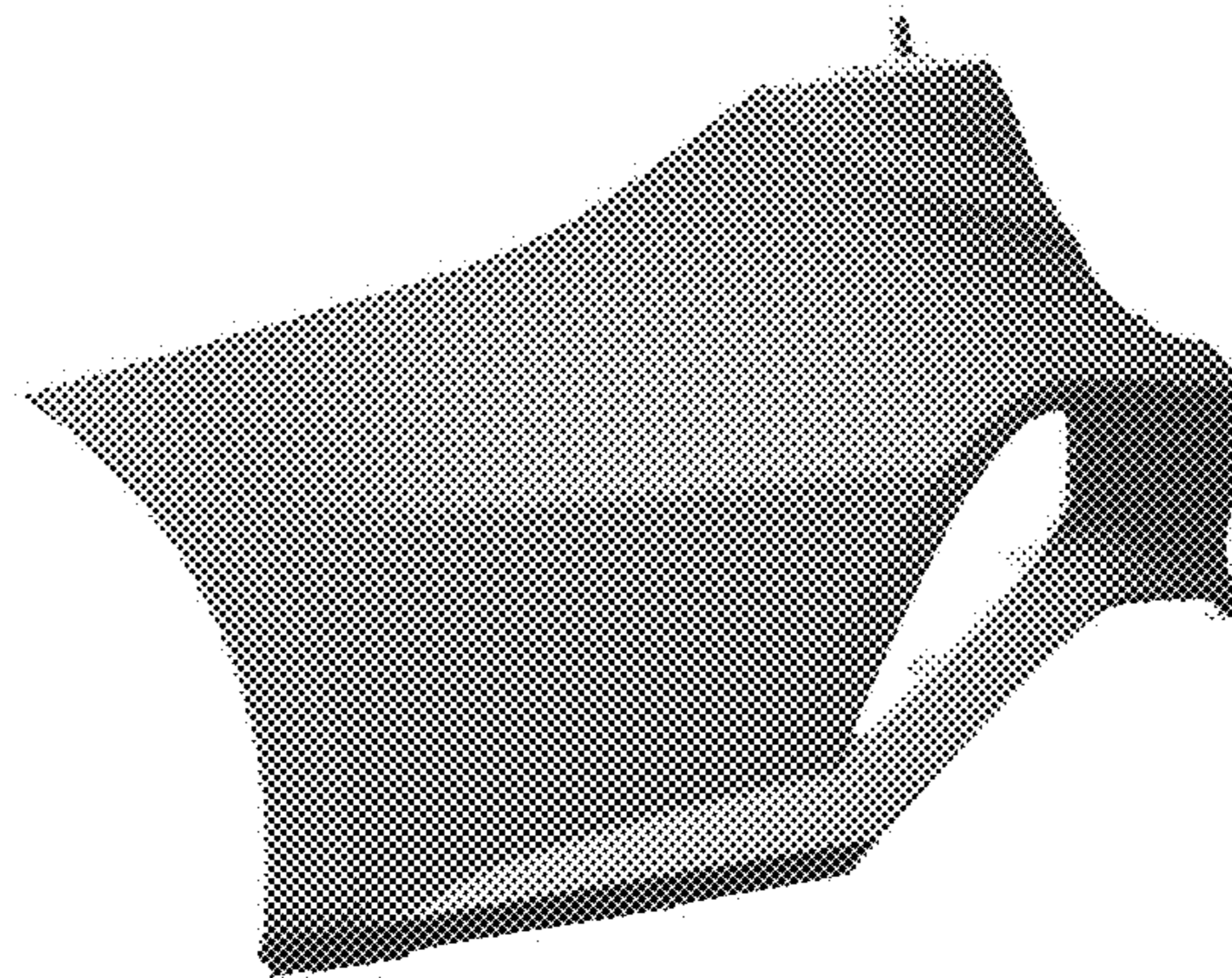
**FIG. 2**



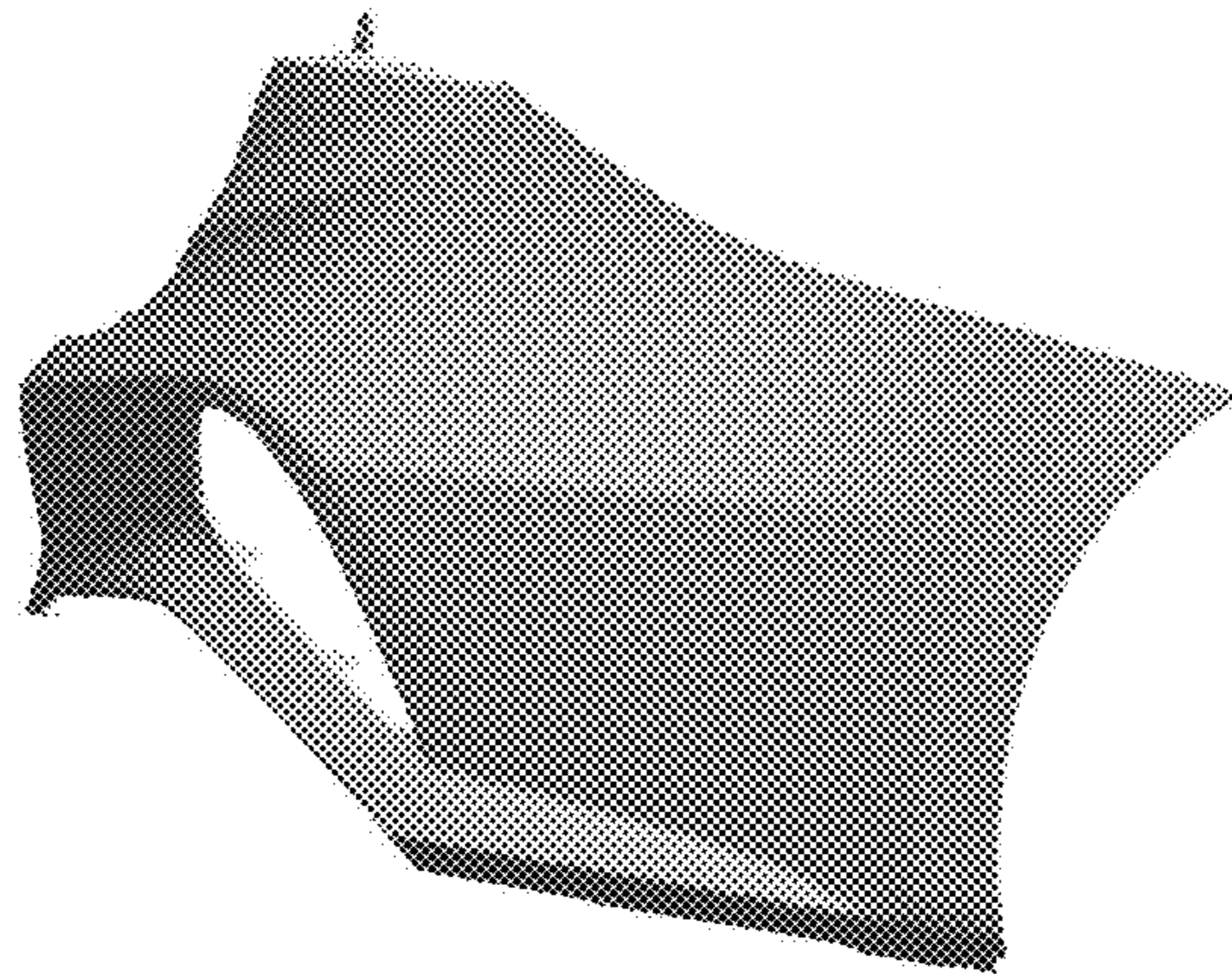
**FIG. 3**



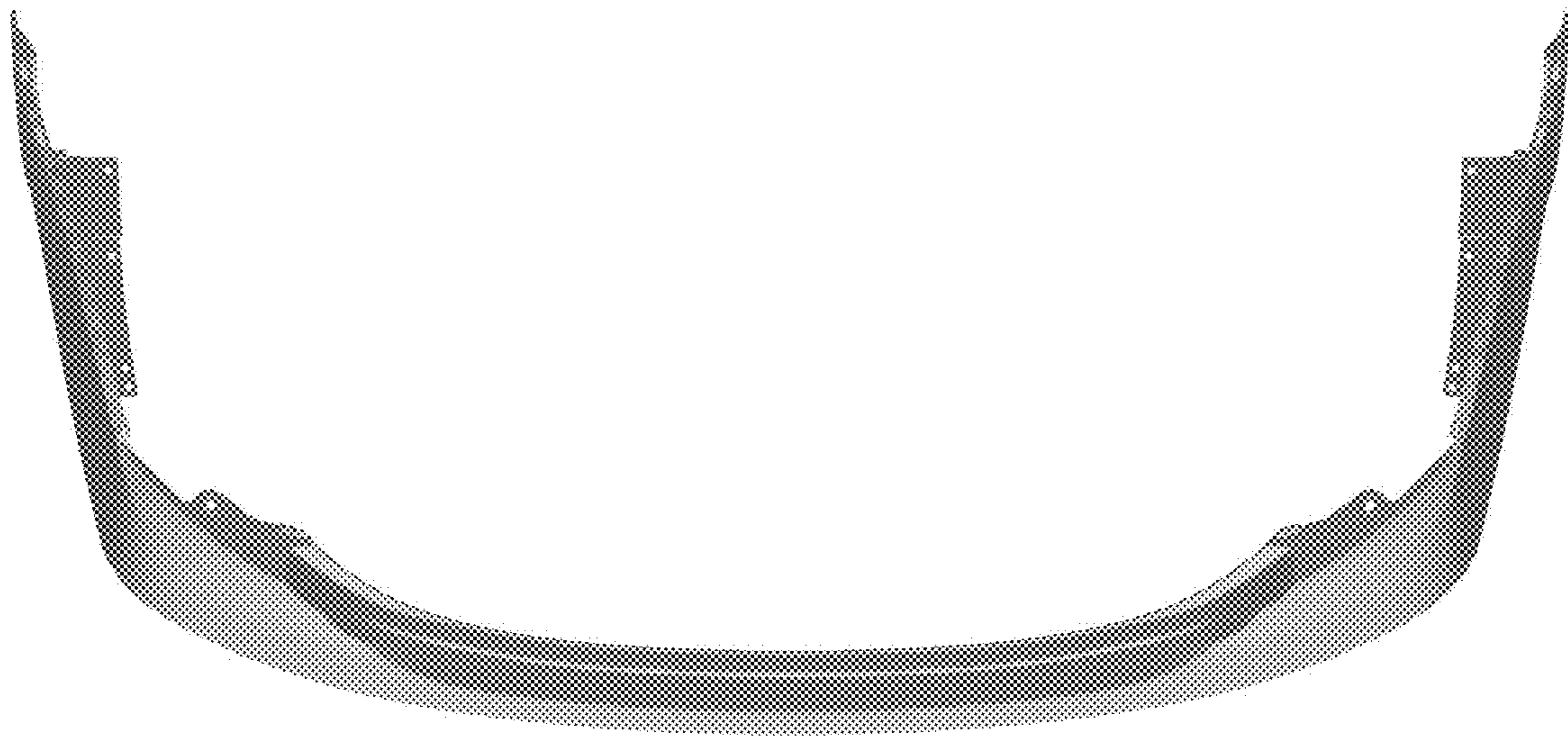
**FIG. 4**



**FIG. 5**



**FIG. 6**



**FIG. 7**

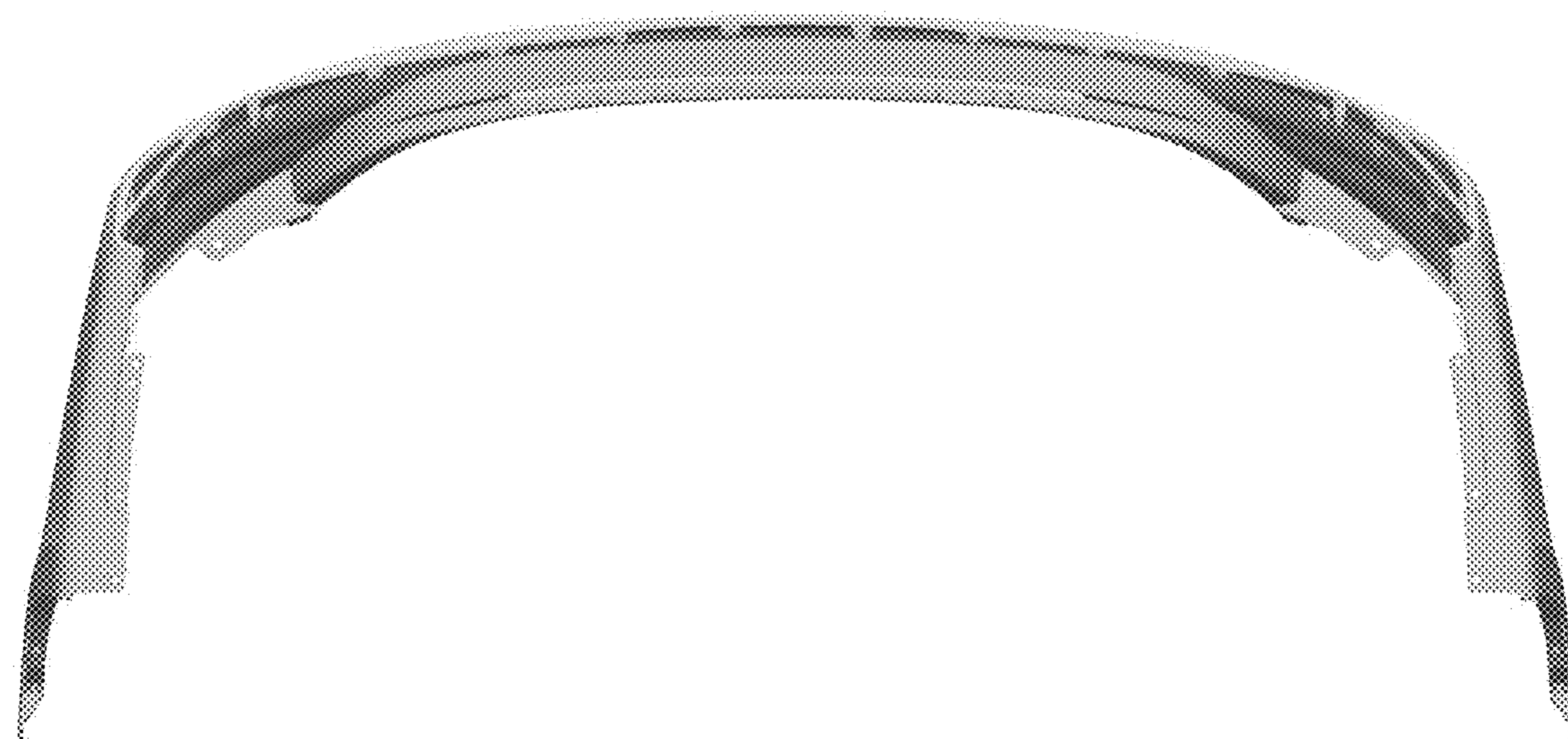




FIG. 8

