



US00D983708S

(12) **United States Design Patent** (10) **Patent No.:** **US D983,708 S**
Honda (45) **Date of Patent:** **** Apr. 18, 2023**

(54) **FRONT BUMPER FOR A MOTOR VEHICLE**

(71) Applicants: **TOYOTA JIDOSHA KABUSHIKI KAISHA**, Toyota (JP); **SUBARU CORPORATION**, Tokyo (JP)

(72) Inventor: **Nobuhiko Honda**, Nisshin (JP)

(73) Assignees: **TOYOTA JIDOSHA KABUSHIKI KAISHA**, Toyota (JP); **SUBARU CORPORATION**, Tokyo (JP)

(**) Term: **15 Years**

(21) Appl. No.: **29/795,486**

(22) Filed: **Jun. 18, 2021**

(30) **Foreign Application Priority Data**

Dec. 25, 2020 (JP) 2020-028245 D

(51) **LOC (14) Cl.** **12-16**

(52) **U.S. Cl.**
USPC **D12/169**

(58) **Field of Classification Search**
USPC D12/169, 196, 86, 90-92, 163, 190, 98,
D12/164; 293/102, 113, 115, 117, 120,
293/193.11; 296/180.1, 180.2
CPC B60R 19/02; B60R 19/04; B62D 25/08
See application file for complete search history.

(56) **References Cited**

U.S. PATENT DOCUMENTS

D824,820 S * 8/2018 Nakamura D12/169
D825,410 S * 8/2018 Nakamura D12/169
D829,616 S * 10/2018 Fuchino D12/169
D829,617 S * 10/2018 Takamatsu D12/169
D829,618 S * 10/2018 Kamahara D12/169
D830,250 S * 10/2018 Tomita D12/169
D835,014 S * 12/2018 Ea D12/169
D839,150 S * 1/2019 Roller D12/169
D839,151 S * 1/2019 Cartabiano D12/169

D856,220 S * 8/2019 Koyama D12/169
D856,221 S * 8/2019 Sakaue D12/169
D859,240 S * 9/2019 Sperling D12/169
D859,241 S * 9/2019 Asano D12/169
D870,614 S * 12/2019 Ea D12/169
D874,997 S * 2/2020 Campbell D12/169
D886,692 S * 6/2020 Yokoi D12/169
D906,907 S * 1/2021 Yagi D12/169
D918,104 S * 5/2021 Ito D12/169

(Continued)

FOREIGN PATENT DOCUMENTS

JP D1647999 12/2019
JP D1648004 12/2019

OTHER PUBLICATIONS

NetCarShow.com; https://www.netcarshow.com/subaru/2019-viziv_adrenaline_concept/; Subaru Viziv Adrenaline Concept (2019); Subaru; available on at least Oct. 16, 2020.

(Continued)

Primary Examiner — Melody N Brown
(74) *Attorney, Agent, or Firm* — Finnegan, Henderson, Farabow, Garrett & Dunner, LLP

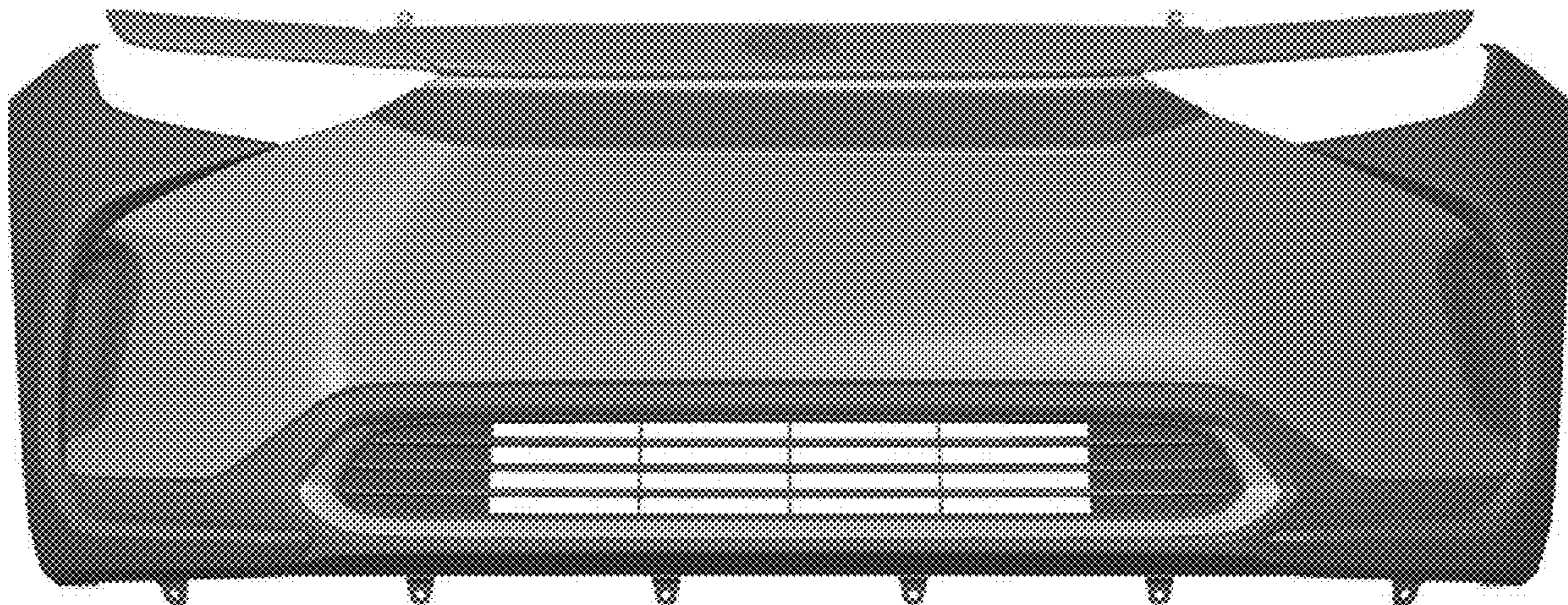
(57) **CLAIM**

The ornamental design for a front bumper for a motor vehicle, as shown and described.

DESCRIPTION

FIG. 1 is a front perspective view for a front bumper for a motor vehicle, showing my new design;
FIG. 2 is a front view thereof;
FIG. 3 is a rear view thereof;
FIG. 4 is a right side view thereof;
FIG. 5 is a left side view thereof;
FIG. 6 is a top view thereof; and,
FIG. 7 is a bottom view thereof.

1 Claim, 7 Drawing Sheets



(56)

References Cited

U.S. PATENT DOCUMENTS

D918,795 S	*	5/2021	Kato	D12/169
D918,799 S	*	5/2021	Fukunaga	D12/169
D918,800 S	*	5/2021	Nagasaka	D12/169
D939,402 S	*	12/2021	Kushima	D12/169
D939,403 S	*	12/2021	Matsumoto	D12/169
D939,404 S	*	12/2021	Takeda	D12/169
D939,405 S	*	12/2021	Kobayashi	D12/169
D955,305 S	*	6/2022	Lee	D12/169

OTHER PUBLICATIONS

NetCarShow.com; https://www.netcarshow.com/ferrari/2020-sf90_stradale/; Ferrari; Ferrari SF90 Stradale (2020); available at least on Oct. 16, 2020.

NetCarShow.com; <https://www.netcarshow.com/honda/2018-accord/>; Honda; HONDA Accord (2018); available at least on Oct. 16, 2020.

* cited by examiner

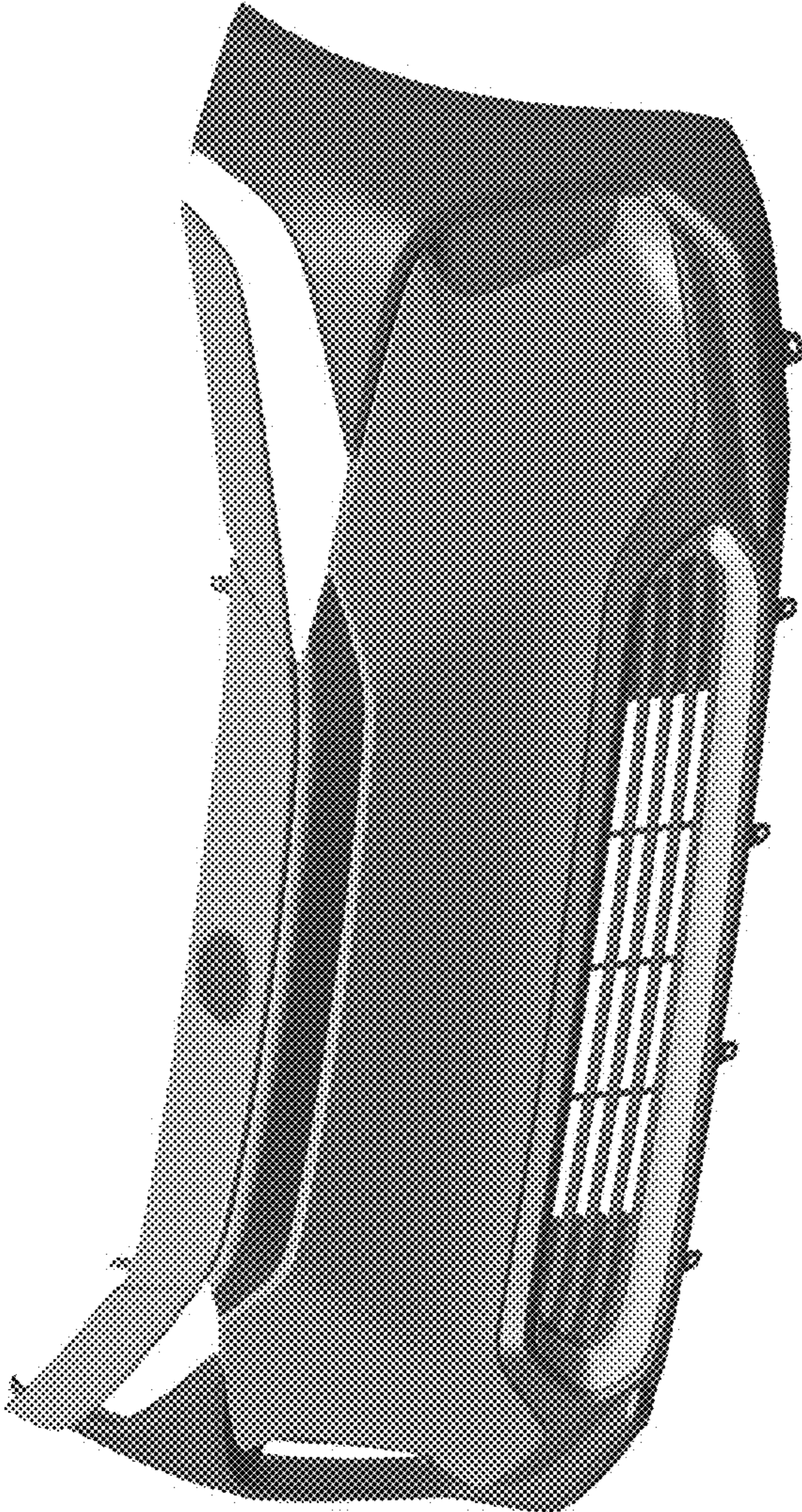


FIG. 1

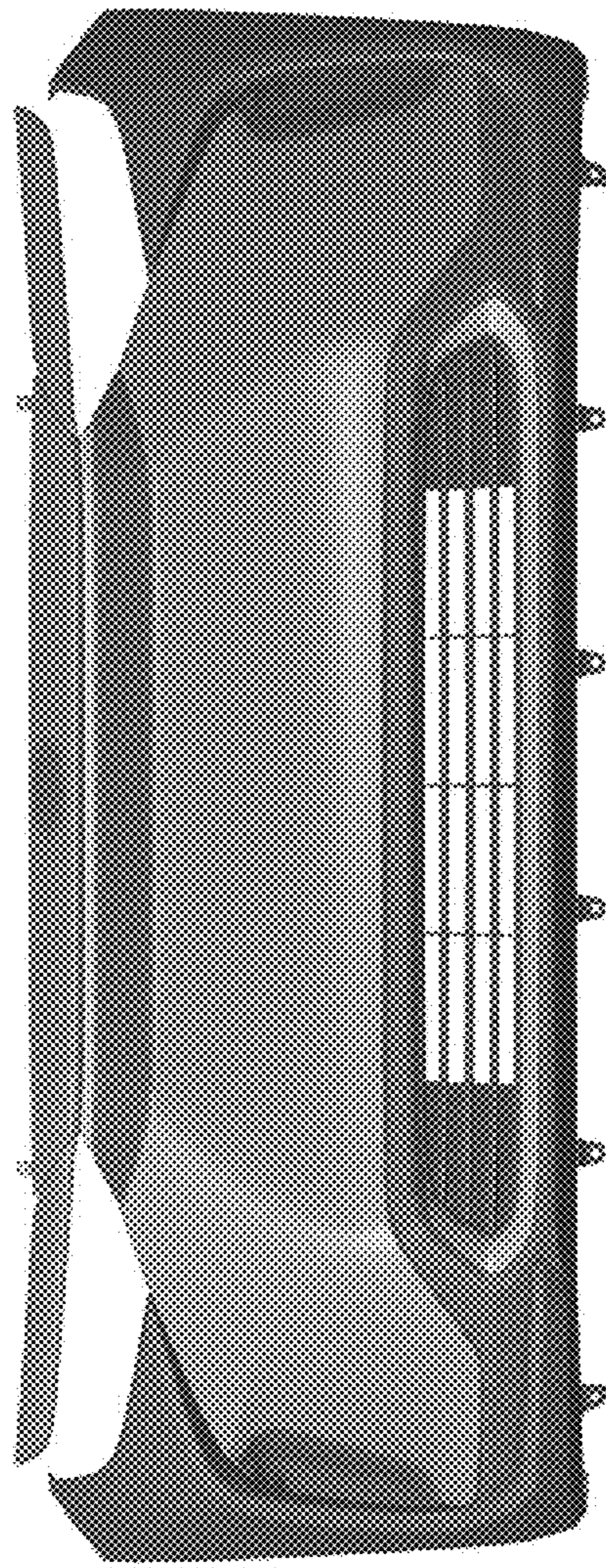


FIG. 2

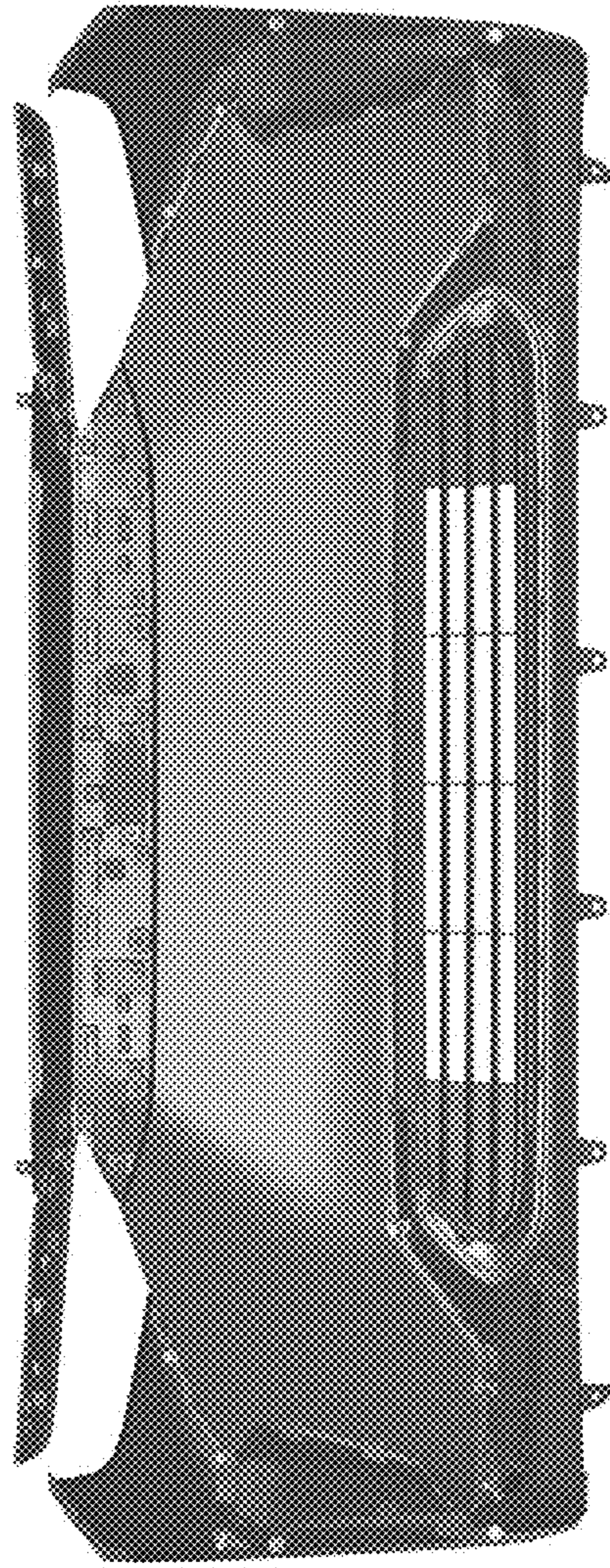


FIG. 3

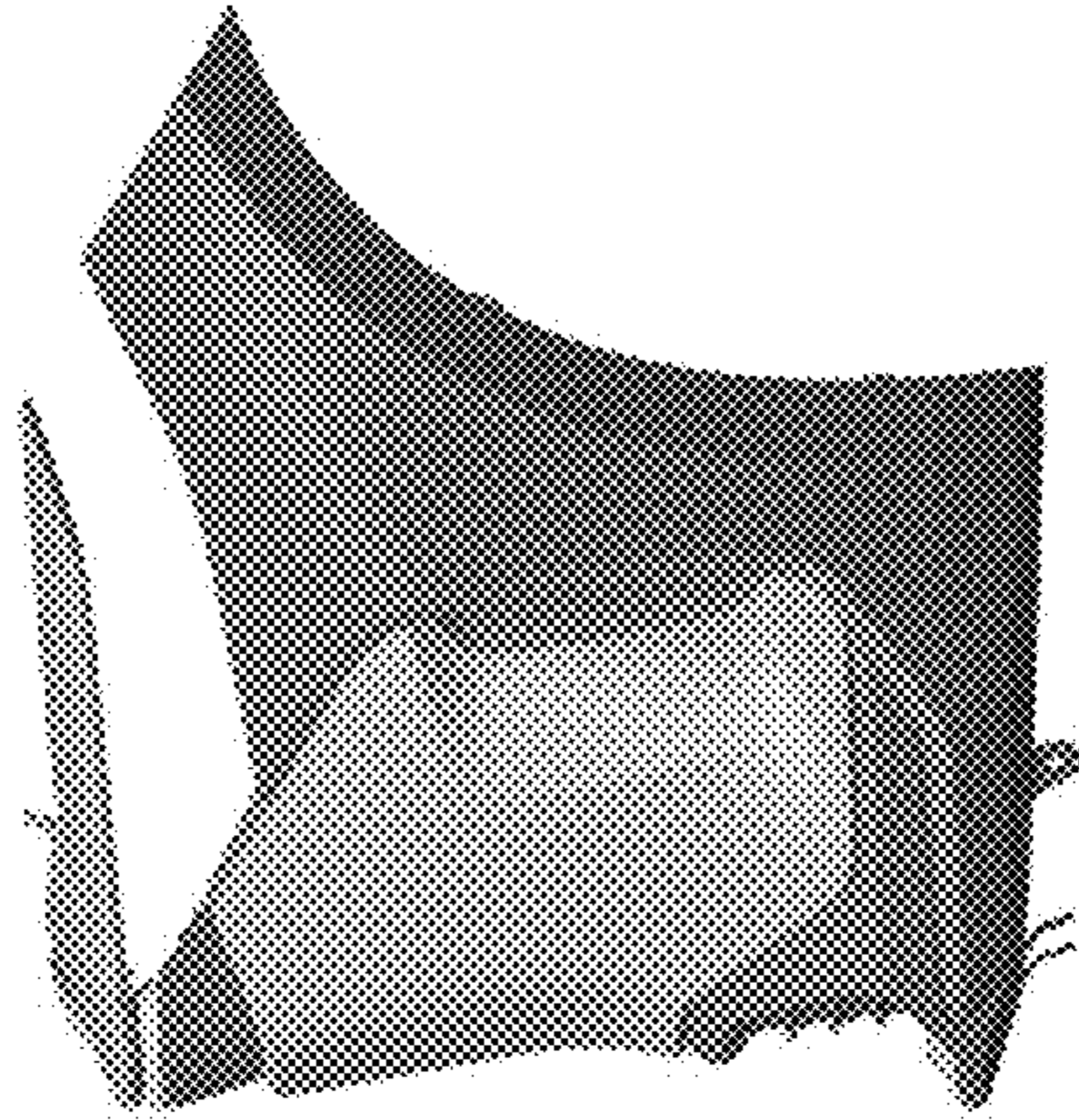


FIG. 4

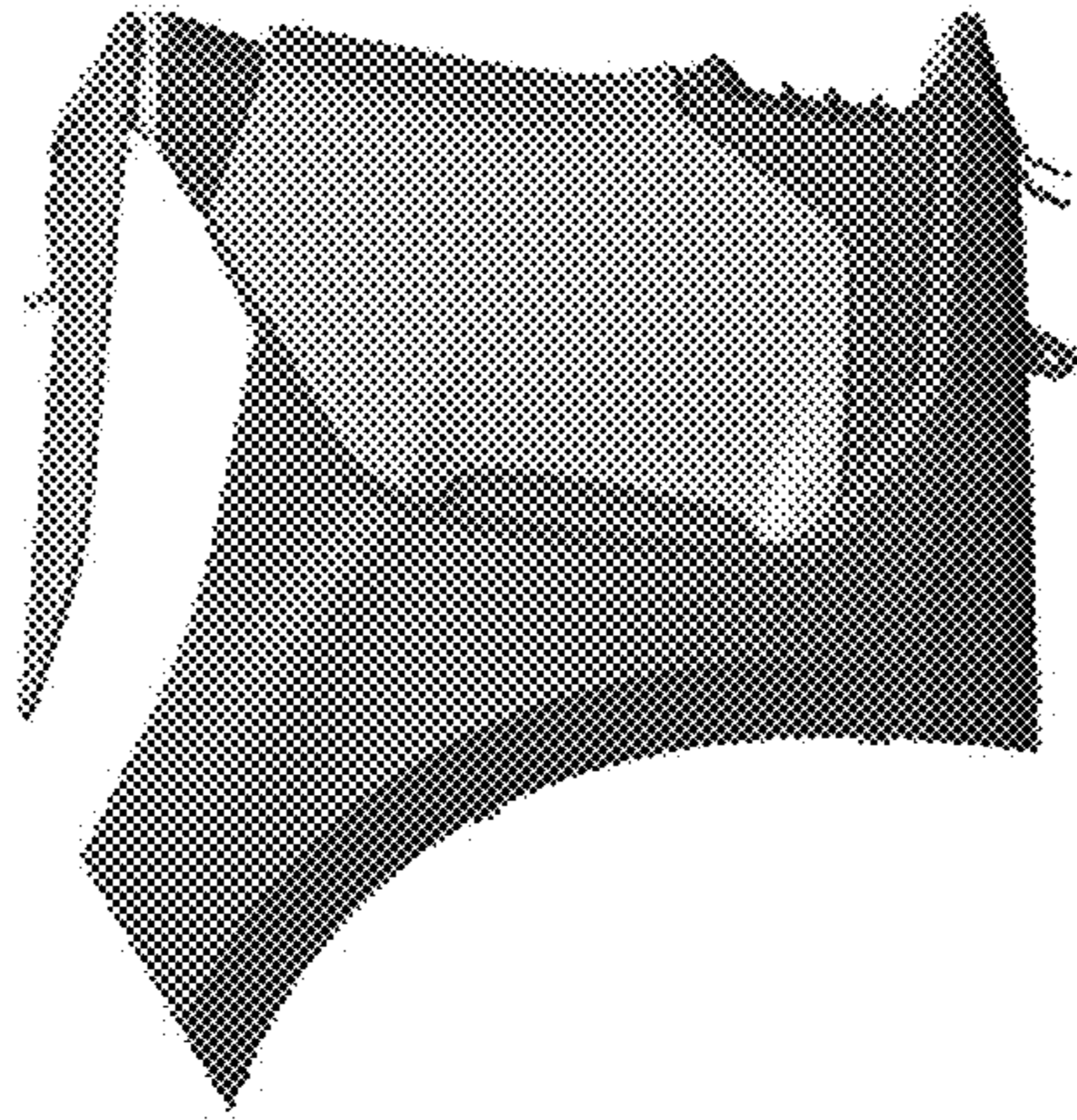


FIG. 5

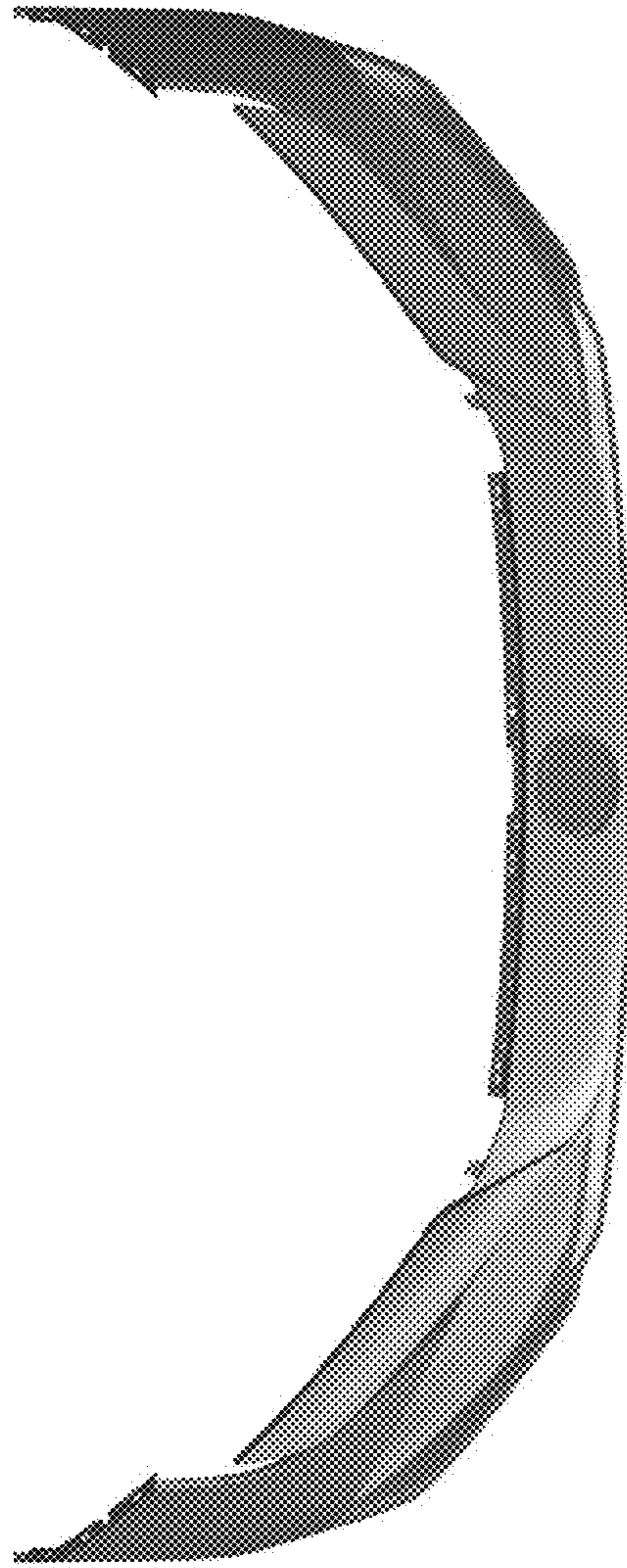


FIG. 6

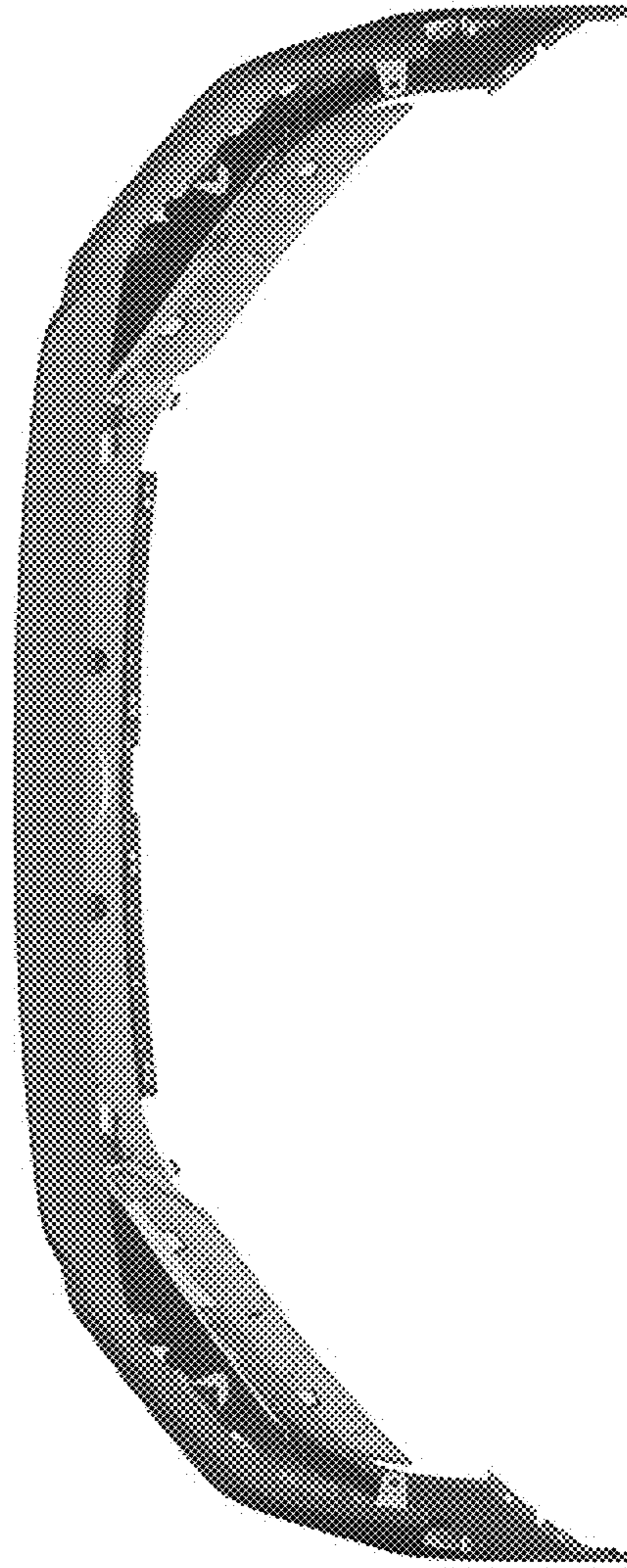


FIG. 7