



US00D983707S

(12) **United States Design Patent** (10) **Patent No.:** **US D983,707 S**
Stone et al. (45) **Date of Patent:** **** Apr. 18, 2023**

- (54) **GRILLE**
- (71) Applicants: **Nicolas R. Stone**, Royal Oak, MI (US);
Irina Zavatski, Rochester Hills, MI (US)
- (72) Inventors: **Nicolas R. Stone**, Royal Oak, MI (US);
Irina Zavatski, Rochester Hills, MI (US)
- (73) Assignee: **FCA US LLC**, Auburn Hills, MI (US)
- (**) Term: **15 Years**
- (21) Appl. No.: **29/820,674**
- (22) Filed: **Dec. 23, 2021**

Related U.S. Application Data

- (63) Continuation-in-part of application No. 29/717,434, filed on Dec. 17, 2019, now Pat. No. Des. 940,004.
- (51) **LOC (14) Cl.** **12-16**
- (52) **U.S. Cl.**
USPC **D12/163**
- (58) **Field of Classification Search**
USPC D12/163, 196, 86, 90-92, 169, 190, 98,
D12/164; 293/193.11; 180/68.1, 68.6
CPC B62B 9/16; B60K 11/08; B62D 25/08;
B60R 19/52
See application file for complete search history.

(56) **References Cited**

U.S. PATENT DOCUMENTS

- D860,863 S * 9/2019 Jonason D12/91
- D863,139 S * 10/2019 Hoste D12/163
- D877,667 S * 3/2020 Doveri D12/163
- D935,938 S * 11/2021 Langhals D12/91

- D936,518 S * 11/2021 Langhals D12/91
- D940,004 S * 1/2022 Stone D12/91
- D940,019 S * 1/2022 Kubo D12/169
- D940,591 S * 1/2022 Stone D12/91
- D953,930 S * 6/2022 Malachowski D12/91
- D953,931 S * 6/2022 Sellaro-Neto D12/91
- D953,932 S * 6/2022 Sellaro-Neto D12/91
- D954,601 S * 6/2022 Malachowski D12/91
- D954,602 S * 6/2022 Malachowski D12/91
- D957,995 S * 7/2022 Langhals D12/91
- D957,996 S * 7/2022 Langhals D12/91
- D961,465 S * 8/2022 Langhals D12/163

* cited by examiner

Primary Examiner — Melody N Brown

(74) *Attorney, Agent, or Firm* — Ralph E. Smith

(57) **CLAIM**

The ornamental design for a grille, as shown and described.

DESCRIPTION

The patent or application file contains at least one drawing executed in color. Copies of this patent or patent application publication with color drawing(s) will be provided by the Office upon request and payment of the necessary fee.

FIG. 1 is a front perspective view of a grille showing our new design;

FIG. 2 is a front view thereof;

FIG. 3 is a rear view thereof;

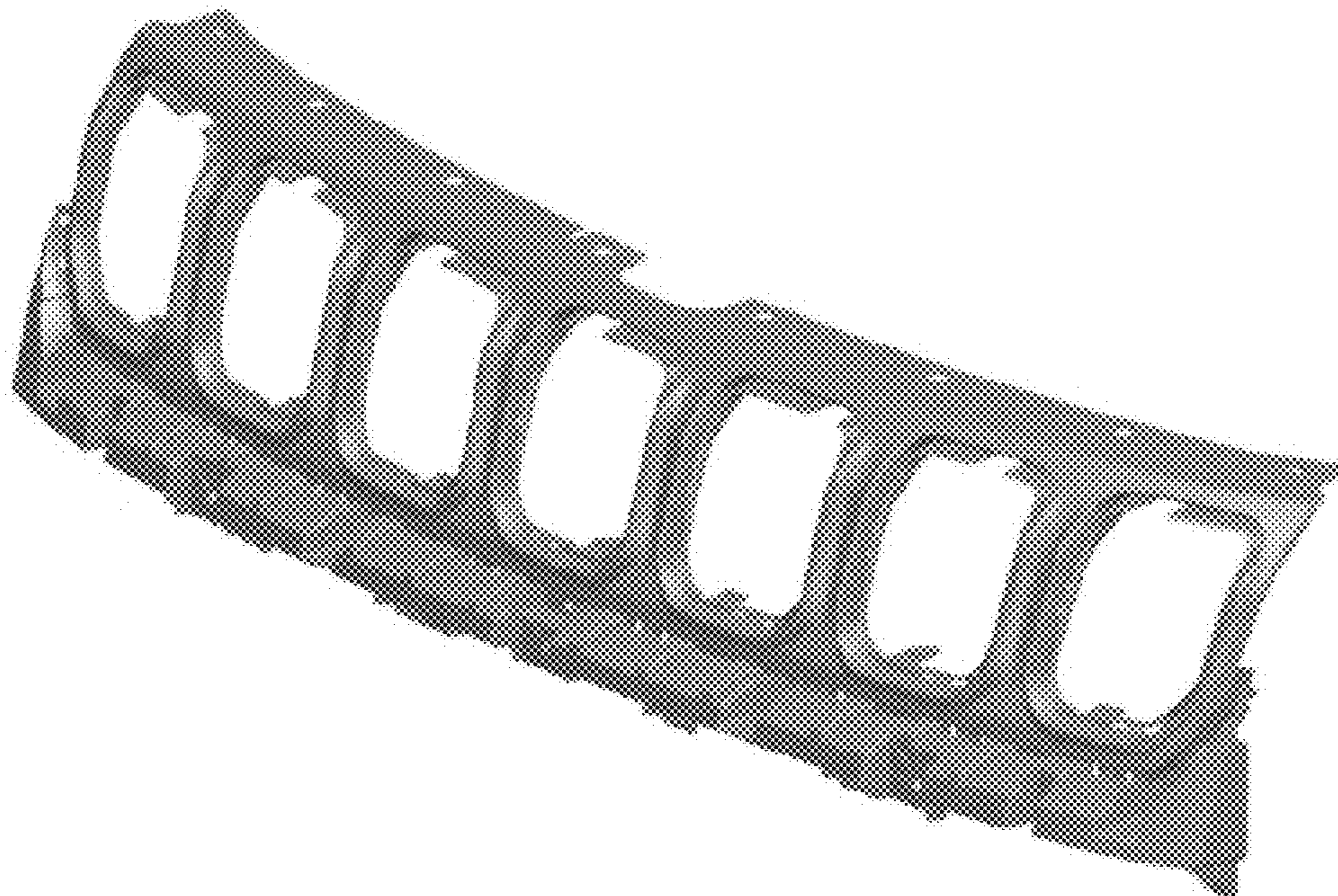
FIG. 4 is a side view thereof;

FIG. 5 is top view thereof; and,

FIG. 6 is a bottom view thereof.

It will be understood that the broken lines shown in the drawings illustrate portions of the grille that form no part of the claimed design.

1 Claim, 6 Drawing Sheets
(6 of 6 Drawing Sheet(s) Filed in Color)



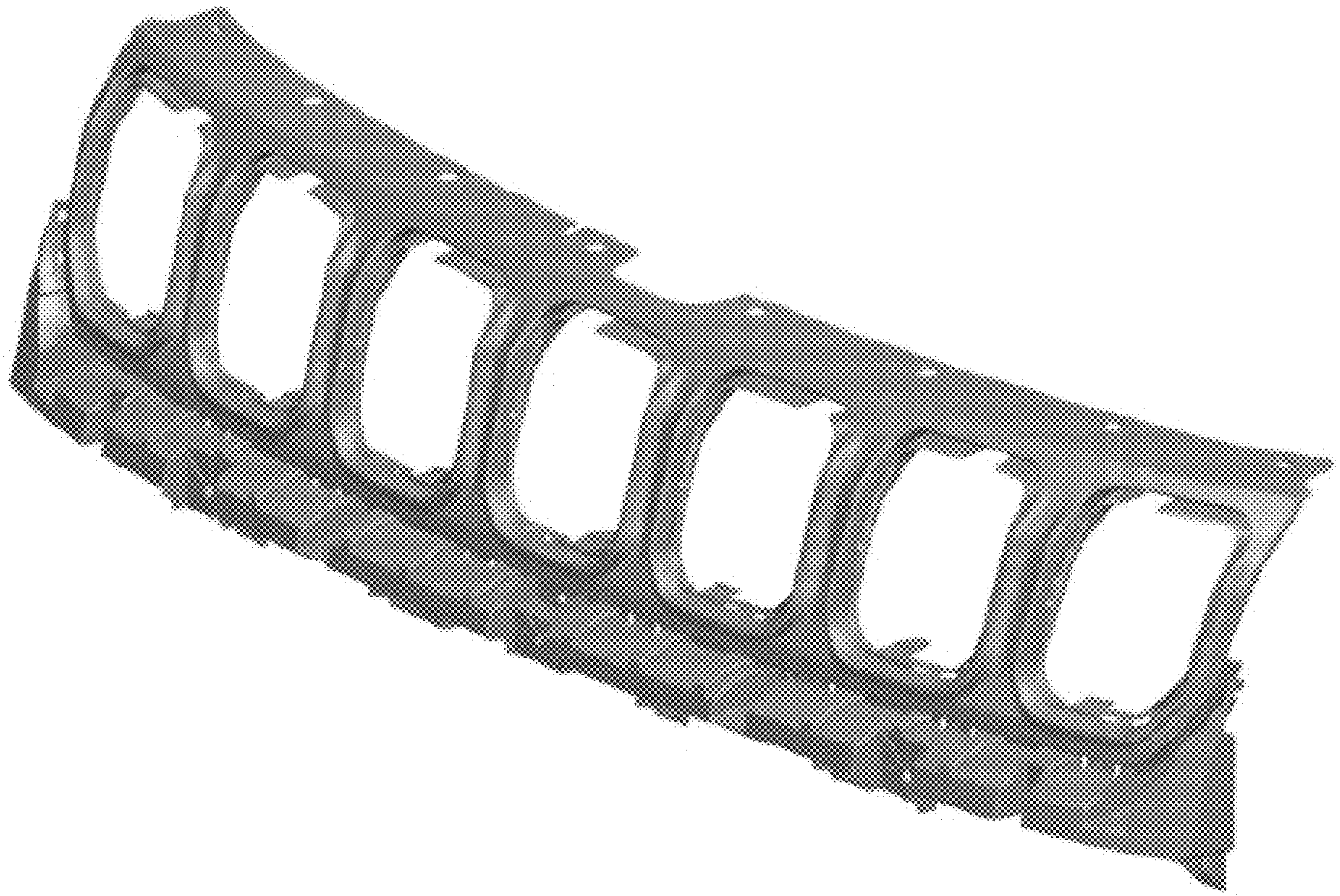


FIGURE 1

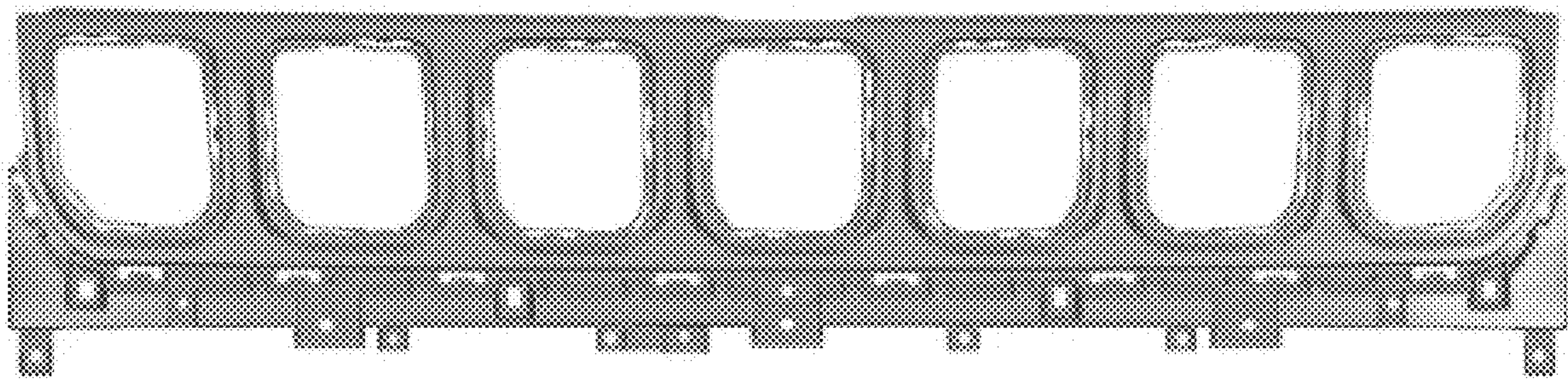


FIGURE 2

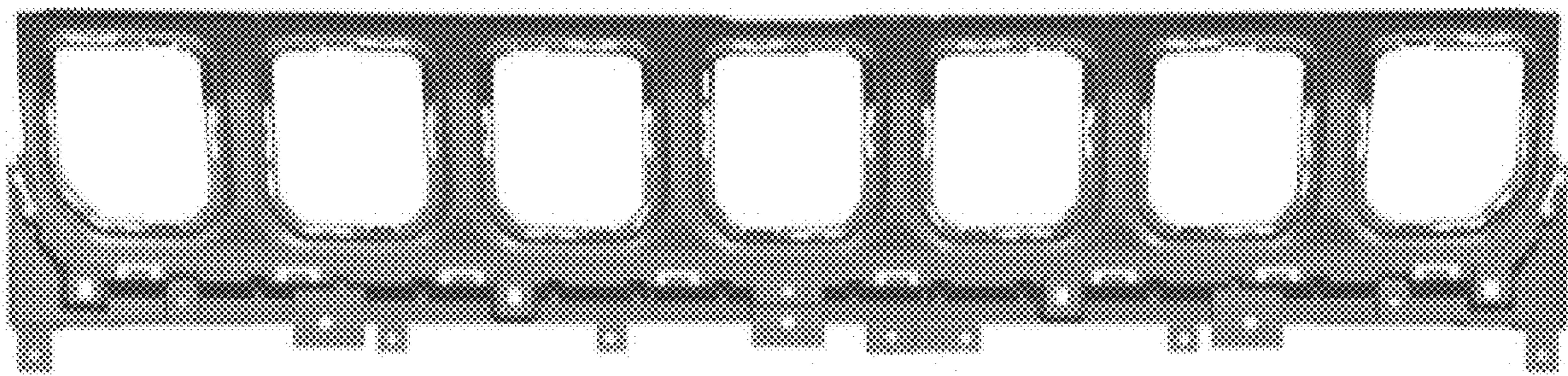


FIGURE 3

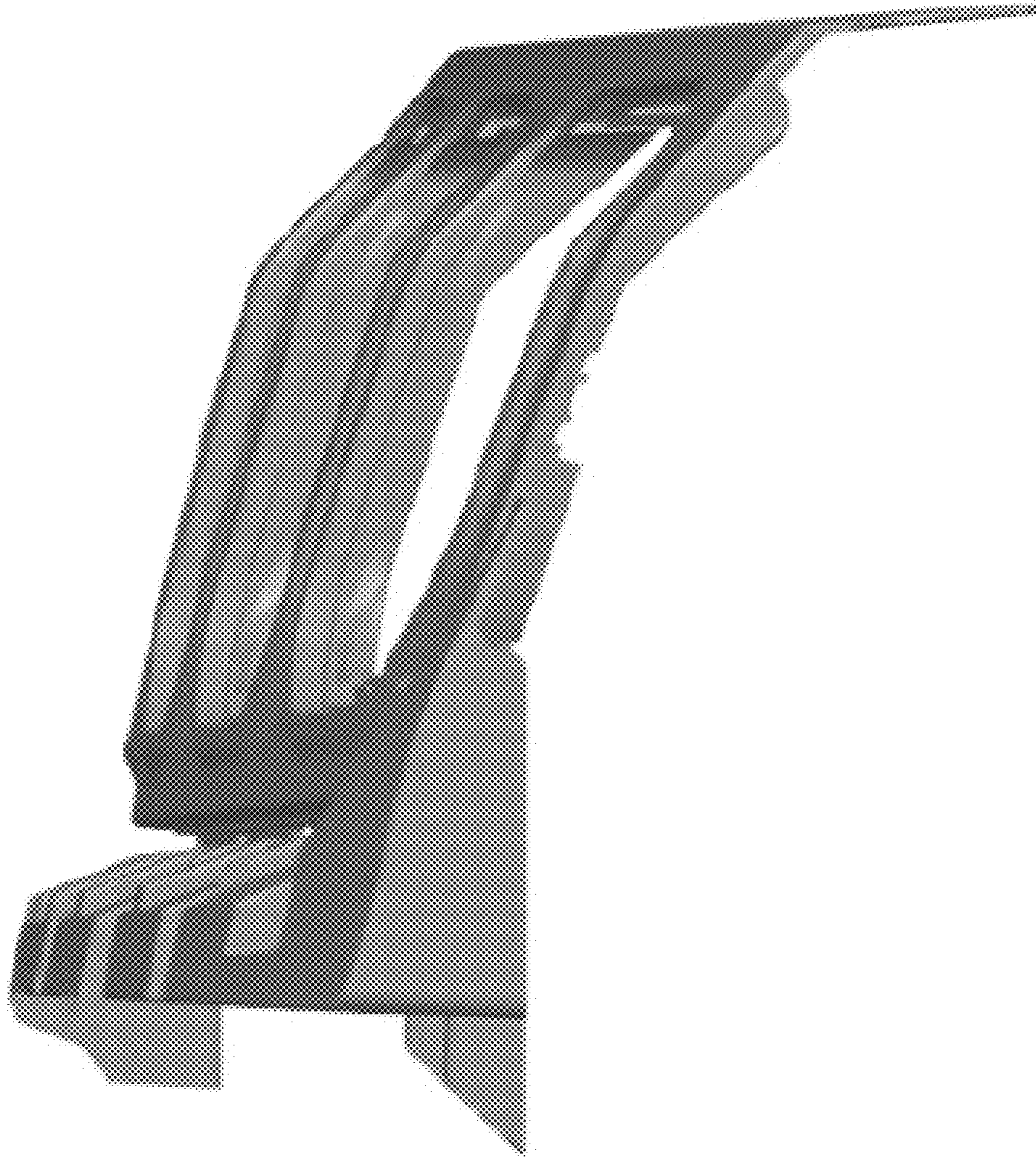


FIGURE 4

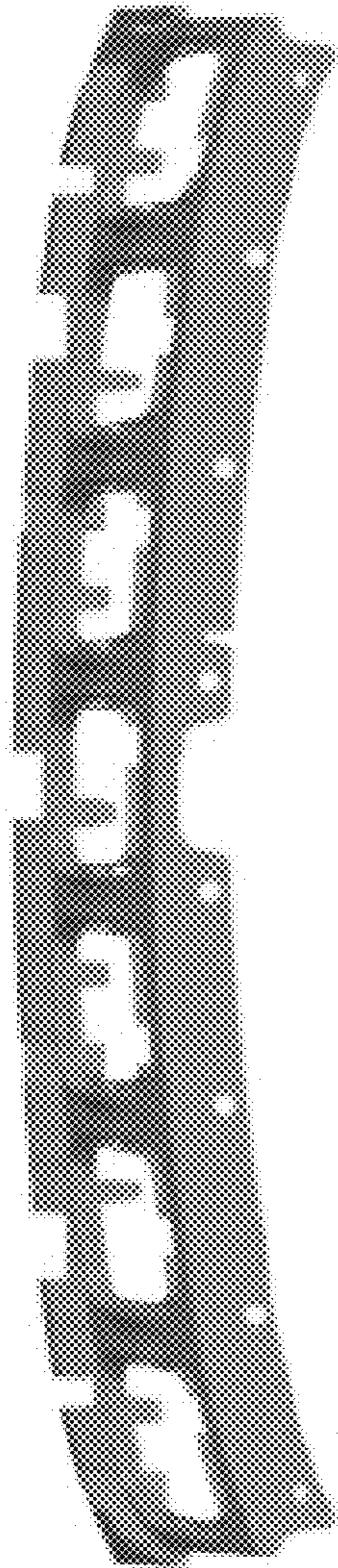


FIGURE 5

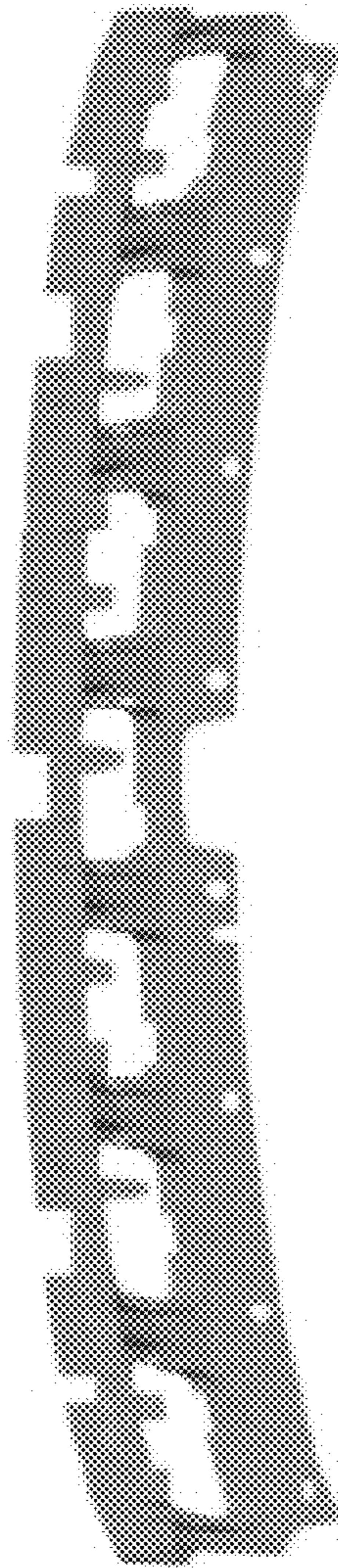


FIGURE 6