



US00D983705S

(12) **United States Design Patent** (10) **Patent No.:** **US D983,705 S**
Esteves (45) **Date of Patent:** **** Apr. 18, 2023**

(54) **TRAILER YOKE** 3,520,727 A 7/1970 Crump
3,796,443 A 3/1974 Crutchfield
(71) Applicant: **Christopher Esteves**, Oakdale, CA 3,810,661 A 5/1974 Lowrance
(US) (Continued)

(72) Inventor: **Christopher Esteves**, Oakdale, CA
(US)

FOREIGN PATENT DOCUMENTS

SE 520819 C2 9/2003

(**) Term: **15 Years**

OTHER PUBLICATIONS

(21) Appl. No.: **29/884,436**

Wittek Golf on-line product listing for Eagle Lite Back Post Assembly retrieved Nov. 1, 2022 from "https://www.wittek golf.com/Eagle-Lite-Back-Post-Assembly".

(22) Filed: **Feb. 10, 2023**

(Continued)

Related U.S. Application Data

(63) Continuation of application No. 29/855,649, filed on Oct. 5, 2022.

Primary Examiner — Katrina A Betton

(51) **LOC (14) Cl.** **12-16**

(74) *Attorney, Agent, or Firm* — Sierra IP Law, PC; William K. Nelson

(52) **U.S. Cl.**

(57) **CLAIM**

USPC **D12/162**

I claim the ornamental design for a trailer yoke, as shown and described.

(58) **Field of Classification Search**

DESCRIPTION

USPC D12/162, 159, 160, 161, 400, 317; D21/777, 810

FIG. 1 is a perspective view of a trailer yoke showing my new design;

CPC . B60D 1/60; B60D 1/065; B60D 1/00; B60D 1/06; B60D 1/36; B62D 33/033

FIG. 2 is a first side elevation view of the trailer yoke of FIG. 1;

See application file for complete search history.

FIG. 3 is a second side elevation view of the trailer yoke of FIG. 1;

(56) **References Cited**

U.S. PATENT DOCUMENTS

D29,290 S 8/1898 Rice
D142,881 S 11/1945 Martin
D142,882 S 11/1945 Martin
D142,883 S 11/1945 Martin
D142,884 S 11/1945 Martin
2,605,005 A 7/1952 Wenzel
2,628,106 A 2/1953 Sturwold
2,656,061 A 10/1953 Lockie
2,658,637 A 11/1953 Bailey
3,175,714 A 3/1965 Wittek
3,362,551 A 1/1968 Shoemaker

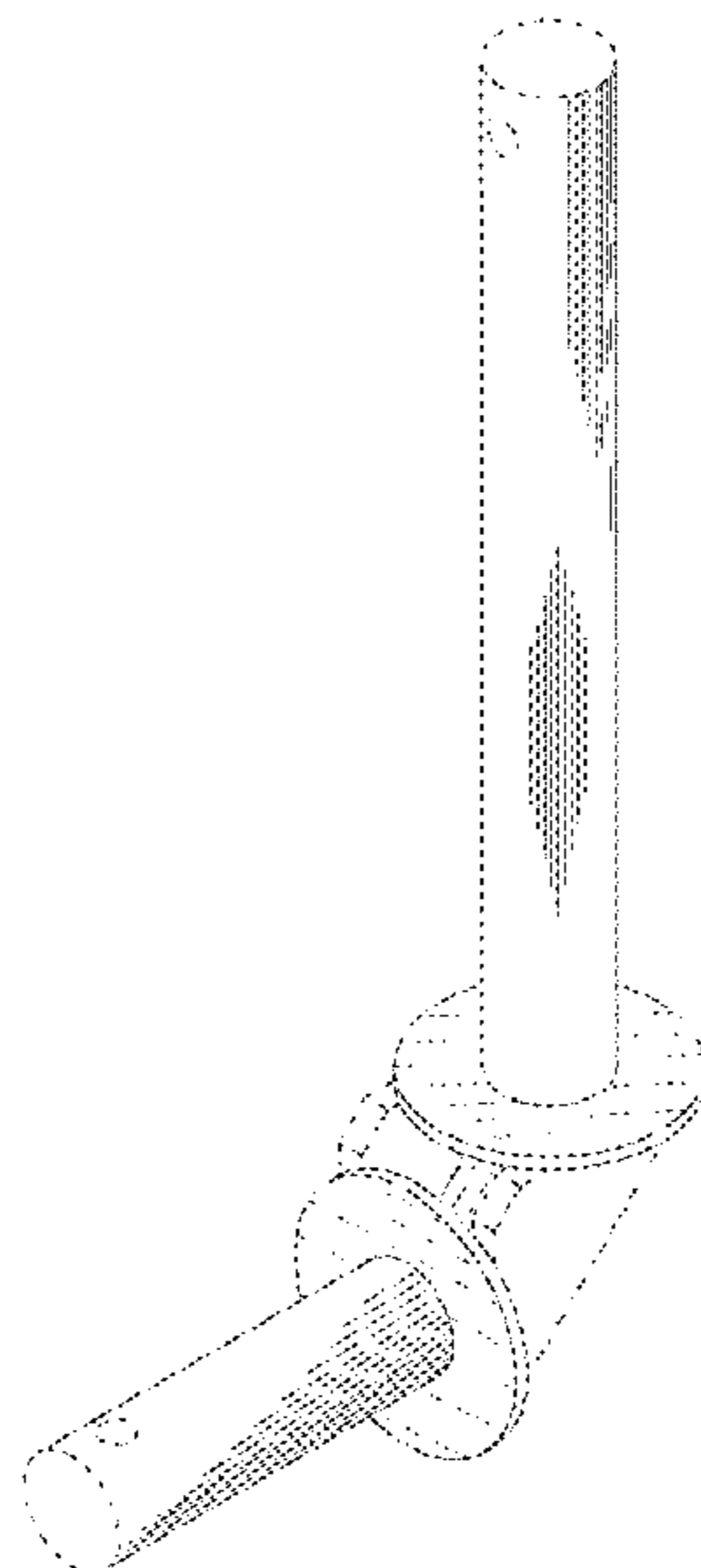
FIG. 4 is an elevation anterior view of the trailer yoke of FIG. 1;

FIG. 5 is an elevation posterior view of the trailer yoke of FIG. 1;

FIG. 6 is a top plan view of the trailer yoke of FIG. 1; and, FIG. 7 is a bottom plan view of the trailer yoke of FIG. 1.

The broken lines shown in FIGS. 1-7 are for the purpose of illustrating portions of the trailer yoke that form no part of the claimed design.

1 Claim, 7 Drawing Sheets



(56)

References Cited

U.S. PATENT DOCUMENTS

3,815,936 A 6/1974 Oaks
 3,825,136 A 7/1974 Rettedal
 3,856,165 A 12/1974 Gustafson
 3,889,978 A 6/1975 Kann
 3,995,759 A 12/1976 Hollrock et al.
 4,158,418 A 6/1979 Hayashi
 4,664,402 A 5/1987 Kober et al.
 4,792,271 A 12/1988 Akel
 5,087,165 A 2/1992 Akel
 5,135,345 A 8/1992 Kanzanjian
 5,141,383 A 8/1992 Phillips et al.
 5,149,245 A 9/1992 Landmann
 5,324,061 A 6/1994 Lay
 5,375,867 A 12/1994 Kass
 5,527,075 A 6/1996 Lee et al.
 D401,477 S 11/1998 Martindale
 D407,260 S 3/1999 Martindale
 5,882,169 A 3/1999 Tucek
 5,980,392 A 11/1999 Cox
 6,082,955 A 7/2000 Tucek
 6,109,640 A 8/2000 Allen
 6,142,544 A 11/2000 Benzoni et al.
 6,398,662 B1 6/2002 Cox
 6,443,684 B2 9/2002 Tucek
 6,474,673 B1 11/2002 Biggins
 6,481,768 B1 11/2002 Fu
 6,629,700 B1 10/2003 Baptiste
 7,029,019 B1 4/2006 Dye
 7,425,016 B2 9/2008 Bowsher
 7,455,493 B2 11/2008 Schoppe et al.
 7,462,010 B1 12/2008 Wittek et al.
 7,735,848 B2 6/2010 Konsela
 7,926,832 B1 4/2011 Hall
 8,833,789 B2 9/2014 Anderson
 8,979,112 B2 3/2015 Weipert
 D736,913 S 8/2015 Kusunoki et al.
 9,199,520 B2 12/2015 Weipert
 9,290,071 B2 3/2016 McCoy et al.
 9,579,940 B2 2/2017 Mauerman
 9,676,239 B1 6/2017 Lusty
 D932,385 S * 10/2021 Sablatura B60R 9/06
 D12/162
 D934,741 S * 11/2021 Mueller D12/162
 D934,742 S * 11/2021 McCall D12/162
 D941,713 S * 1/2022 Siegel D12/162
 D942,334 S * 2/2022 Wang D12/162

D943,468 S * 2/2022 Wang D12/162
 D949,064 S * 4/2022 Kyeong D12/162
 D950,427 S * 5/2022 Maybank E05B 73/00
 D12/162
 D963,525 S * 9/2022 Smith D12/162
 D964,222 S * 9/2022 Zhou D12/162
 D967,741 S * 10/2022 Wyers D12/162
 D971,090 S * 11/2022 Campanella D12/162
 11,491,832 B2 11/2022 Reed et al.
 D977,376 S * 2/2023 Clawson D12/162
 2006/0018740 A1 1/2006 Blythe
 2006/0125256 A1 6/2006 Hiland et al.
 2009/0008905 A1 1/2009 Bryce
 2011/0181016 A1 7/2011 Schuettenberg
 2015/0190683 A1 7/2015 Morgan
 2020/0114990 A1 4/2020 Blaschke
 2022/0041024 A1 2/2022 Whipple

OTHER PUBLICATIONS

Thrasher Golf 2016 Product Catalog retrieved Jul. 12, 2017 from www.ThrasherGolf.com.
 P2 Golf Products Catalog retrieved Nov. 4, 2022 from "https://p2golfproducts.com".
 Range Servant on-line product listing for Standard Duty 2 Gang Golf Ball Picker retrieved Nov. 4, 2022 from "https://rangeservant.us/product/standard-duty-2-gang".
 Range Servant on-line product listing for Standard Duty 3 Gang Golf Ball Picker retrieved Nov. 4, 2022 from "https://rangeservant.us/product/standard-duty-3-gang".
 Range Servant on-line product listing for Standard Duty 4 Gang Golf Ball Picker retrieved Nov. 4, 2022 from "https://rangeservant.us/product/standard-duty-4-gang".
 Range Servant on-line product listing for Standard Duty 5 Gang Golf Ball Picker retrieved Nov. 4, 2022 from "https://rangeservant.us/product/standard-duty-5-gang".
 Range Servant on-line product listing for Heavy Duty 3 Gang Golf Ball Picker retrieved Nov. 4, 2022 from "https://rangeservant.us/product/heavy-duty-3-gang".
 Range Servant on-line product listing for Heavy Duty 5 Gang Golf Ball Picker retrieved Nov. 4, 2022 from "https://rangeservant.us/product/heavy-duty-5-gang".
 English Abstract of SE520819C2 Collecting device for spherical objects, eg. golf balls, retrieved on Feb. 8, 2023 from https://worldwide.espacenet.com/patent/search/family/020405501/publication/SE520819C2?q=pn%3DSE520819C2.

* cited by examiner

FIG. 1

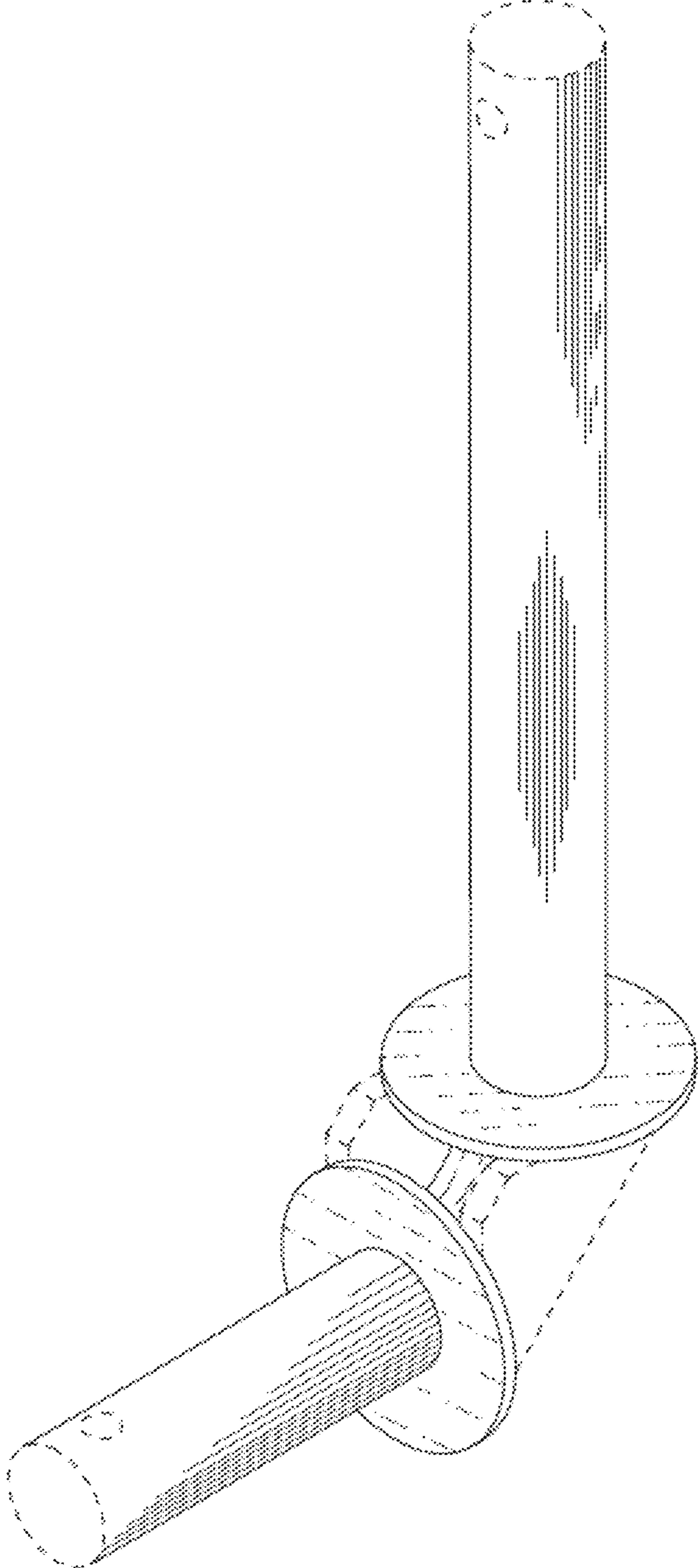


FIG. 2

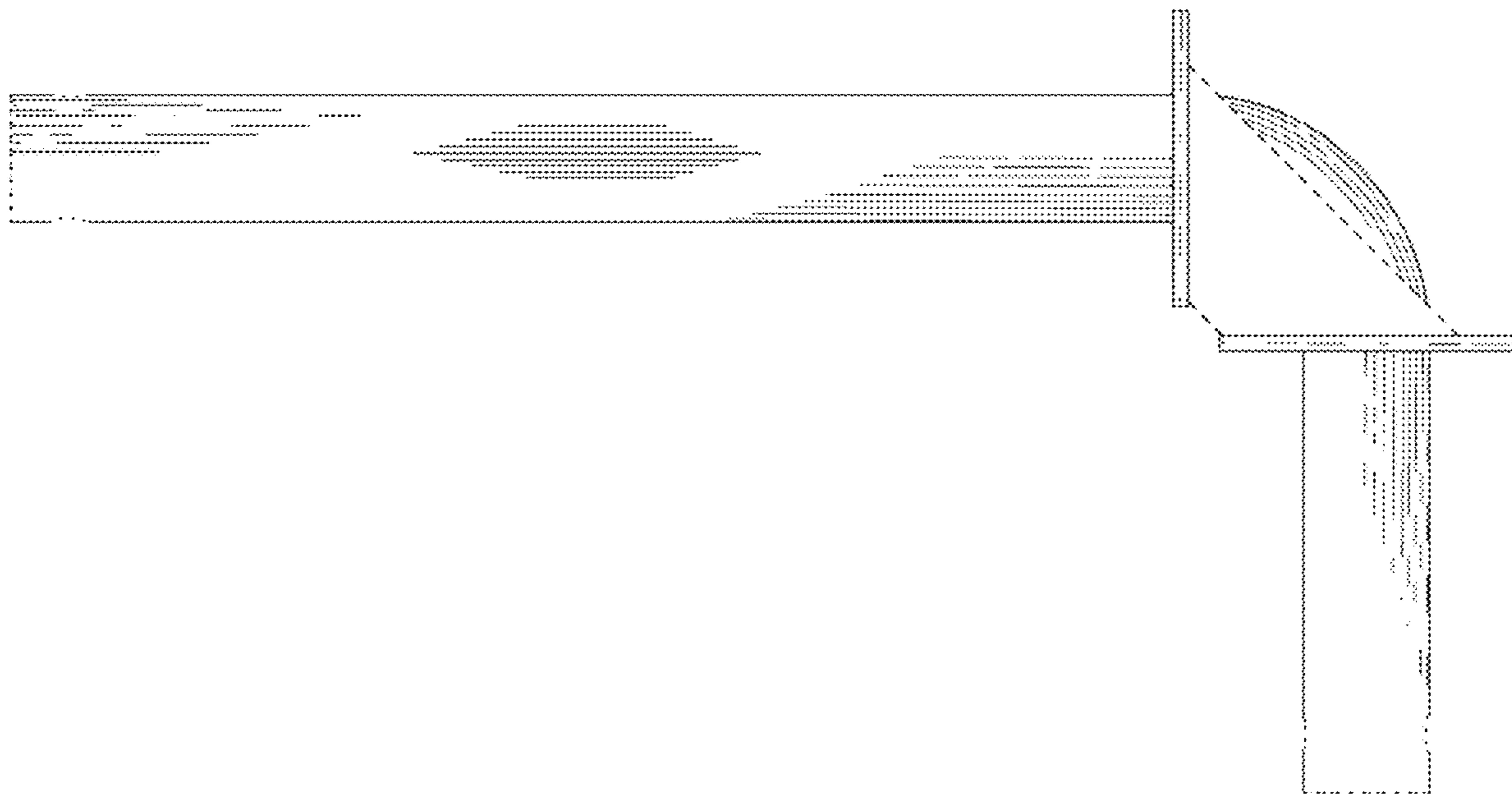


FIG. 3

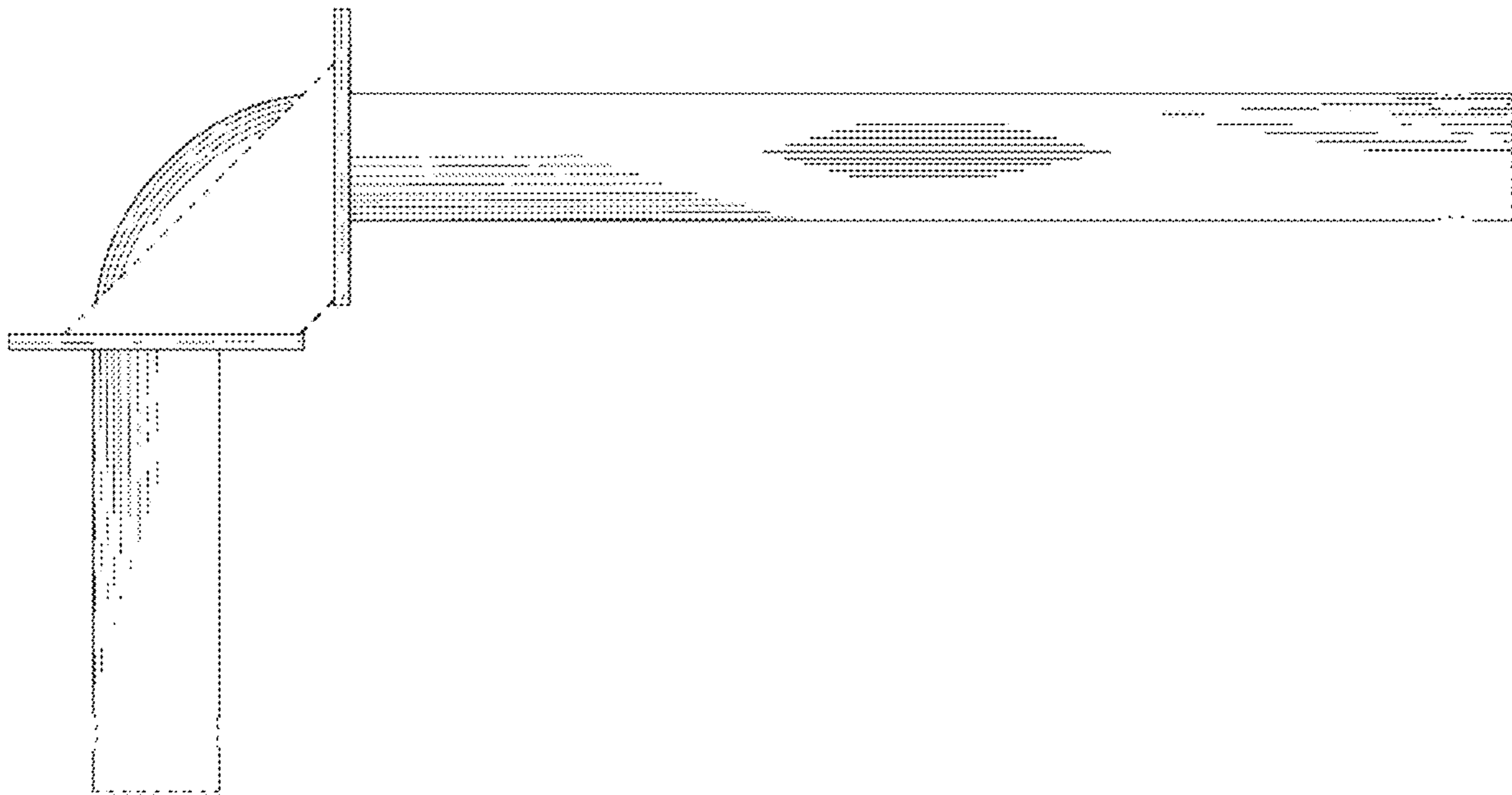


FIG. 4

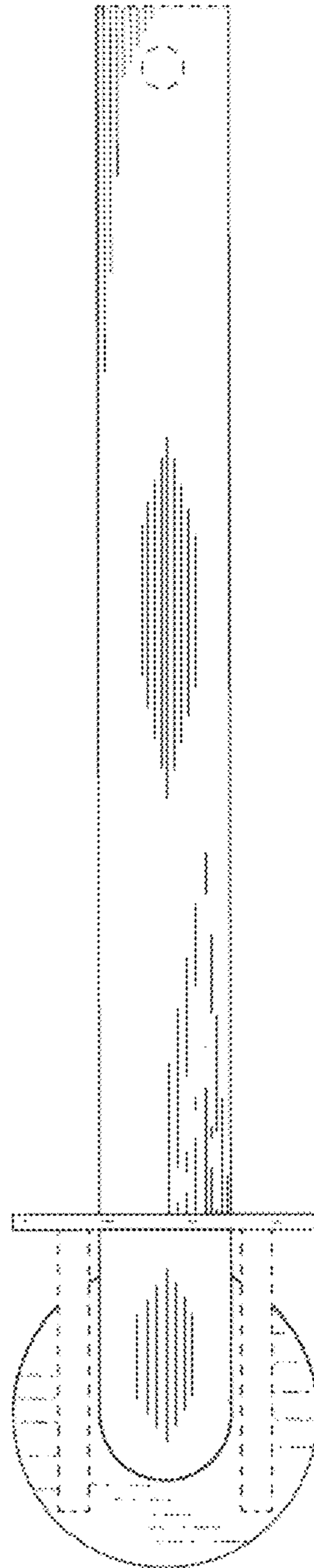


FIG. 5

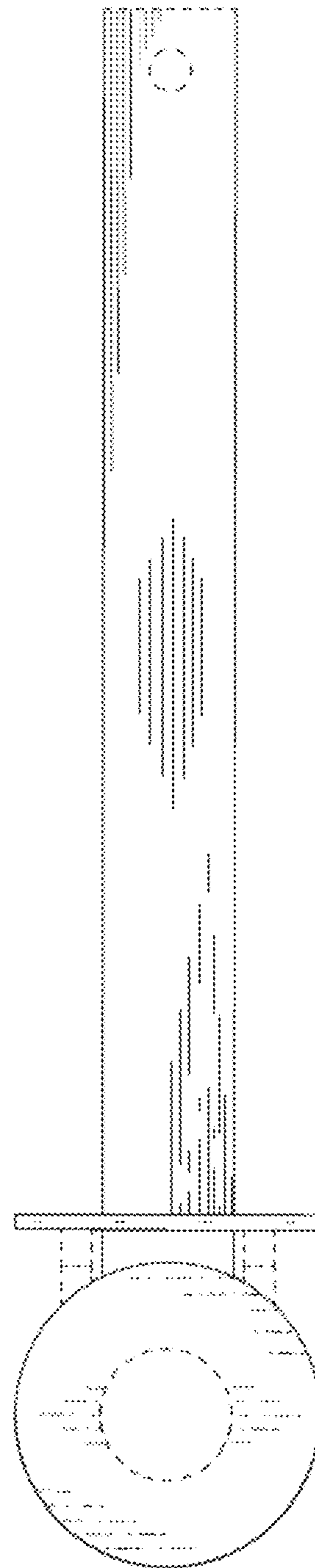


FIG. 6

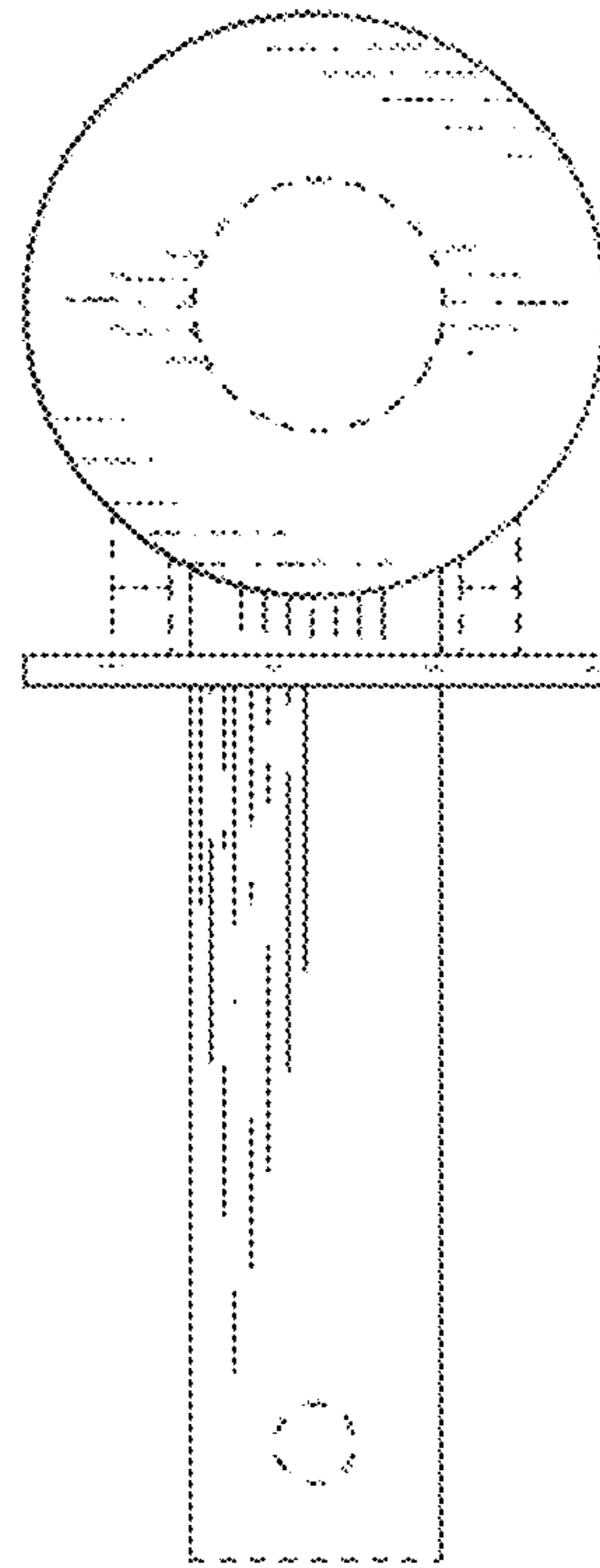


FIG. 7

