



US00D983700S

(12) **United States Design Patent**
Sabin et al.

(10) **Patent No.:** **US D983,700 S**
(45) **Date of Patent:** **** Apr. 18, 2023**

- (54) **PLANTER**
- (71) Applicant: **Planet Biotechure Limited**, Chichester (GB)
- (72) Inventors: **Richard Sabin**, Chichester (GB); **Mark Fleming**, Portsmouth (GB)
- (73) Assignee: **Planet Biotechure Limited**, Chichester (GB)
- (**) Term: **15 Years**
- (21) Appl. No.: **35/512,599**
- (22) Filed: **Sep. 1, 2021**

D648,652 S *	11/2011	Hawkins	D11/155
D650,719 S *	12/2011	Gretz	D11/155
D671,860 S *	12/2012	Palmer	D11/151
D675,127 S *	1/2013	DiMaggio	D11/143
D706,671 S *	6/2014	Thuma	D11/152
D729,688 S *	5/2015	Halmos	D11/156
D730,236 S *	5/2015	Halmos	D11/156
D734,207 S *	7/2015	Blouin	D11/155
D737,721 S *	9/2015	Janse	D11/156
D740,716 S *	10/2015	Fenn	D11/156
D800,600 S *	10/2017	Fenn	D11/156
D823,158 S *	7/2018	Ryan	D11/155
D830,892 S *	10/2018	Itzhak-Sigron	D11/155
D931,138 S *	9/2021	Barness	D11/156
D938,302 S *	12/2021	Keeble	D11/155
D949,049 S *	4/2022	Lin	D11/155
D951,135 S *	5/2022	Lin	D11/155
D958,692 S *	7/2022	Lin	D11/144

- (80) **Hague Agreement Data**
- Int. Filing Date: **Sep. 1, 2021**
- Int. Reg. No.: **DM/216204**
- Int. Reg. Date: **Sep. 1, 2021**
- Int. Reg. Pub. Date: **Sep. 24, 2021**

* cited by examiner

Primary Examiner — Richard E Chilcot
(74) *Attorney, Agent, or Firm* — Christopher M. Ramsey; GrayRobinson, P.A.

(30) **Foreign Application Priority Data**

Mar. 1, 2021 (GB) 6122083

- (51) **LOC (14) Cl.** **11-02**
- (52) **U.S. Cl.**
- USPC **D11/156**
- CPC **A01G 27/02** (2013.01)

- (58) **Field of Classification Search**
- USPC D6/403-405, 675, 683; D7/586, 587; D9/424, 432; D11/143-156, 164
- CPC A01G 27/02; A01G 27/008; A01G 27/06; A01G 9/023; A01G 9/027
- See application file for complete search history.

(56) **References Cited**

U.S. PATENT DOCUMENTS

- D462,033 S * 8/2002 Reichert D11/155
- D502,425 S * 3/2005 Barry D11/155

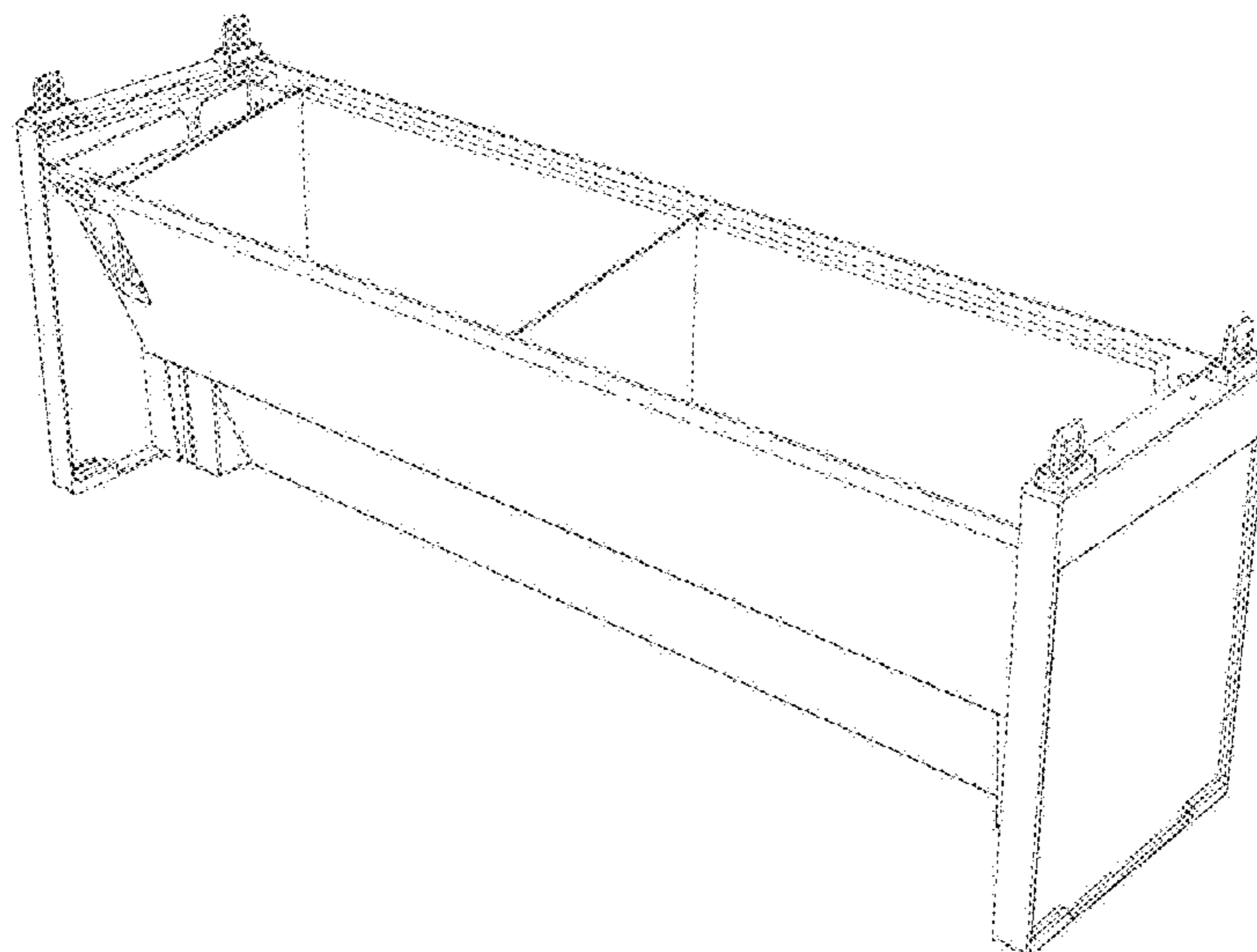
(57) **CLAIM**

The ornamental design for planter, as shown and described.

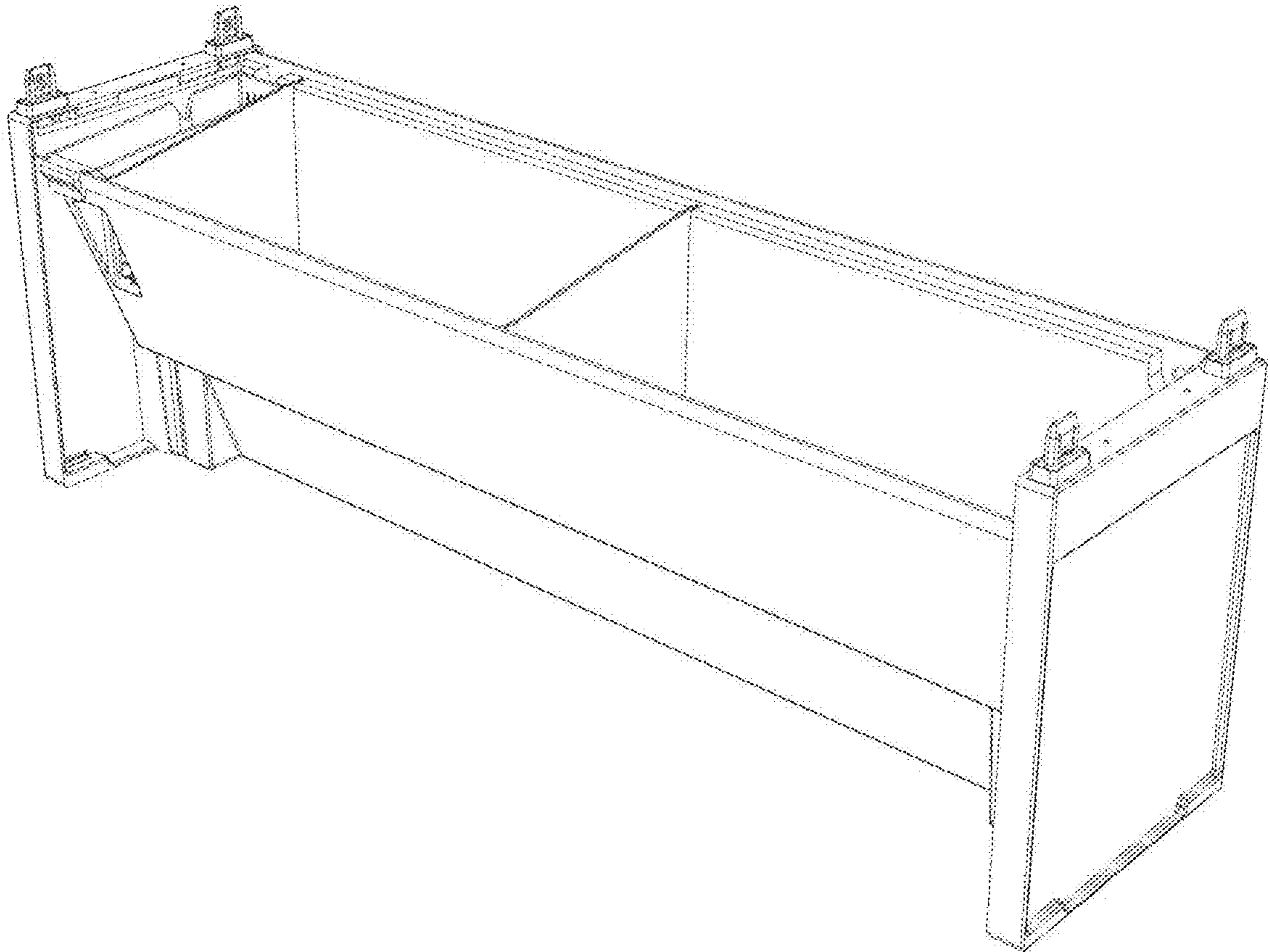
DESCRIPTION

FIG. 1.1 is a front perspective view of a planter.
 FIG. 1.2 is a rear view thereof.
 FIG. 1.3 is a bottom view thereof
 FIG. 1.4 is front view thereof.
 FIG. 1.5 is a top perspective view thereof.
 FIG. 1.6 is a side view thereof.
 FIG. 1.7 is a top view thereof.
 A plant box for outdoor and indoor use.

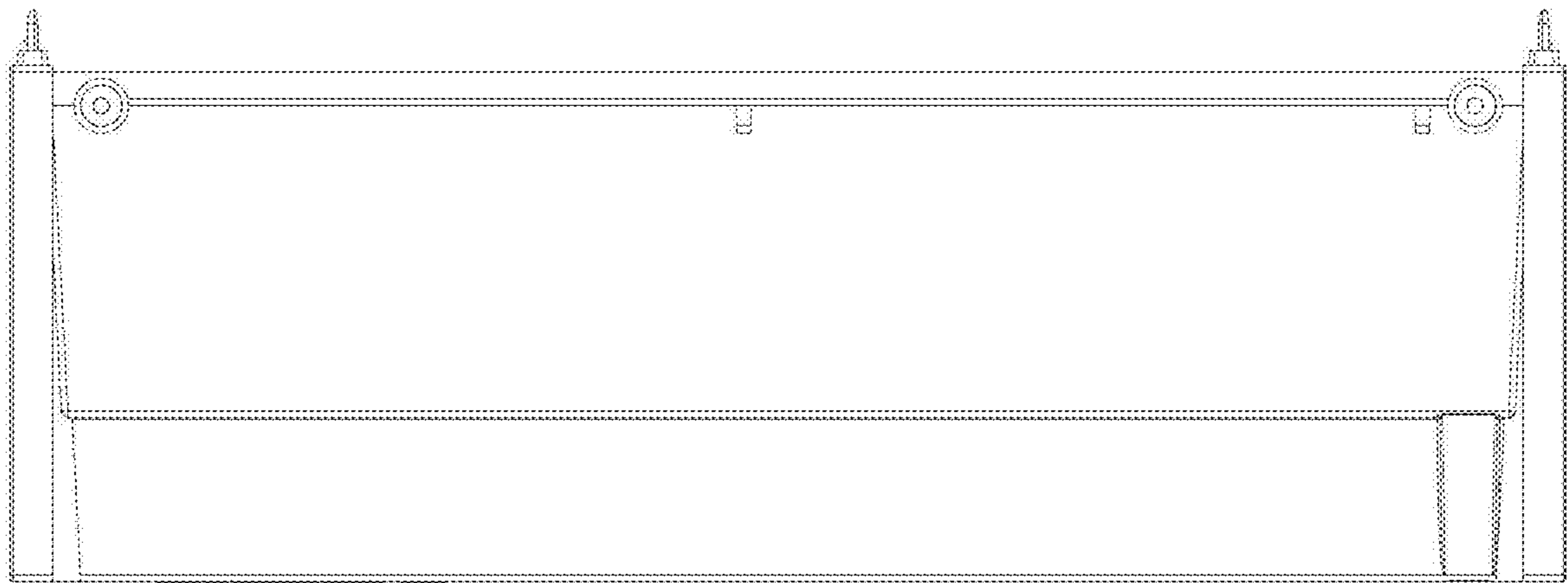
1 Claim, 7 Drawing Sheets



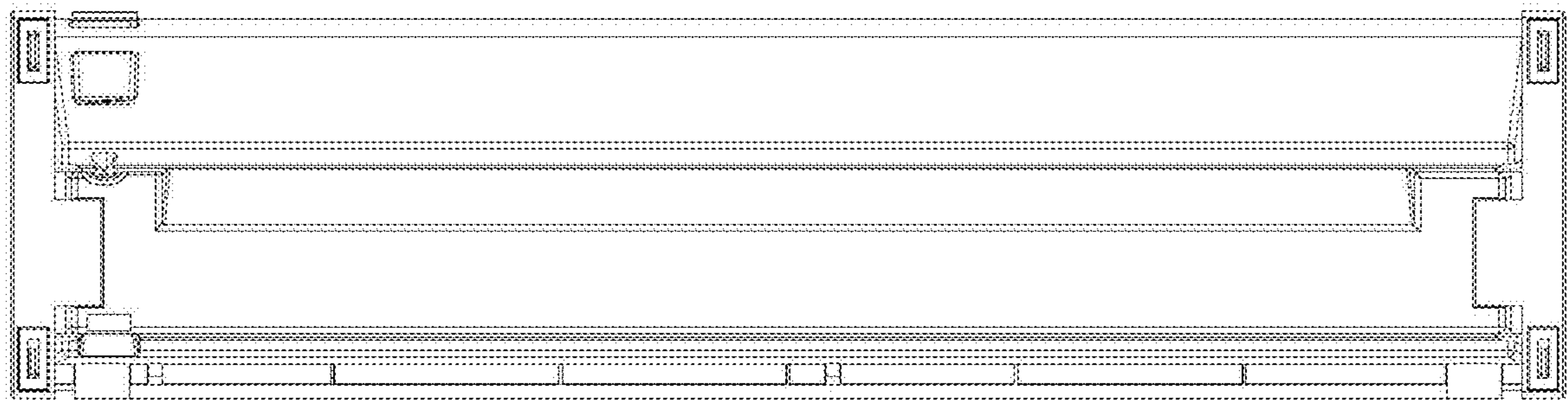
1.1



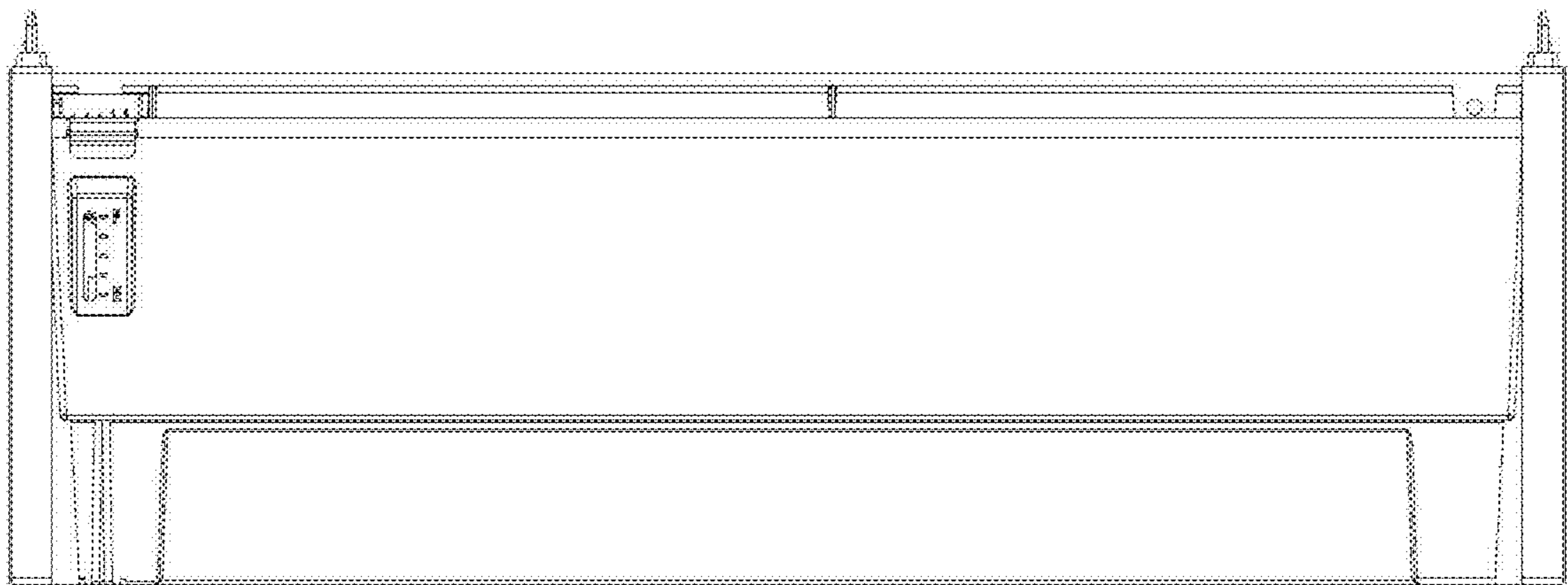
1.2



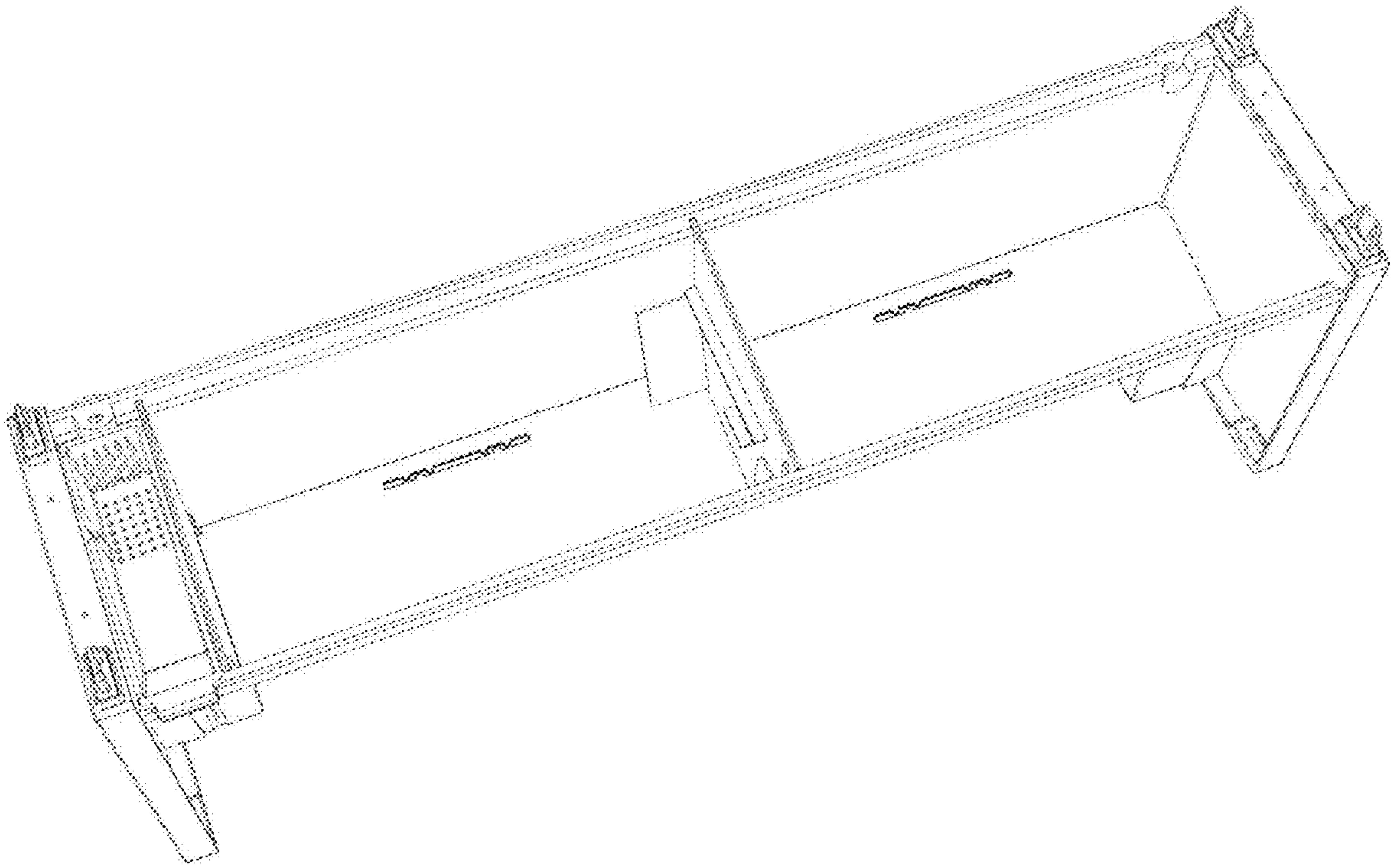
1.3



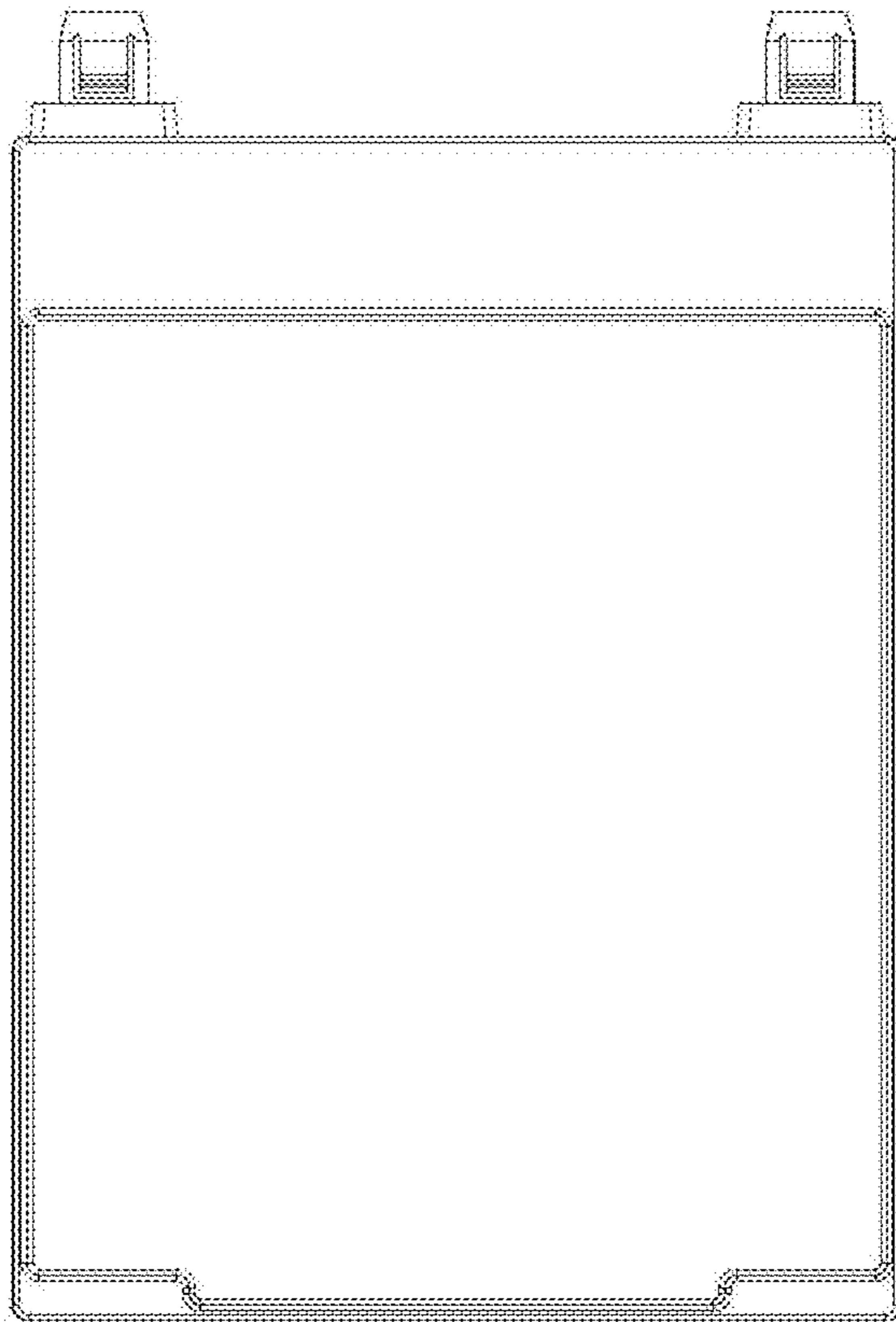
1.4



1.5



1.6



1.7

