



US00D983699S

(12) **United States Design Patent** (10) **Patent No.:** **US D983,699 S**
Hardy (45) **Date of Patent:** **** Apr. 18, 2023**

(54) **ARTICLE OF JEWELRY**
(71) Applicant: **CARTIER INTERNATIONAL AG,**
Steinhausen (CH)
(72) Inventor: **Théodora Hardy,** Conflans Sainte
Honorine (FR)
(73) Assignee: **CARTIER INTERNATIONAL AG,**
Steinhausen (CH)

D666,519 S * 9/2012 Schmidt D11/81
D740,156 S * 10/2015 Merbeth D11/79
D808,293 S * 1/2018 Lenzmeier D11/81
D811,261 S * 2/2018 Abdo D11/80
D811,262 S * 2/2018 Abdo D11/80
D867,849 S * 11/2019 White D8/105
D896,682 S * 9/2020 Rohde D11/79
D899,764 S * 10/2020 Shelton D3/208

(Continued)

(**) Term: **15 Years**

JP D1715215 * 5/2022

(21) Appl. No.: **29/786,553**

OTHER PUBLICATIONS

(22) Filed: **Jun. 1, 2021**

Les Berlingots de Cartier: clashing colours, geometry of style and constant energy, available Apr. 19, 2021, online, site visited Sep. 8, 2022. Available online, URL: <https://www.harmoniesmagazine.com/en/luxury/jewellery-en/les-berlingots-de-cartier-clashing-colours-geometry-of-style-and-constant-energy/> (Year: 2021).*

(30) **Foreign Application Priority Data**

Nov. 30, 2020 (WO) WIPO99869

(51) **LOC (14) Cl.** **11-01**

(52) **U.S. Cl.**
USPC **D11/79**

(58) **Field of Classification Search**
USPC D11/7, 8, 43-45, 79-85; D3/207-212
CPC A44C 25/00; A44C 25/001; A44C 25/002;
A44C 25/004; A44C 25/007

See application file for complete search history.

(Continued)
Primary Examiner — W. A. Teddy Falloway
Assistant Examiner — Sarah J Ault
(74) *Attorney, Agent, or Firm* — Oliff PLC

(56) **References Cited**

(57) **CLAIM**

The ornamental design for an article of jewelry, as shown and described.

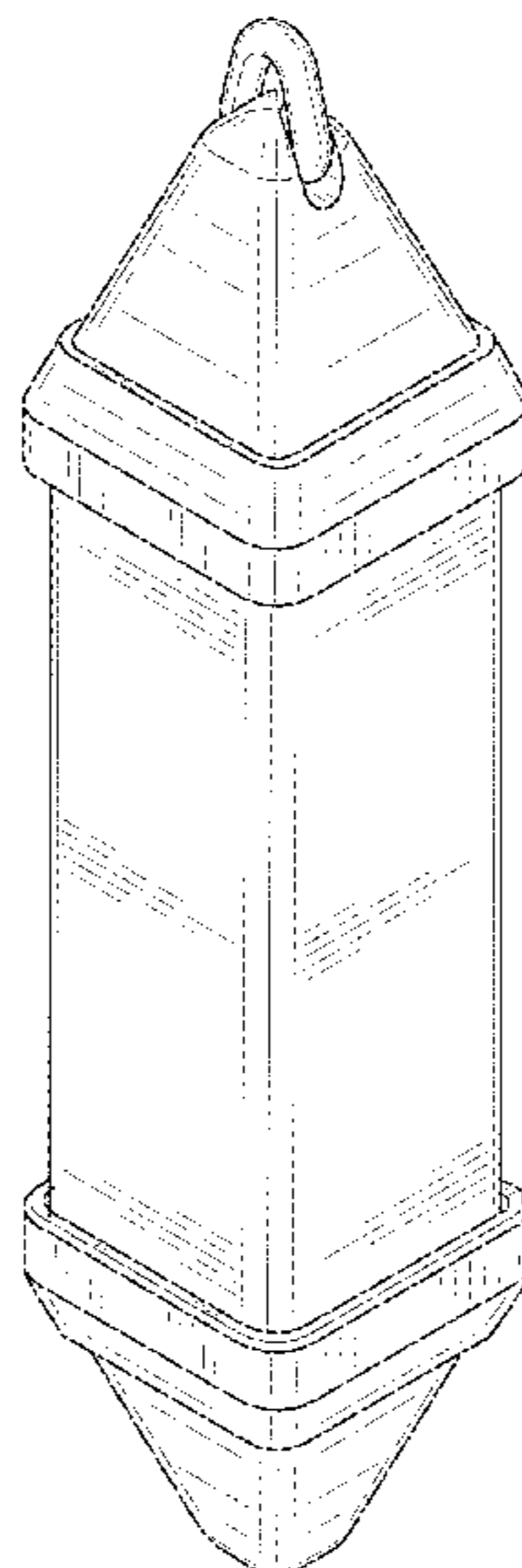
U.S. PATENT DOCUMENTS

D152,216 S * 12/1948 Quethera 132/286
D306,177 S * 2/1990 Park D19/934
D312,329 S * 11/1990 Bakic D28/85
D467,831 S * 12/2002 Rauber D3/211
D468,659 S * 1/2003 Rauber D3/211
D516,454 S * 3/2006 Gimpel D11/79
D570,724 S * 6/2008 Kittelsen D11/80
D583,700 S * 12/2008 Greer D11/80
D586,252 S * 2/2009 Kittelsen D11/80
D586,253 S * 2/2009 Forster, Jr. D11/80
D606,447 S * 12/2009 West D11/80

DESCRIPTION

FIG. 1 is a front, right-side, top perspective view of an article of jewelry, showing the new design;
FIG. 2 is a front elevational view thereof;
FIG. 3 is a rear elevational view thereof;
FIG. 4 is a left-side elevational view thereof;
FIG. 5 is a right-side elevational view thereof;
FIG. 6 is a top plan view thereof; and,
FIG. 7 is a bottom plan view thereof.

1 Claim, 6 Drawing Sheets



(56)

References Cited

U.S. PATENT DOCUMENTS

D899,765 S * 10/2020 Shelton D3/208
2012/0118014 A1 * 5/2012 King A44C 15/0015
63/3

OTHER PUBLICATIONS

Jewellery with a Strong Power of Attraction: Les Berlingots de cartier, available May 24, 2022, online, site visited Sep. 8, 2022. Available online, URL: <https://galeriacanalejas.com/en/news/jewellery-with-a-strong-power-of-attraction-les-berlingots-de-cartier/> (Year: 2022).*

* cited by examiner

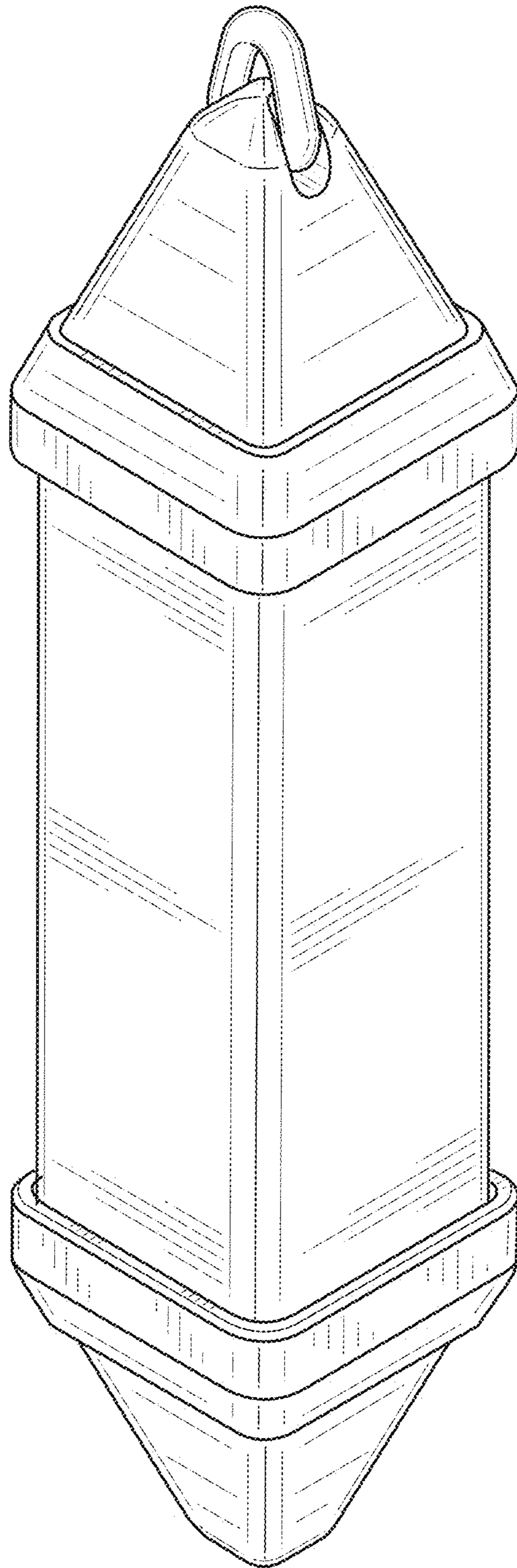


FIG. 1

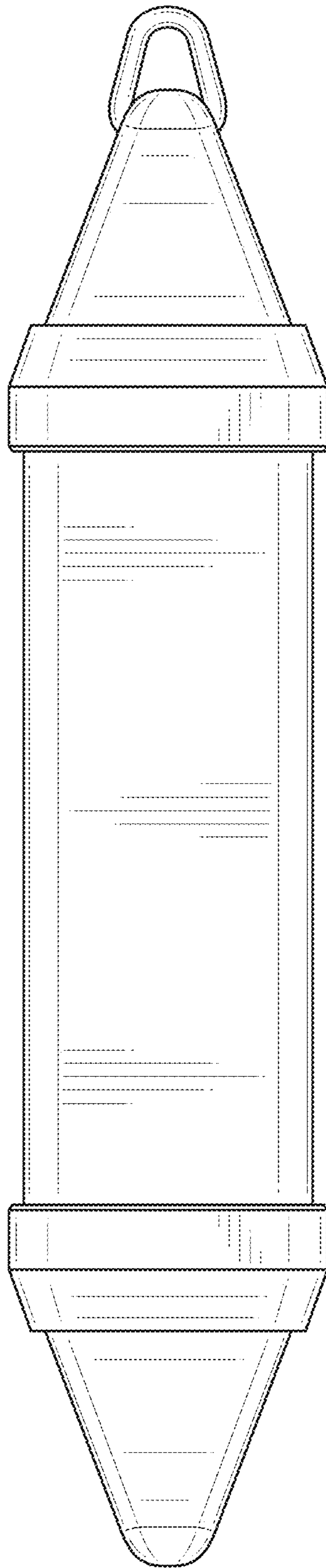


FIG. 2

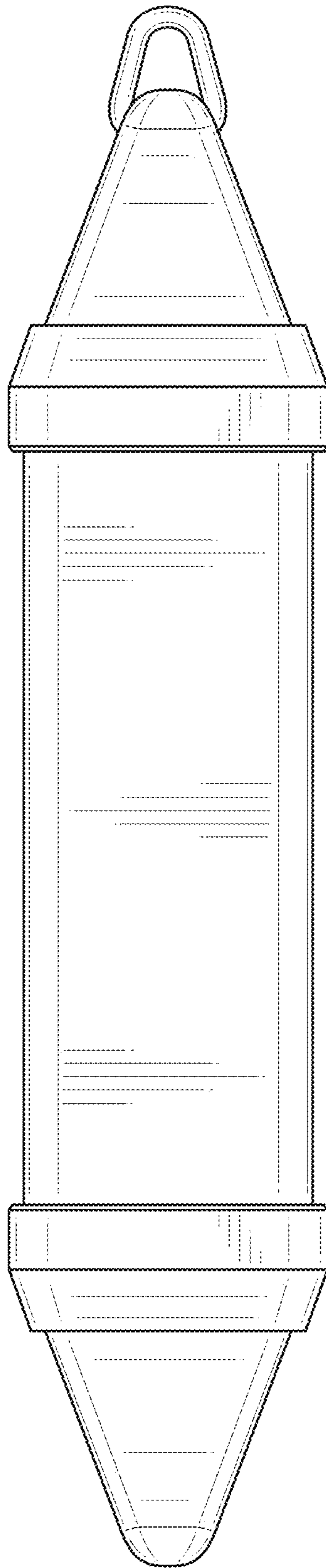


FIG. 3

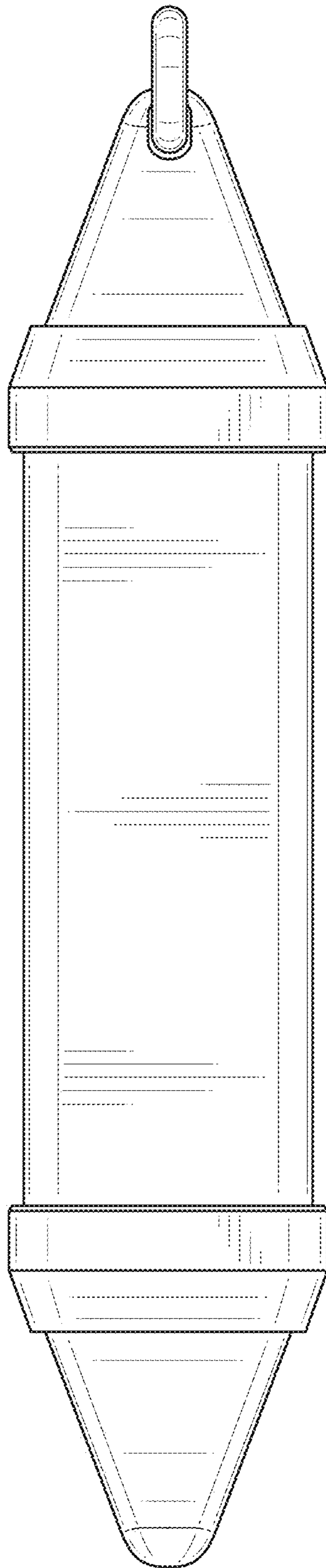


FIG. 4

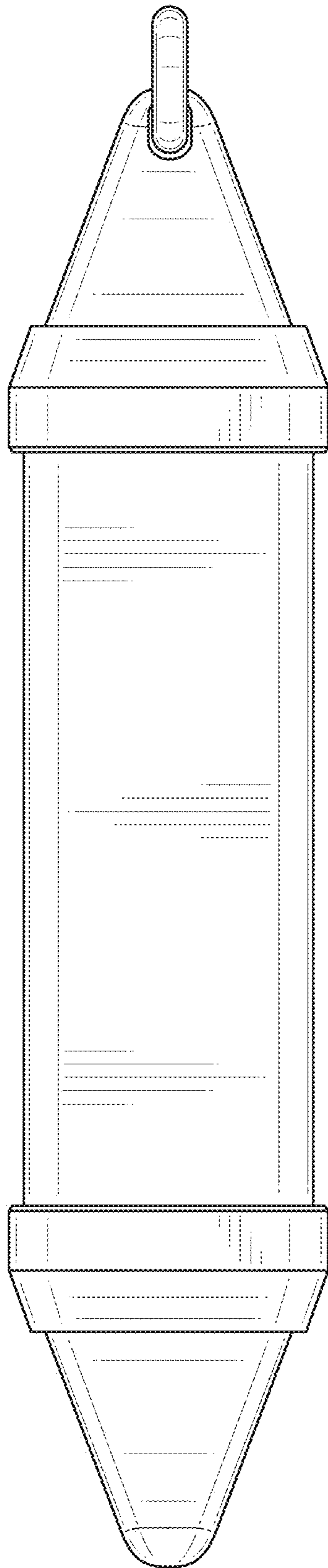


FIG. 5

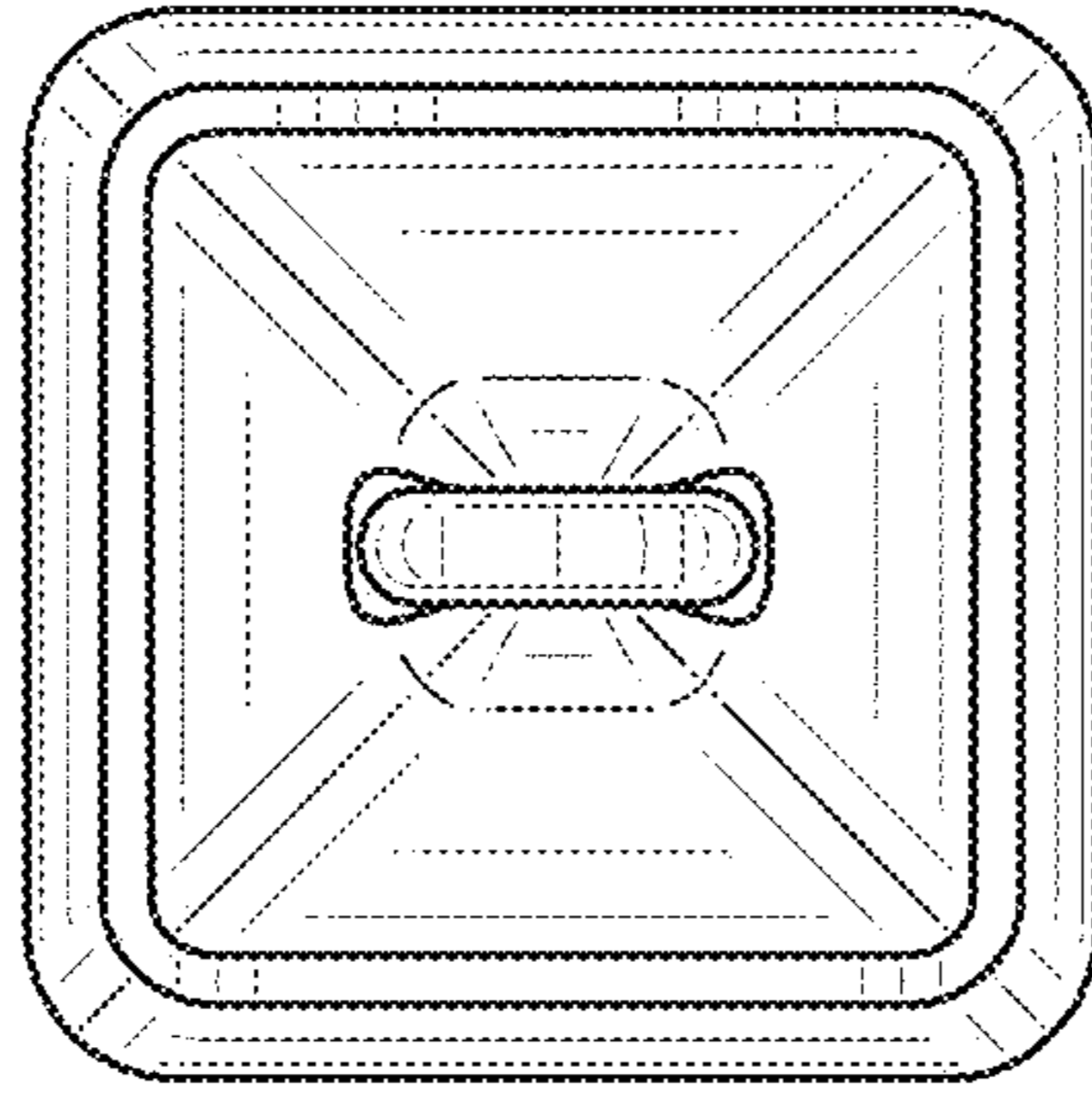


FIG. 6

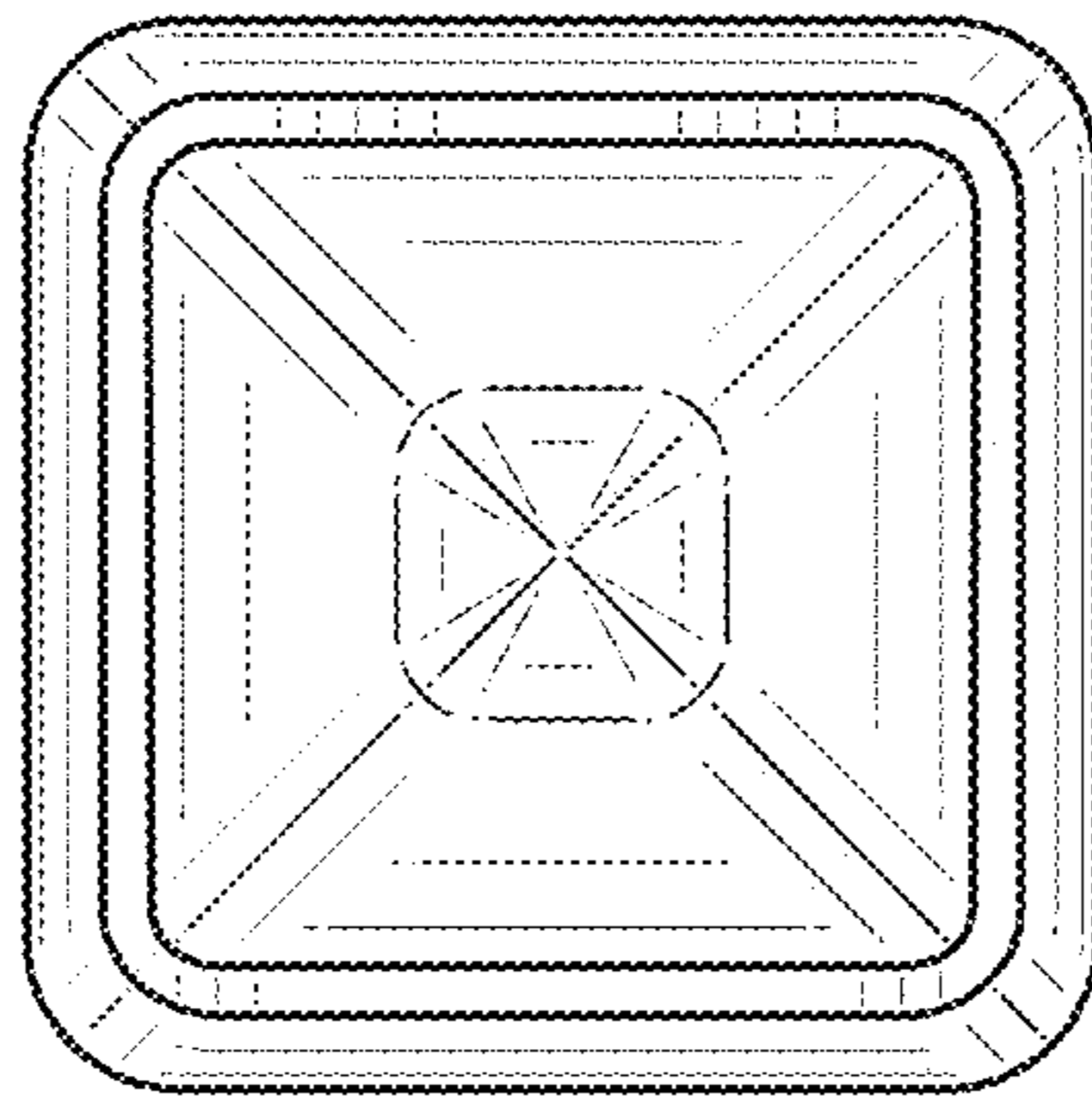


FIG. 7