



US00D983689S

(12) **United States Design Patent**
Huang

(10) **Patent No.:** **US D983,689 S**

(45) **Date of Patent:** **** Apr. 18, 2023**

(54) **WATCHBAND**

(71) Applicant: **Peng Huang**, Guangdong (CN)

(72) Inventor: **Peng Huang**, Guangdong (CN)

(**) Term: **15 Years**

(21) Appl. No.: **29/843,076**

(22) Filed: **Jun. 17, 2022**

(30) **Foreign Application Priority Data**

Dec. 31, 2021 (CN) 202130878145.2

(51) **LOC (14) Cl.** **11-01**

(52) **U.S. Cl.**
USPC **D11/3**

(58) **Field of Classification Search**
USPC D11/1-6, 17-22; D10/30-32
CPC A44C 5/0092
See application file for complete search history.

(56) **References Cited**

U.S. PATENT DOCUMENTS

- D55,788 S * 7/1920 Griffin D11/6
- D72,496 S * 4/1927 Sabin D10/32
- D153,384 S * 4/1949 Philippe D11/15
- D155,768 S * 11/1949 Austin D11/15
- 2,518,163 A * 8/1950 Megar A44C 5/102
63/4
- D166,719 S * 5/1952 Speck D11/24
- D176,877 S * 2/1956 Newmark D24/194
- D210,149 S * 2/1968 Frakenthaler D11/4
- D265,728 S * 8/1982 Bales D11/27
- D279,555 S * 7/1985 Matsuo D11/4
- D293,302 S * 12/1987 Schoepfer D11/21
- D305,622 S * 1/1990 Wakamatsu D11/5
- D342,461 S * 12/1993 Fahmy D11/3
- D352,476 S * 11/1994 Lefevre D11/25
- D361,727 S * 8/1995 Koga D10/30
- D368,046 S * 3/1996 Fujisawa D11/3
- D390,476 S * 2/1998 Brzezinski D10/32
- D393,426 S * 4/1998 Okumura D11/3

- D393,427 S * 4/1998 Okumura D11/3
- D393,602 S * 4/1998 Sang D11/3
- D409,941 S * 5/1999 Spandrio D11/3

(Continued)

FOREIGN PATENT DOCUMENTS

- CN 307358957 * 5/2022
- GB 6185609 * 1/2022

OTHER PUBLICATIONS

Amazon.com: 5 Pack Lace Silicone Bands Compatible with Apple Watch pp. 1-7 2022 https://www.amazon.com/VUTOT-Compatible-Hollowed-out-Replacement-Wristbands/dp/B09R1W5M5V/ref=cm_cr_arp_d_product_top?ie=UTF8 (Year: 2022).*

(Continued)

Primary Examiner — Kevin K Rudzinski
Assistant Examiner — Evans David Delesline
(74) *Attorney, Agent, or Firm* — ScienBiziP, P.C.

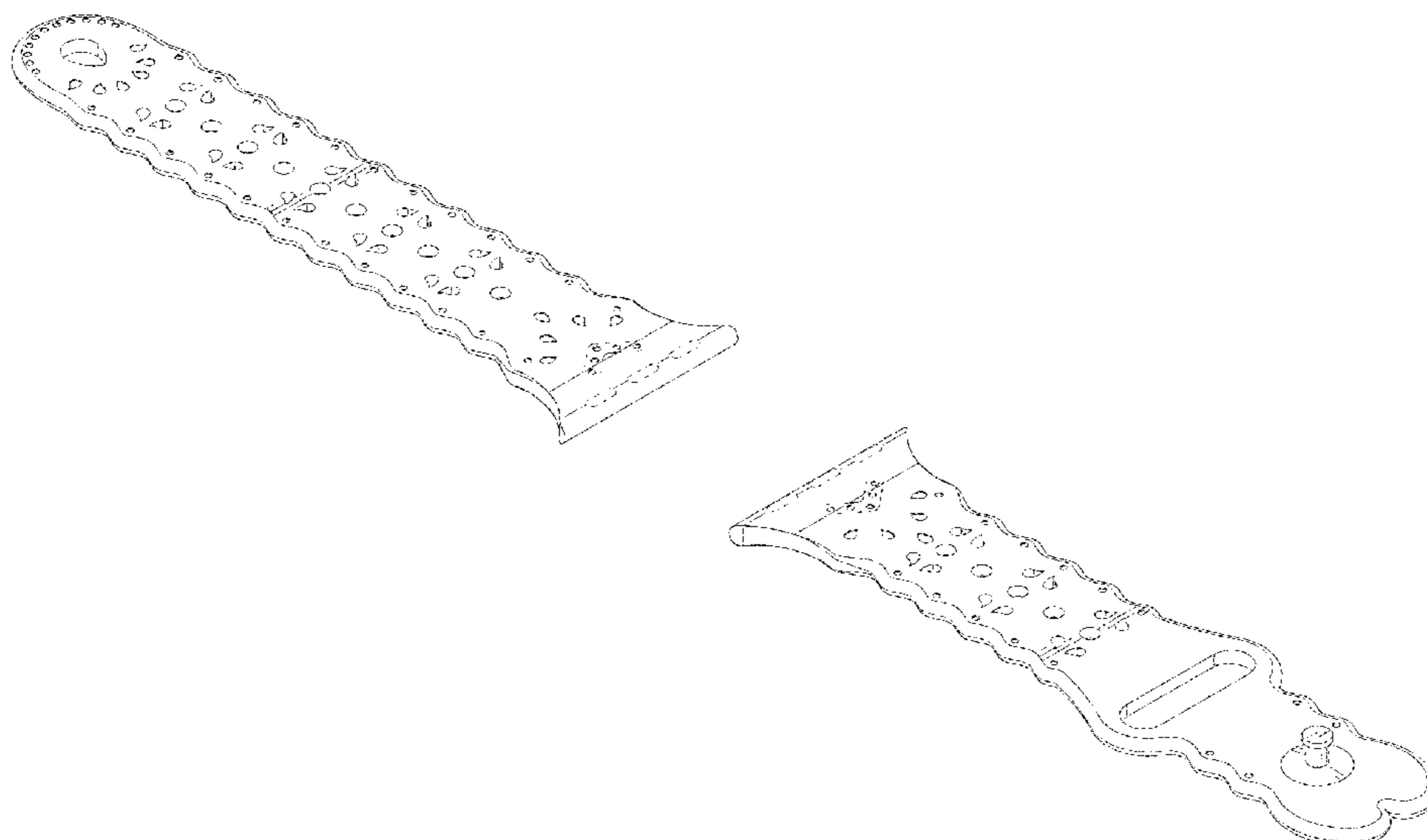
(57) **CLAIM**

The ornamental design for a watchband, as shown and described.

DESCRIPTION

FIG. 1 is a front, right and top perspective view of a watchband, showing my design.
FIG. 2 is a rear, left and bottom perspective view thereof.
FIG. 3 is a front elevation view thereof.
FIG. 4 is a rear elevation view thereof.
FIG. 5 is a left side elevation view thereof.
FIG. 6 is a right side elevation view thereof.
FIG. 7 is a top plan view thereof; and,
FIG. 8 is a bottom plan view thereof.
The broken lines shown in the drawings are included for the purpose of illustrating portions of the watchband that form no part of the claimed design.

1 Claim, 8 Drawing Sheets



(56)

References Cited

U.S. PATENT DOCUMENTS

D411,129	S	*	6/1999	Chaney	D11/3
D489,281	S		5/2004	Hill		
D491,818	S	*	6/2004	Chodat	D10/32
D596,979	S	*	7/2009	Fitzgerald	D11/6
D598,302	S	*	8/2009	Moritz	D10/32
D716,173	S	*	10/2014	Garcia	D11/96
D721,607	S	*	1/2015	Lindstrom	D11/3
D722,902	S	*	2/2015	Mihalyo	D11/3
D729,105	S	*	5/2015	Stegmann	D11/12
D793,894	S	*	8/2017	Schwaninger	D11/6
D801,847	S	*	11/2017	Dominguez	D11/16
D811,924	S	*	3/2018	Haarburger	D3/208
D821,248	S	*	6/2018	Naqvi	D11/3
D865,536	S	*	11/2019	Akana	D14/344
D909,904	S		2/2021	Koyama		
D913,142	S	*	3/2021	Zanghi	D11/5
D955,257	S	*	6/2022	Huang	D11/3

OTHER PUBLICATIONS

Amazon.com_Customer reviews pp. 1-5 2022 https://www.amazon.com/VUTOT-Compatible-Hollowed-out-Replacement-Wristbands/dp/B09R1W5M5V/ref=cm_cr_arp_d_bdcrb_top?ie=UTF8 (Year: 2022).*

* cited by examiner

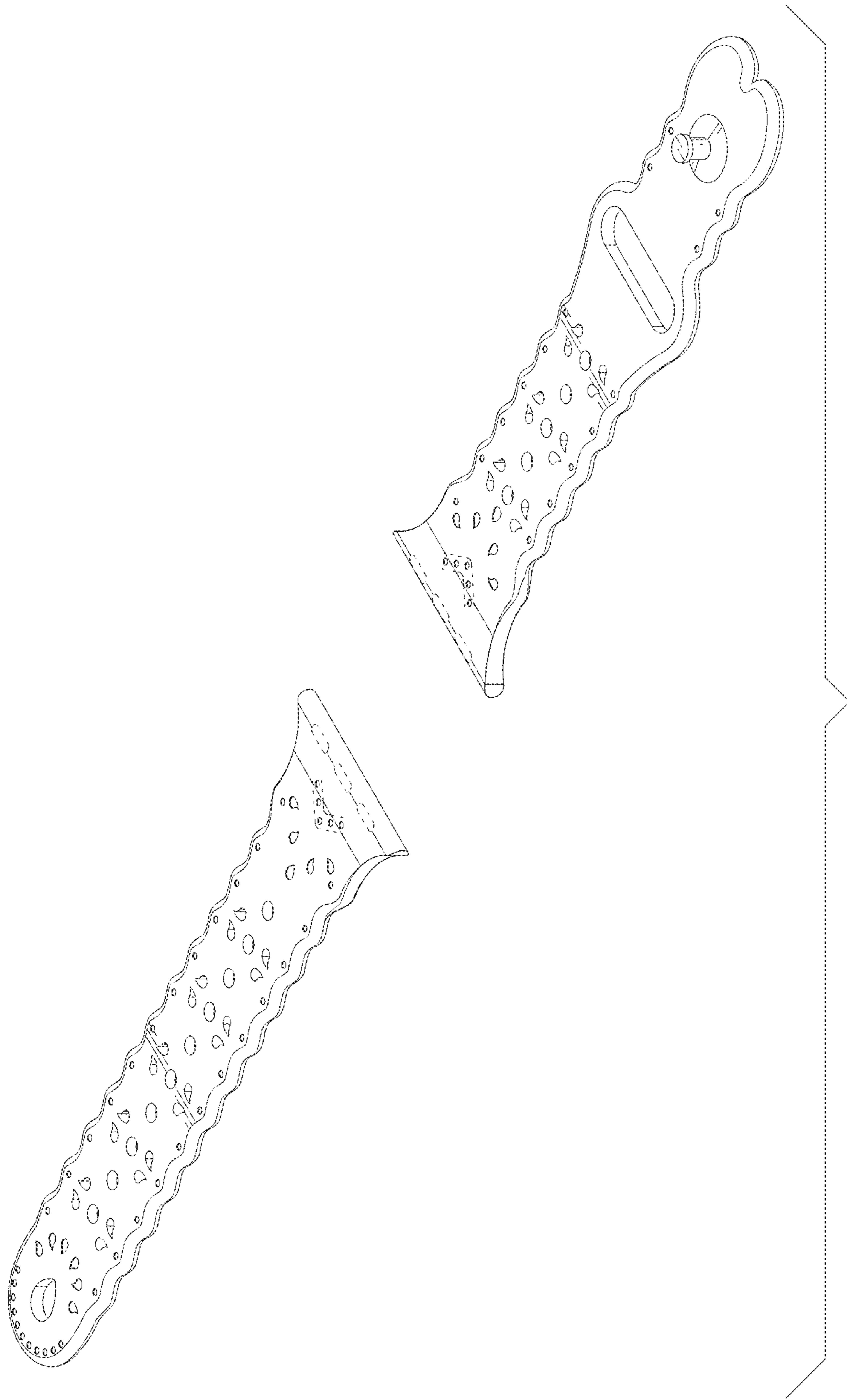


FIG.1

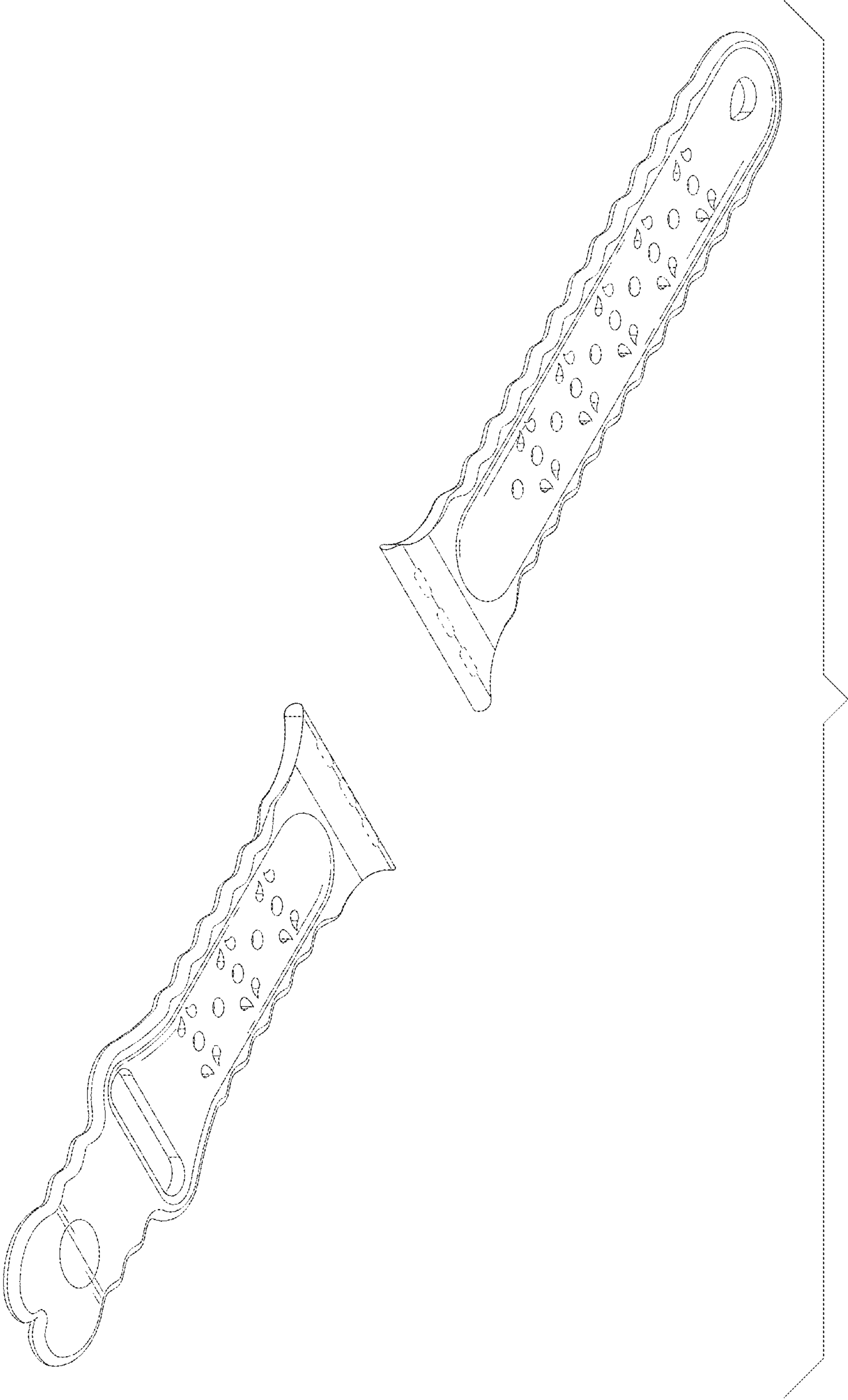


FIG.2

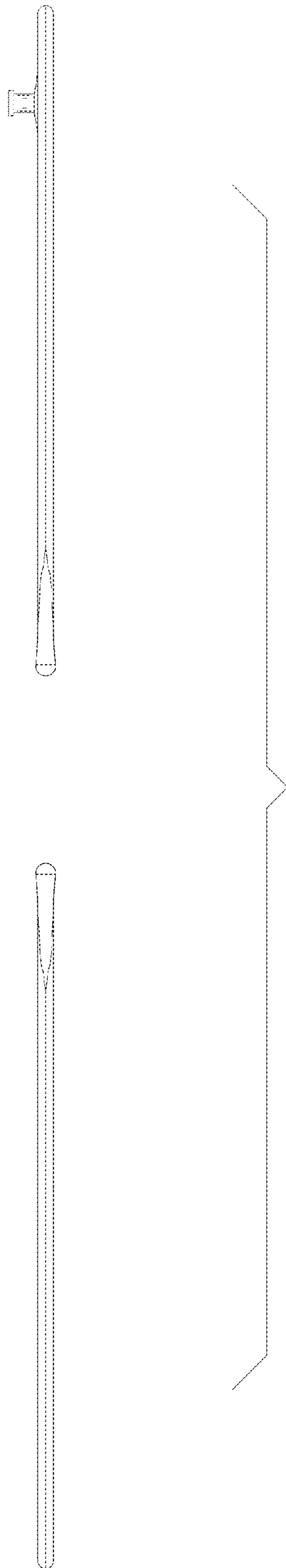


FIG. 3

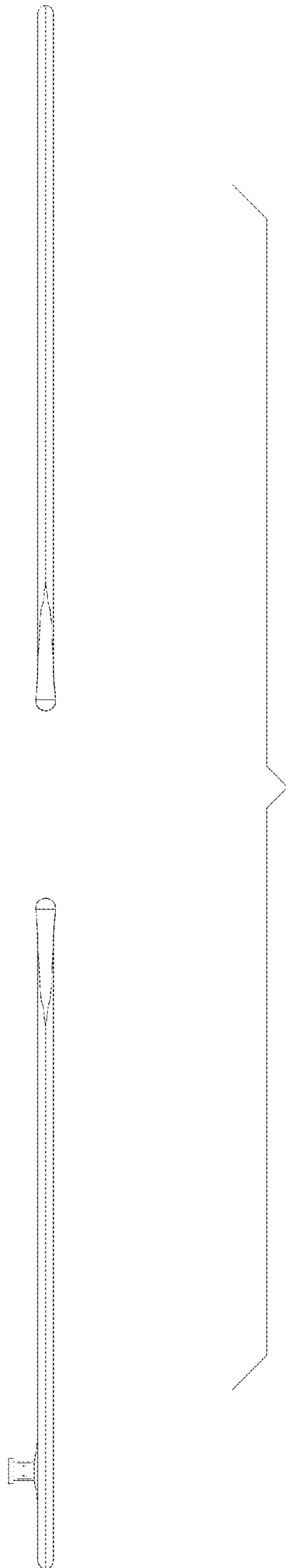


FIG.4

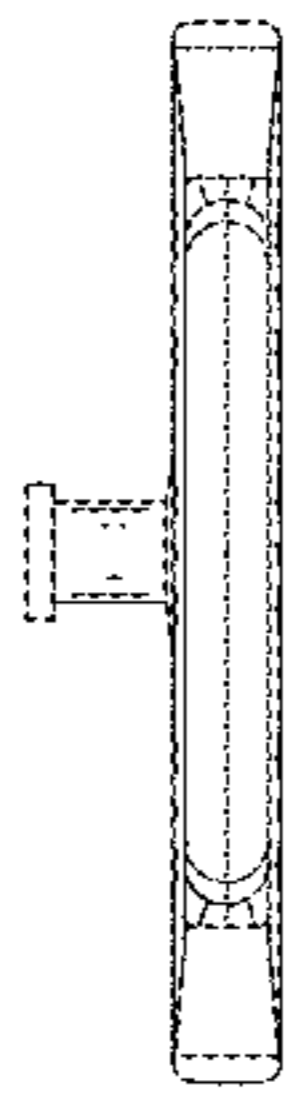


FIG. 5

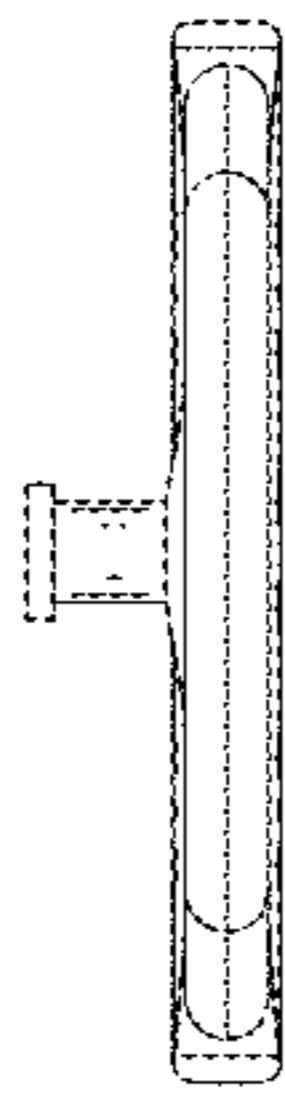


FIG. 6

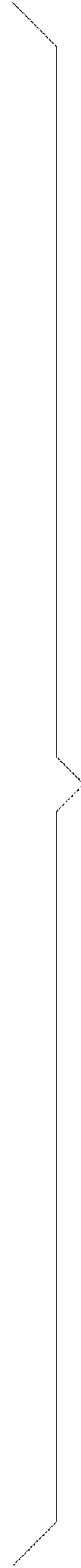
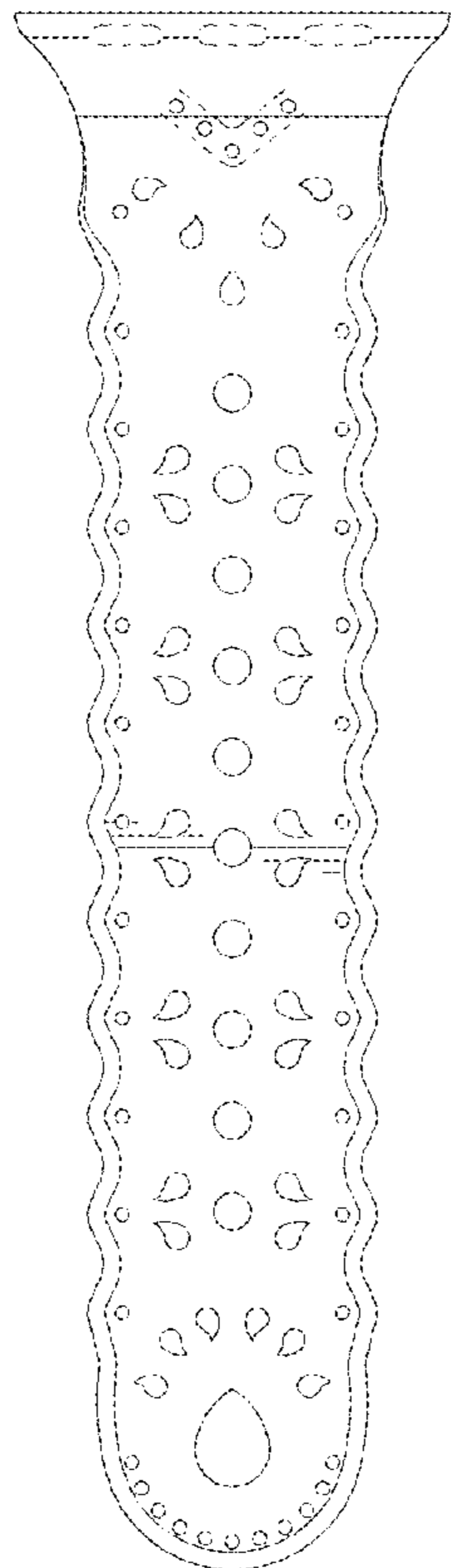
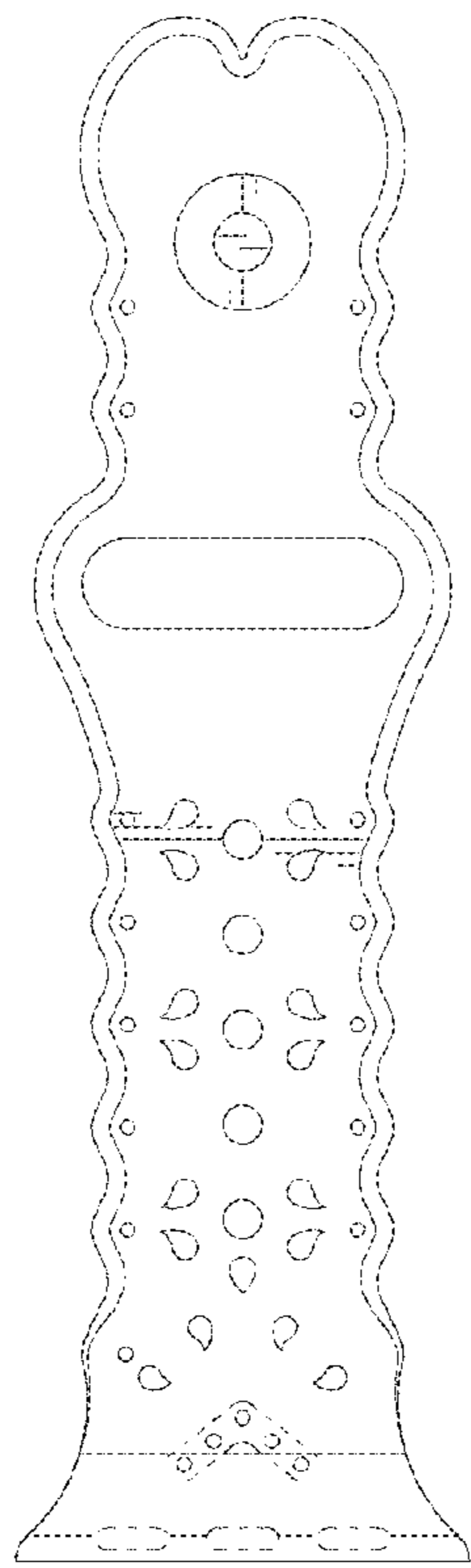


FIG. 7

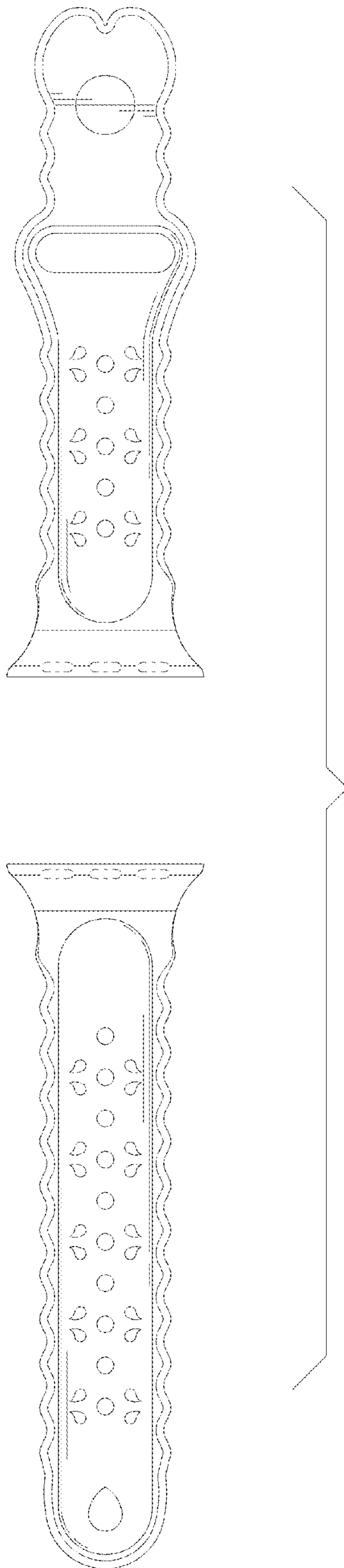


FIG. 8