



US00D983680S

(12) **United States Design Patent** (10) **Patent No.:** **US D983,680 S**  
**Cui et al.** (45) **Date of Patent:** **\*\* Apr. 18, 2023**

(54) **VOLTAGE DETECTOR**

(71) Applicant: **GuiLin Huayi Peakmeter Co. Ltd.**,  
GuiLin (CN)  
(72) Inventors: **Zhe Cui**, GuiLin (CN); **Chao Gao**,  
GuiLin (CN); **Bangyu Huang**, GuiLin  
(CN); **Zhiqiang Liu**, GuiLin (CN)  
(73) Assignee: **GUILIN HUAYI PEAKMETER CO.**  
**LTD.**, Guilin (CN)

D430,498 S \* 9/2000 Tsai ..... D10/78  
D481,963 S \* 11/2003 Onuma ..... D10/78  
D544,118 S \* 6/2007 Osiecki ..... D26/37  
D556,533 S \* 12/2007 Gobbi ..... D8/80  
D565,768 S \* 4/2008 Shiu ..... D26/49  
D566,315 S \* 4/2008 Shiu ..... D26/49  
D625,211 S \* 10/2010 Chun ..... D10/78  
D637,926 S \* 5/2011 Chun ..... D10/78  
D642,943 S \* 8/2011 Laurino ..... D10/78  
D653,931 S \* 2/2012 Blanchard ..... D8/107  
D661,605 S \* 6/2012 Laurino ..... D10/78  
D666,113 S \* 8/2012 Kwartler ..... D10/78

(Continued)

(\*\*) Term: **15 Years**

**OTHER PUBLICATIONS**

(21) Appl. No.: **29/731,973**

Peakmeter Non-contact AC Voltage Detector, date first available  
Apr. 19, 2018, (online) URL: [https://www.amazon.com/PEAKMETER-PM8908C-Non-contact-Detector-12V-1000V/dp/B07CHG8ZFFV/ref=sr\\_1\\_7](https://www.amazon.com/PEAKMETER-PM8908C-Non-contact-Detector-12V-1000V/dp/B07CHG8ZFFV/ref=sr_1_7) (Year: 2018).\*

(22) Filed: **Apr. 20, 2020**

(30) **Foreign Application Priority Data**

Mar. 10, 2020 (CN) ..... 202030078358.2

(51) **LOC (14) Cl.** ..... **10-04**

(52) **U.S. Cl.**  
USPC ..... **D10/78**

(58) **Field of Classification Search**  
USPC ..... D4/101, 109; D19/115, 102; D13/182,  
D13/129, 199, 184; D24/215, 108, 224,  
D24/169; D10/81; D8/31, 107, 80;  
D26/46, 37  
CPC ..... G01R 19/00  
See application file for complete search history.

*Primary Examiner* — Nicole C Shiflet  
*Assistant Examiner* — Antoinette Martine Suiter  
(74) *Attorney, Agent, or Firm* — Fish IP Law, LLP

(57) **CLAIM**

The ornamental design for a voltage detector, as shown and described.

**DESCRIPTION**

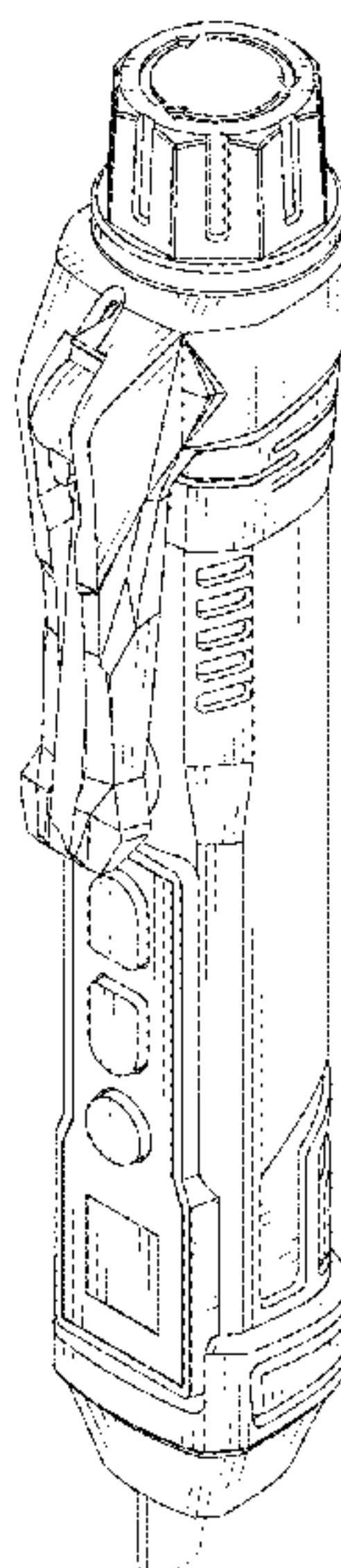
FIG. 1 is a front view of a voltage detector showing the new design;  
FIG. 2 is a rear view thereof;  
FIG. 3 is a left side view thereof;  
FIG. 4 is a right side view thereof;  
FIG. 5 is a top plan view thereof;  
FIG. 6 is a bottom plan view thereof; and,  
FIG. 7 is a front, top, and right side perspective view thereof.  
The broken lines depict portions of the article that form no part of the claimed design.

(56) **References Cited**

**U.S. PATENT DOCUMENTS**

D246,956 S \* 1/1978 Perry ..... D10/78  
D251,184 S \* 2/1979 Volk ..... D10/103  
D251,954 S \* 5/1979 Raffler ..... D4/138  
D289,617 S \* 5/1987 Yajima ..... D10/78  
D347,187 S \* 5/1994 Chou ..... D10/78  
D351,562 S \* 10/1994 Moffatt ..... D10/78  
D383,988 S \* 9/1997 Luebke ..... D10/78  
D410,203 S \* 5/1999 Beha ..... D10/78

**1 Claim, 6 Drawing Sheets**



(56)

**References Cited**

U.S. PATENT DOCUMENTS

D668,803	S	*	10/2012	Yang	.....	D26/46
D671,249	S	*	11/2012	Sheikh	.....	D26/38
D699,133	S	*	2/2014	Lamoreux	.....	D10/78
D711,027	S	*	8/2014	Kovacik	.....	D26/37
D750,305	S	*	2/2016	Sheikh	.....	D26/38
D750,985	S	*	3/2016	Wong	.....	D10/78
D752,792	S	*	3/2016	Grandadam	.....	D26/42
D757,972	S	*	5/2016	Caito	.....	D26/42
D804,696	S	*	12/2017	Cheng	.....	D26/49
D838,196	S	*	1/2019	Yang	.....	D10/78
D891,659	S	*	7/2020	Tu	.....	D26/37
D908,518	S	*	1/2021	Clarke	.....	D10/78
D930,868	S	*	9/2021	Lu	.....	D26/37
D940,366	S	*	1/2022	Cran	.....	D26/37
D940,370	S	*	1/2022	Nguyen	.....	D26/37
2016/0013365	A1	*	1/2016	Chun	.....	H01L 33/007 438/34

\* cited by examiner

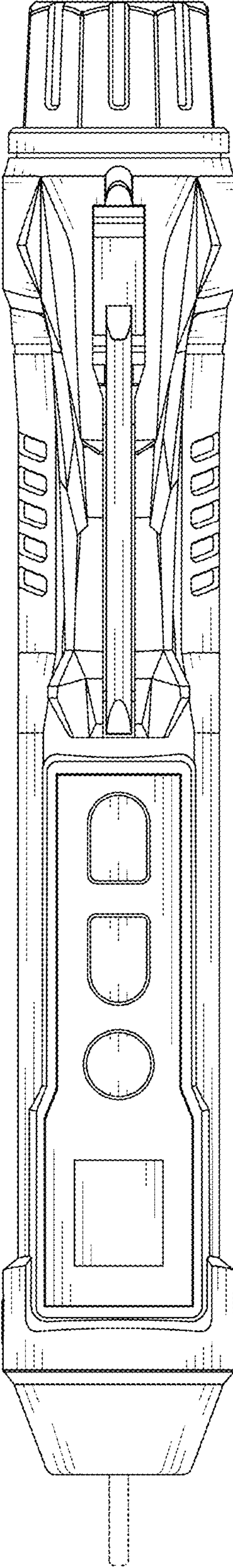


FIG. 1

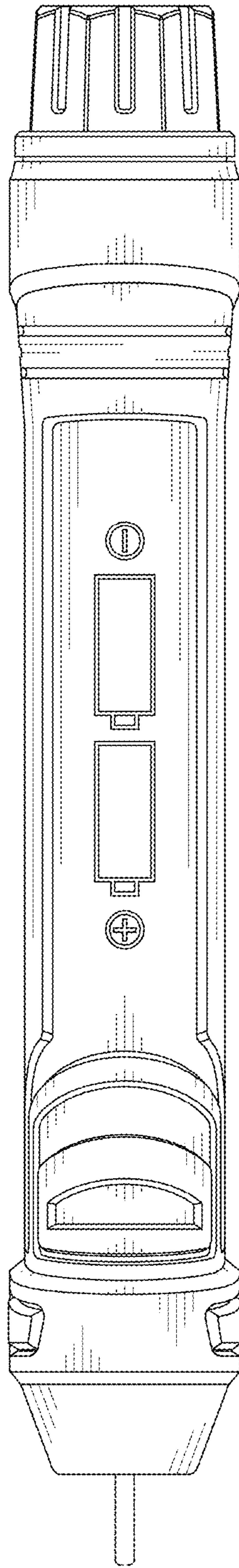


FIG. 2

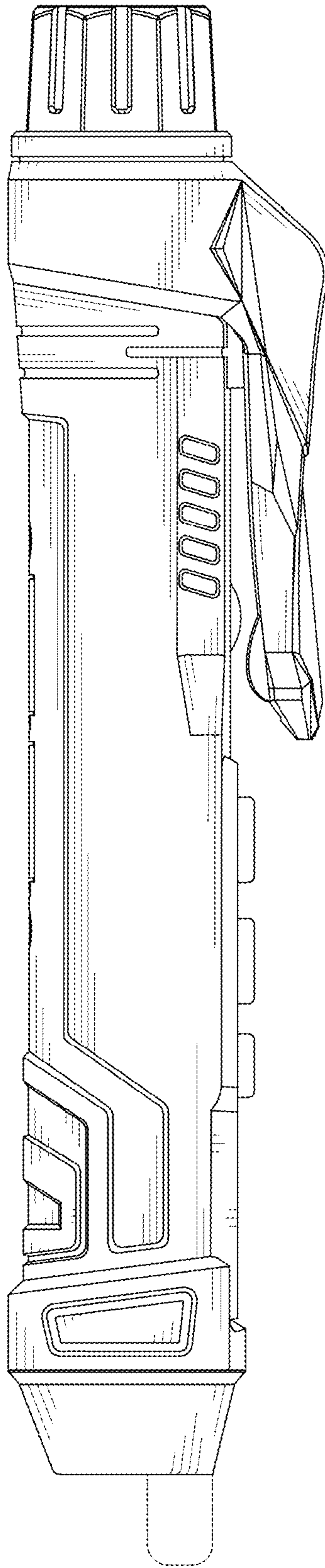


FIG. 3



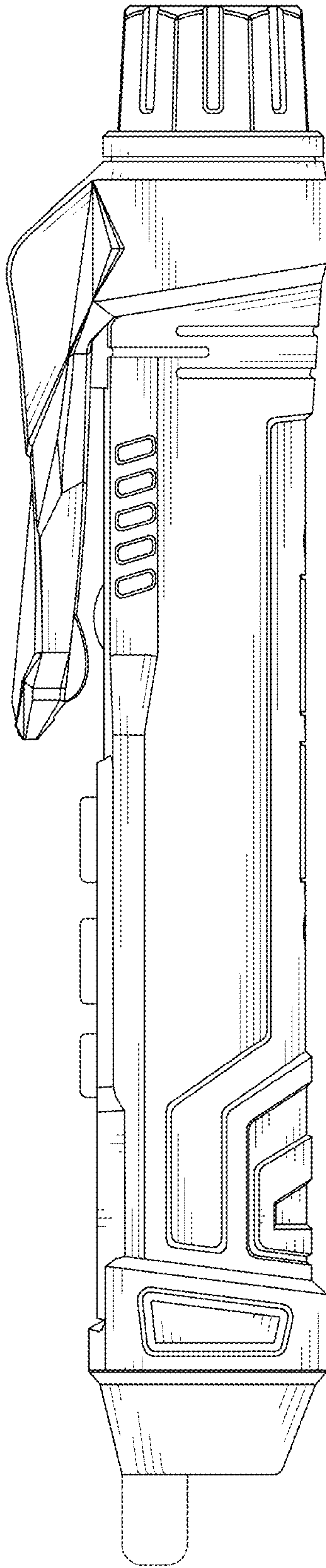


FIG. 4

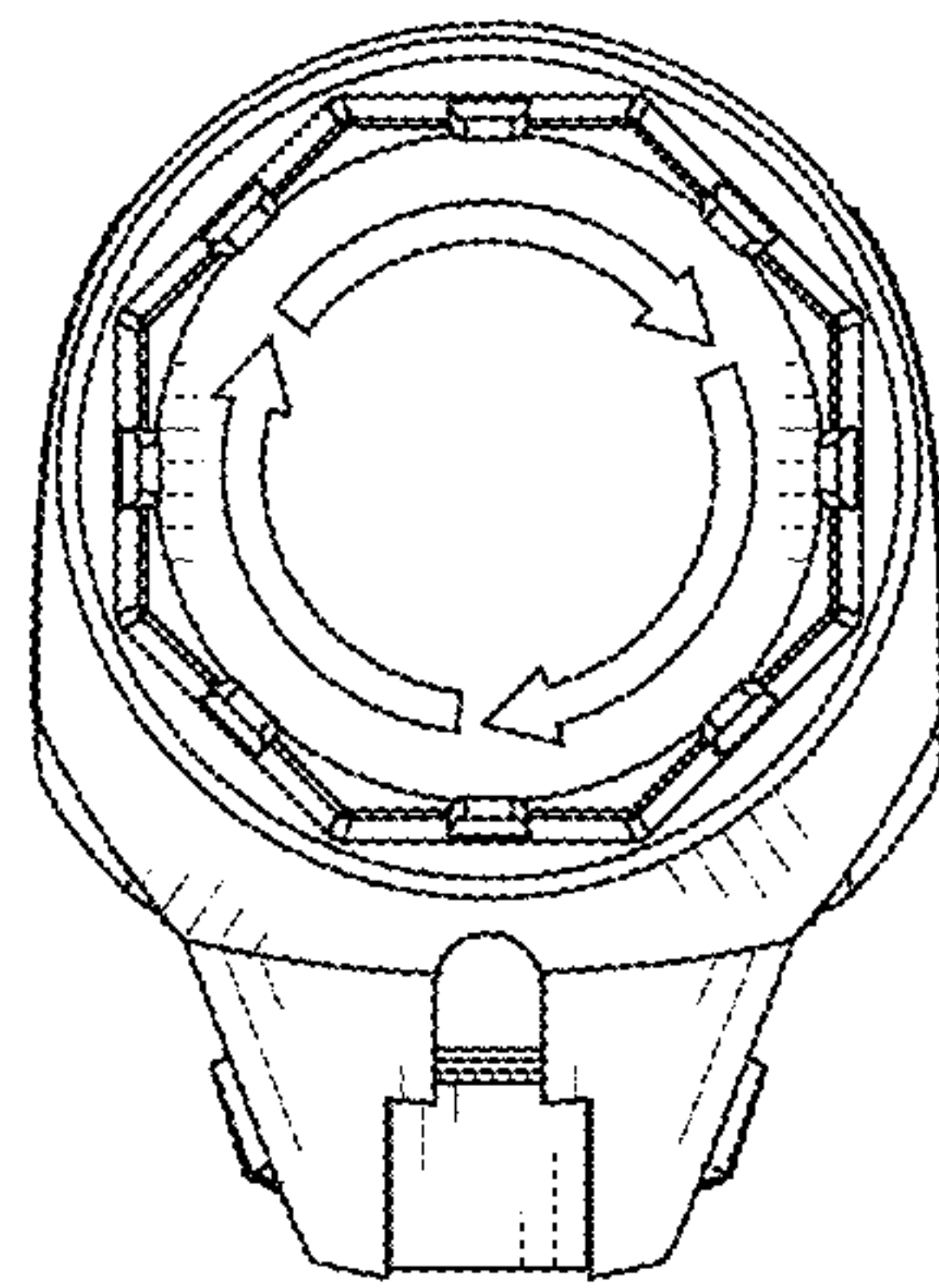


FIG. 5

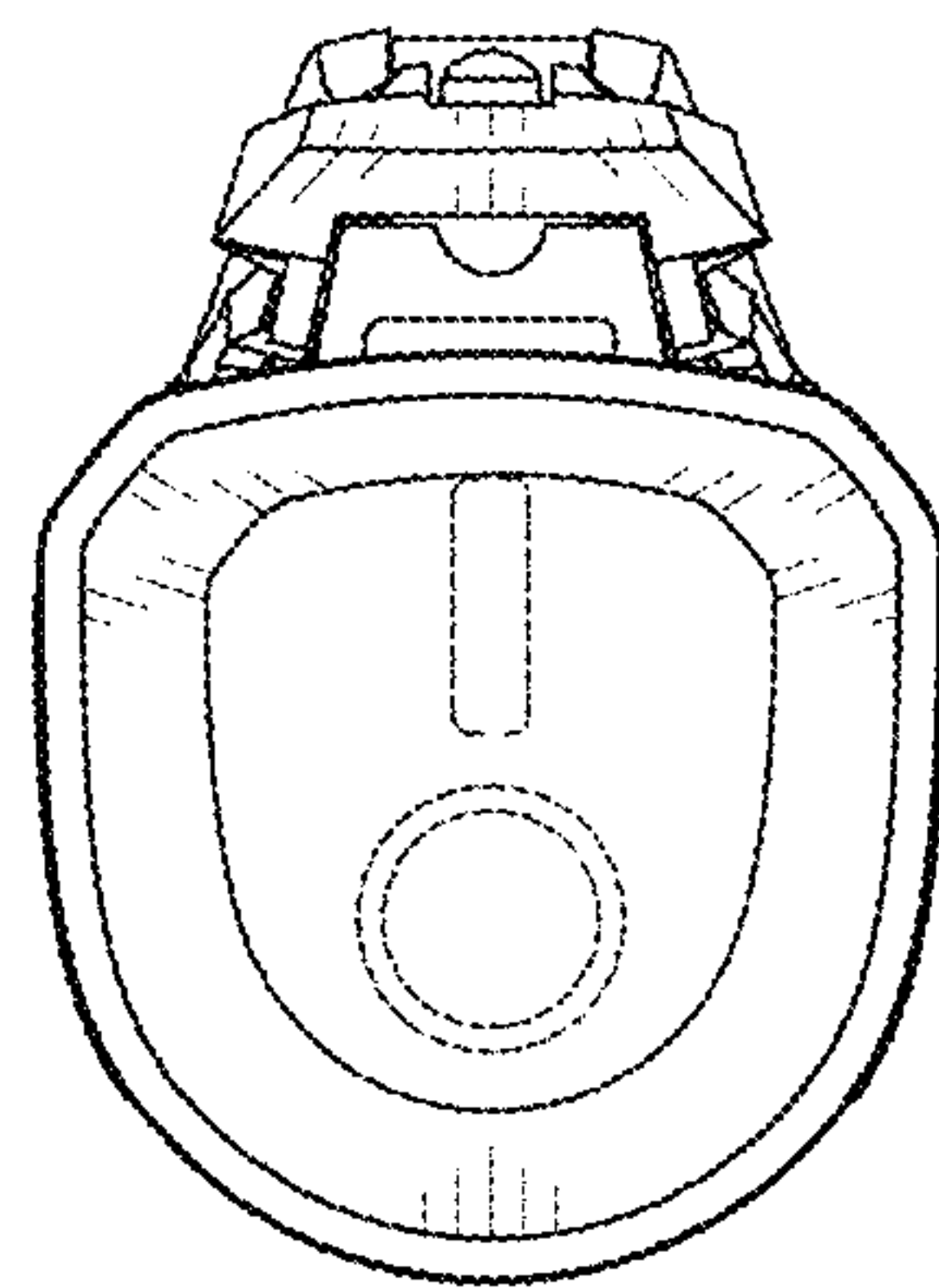


FIG. 6

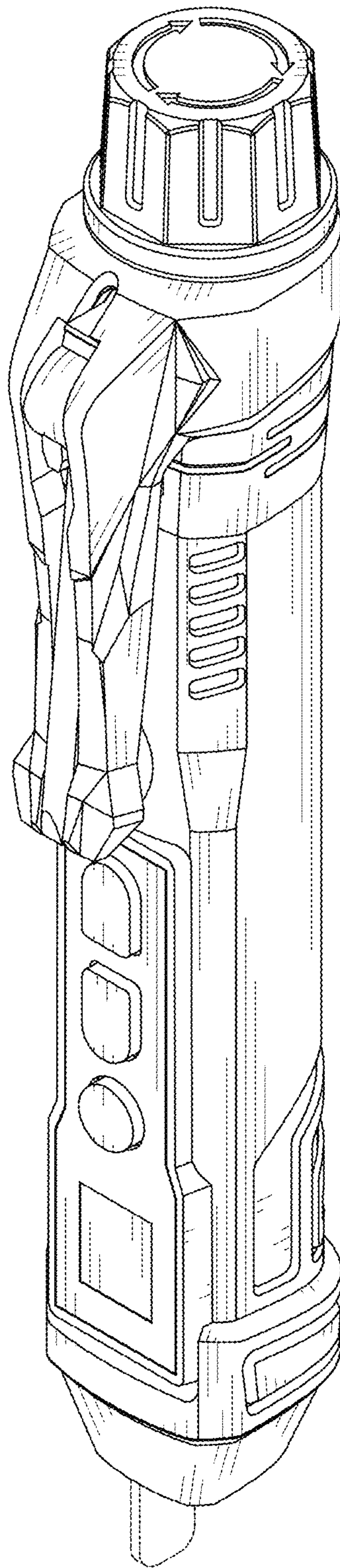


FIG. 7