



US00D983678S

(12) **United States Design Patent**
Hornbacher

(10) **Patent No.:** **US D983,678 S**

(45) **Date of Patent:** **** Apr. 18, 2023**

(54) **PIPE FUSING INDICATOR**

(71) Applicant: **Gregory Hornbacher**, Linden, MI (US)

(72) Inventor: **Gregory Hornbacher**, Linden, MI (US)

(**) Term: **15 Years**

(21) Appl. No.: **29/755,084**

(22) Filed: **Oct. 16, 2020**

(51) **LOC (14) Cl.** **10-04**

(52) **U.S. Cl.**
USPC **D10/70**

(58) **Field of Classification Search**
USPC D10/46, 70, 109.1; D8/21, 25, 51;
D23/266
CPC G08B 5/00; B29C 66/87; B29C 65/02;
B29C 66/73921; B29C 66/5221; B29C
65/7841; B29C 65/7802; B29C 66/872;
B29C 66/71; B29K 2027/06; B29K
2023/06; B29L 2023/22

See application file for complete search history.

(56) **References Cited**

U.S. PATENT DOCUMENTS

342,824 A * 6/1886 Clark B25B 13/08
81/124.2
4,154,191 A 5/1979 Black
4,412,468 A 11/1983 Bucy
D319,759 S * 9/1991 Bookout D8/21
D374,383 S * 10/1996 Malak D8/21
D396,391 S * 7/1998 Rein D8/21

5,843,271 A 12/1998 Andrew
D463,232 S * 9/2002 Newton, Sr. D8/51
D490,284 S * 5/2004 McElligott B29C 66/5221
D8/21
D643,321 S 8/2011 Nielsen
D694,078 S * 11/2013 Dumaine B29C 66/5221
D8/27
D702,574 S * 4/2014 Chen D10/70
9,393,739 B2 7/2016 Perrault
9,458,949 B2 10/2016 McKinley
D804,263 S * 12/2017 Landon D8/25
D840,002 S * 2/2019 Anderson D23/266
10,443,772 B2 10/2019 Kishi
D886,252 S * 6/2020 Anderson D23/266
11,458,692 B2 * 10/2022 Hornbacher B29C 66/5221

* cited by examiner

Primary Examiner — George D. Kirschbaum

Assistant Examiner — Lillian Windham

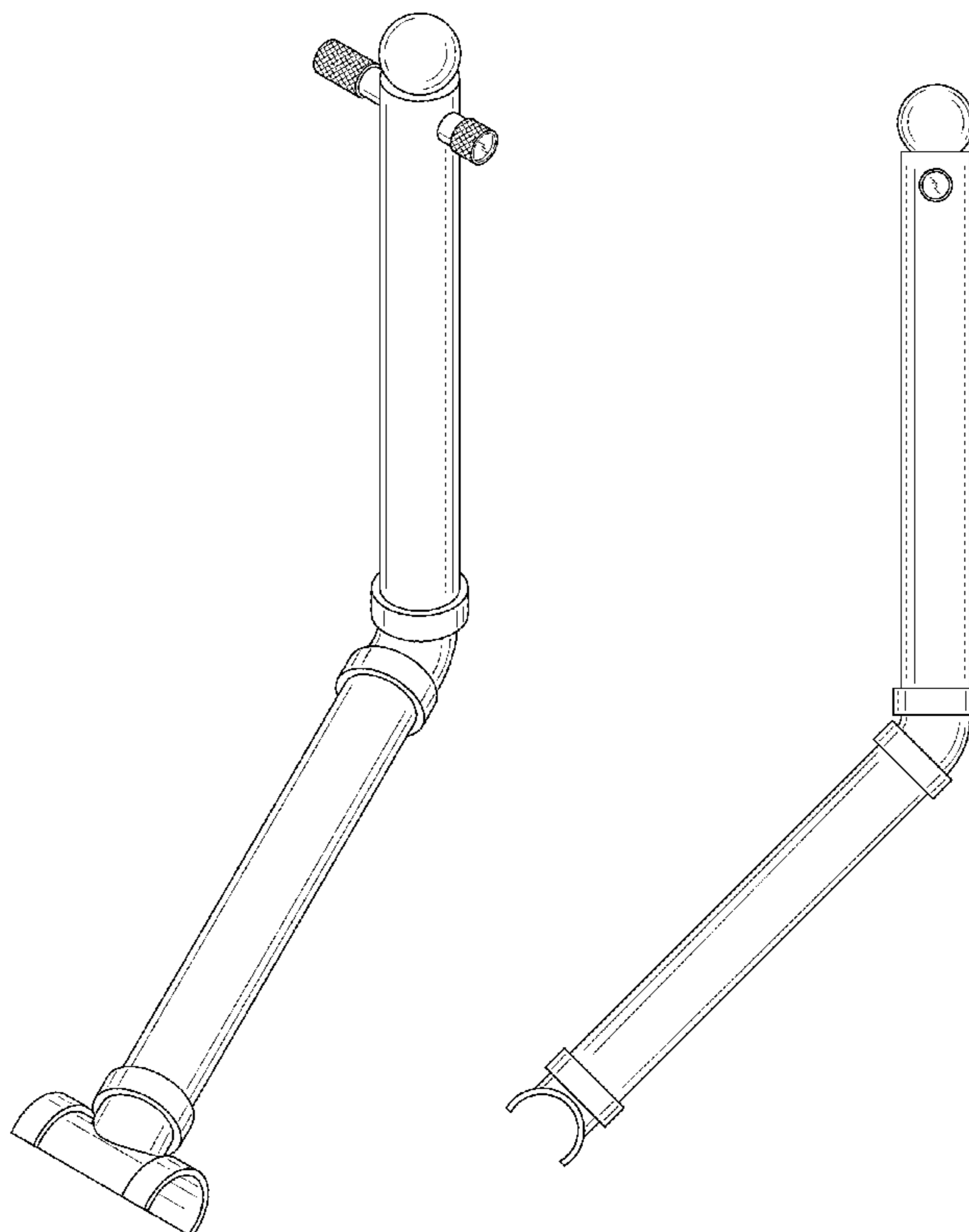
(57) **CLAIM**

The ornamental design for a pipe fusing indicator, as shown and described.

DESCRIPTION

FIG. 1 is a top front side perspective view of a pipe fusing indicator showing my new design;
FIG. 2 is a right side view of the pipe fusing indicator;
FIG. 3 is a left side view of the pipe fusing indicator;
FIG. 4 is a front view of the pipe fusing indicator;
FIG. 5 is a rear view of the pipe fusing indicator;
FIG. 6 is a top view of the pipe fusing indicator; and,
FIG. 7 is a bottom view of the pipe fusing indicator.

1 Claim, 5 Drawing Sheets



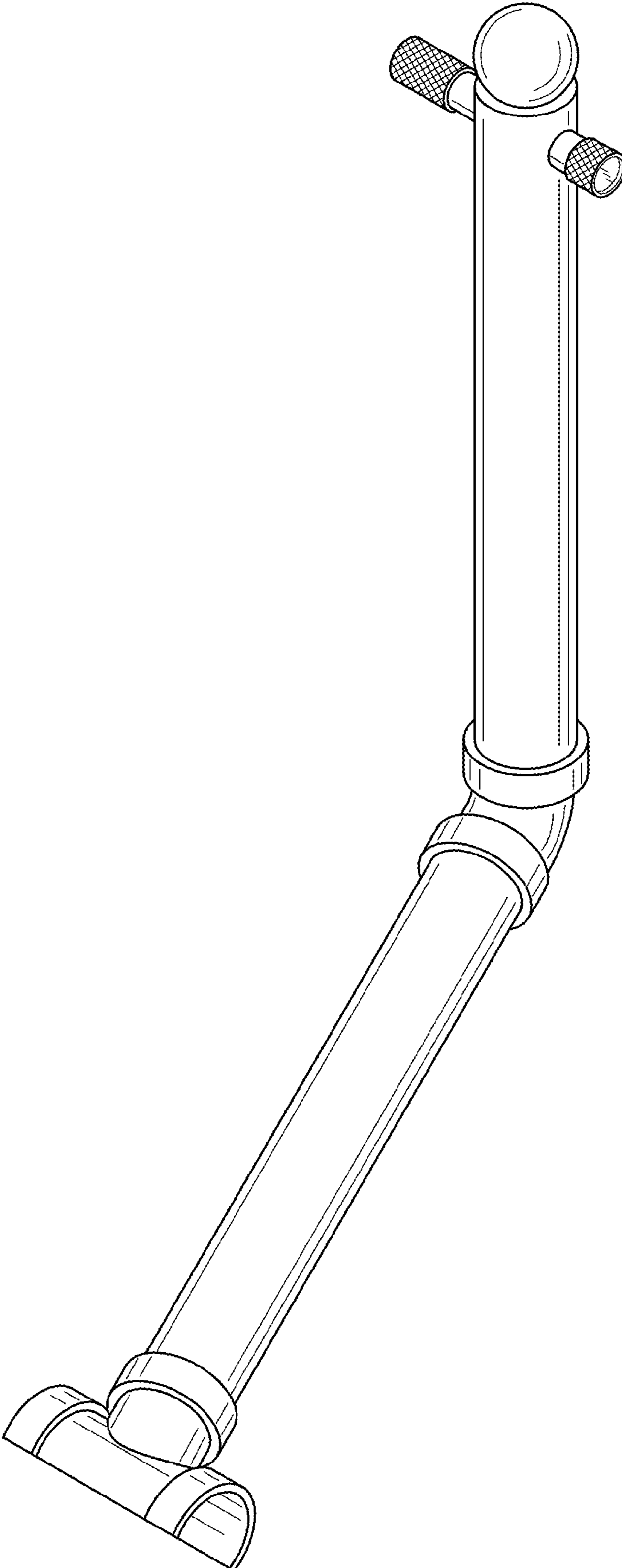


FIG. 1

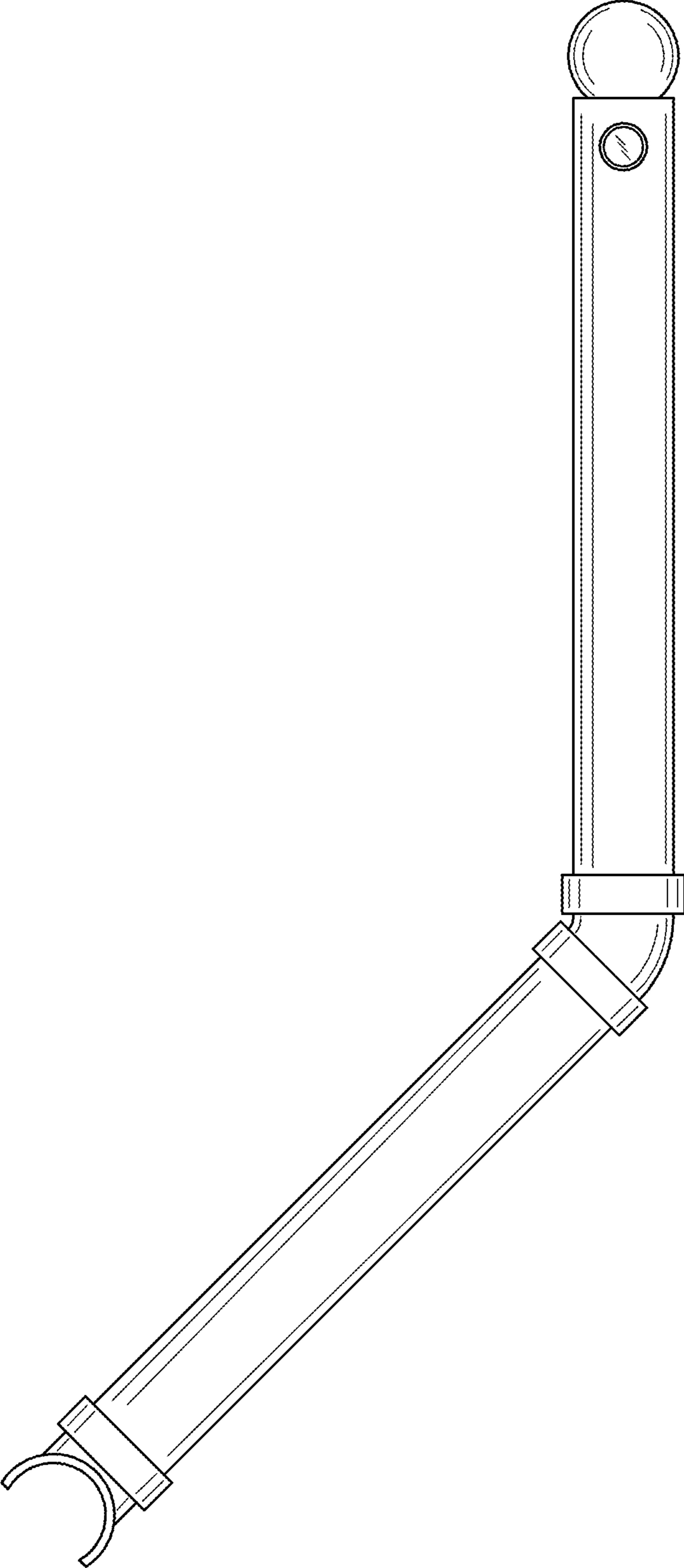


FIG. 2

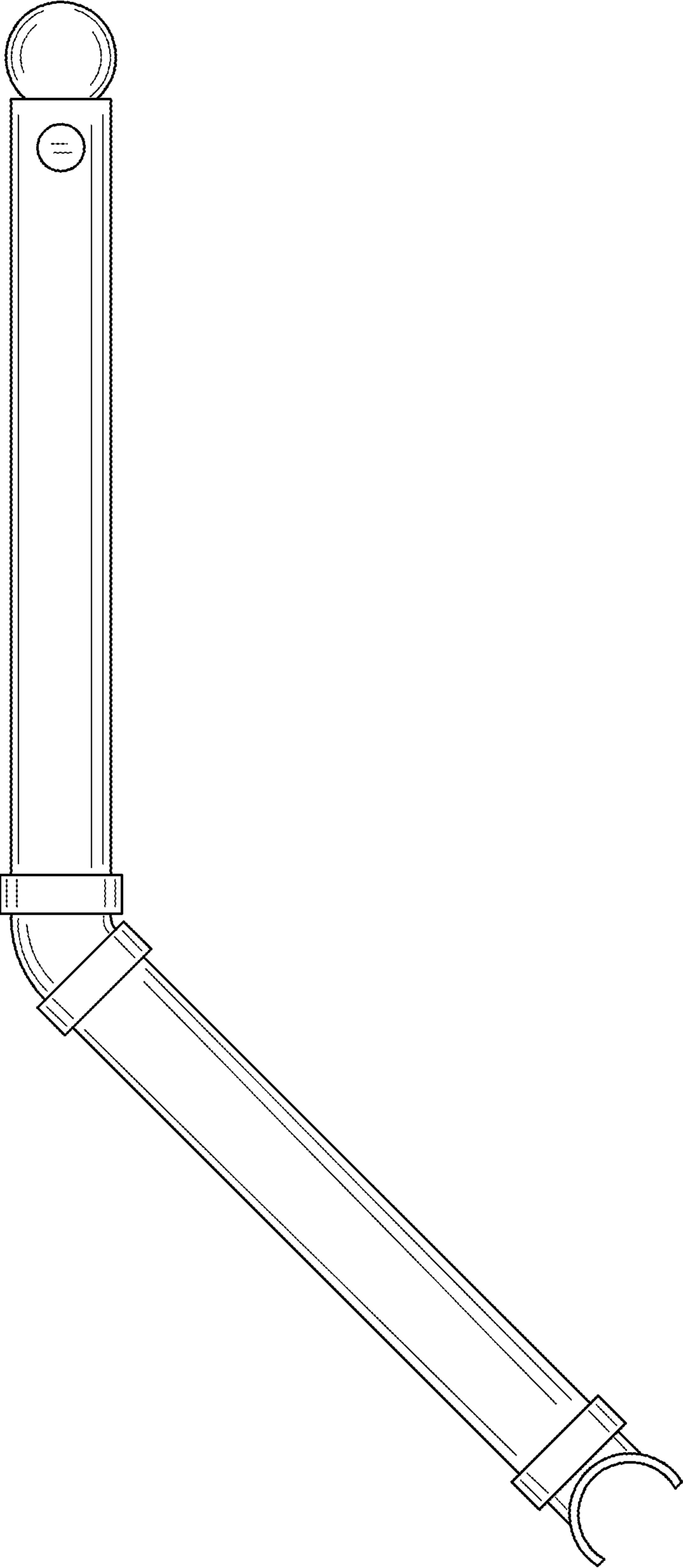


FIG. 3

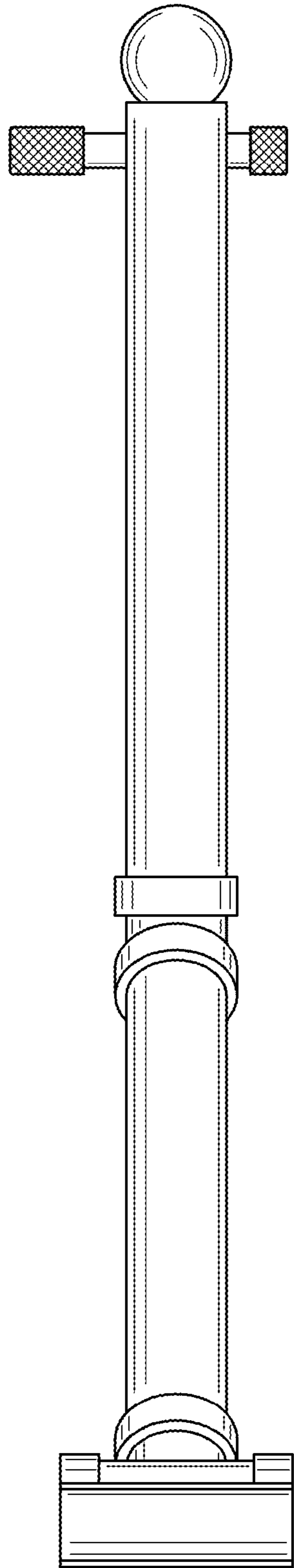


FIG. 4

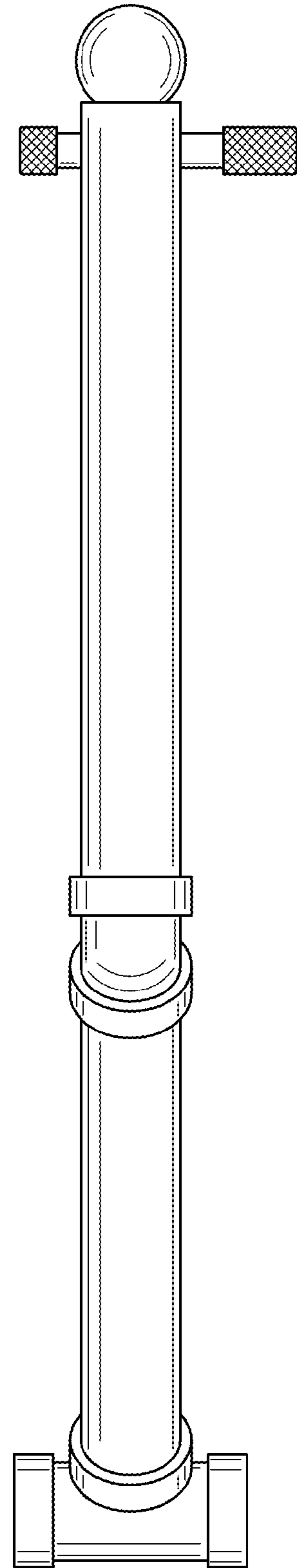


FIG. 5

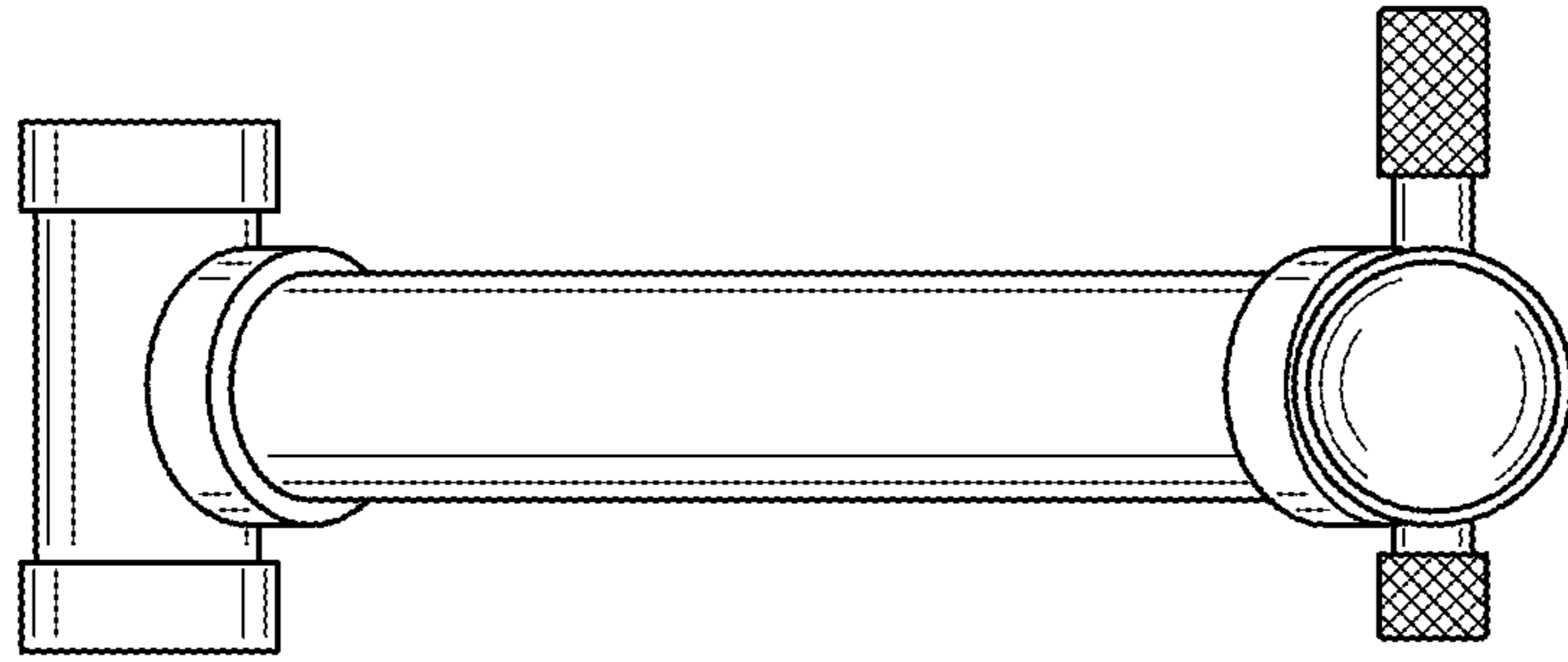


FIG. 6

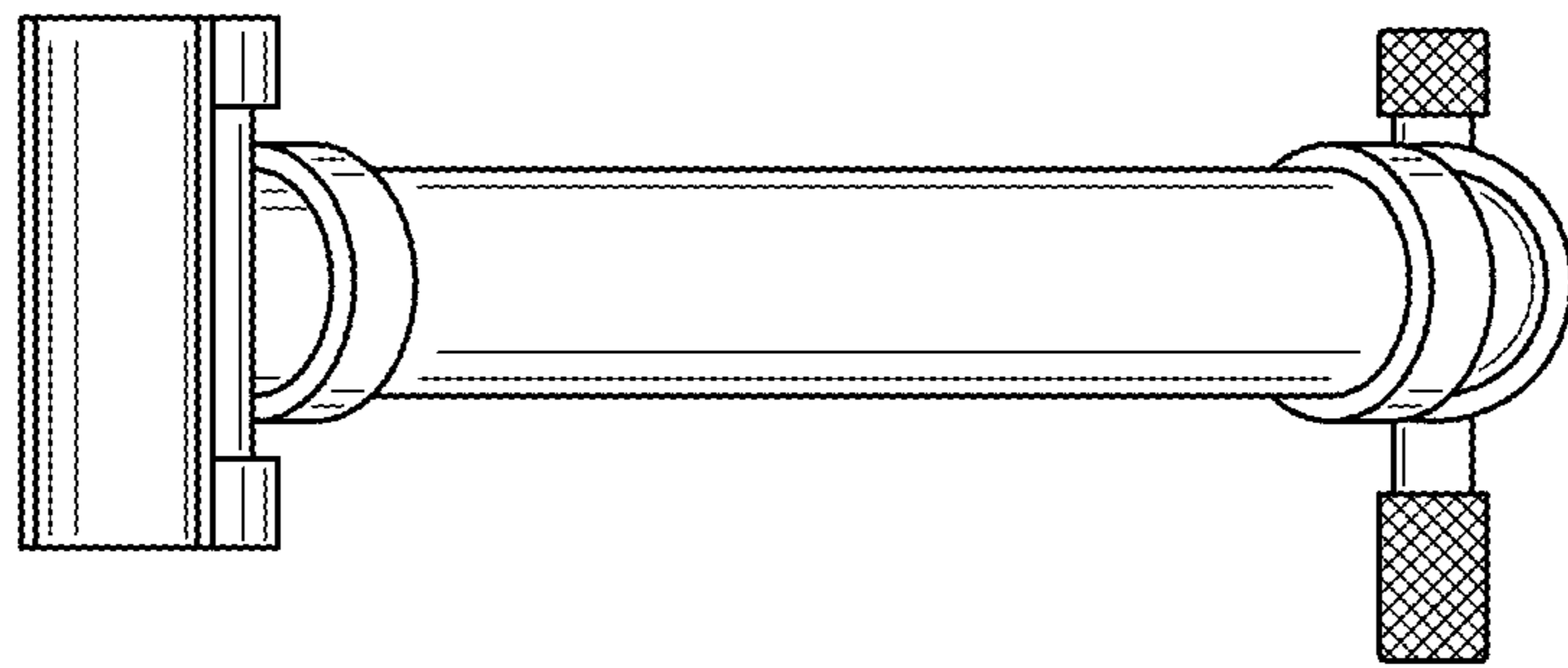


FIG. 7