



US00D983677S

(12) **United States Design Patent**  
**Zhao**

(10) **Patent No.:** **US D983,677 S**  
(45) **Date of Patent:** **\*\* Apr. 18, 2023**

- (54) **MEASURING LEVEL**
- (71) Applicant: **MAXEASY (SINGAPORE) PTE. LTD.**, Singapore (SG)
- (72) Inventor: **Xuehao Zhao**, Jinhua (CN)
- (73) Assignee: **MAXEASY (SINGAPORE) PTE. LTD.**, Singapore (SG)
- (\*\*) Term: **15 Years**
- (21) Appl. No.: **29/759,355**
- (22) Filed: **Nov. 22, 2020**
- (51) **LOC (14) Cl.** ..... **10-04**
- (52) **U.S. Cl.**  
USPC ..... **D10/69**
- (58) **Field of Classification Search**  
USPC ..... D10/65, 47, 56, 70; D22/109  
CPC . A47G 1/205; G01C 9/34; G01C 9/18; G01C 9/24; B25H 1/0085  
See application file for complete search history.

- 4,944,094 A \* 7/1990 Depiano ..... G01C 9/26  
33/332
- 5,044,087 A \* 9/1991 McAuslin ..... G01C 9/28  
D10/69
- D322,581 S \* 12/1991 Heath ..... D10/69
- D332,058 S \* 12/1992 Gruetzmacher ..... D10/69
- D363,033 S \* 10/1995 Doucet ..... D10/69
- D397,948 S \* 9/1998 Bowen ..... D10/69
- D399,437 S \* 10/1998 Hill ..... D10/69
- D407,335 S \* 3/1999 Bowen ..... D10/69
- 6,779,276 B1 \* 8/2004 Turner ..... G01C 9/34  
33/351
- D500,455 S \* 1/2005 Munoz ..... D10/101
- D527,661 S \* 9/2006 Liu ..... D10/69
- D553,519 S \* 10/2007 Crumley ..... D10/69
- D569,546 S \* 5/2008 Silcox ..... D27/142

(Continued)

**FOREIGN PATENT DOCUMENTS**

- CN 304918205 \* 11/2018
- CN 305070199 \* 3/2019

(Continued)

*Primary Examiner* — George D. Kirschbaum  
*Assistant Examiner* — Antoinette Martine Suiter

(57) **CLAIM**

The ornamental design for a measuring level, as shown and described.

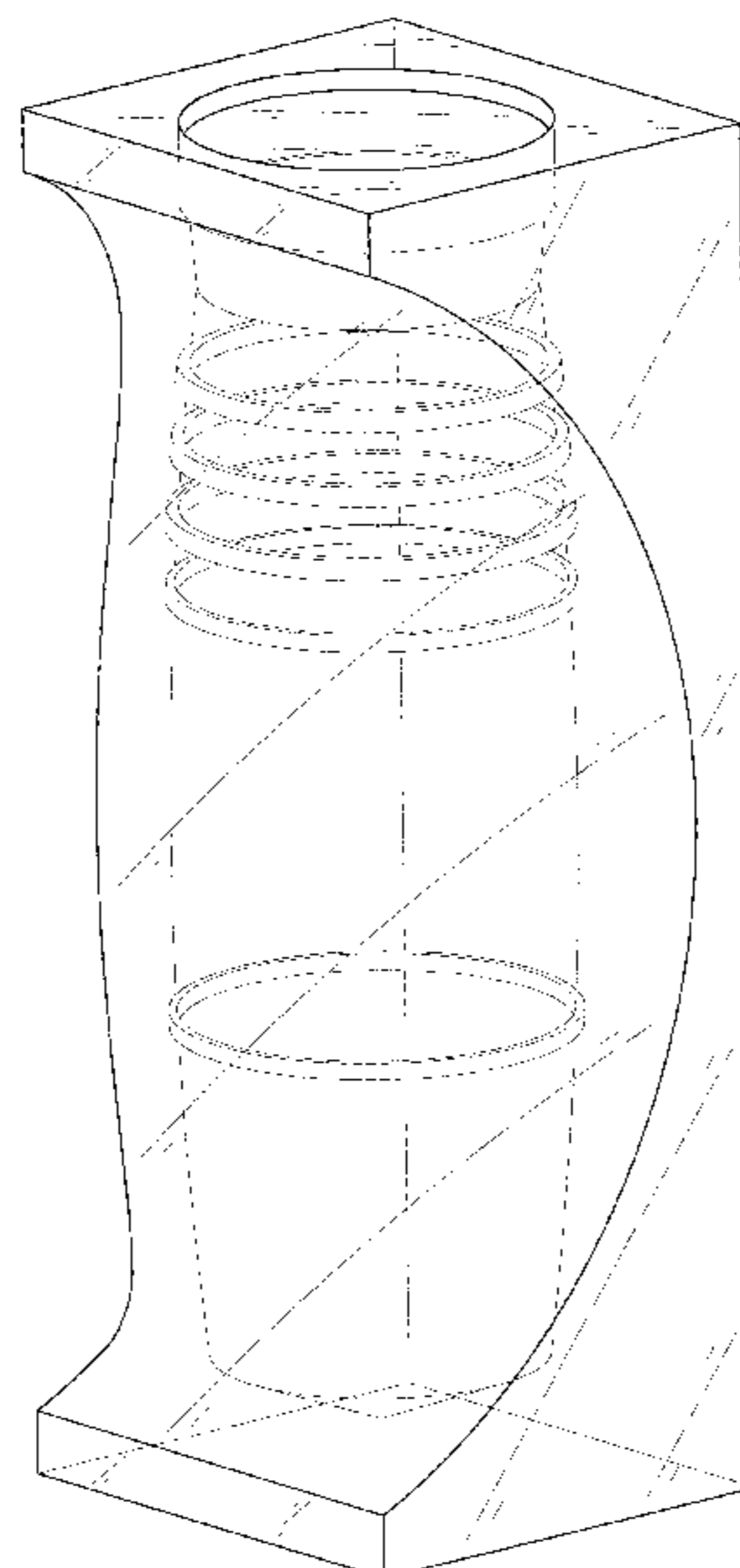
**DESCRIPTION**

FIG. 1 is a perspective view of a measuring level showing my new design;  
FIG. 2 is another perspective view thereof;  
FIG. 3 is a front elevational view thereof;  
FIG. 4 is a rear elevational view thereof;  
FIG. 5 is a left side elevational view thereof;  
FIG. 6 is a right side elevational view thereof;  
FIG. 7 is a top plan view thereof; and,  
FIG. 8 is a bottom plan view thereof.

**1 Claim, 8 Drawing Sheets**

(56) **References Cited**  
**U.S. PATENT DOCUMENTS**

- 1,318,162 A \* 10/1919 Loring ..... G01C 9/32  
D10/69
- D171,317 S \* 1/1954 Von Duyke ..... D10/69
- 2,770,888 A \* 11/1956 Von Duyke ..... G01C 9/34  
33/369
- D180,624 S \* 7/1957 Souter ..... D10/62
- 3,009,254 A \* 11/1961 Youngs ..... G01C 9/34  
33/379
- D222,723 S \* 12/1971 Ostrager ..... D10/69
- D257,671 S \* 12/1980 Elliott ..... D10/69
- D292,679 S \* 11/1987 Fincher ..... D10/69
- 4,843,724 A \* 7/1989 Greenland ..... G01C 9/28  
33/386
- 4,912,854 A \* 4/1990 Weadon ..... G01C 9/28  
33/379



(56)

**References Cited**

U.S. PATENT DOCUMENTS

D626,020 S \* 10/2010 Sabaschkow ..... D10/69  
 D678,087 S \* 3/2013 Bertani ..... D10/69  
 D703,564 S \* 4/2014 Steffahn ..... D10/101  
 D729,642 S \* 5/2015 Peterson ..... D10/63  
 D730,208 S \* 5/2015 Ben Josef ..... D10/69  
 D740,700 S \* 10/2015 Peterson ..... D10/69  
 D754,552 S \* 4/2016 Chi ..... D10/69  
 D768,517 S \* 10/2016 Chi ..... D10/69  
 D803,080 S \* 11/2017 Sanchez ..... D10/74  
 D906,467 S \* 12/2020 McCoy, II ..... G01C 9/28  
 D22/109  
 D908,517 S \* 1/2021 Rudick ..... D10/69  
 10,976,159 B1 \* 4/2021 Silberberg ..... G01C 9/28  
 D924,082 S \* 7/2021 Silberberg ..... D10/69  
 D943,432 S \* 2/2022 Blakely ..... D10/69  
 D968,920 S \* 11/2022 Fulbright ..... D10/69

2008/0222907 A1\* 9/2008 Silberberg ..... G01C 9/28  
 33/379  
 2011/0119938 A1\* 5/2011 Kildevaeld ..... G01C 9/24  
 33/292  
 2011/0162222 A1\* 7/2011 Ben-Josef ..... G01C 9/34  
 33/379  
 2011/0271537 A1\* 11/2011 Scheyer ..... G01C 9/32  
 33/379  
 2015/0308821 A1\* 10/2015 Zwing ..... B29C 45/16  
 264/250  
 2017/0003125 A1\* 1/2017 Chi ..... G01C 9/34

FOREIGN PATENT DOCUMENTS

CN 306645507 \* 6/2021  
 GB 6107859 \* 11/2020  
 RU 00127024 \* 8/2021

\* cited by examiner

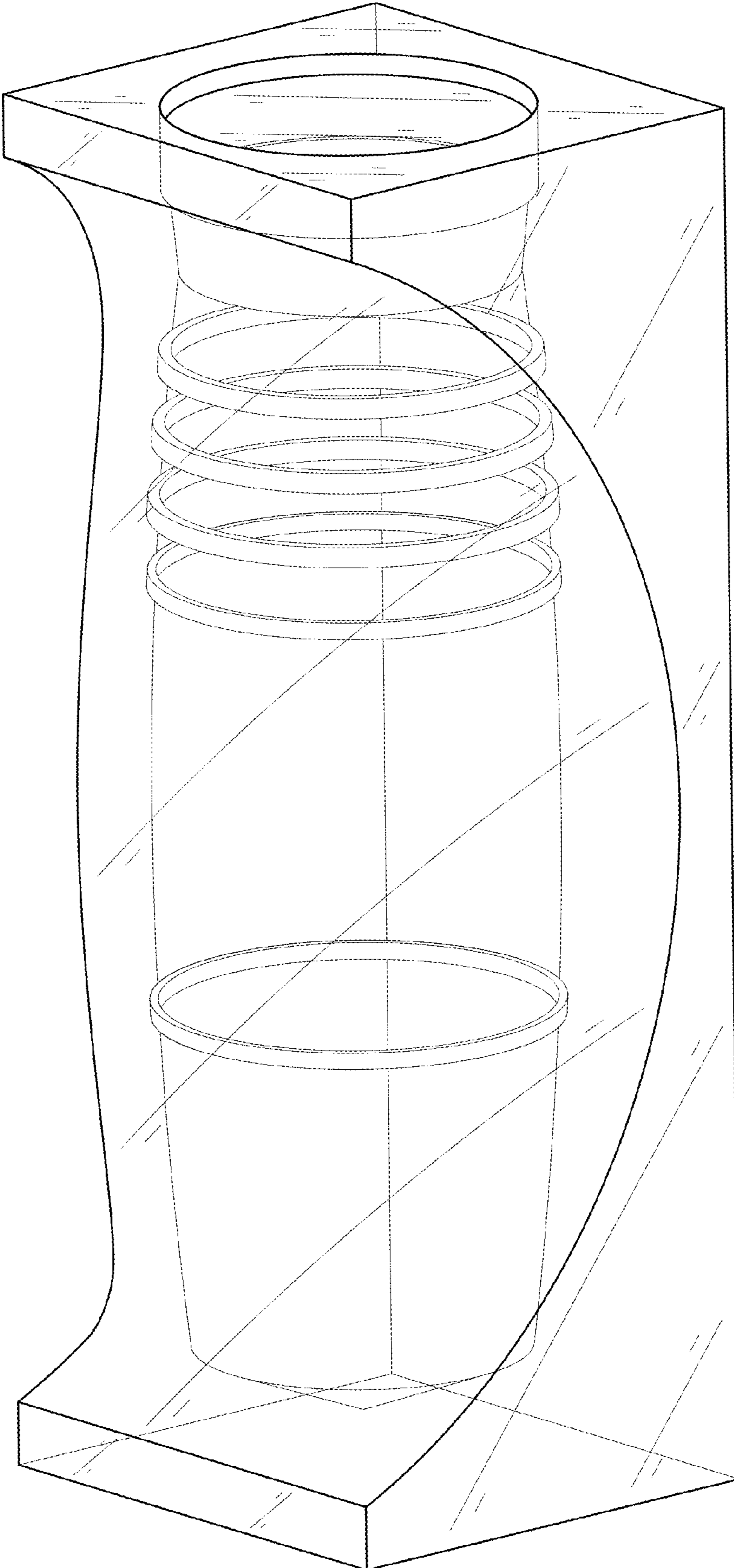


FIG. 1

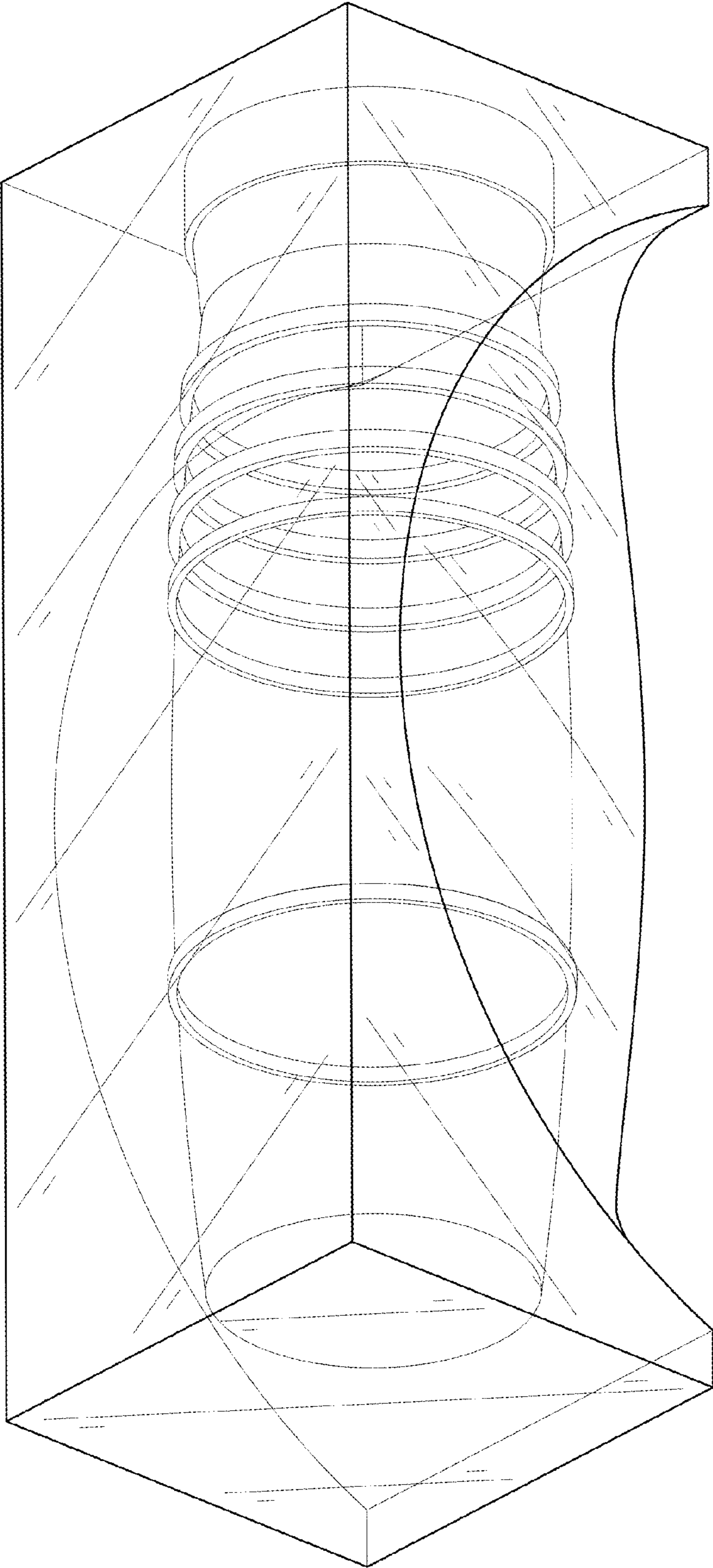


FIG. 2

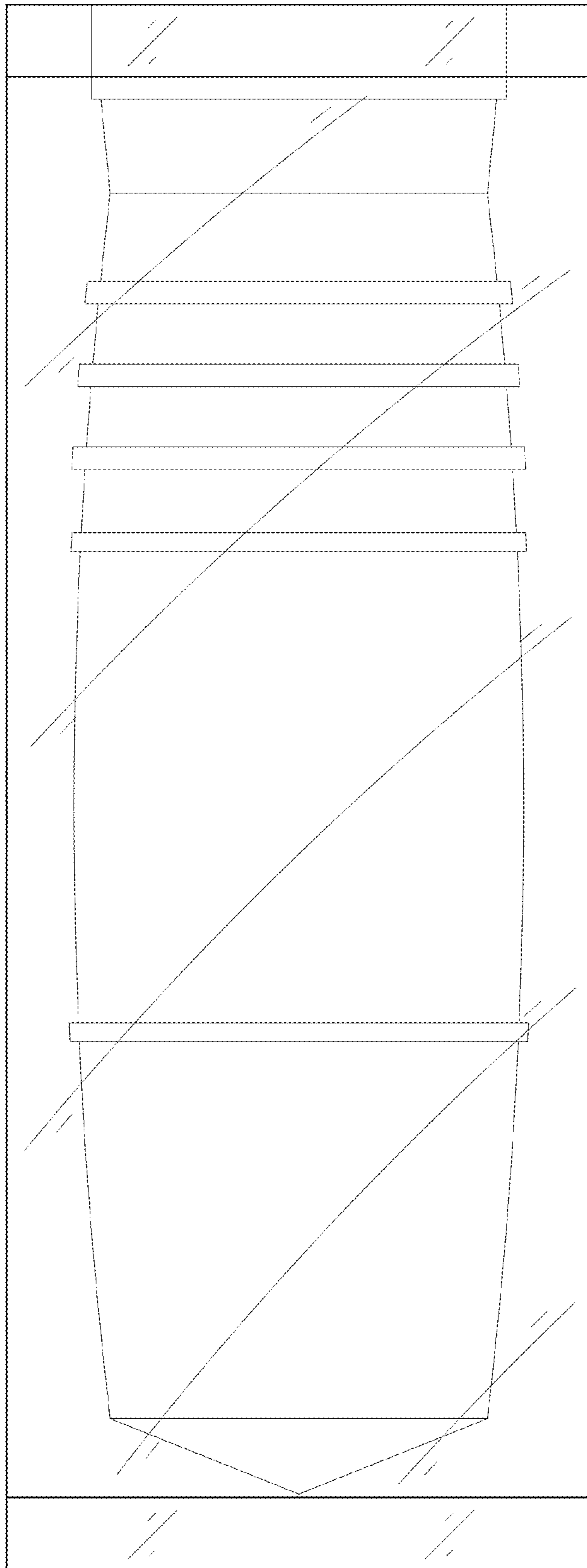


FIG. 3

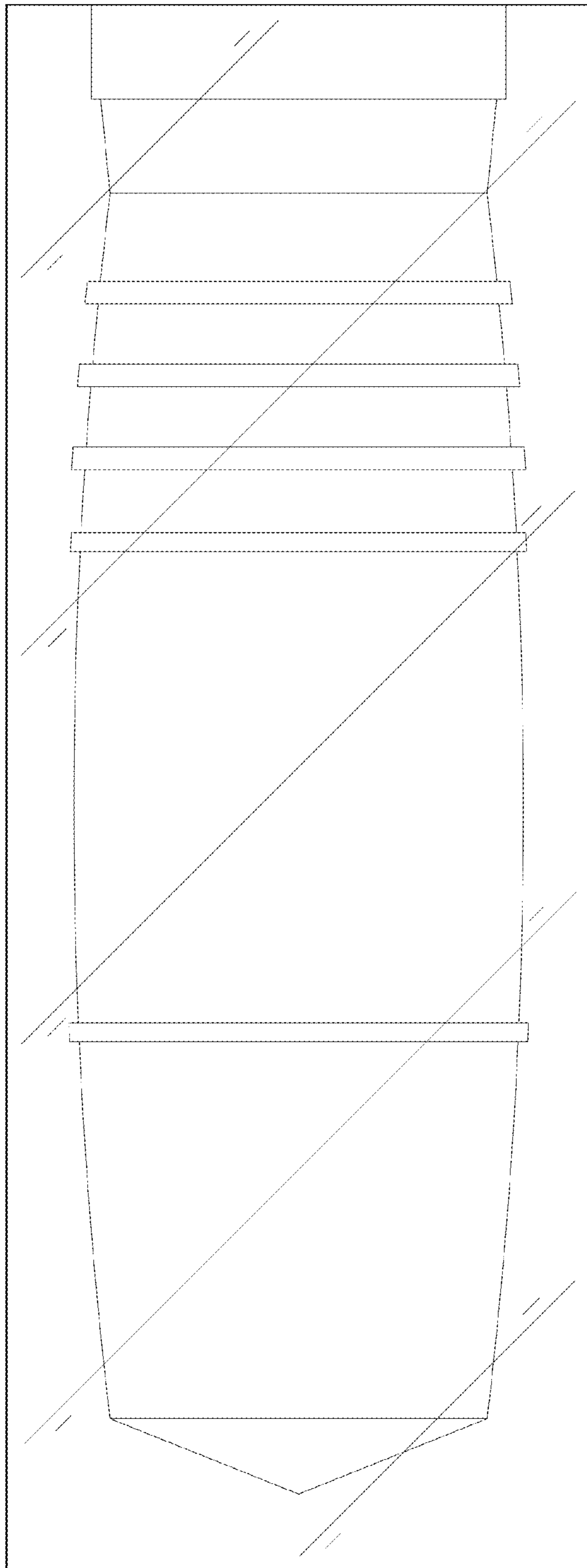


FIG. 4

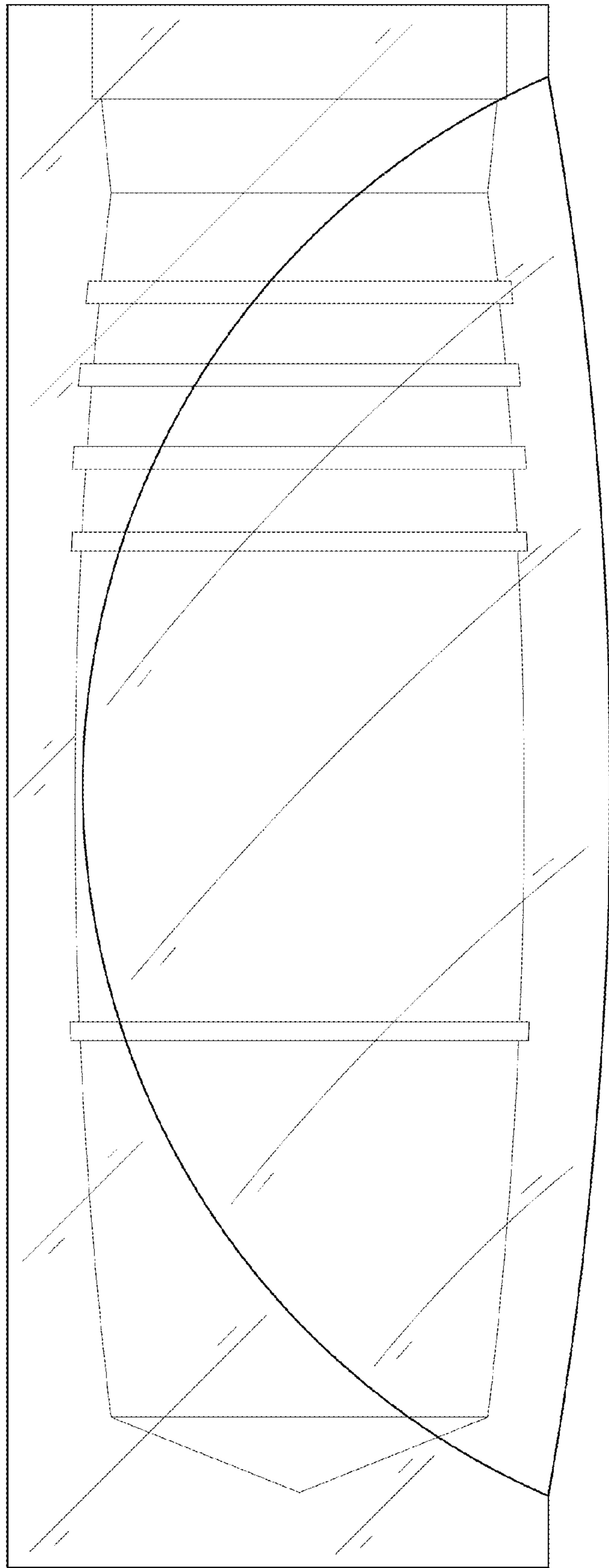


FIG. 5

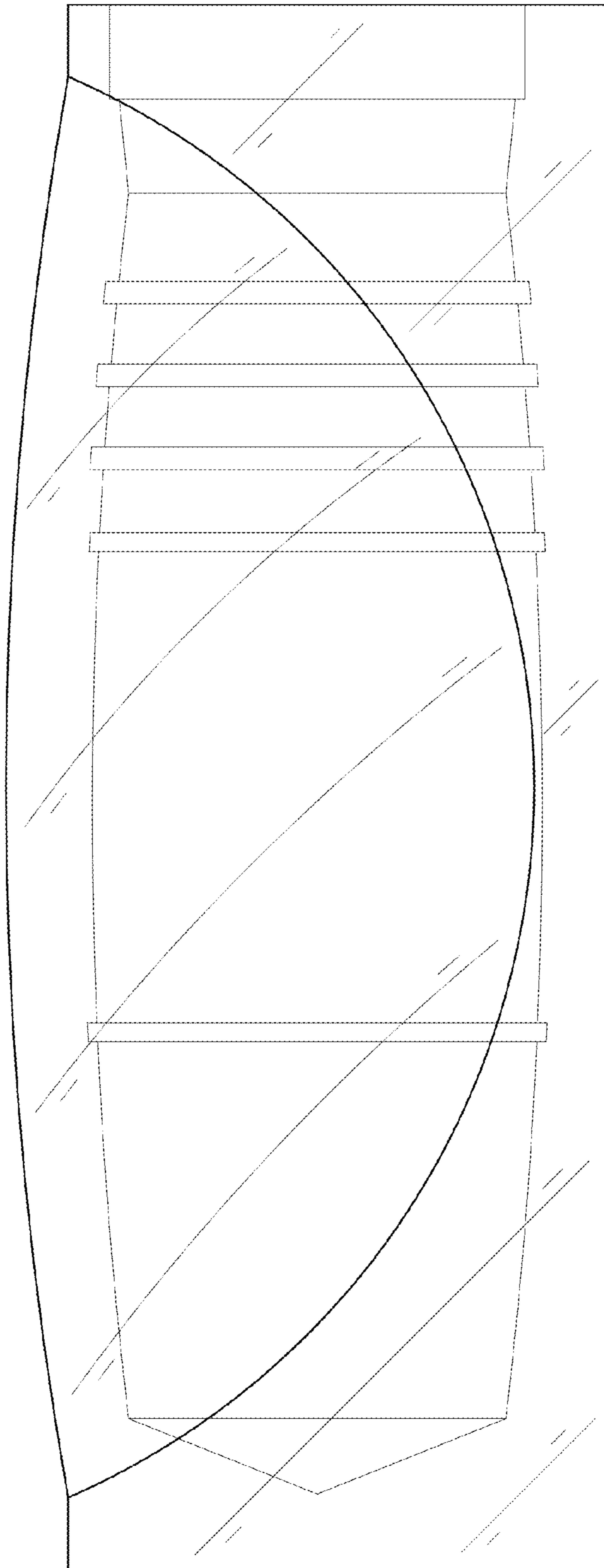


FIG. 6



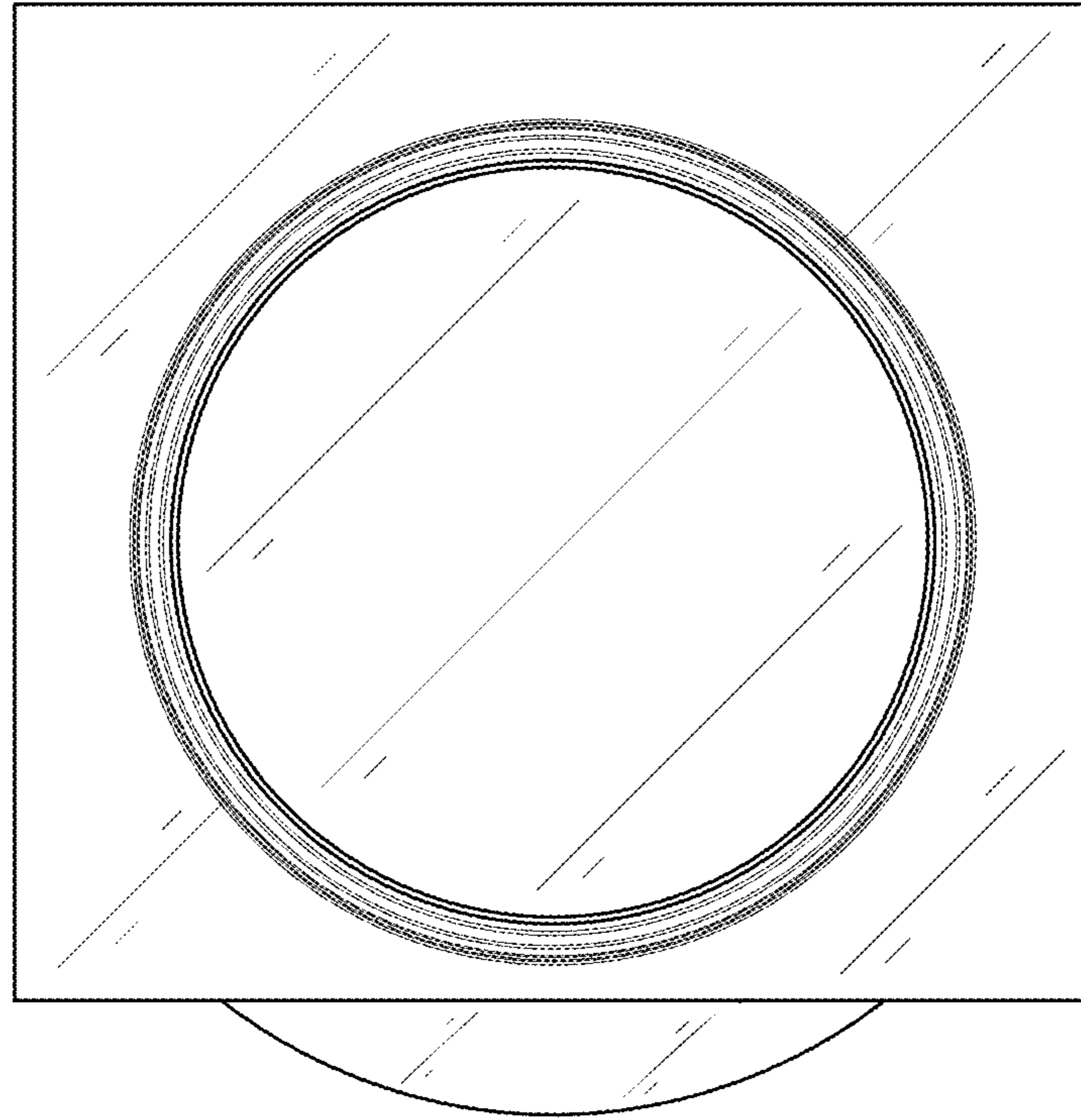


FIG. 7

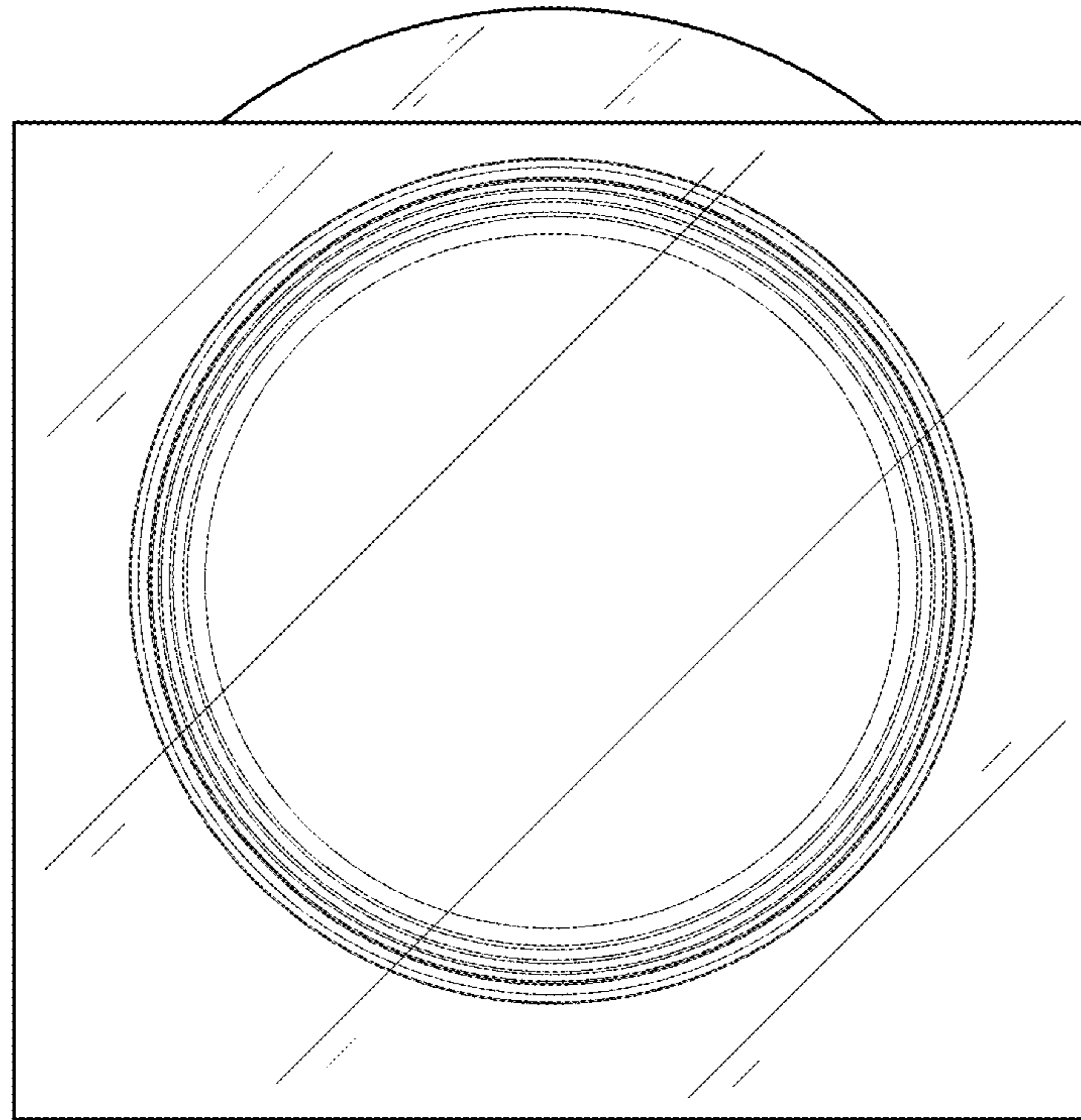


FIG. 8