



US00D983676S

(12) **United States Design Patent**
Fujino et al.

(10) **Patent No.:** **US D983,676 S**
(45) **Date of Patent:** **** Apr. 18, 2023**

(54) **ELECTRONIC THERMOMETER WITH WIRELESS COMMUNICATION DEVICE**

(71) Applicant: **OMRON HEALTHCARE Co., Ltd.**,
Kyoto (JP)

(72) Inventors: **Minoru Fujino**, Kyoto (JP); **Tsuyoshi Ogihara**, Kyoto (JP)

(73) Assignee: **OMRON HEALTHCARE Co., Ltd.**,
Kyoto (JP)

(**) Term: **15 Years**

(21) Appl. No.: **29/786,081**

(22) Filed: **May 28, 2021**

(30) **Foreign Application Priority Data**

Dec. 2, 2020 (JP) 2020-025962 D

(51) **LOC (14) Cl.** **10-04**

(52) **U.S. Cl.**
USPC **D10/57**

(58) **Field of Classification Search**
USPC D10/57
CPC G01K 1/08; G01K 13/20; G01K 13/223;
G01K 13/25; G01K 13/252; G01K 1/083;
G01K 1/18; G01K 13/002; G01J 5/04;
G01J 5/041; G01J 5/042; G01J 5/043;
G01J 5/044; G01J 5/045; G01J 5/046;
G01J 5/047; G01J 5/048; G01J 5/049;
G01J 5/0265

See application file for complete search history.

(56) **References Cited**

U.S. PATENT DOCUMENTS

4,729,672 A * 3/1988 Takagi G01K 13/20
374/185
4,743,121 A * 5/1988 Takagi G01K 13/20
264/328.8

D346,120 S * 4/1994 Yoshikawa D10/60
7,778,791 B2 * 8/2010 Nakamura G01K 13/20
374/100
8,025,438 B2 * 9/2011 Nakamura G01K 13/20
374/102

(Continued)

FOREIGN PATENT DOCUMENTS

JP 2007024529 A * 2/2007 G01K 13/002
WO WO-2010109827 A1 * 9/2010 G01K 13/002

Primary Examiner — Antoine Duval Davis

(74) *Attorney, Agent, or Firm* — Capitol City TechLaw

(57) **CLAIM**

The ornamental design for an electronic thermometer with wireless communication device, as shown and described.

DESCRIPTION

FIG. 1 is a front, top, and left side perspective view of an electronic thermometer with wireless communication device, showing our new design;

FIG. 2 is a rear, bottom, and left side perspective view thereof;

FIG. 3 is a front view thereof;

FIG. 4 is a rear view thereof;

FIG. 5 is a top view thereof;

FIG. 6 is a bottom view thereof;

FIG. 7 is a right side view thereof;

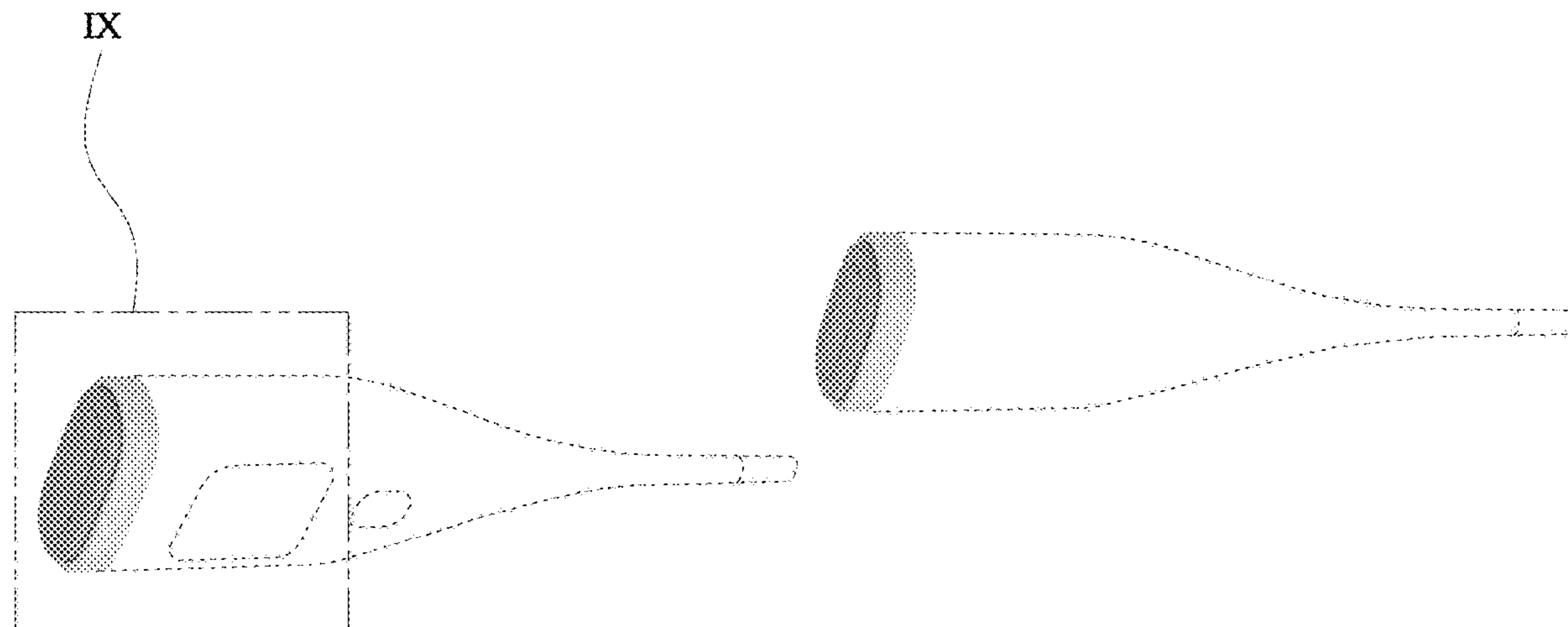
FIG. 8 is a left side view thereof;

FIG. 9 is an enlarged view of the circumscribed area IX in FIG. 1; and,

FIG. 10 is a front, top, and left side perspective view of the left portion thereof, shown at an enlarged scale.

The dashed broken lines in the figures illustrate portions of the electronic thermometer with wireless communication device that form no part of the claimed design. The dot-dot-dashed broken lines in FIGS. 1 and 9 circumscribe the enlarged views and form no part of the claimed design.

1 Claim, 5 Drawing Sheets



(56)

References Cited

U.S. PATENT DOCUMENTS

D730,205 S *	5/2015	Juhng	G01K 13/20
			D10/57
D852,069 S *	6/2019	Fu	G01K 13/20
			D10/57

* cited by examiner

FIG. 1

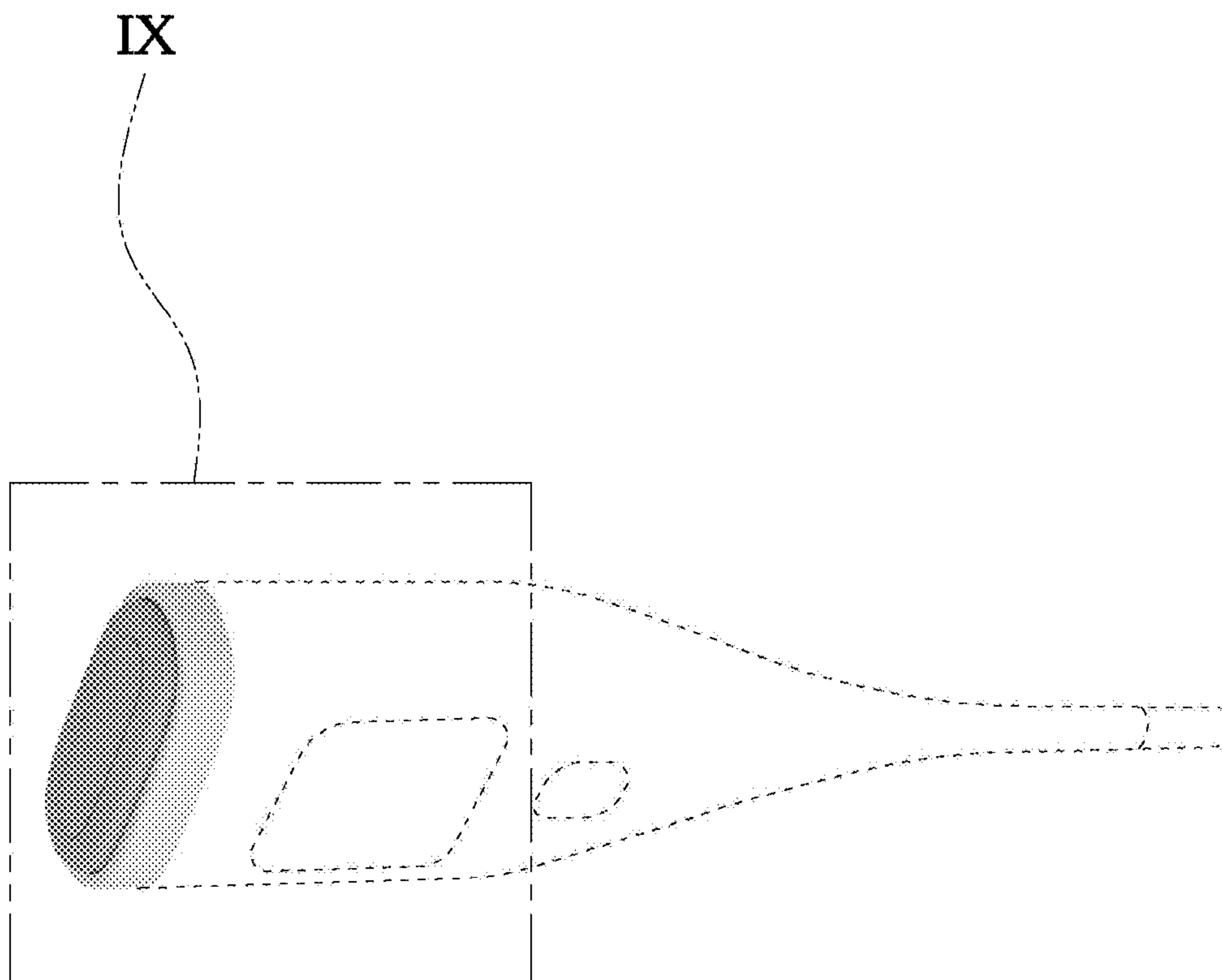


FIG. 2

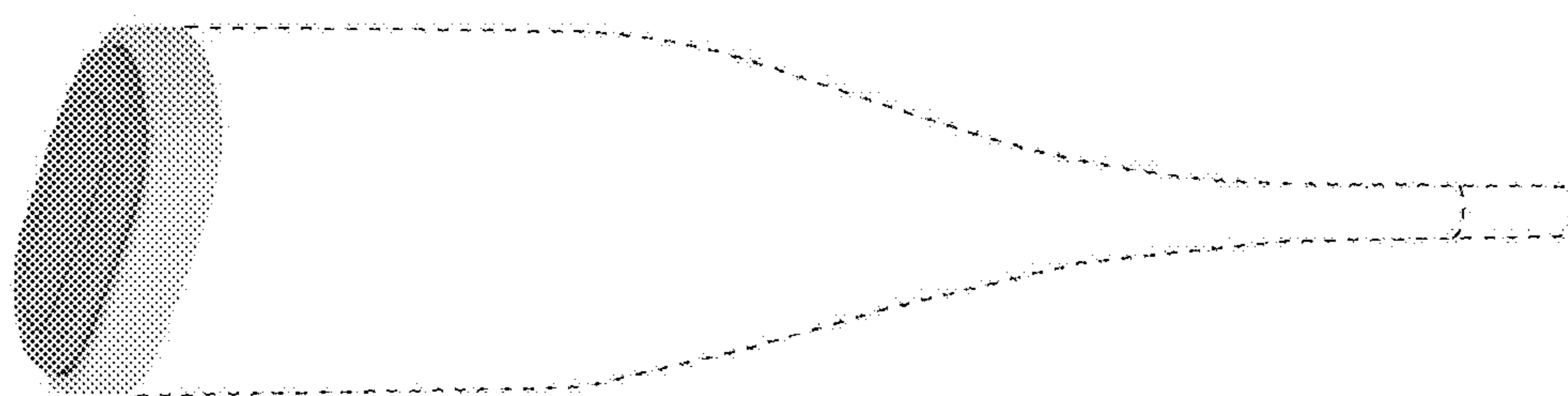


FIG. 3

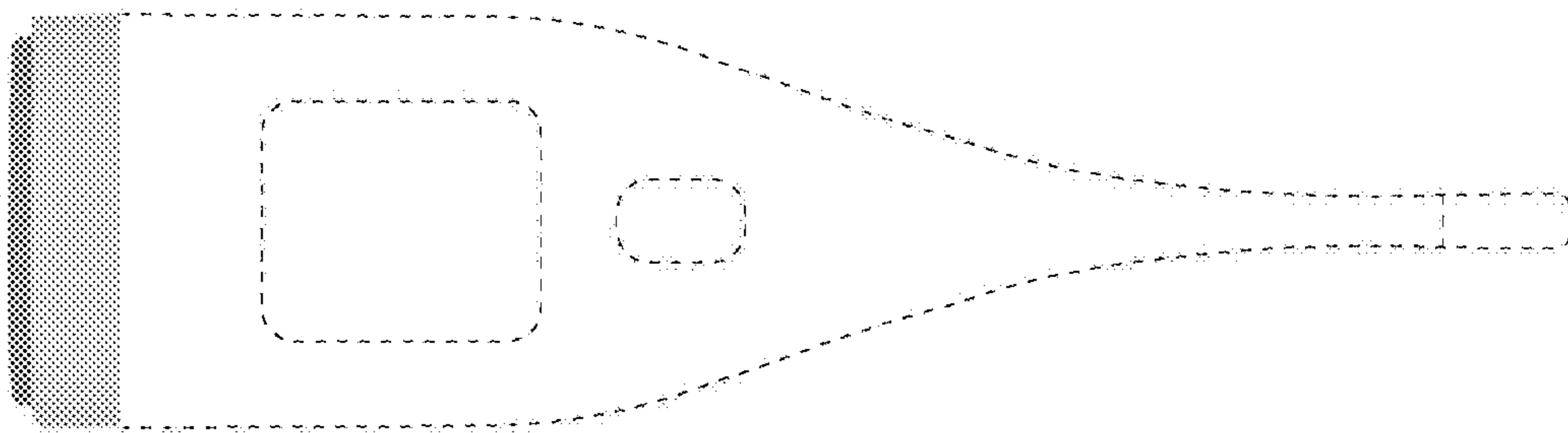


FIG. 4

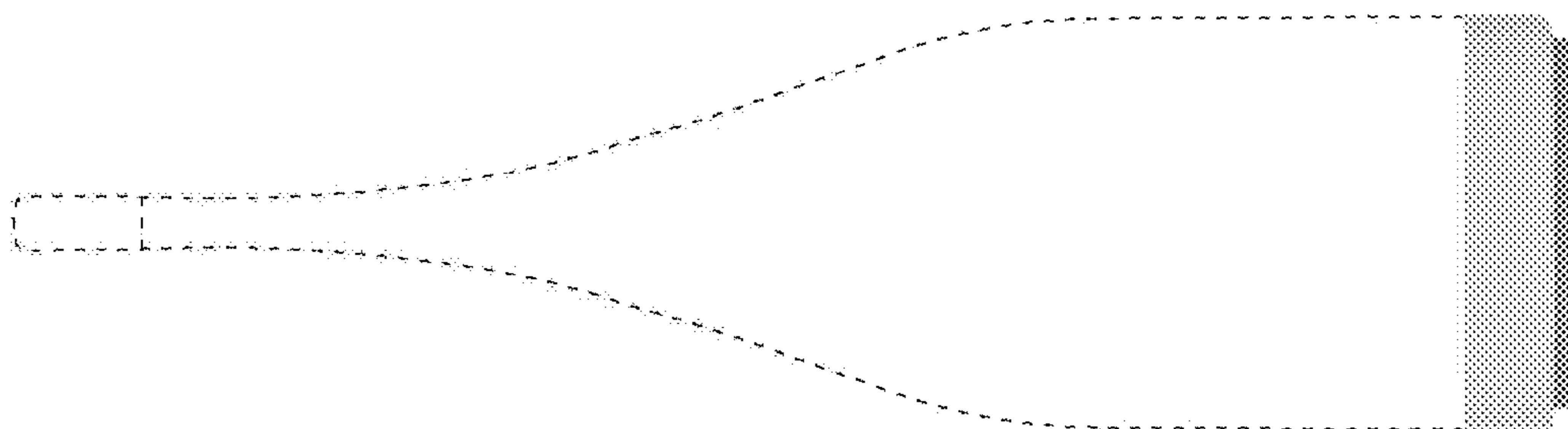


FIG. 5

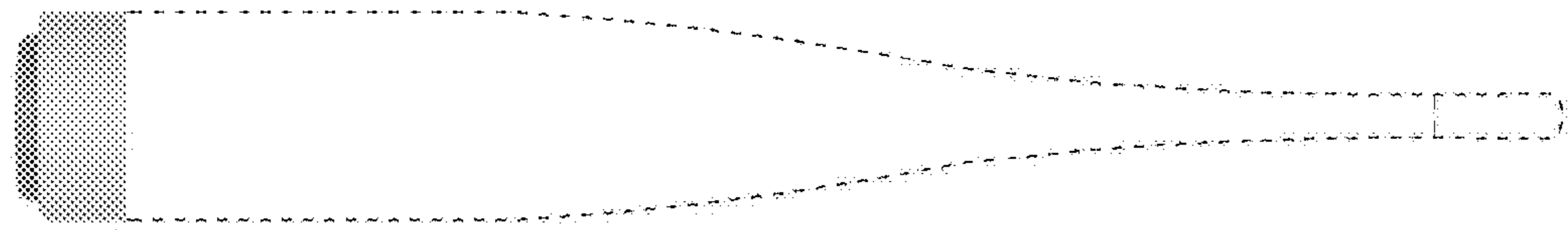


FIG. 6

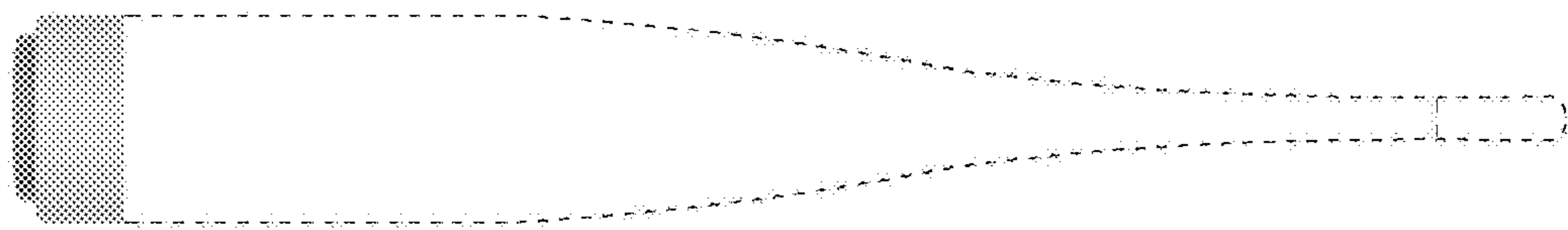


FIG. 7

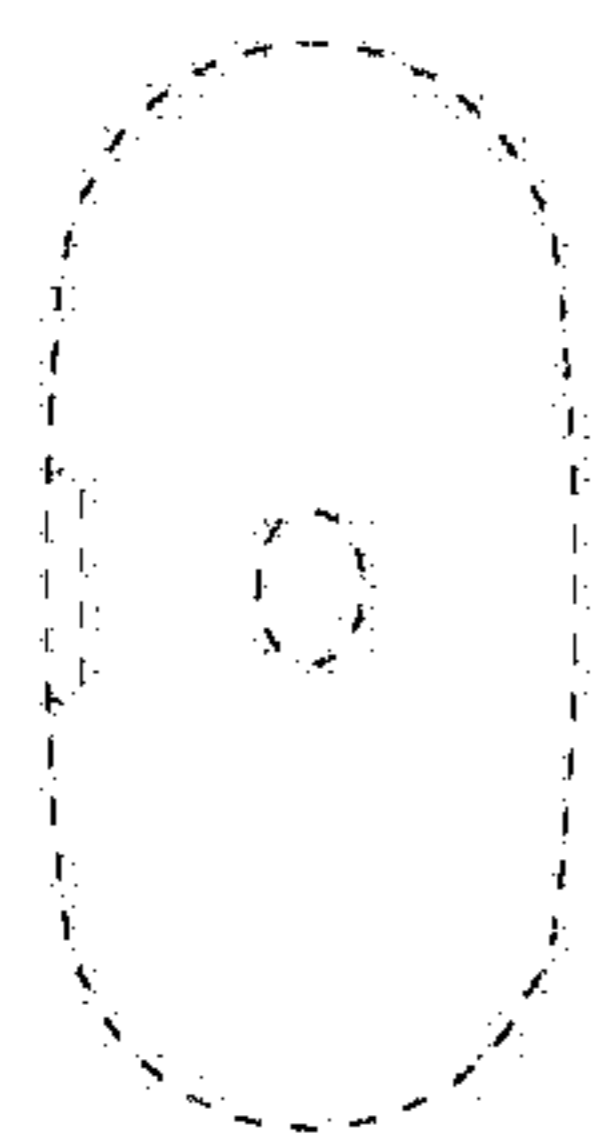


FIG. 8

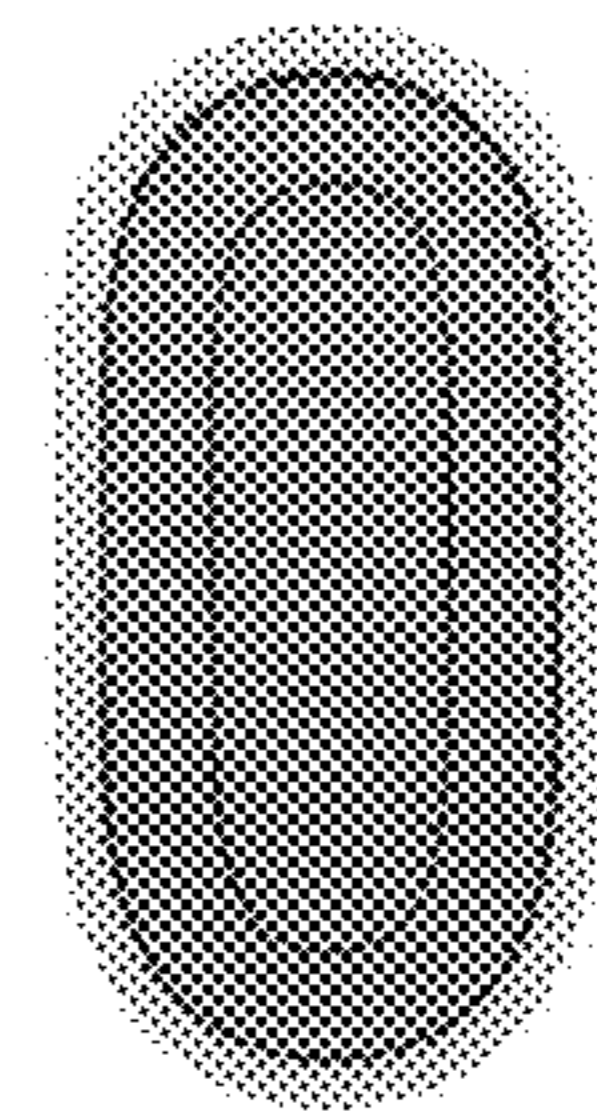


FIG. 9

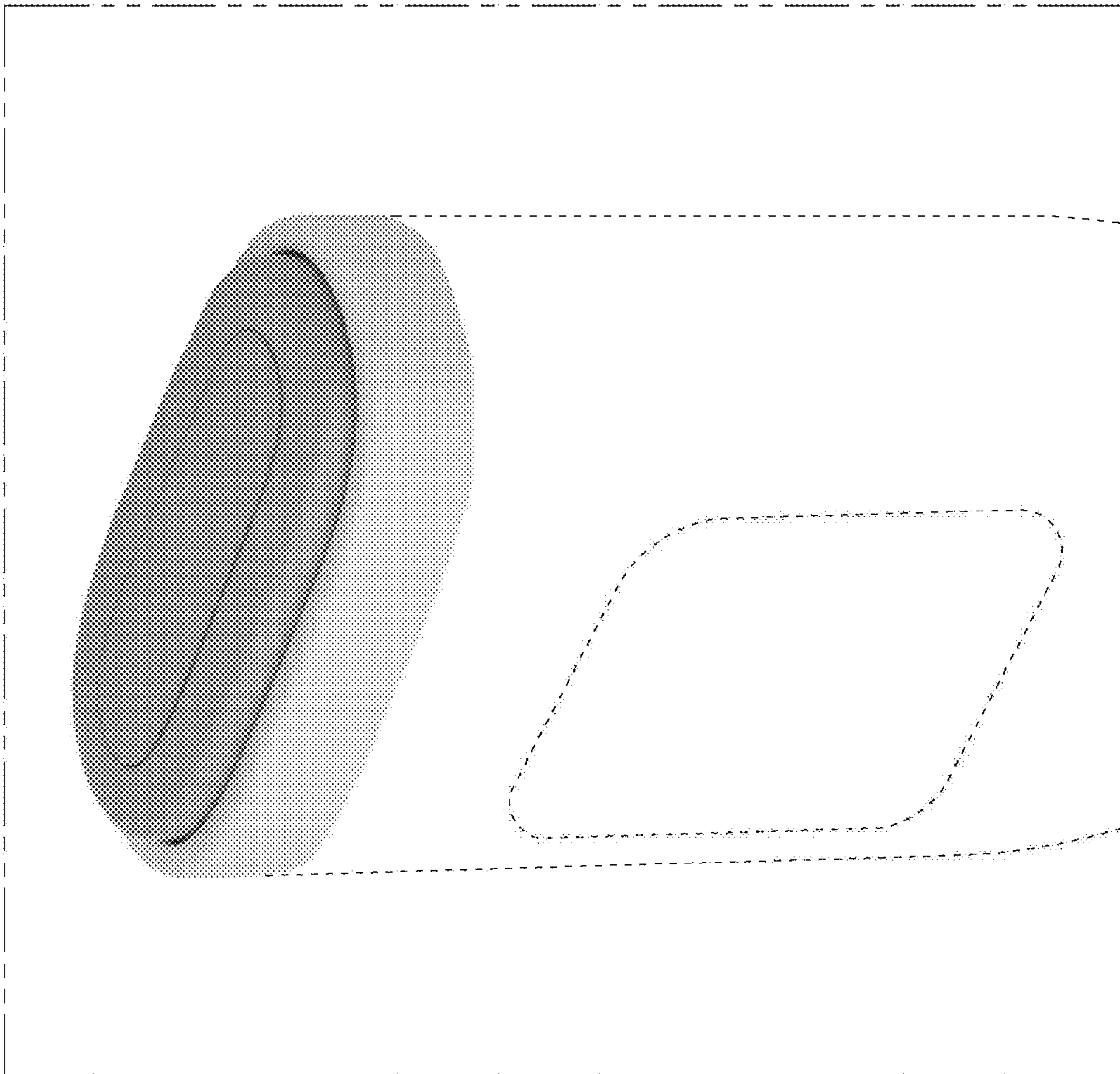


FIG. 10

