



US00D983675S

(12) **United States Design Patent**
Fujino et al.

(10) **Patent No.:** **US D983,675 S**
(45) **Date of Patent:** **** Apr. 18, 2023**

(54) **ELECTRONIC THERMOMETER WITH WIRELESS COMMUNICATION DEVICE**

(71) Applicant: **OMRON HEALTHCARE Co., Ltd.**,
Kyoto (JP)

(72) Inventors: **Minoru Fujino**, Kyoto (JP); **Tsuyoshi Ogihara**, Kyoto (JP)

(73) Assignee: **OMRON HEALTHCARE Co., Ltd.**,
Kyoto (JP)

(**) Term: **15 Years**

(21) Appl. No.: **29/786,039**

(22) Filed: **May 28, 2021**

(30) **Foreign Application Priority Data**

Dec. 2, 2020 (JP) 2020-025961 D

(51) **LOC (14) Cl.** **10-04**

(52) **U.S. Cl.**
USPC **D10/57**

(58) **Field of Classification Search**
USPC D10/57
CPC G01K 1/08; G01K 13/20; G01K 13/223;
G01K 13/25; G01K 13/252; G01K 1/083;
G01K 1/18; G01K 13/002; G01J 5/04;
G01J 5/041; G01J 5/042; G01J 5/043;
G01J 5/044; G01J 5/045; G01J 5/046;
G01J 5/047; G01J 5/048; G01J 5/049;
G01J 5/0265

See application file for complete search history.

(56) **References Cited**

U.S. PATENT DOCUMENTS

4,729,672 A * 3/1988 Takagi G01K 13/20
374/185
4,743,121 A * 5/1988 Takagi G01K 13/20
264/328.8

D346,120 S * 4/1994 Yoshikawa D10/60
7,778,791 B2 * 8/2010 Nakamura G01K 13/20
374/100
8,025,438 B2 * 9/2011 Nakamura G01K 13/20
374/102
D730,205 S * 5/2015 Juhng G01K 13/20
D10/57

(Continued)

FOREIGN PATENT DOCUMENTS

JP 2007024529 A * 2/2007 G01K 13/002
WO WO-2010109827 A1 * 9/2010 G01K 13/002

Primary Examiner — Antoine Duval Davis

(74) *Attorney, Agent, or Firm* — Capitol City TechLaw

(57) **CLAIM**

The ornamental design for an electronic thermometer with wireless communication device, as shown and described.

DESCRIPTION

FIG. 1 is a front, top, and left side perspective view of an electronic thermometer with wireless communication device, showing our new design;

FIG. 2 is a rear, bottom, and left side perspective view thereof;

FIG. 3 is a front view thereof;

FIG. 4 is a rear view thereof;

FIG. 5 is a top view thereof;

FIG. 6 is a bottom view thereof;

FIG. 7 is a right side view thereof;

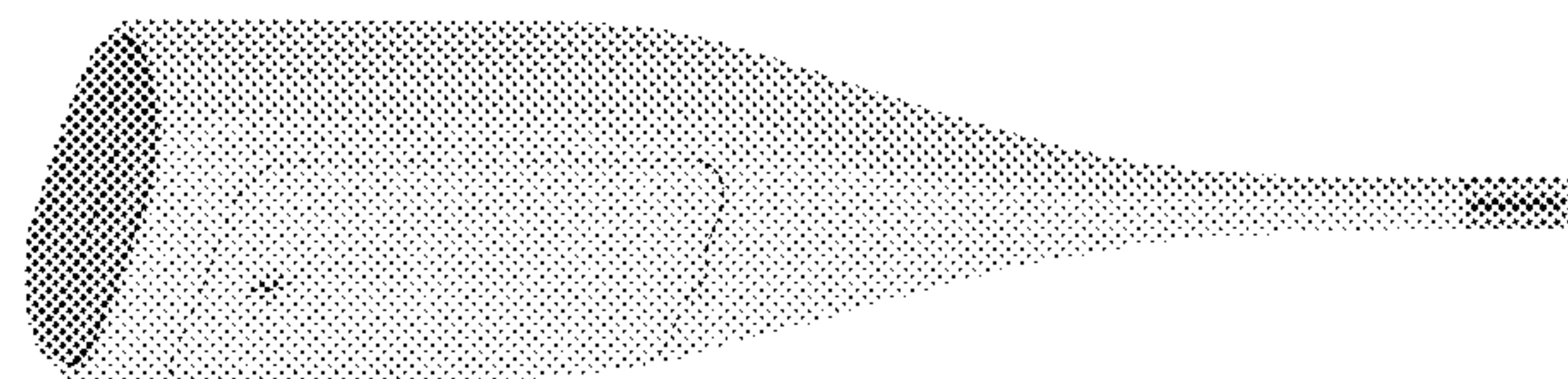
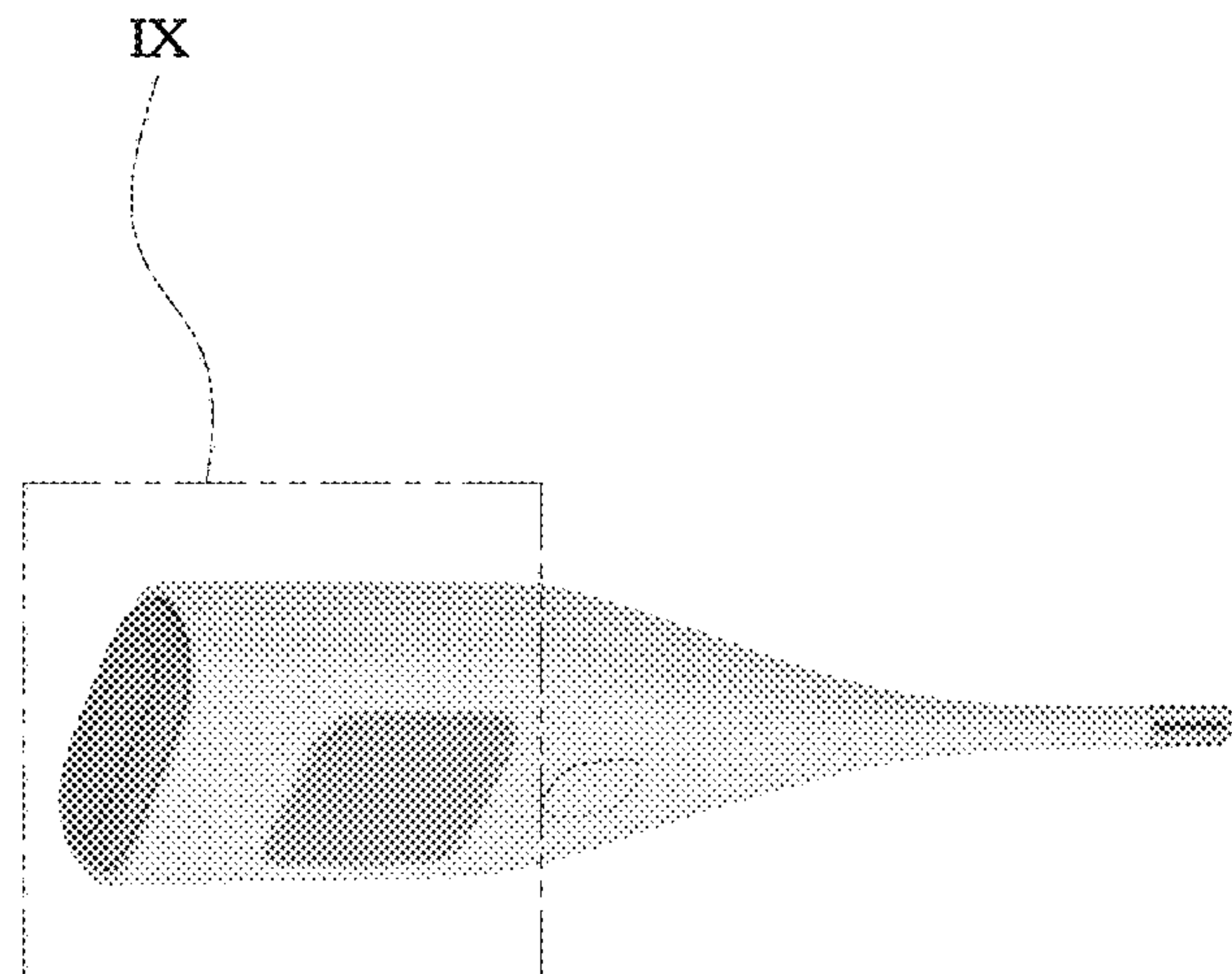
FIG. 8 is a left side view thereof;

FIG. 9 is an enlarged view of the circumscribed area IX in FIG. 1; and,

FIG. 10 is a front, top, and left side perspective view of the left portion thereof, shown at an enlarged scale.

The dot-dot-dashed broken lines in FIGS. 1 and 9 circumscribe the enlarged views and form no part of the claimed design.

1 Claim, 5 Drawing Sheets



(56)

References Cited

U.S. PATENT DOCUMENTS

D852,069 S * 6/2019 Fu G01K 13/20
D10/57

* cited by examiner

FIG. 1

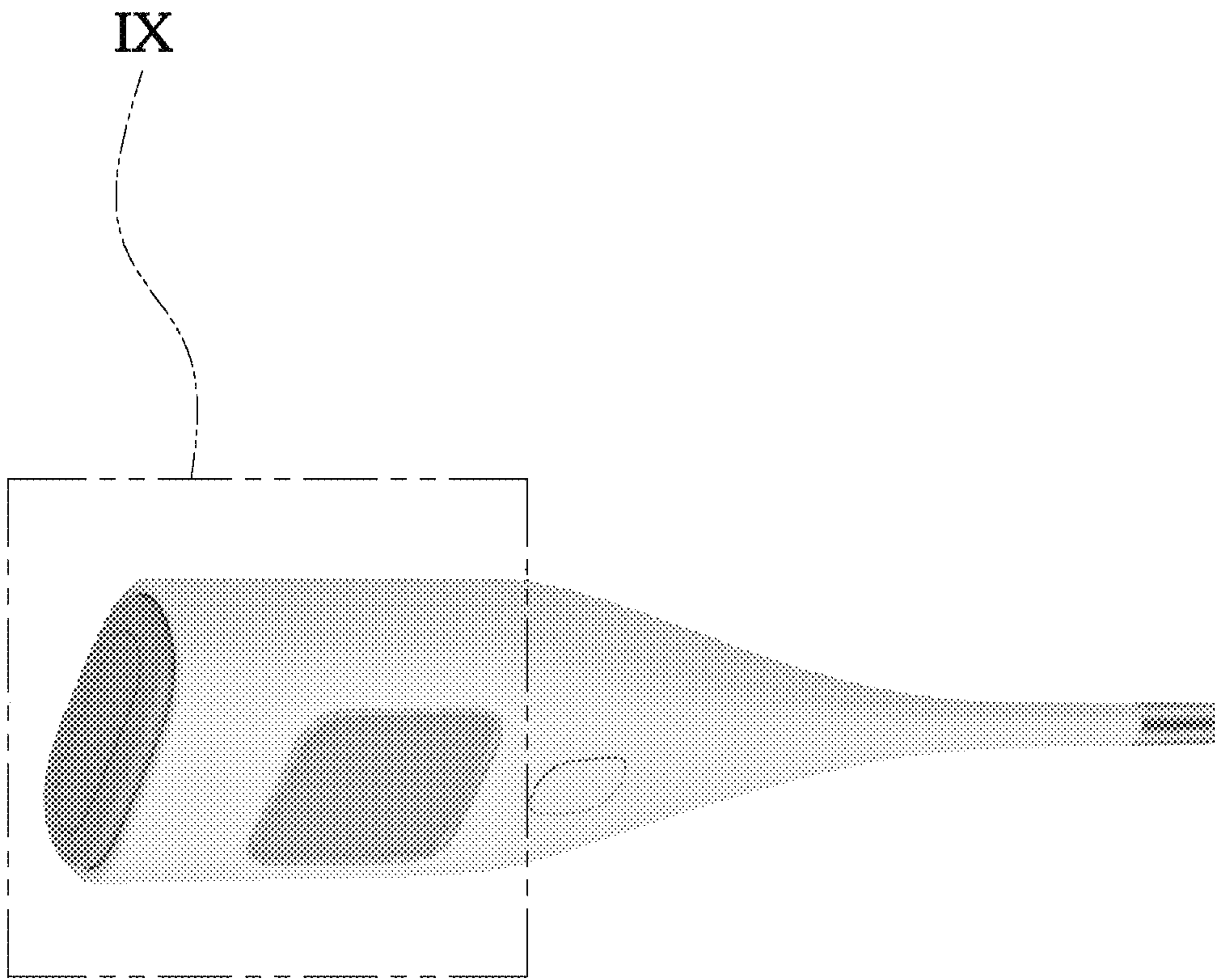


FIG. 2

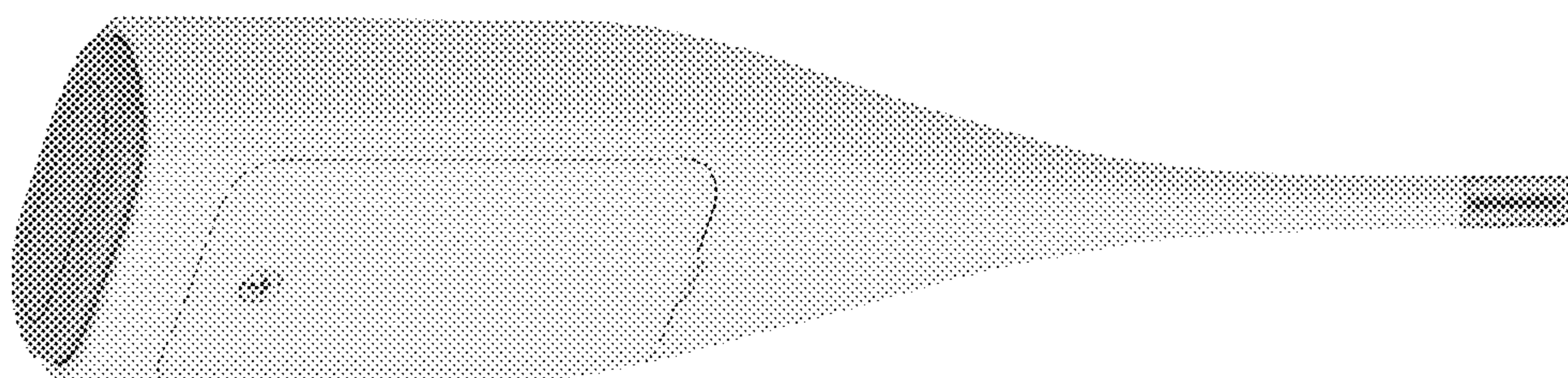


FIG. 3

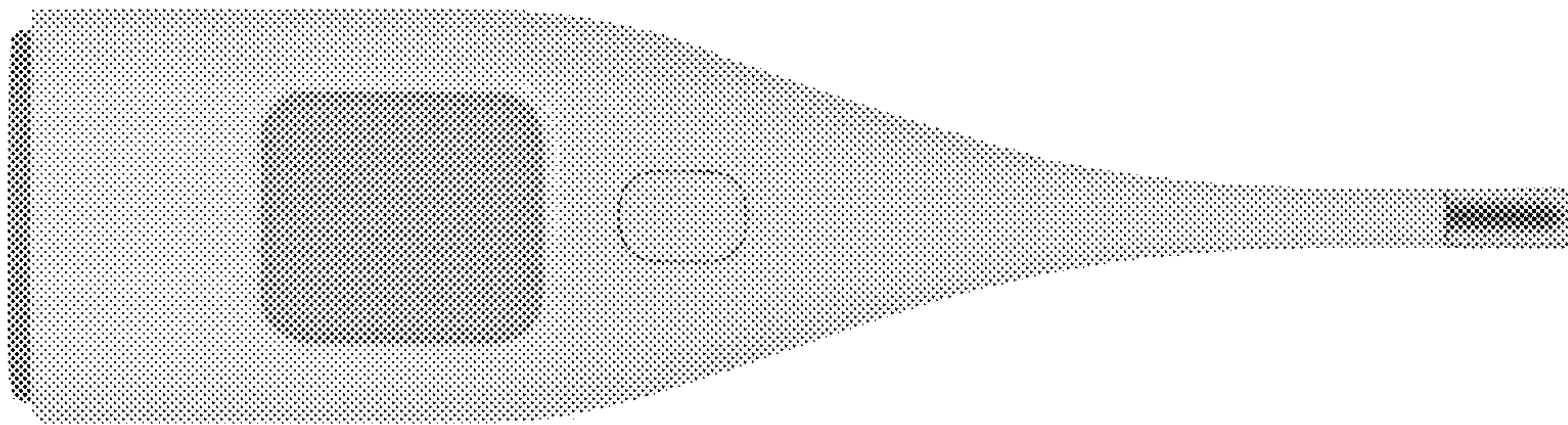


FIG. 4

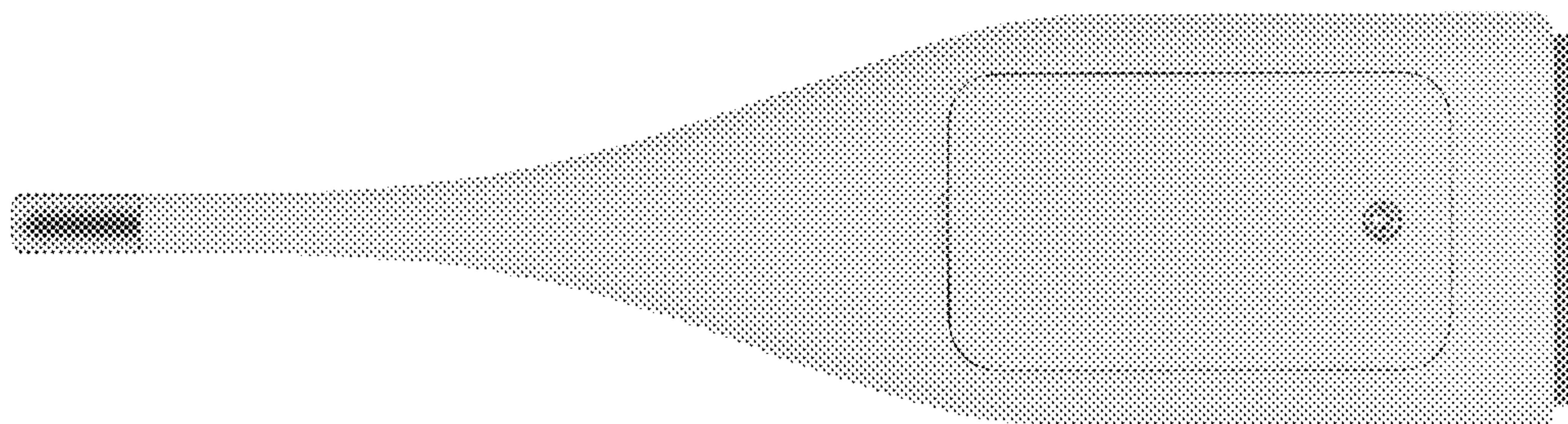


FIG. 5

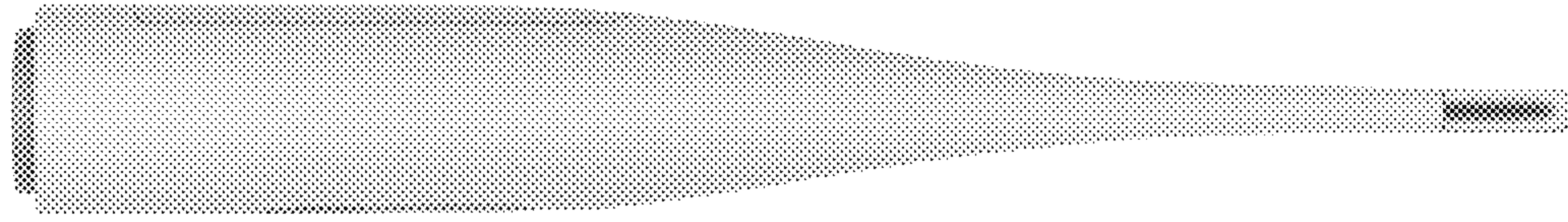


FIG. 6

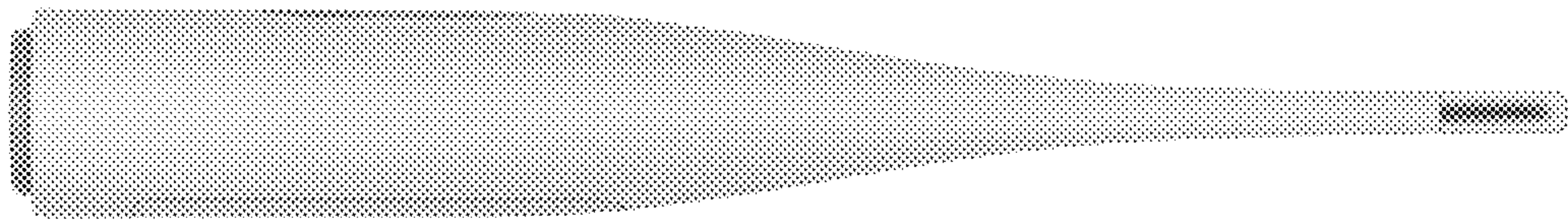


FIG. 7

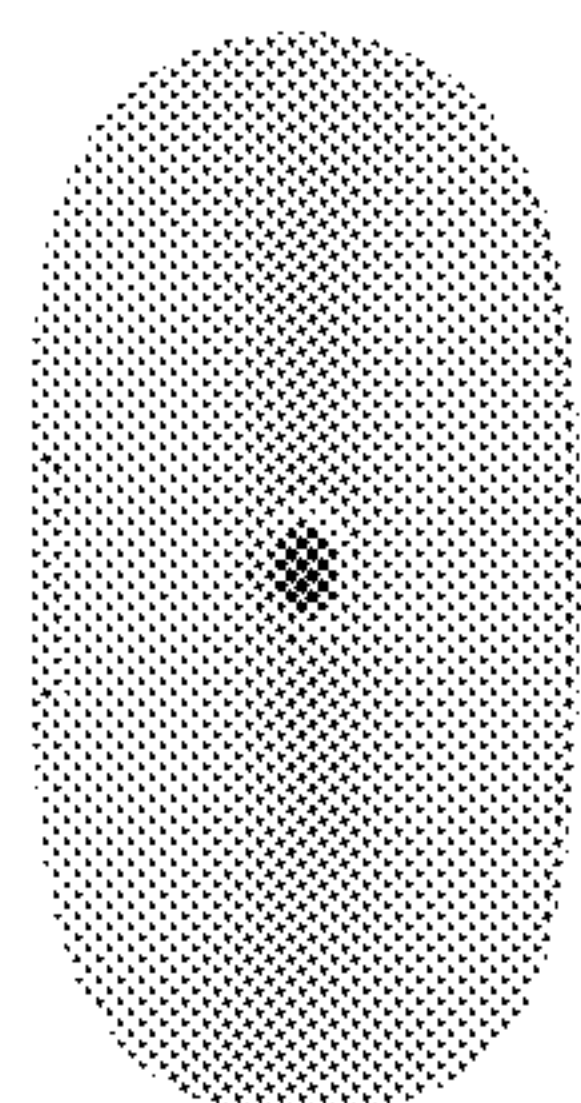


FIG. 8

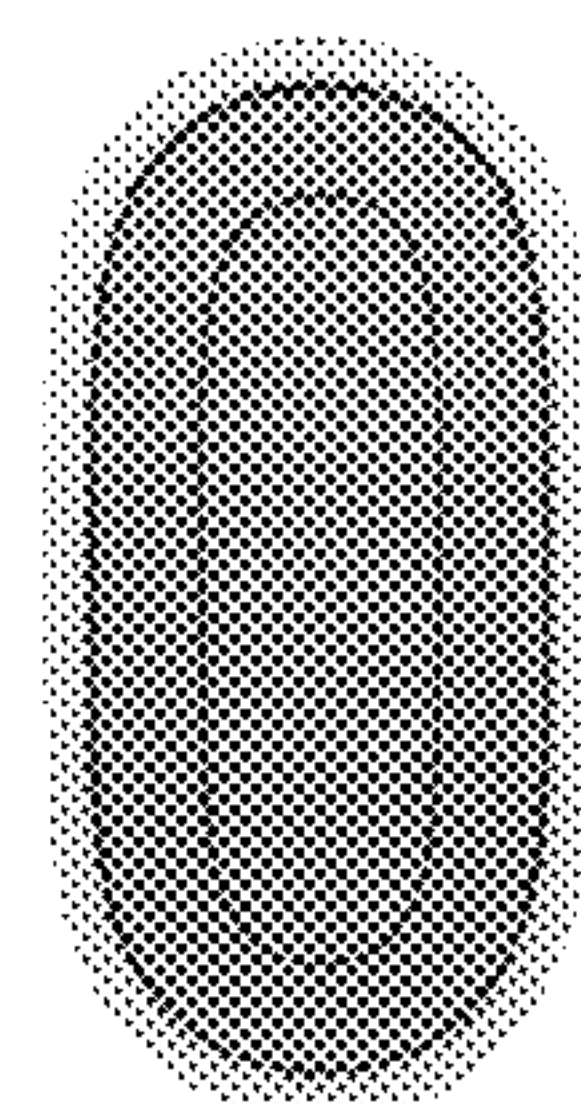


FIG. 9



FIG. 10

