



US00D983674S

(12) **United States Design Patent**
Huang et al.

(10) **Patent No.:** **US D983,674 S**

(45) **Date of Patent:** **** Apr. 18, 2023**

(54) **THERMOMETER**

(71) Applicant: **Shenzhen chuangxinlian Electronics Co., Ltd**, Shenzhen (CN)

(72) Inventors: **Hong Huang**, Shenzhen (CN); **Bin Peng**, Chaling County (CN)

(73) Assignee: **Shenzhen chuangxinlian Electronics Co., Ltd**, Shenzhen (CN)

(**) Term: **15 Years**

(21) Appl. No.: **29/784,705**

(22) Filed: **May 20, 2021**

(51) **LOC (14) Cl.** **10-04**

(52) **U.S. Cl.**
USPC **D10/57**

(58) **Field of Classification Search**
USPC D10/57
CPC G01K 1/08; G01K 13/20; G01K 13/223; G01K 13/25; G01K 13/252; G01K 1/083; G01K 1/086; G01K 1/18; G01K 13/002; G01K 1/14; G01K 5/38; G01K 5/58; G01K 5/60; G01K 13/00; G01K 13/08; G01K 13/10; A61B 2562/247; G01J 5/021; G01J 5/048; G01J 5/04; G01J 5/041; G01J 5/042; G01J 5/043; G01J 5/044; G01J 5/045; G01J 5/046; G01J 5/047; G01J 5/049; G01J 5/0265

See application file for complete search history.

(56) **References Cited**

U.S. PATENT DOCUMENTS

D506,688 S *	6/2005	Rund	D10/60
D807,208 S *	1/2018	Cruz	D10/57
D867,171 S *	11/2019	Dolgonosov	D10/57
D931,121 S *	9/2021	Pan	D10/57

* cited by examiner

Primary Examiner — Antoine Duval Davis

(57) **CLAIM**

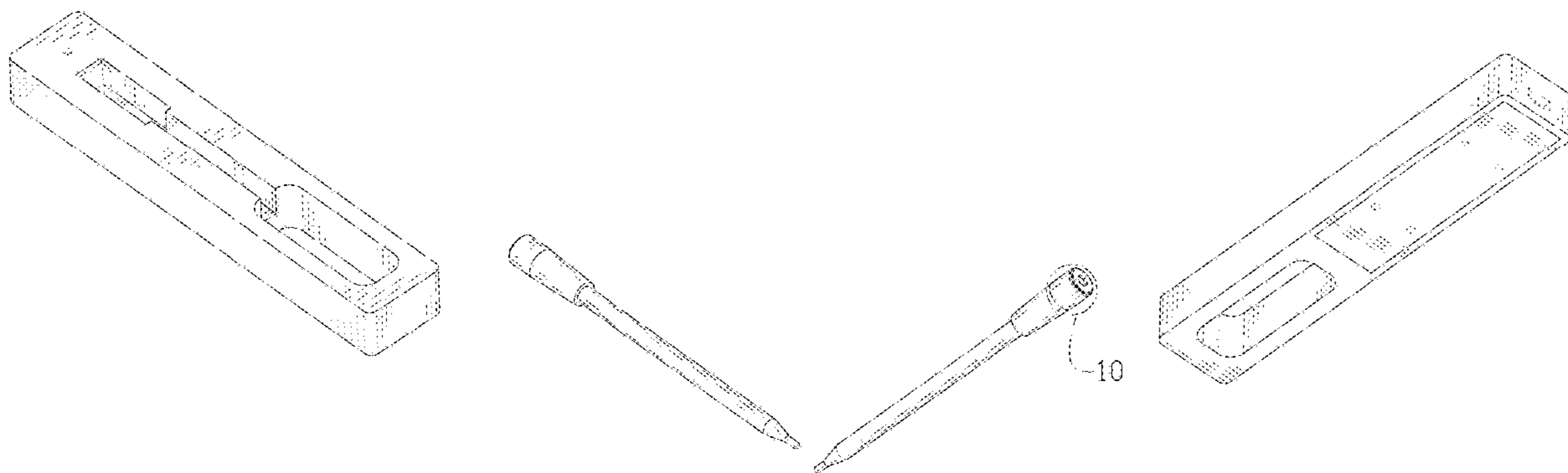
The ornamental design for a thermometer, as shown and described.

DESCRIPTION

FIG. 1 is an exploded perspective view of a thermometer showing our new design;
FIG. 2 is another exploded perspective view thereof;
FIG. 3 is a front elevational view thereof;
FIG. 4 is a rear elevational view thereof;
FIG. 5 is a left side elevational view thereof;
FIG. 6 is a right side elevational view thereof;
FIG. 7 is a top plan view thereof;
FIG. 8 is a bottom plan view thereof;
FIG. 9 is an assembled perspective view thereof; and,
FIG. 10 is an enlarged view of a circled portion 10 of FIG. 2.

The broken lines in the drawings depict portions of the thermometer that form no part of the claimed design.

1 Claim, 10 Drawing Sheets



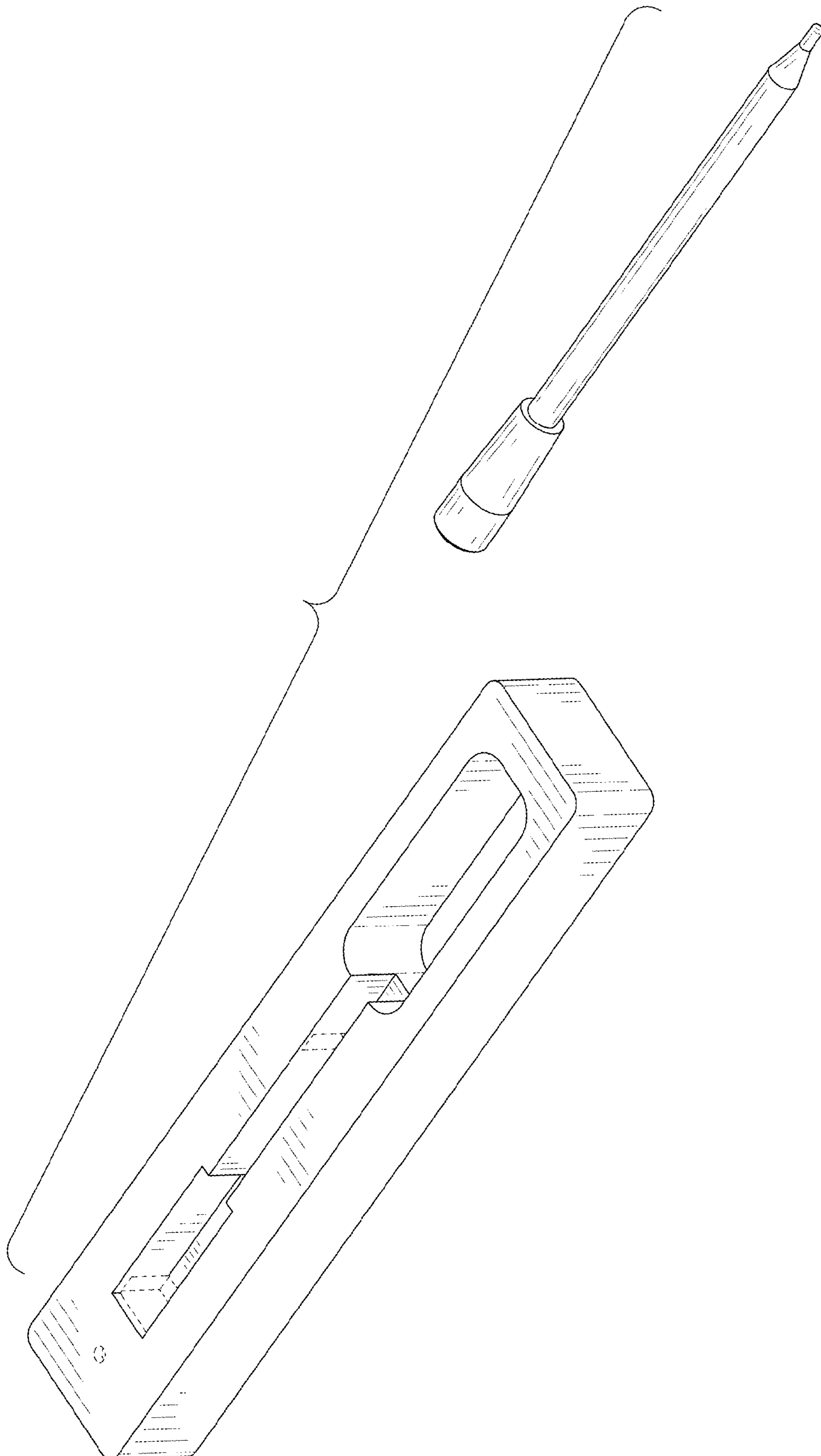


FIG. 1

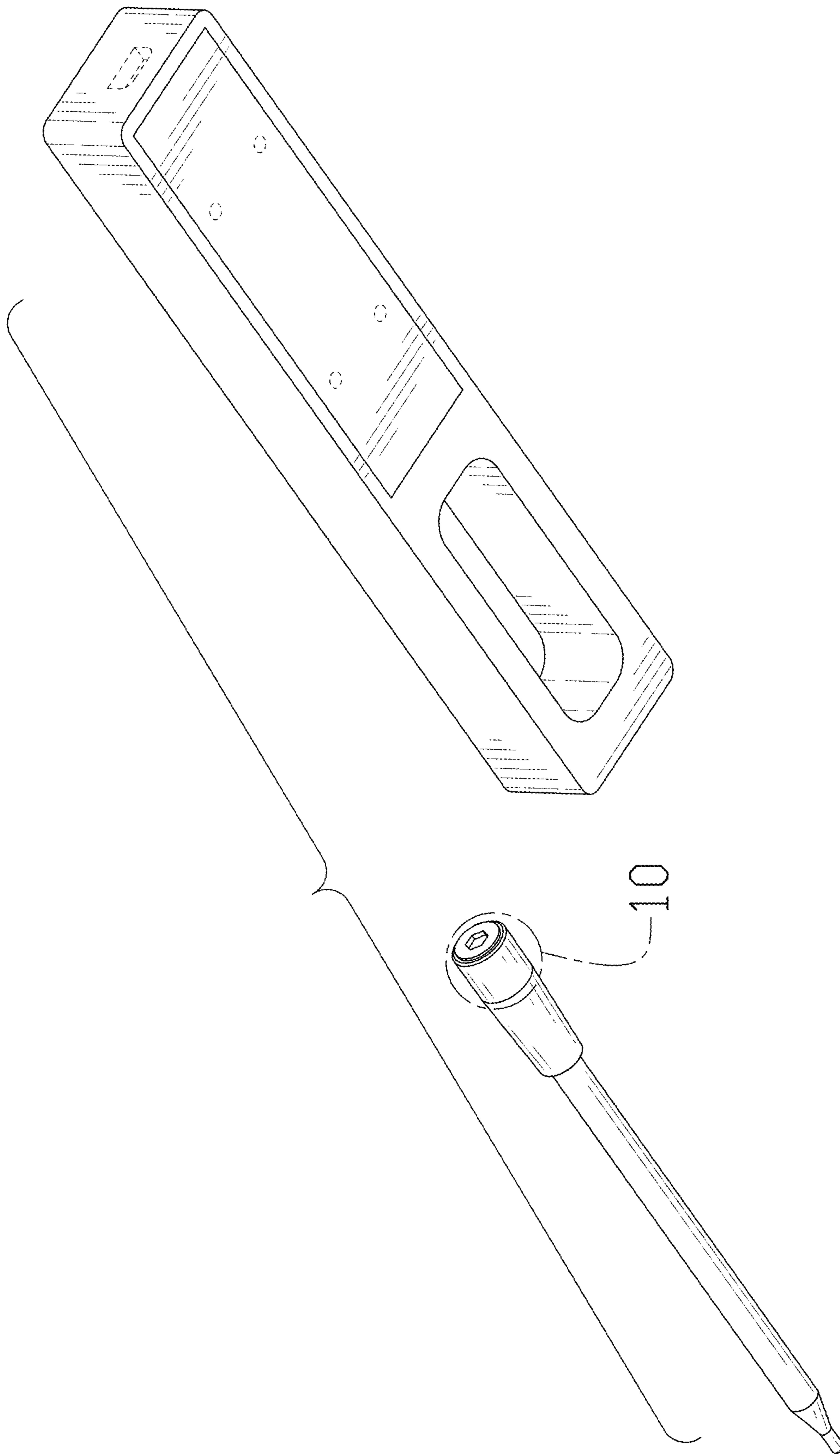


FIG. 2

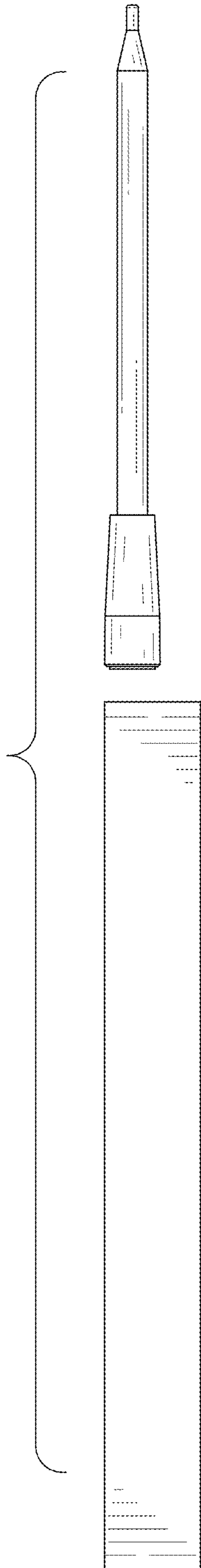


FIG. 3

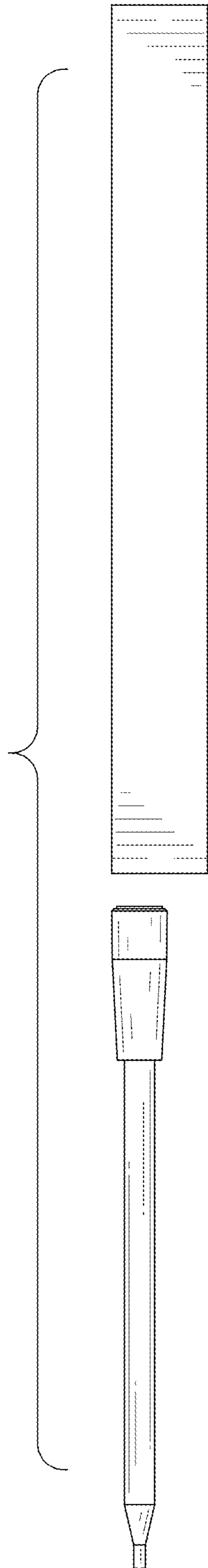


FIG. 4

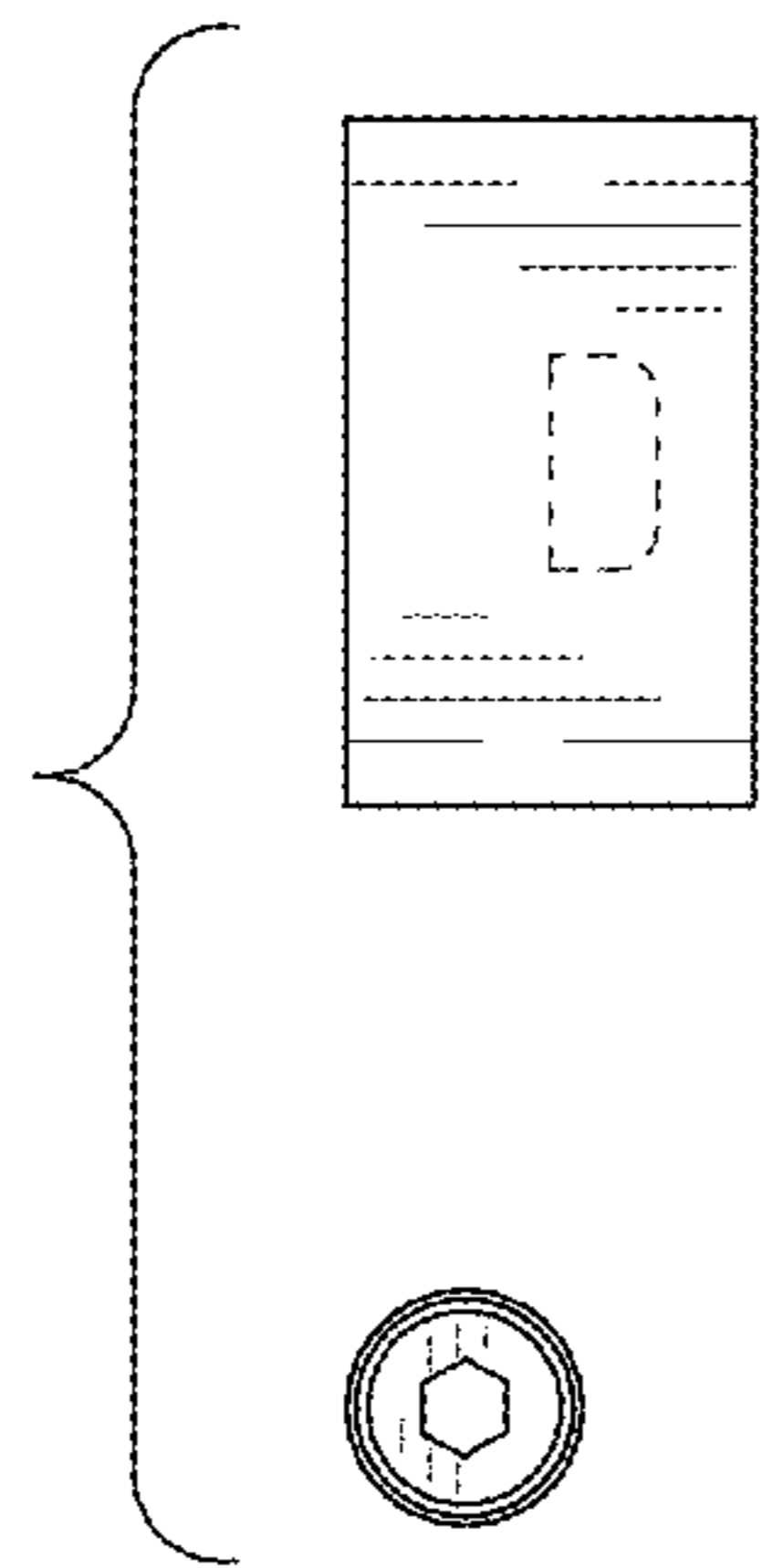


FIG. 5

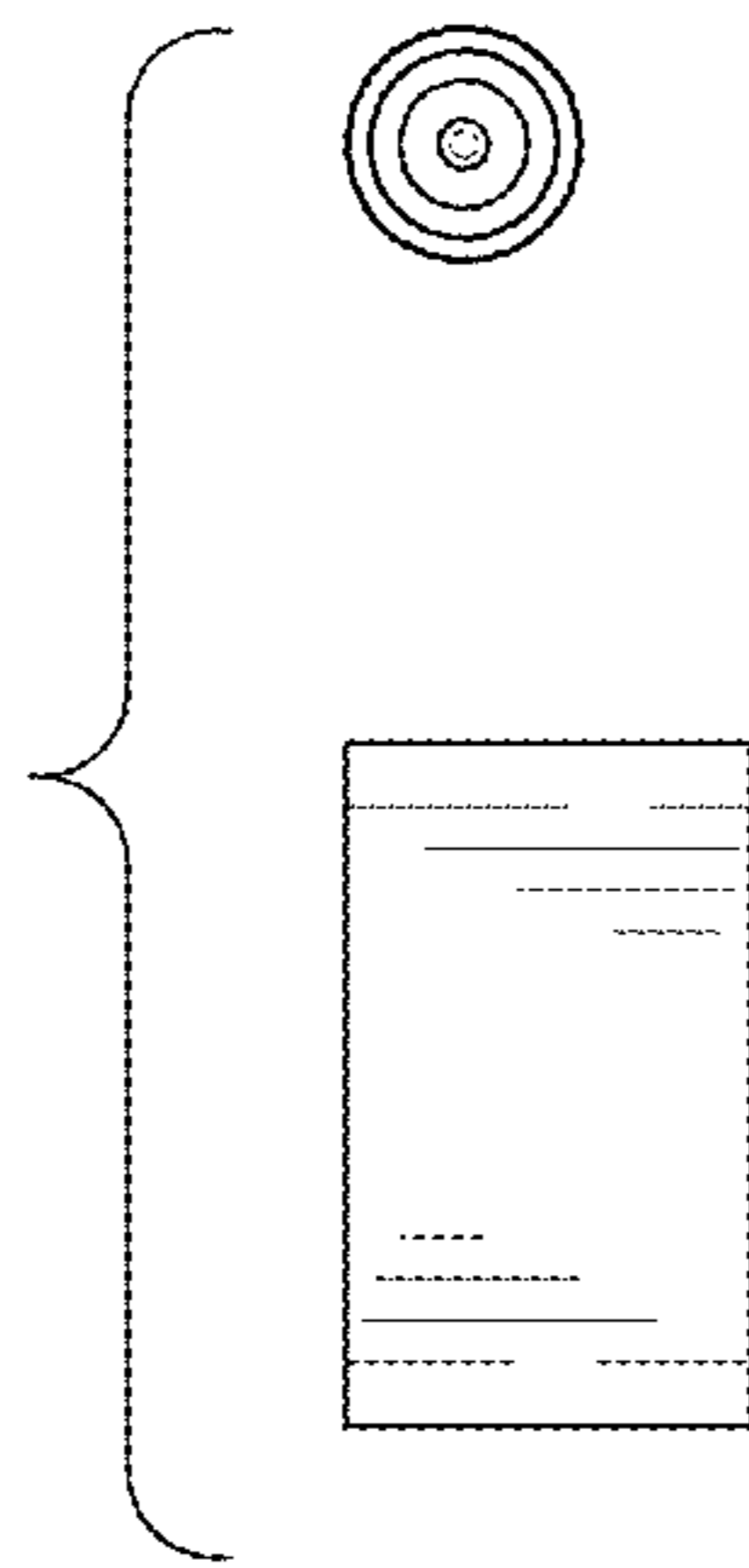


FIG. 6

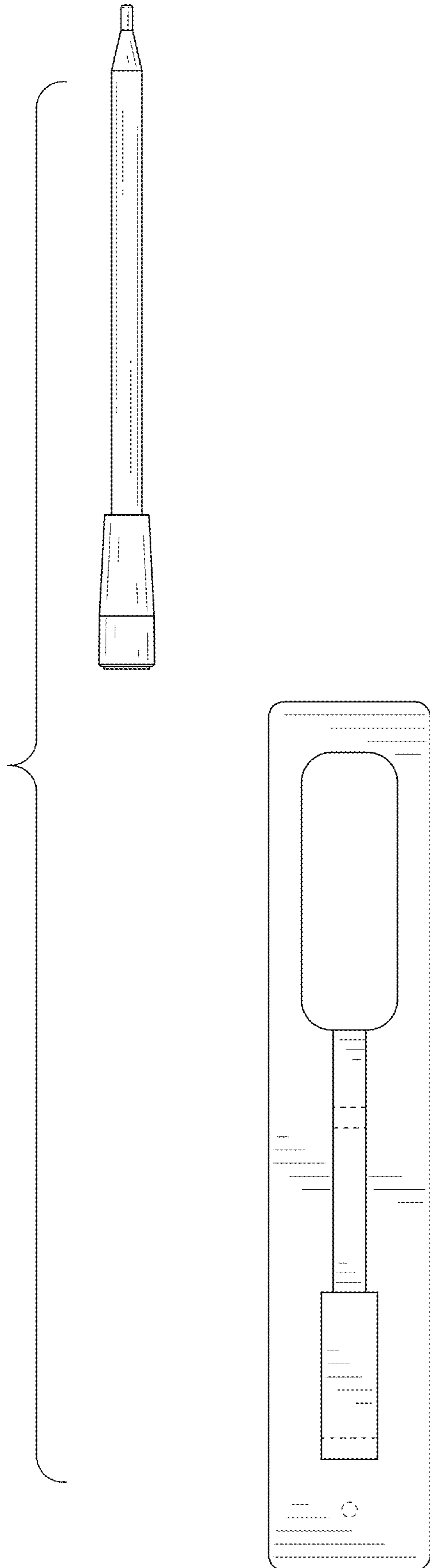


FIG. 7

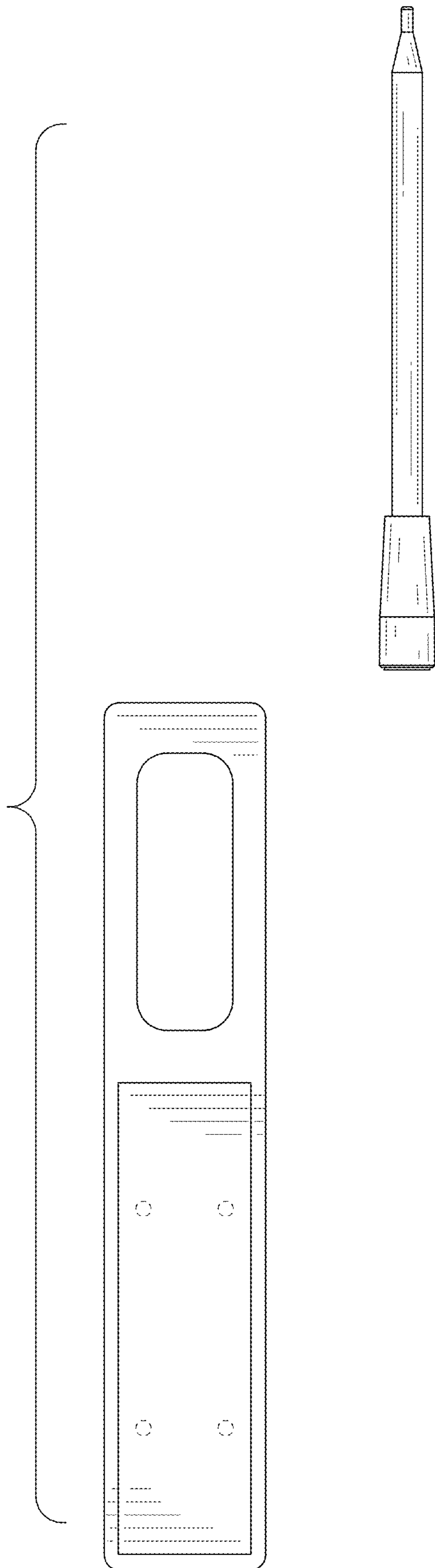


FIG. 8

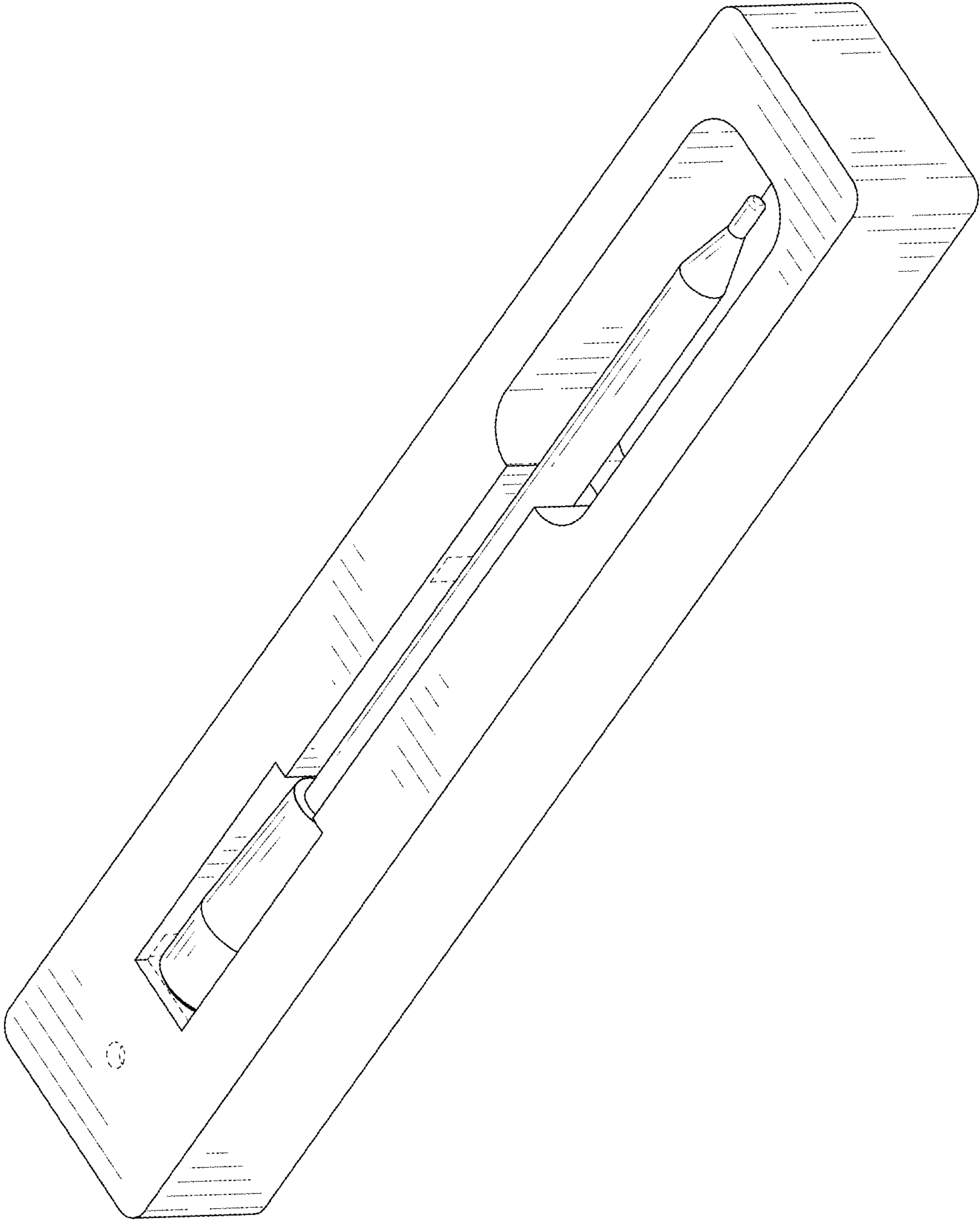


FIG. 9

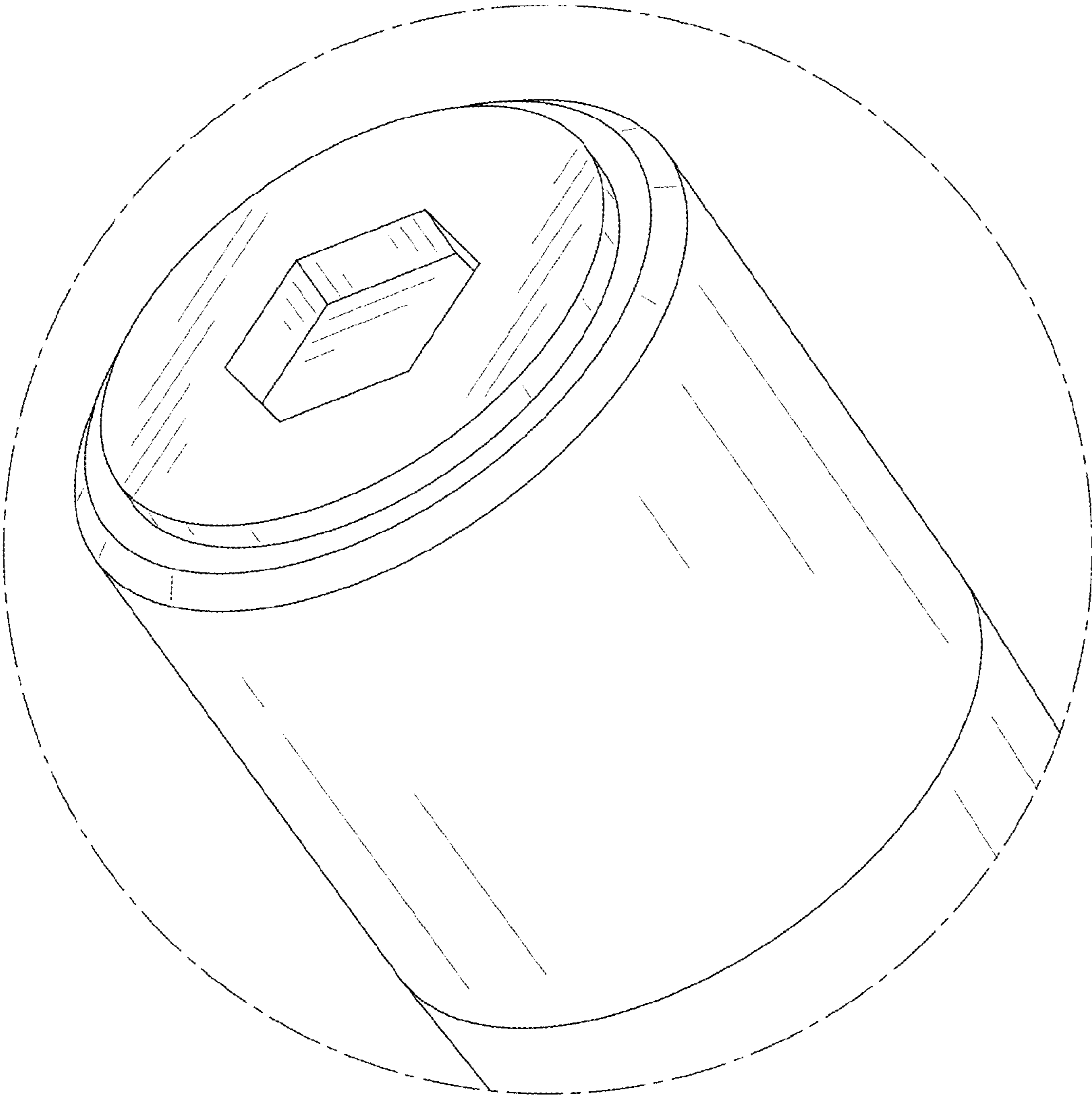


FIG. 10