



US00D983670S

(12) **United States Design Patent**
Borg et al.

(10) **Patent No.:** **US D983,670 S**
(45) **Date of Patent:** **** Apr. 18, 2023**

(54) **THREE-PACK CONTAINER CARRIER WITH TEAR TAB RELEASE**

FOREIGN PATENT DOCUMENTS

(71) Applicant: **Oregon Precision Industries, Inc.**, Eugene, OR (US)

EM 008566459-0001 * 6/2021
GB 6125901 * 3/2021

(72) Inventors: **Zakary James Borg**, Eugene, OR (US); **Ronald Lee Mellor, Jr.**, Eugene, OR (US)

OTHER PUBLICATIONS

PakTech Handles, available Nov. 24, 2016, [online], [site visited Jul. 7, 2018]. Available from internet, <URL: <https://paktech-opi.com/>> (Year: 2016).*

(73) Assignee: **OREGON PRECISION INDUSTRIES, INC.**, Eugene, OR (US)

(Continued)

(**) Term: **15 Years**

Primary Examiner — W. A. Teddy Falloway

(21) Appl. No.: **29/762,456**

(74) *Attorney, Agent, or Firm* — Alleman Hall Creasman & Tuttle LLP

(22) Filed: **Dec. 16, 2020**

(51) **LOC (14) Cl.** **09-03**

(52) **U.S. Cl.**
USPC **D9/752; D9/753**

(58) **Field of Classification Search**
USPC D9/750–754, 455, 456; D3/315
CPC B65D 71/50; B65D 21/0224; B65D 67/02; B65D 71/502; B65D 71/504; B65D 21/0206; B65D 21/0219; A47F 2200/0583; A47G 23/0208
See application file for complete search history.

(57) **CLAIM**

The ornamental design for a three-pack container carrier with tear tab release, as shown and described.

DESCRIPTION

FIG. 1 is a top perspective view of an ornamental design for a three-pack container carrier with tear tab release showing my new design.

FIG. 2 is a bottom perspective view of the three-pack container carrier with tear tab release of FIG. 1.

FIG. 3 is a top view of the three-pack container carrier with tear tab release of FIG. 1.

FIG. 4 is a bottom view of the three-pack container carrier with tear tab release of FIG. 1.

FIG. 5 is a front view of the three-pack container carrier with tear tab release of FIG. 1.

FIG. 6 is a rear view of the three-pack container carrier with tear tab release of FIG. 1.

FIG. 7 is a right side view of the three-pack container carrier with tear tab release of FIG. 1; and,

FIG. 8 is a left side view of the three-pack container carrier with tear tab release of FIG. 1.

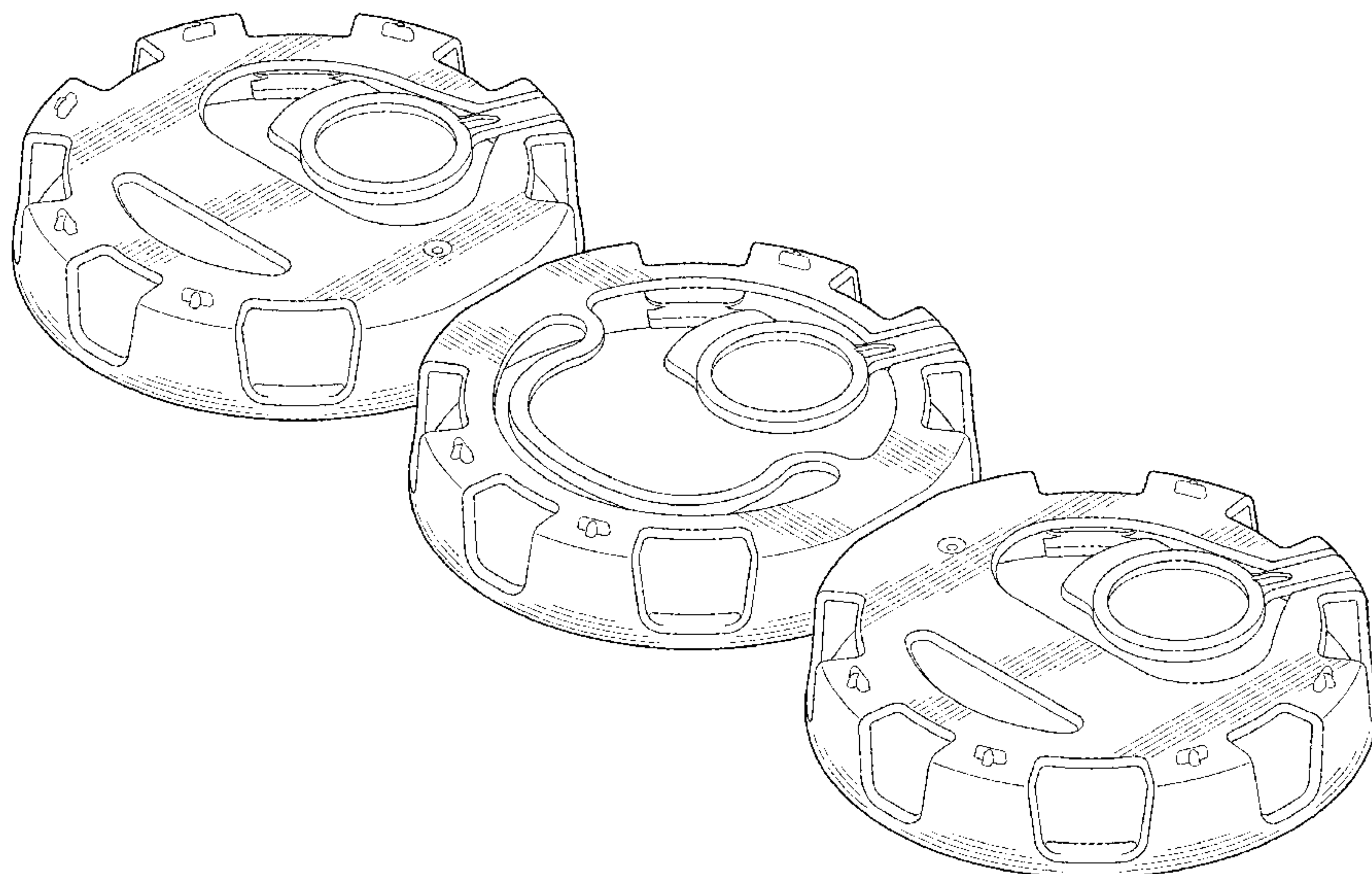
(56) **References Cited**

U.S. PATENT DOCUMENTS

4,448,452	A *	5/1984	Wood	B65D 71/50 294/87.28
D279,356	S *	6/1985	Moss	D9/434
4,634,002	A *	1/1987	Delonghi	B65D 71/50 206/427
5,188,413	A *	2/1993	Nathan	B65D 71/50 206/199
D408,277	S *	4/1999	Erickson	D9/752
D502,406	S *	3/2005	Eddings	D7/706
7,588,275	B2 *	9/2009	Borg	B65D 81/055 206/427

(Continued)

1 Claim, 4 Drawing Sheets



(56)

References Cited

U.S. PATENT DOCUMENTS

D653,560 S * 2/2012 Smithers D9/752
 D700,526 S * 3/2014 Borg D9/752
 D704,572 S * 5/2014 Borg D9/752
 D721,598 S * 1/2015 Borg D9/752
 D781,158 S * 3/2017 Bosworth D9/752
 D786,702 S * 5/2017 Borg D9/752
 D831,501 S * 10/2018 Borg D9/752
 D957,940 S * 7/2022 Borg D9/452
 2004/0134799 A1* 7/2004 Mattson B65D 71/504
 2007/0039836 A1* 2/2007 Borg B65D 71/50
 2007/0296231 A1* 12/2007 Borg B65D 71/50
 2010/0025360 A1* 2/2010 Borg B65D 71/50
 206/150
 294/87.2
 215/396

2012/0073997 A1* 3/2012 Borg B65D 71/50
 206/386
 2015/0210428 A1* 7/2015 Borg F16B 2/22
 24/288
 2018/0086524 A1* 3/2018 Tetreault B65D 71/50
 2019/0329951 A1* 10/2019 Borg B65D 71/504

OTHER PUBLICATIONS

PakTech Handles, available Apr. 19, 2018, [online], [site visited Jul. 7, 2018]. Available from internet, <URL: <https://paktech-opi.com/> (Year: 2018).*

Can Carrier (by PakTech via Dylan Macnab), available May 2013, [online], [site visited Jul. 7, 2018]. Available from internet, <URL: <http://cargocollective.com/dylanmacnab/CAN-CARRIER> (Year: 2013).*

Plastic 4/6 pack PakTech “can holders” (via Beeradvocate), available Sep. 20, 2017, [online], [site visited Jul. 7, 2018]. Available from internet, <URL: (Year: 2017).*

* cited by examiner

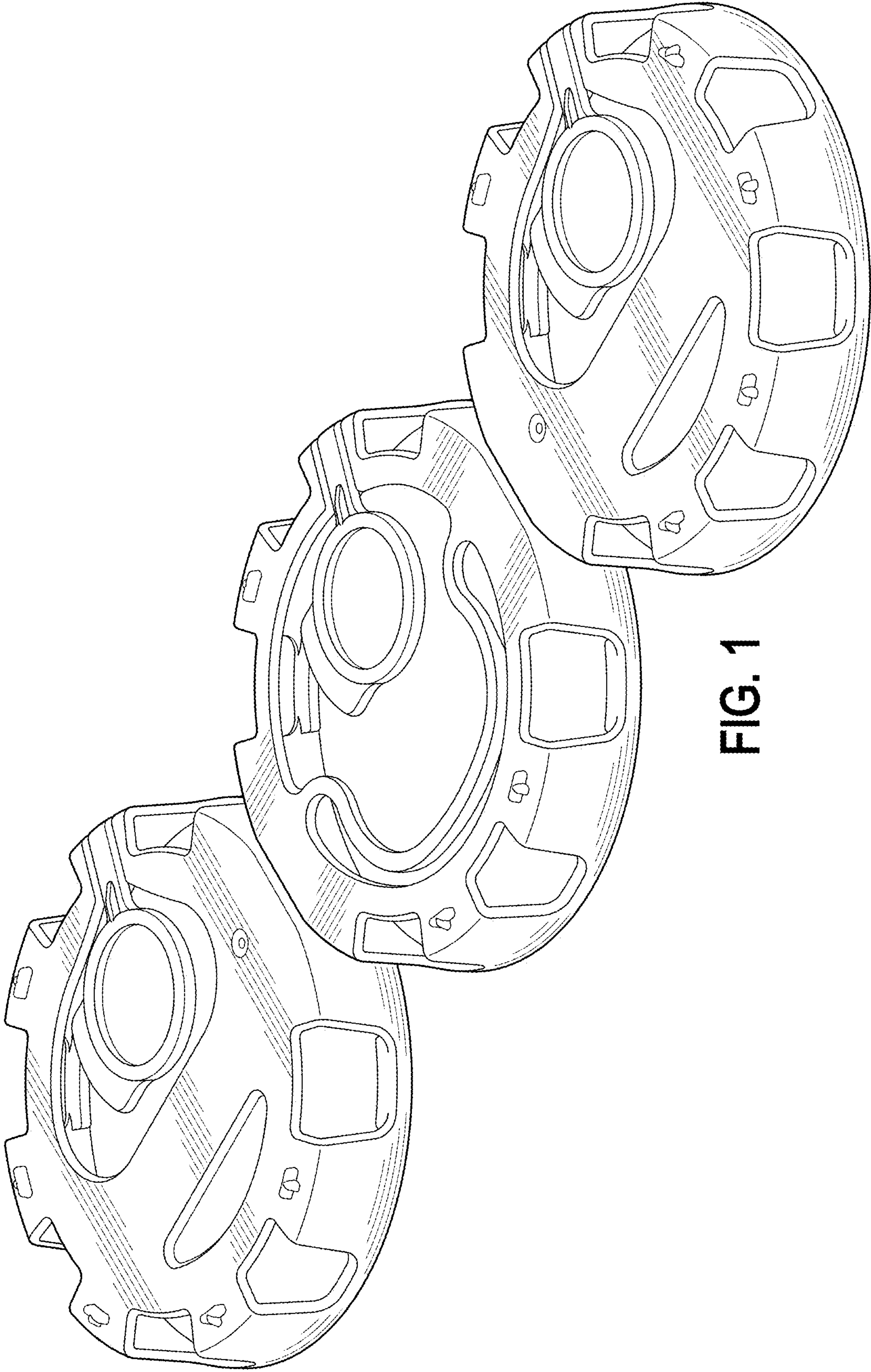


FIG. 1

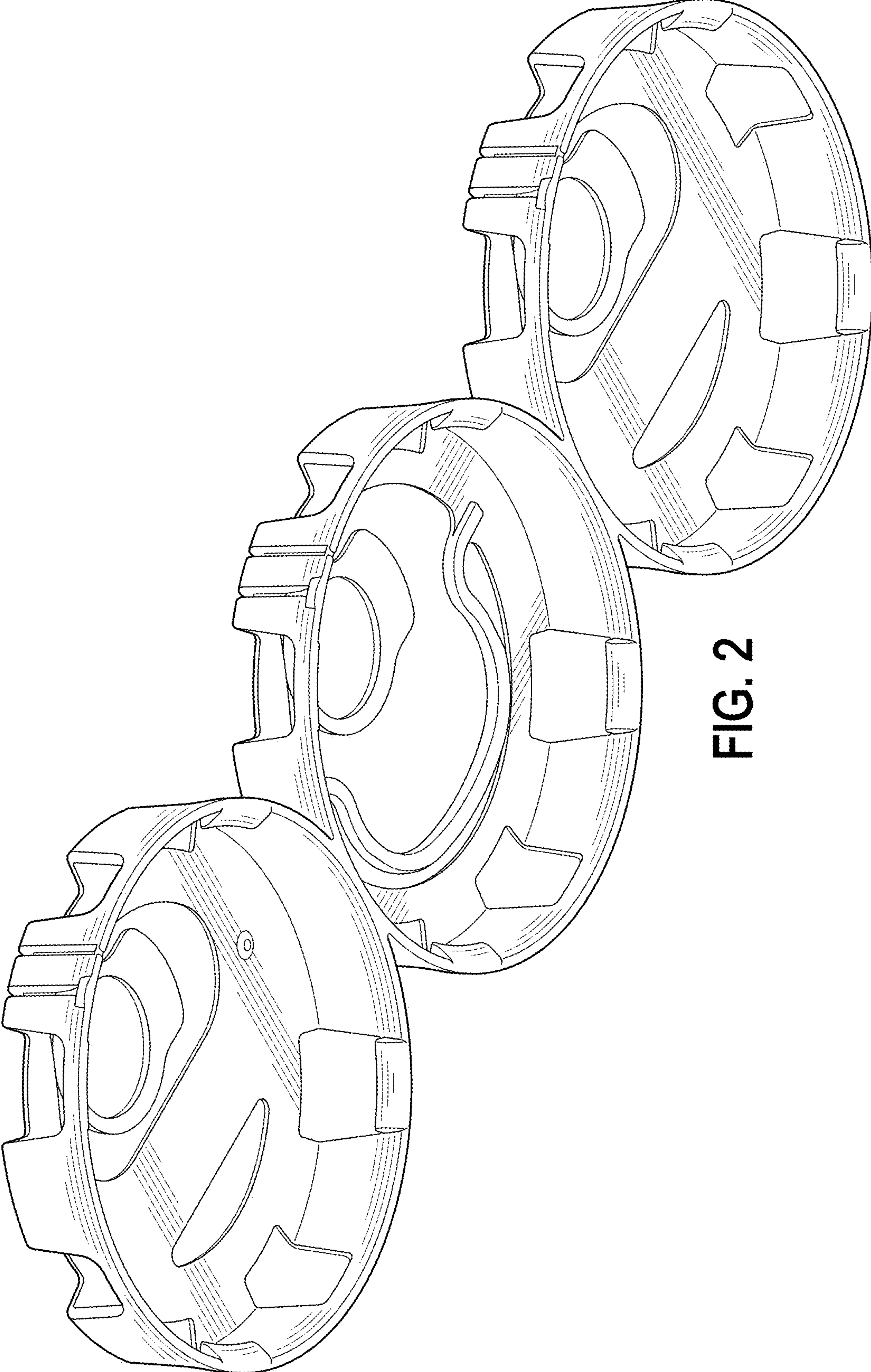


FIG. 2

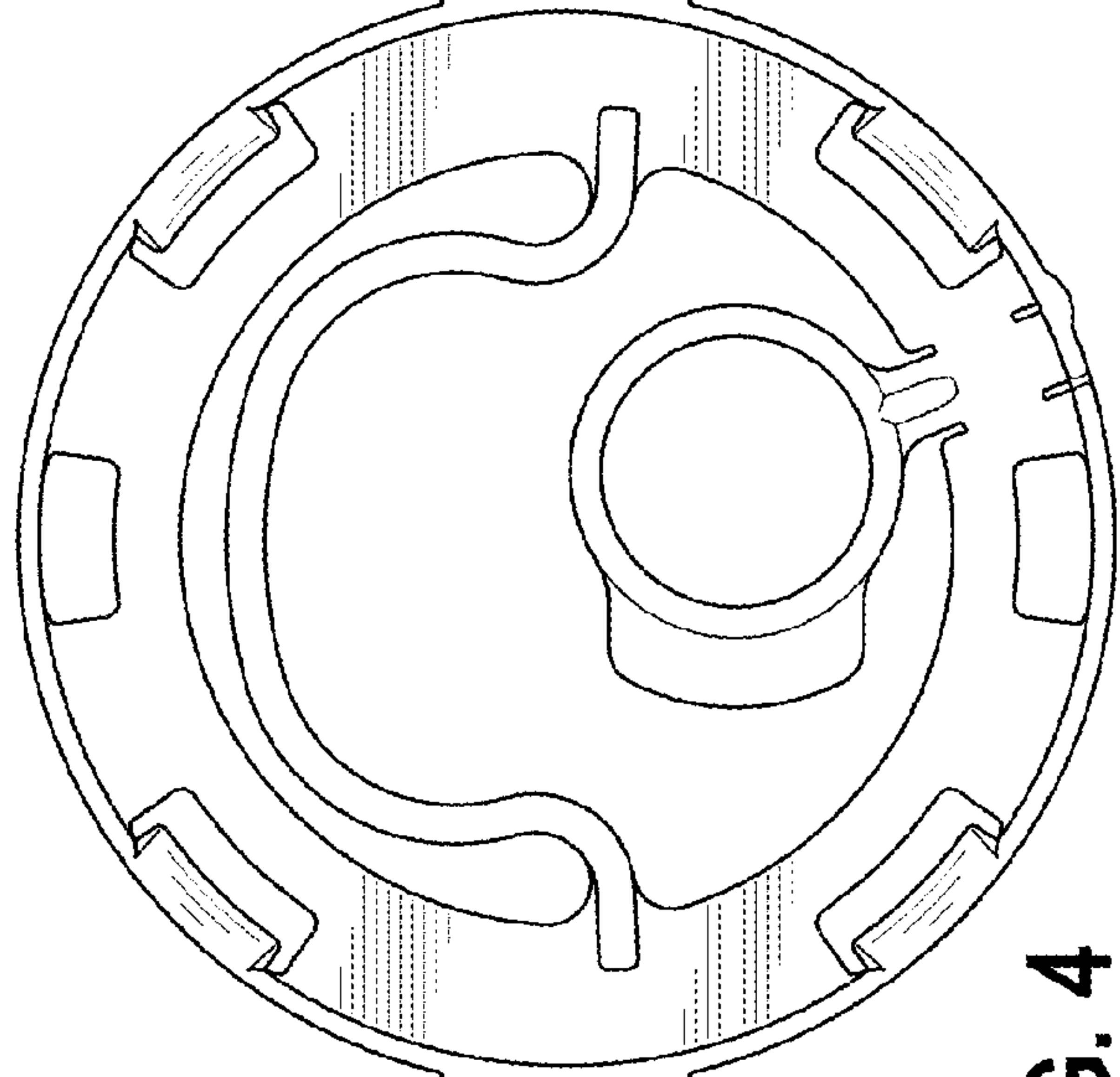
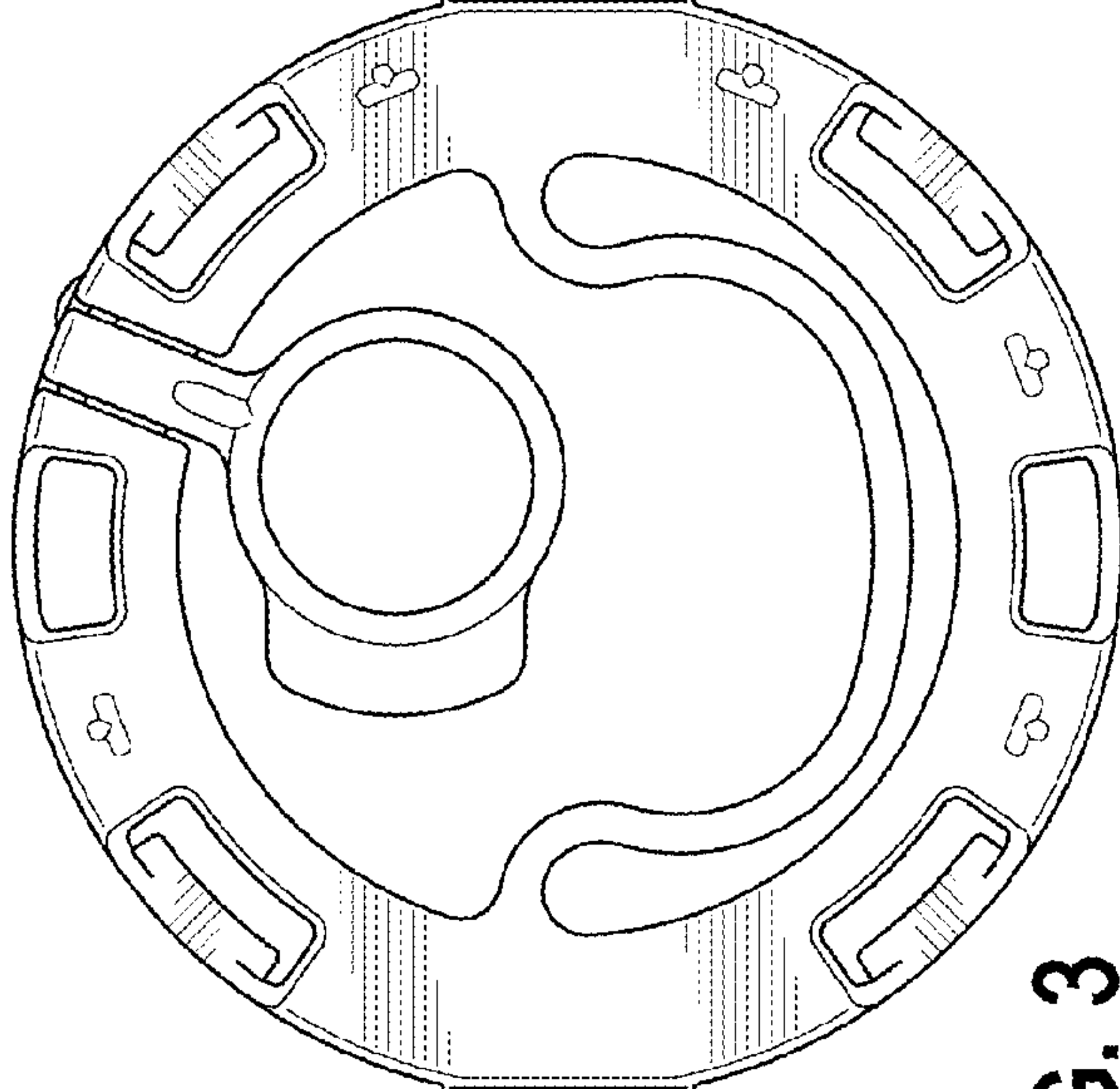
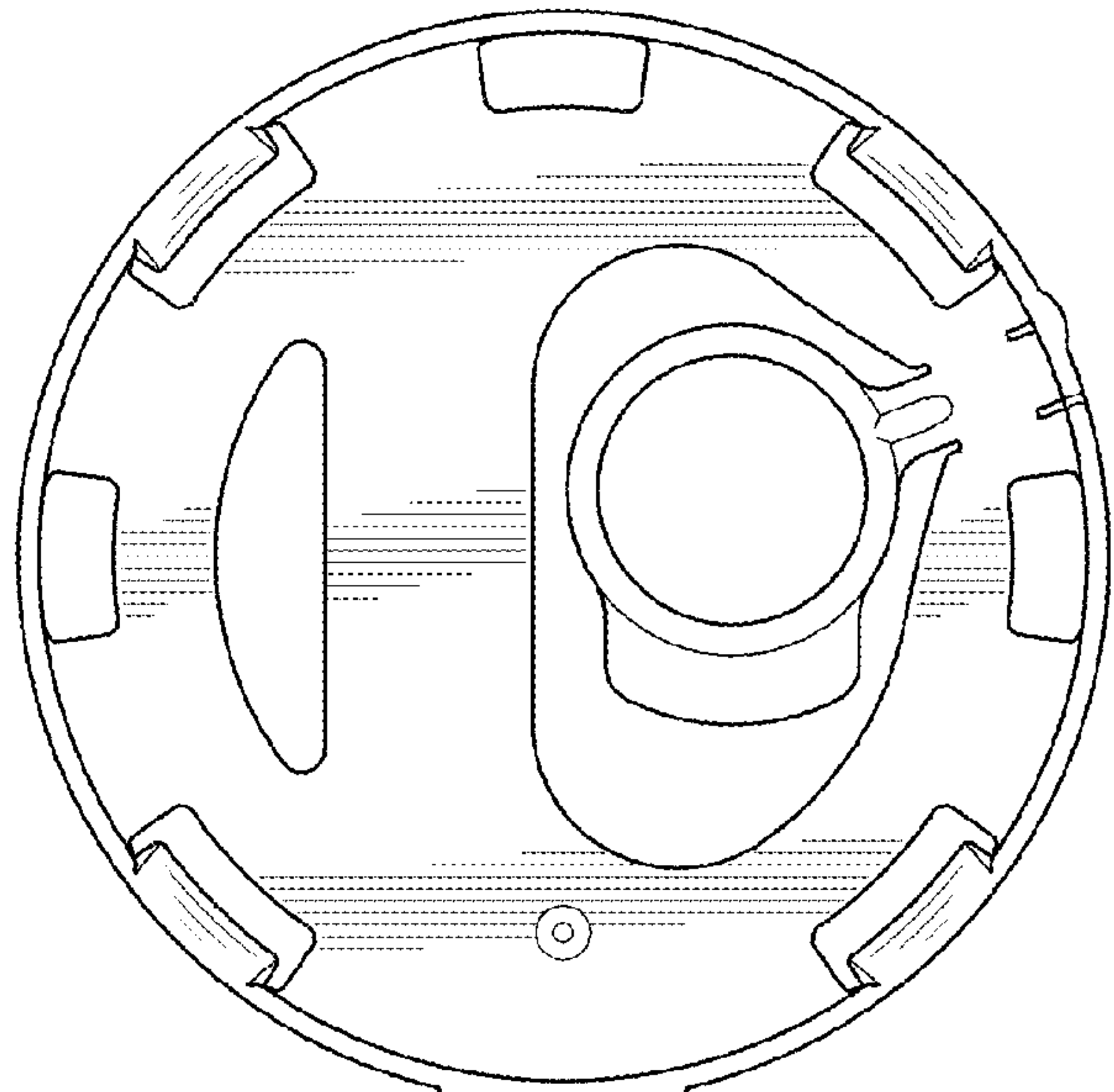
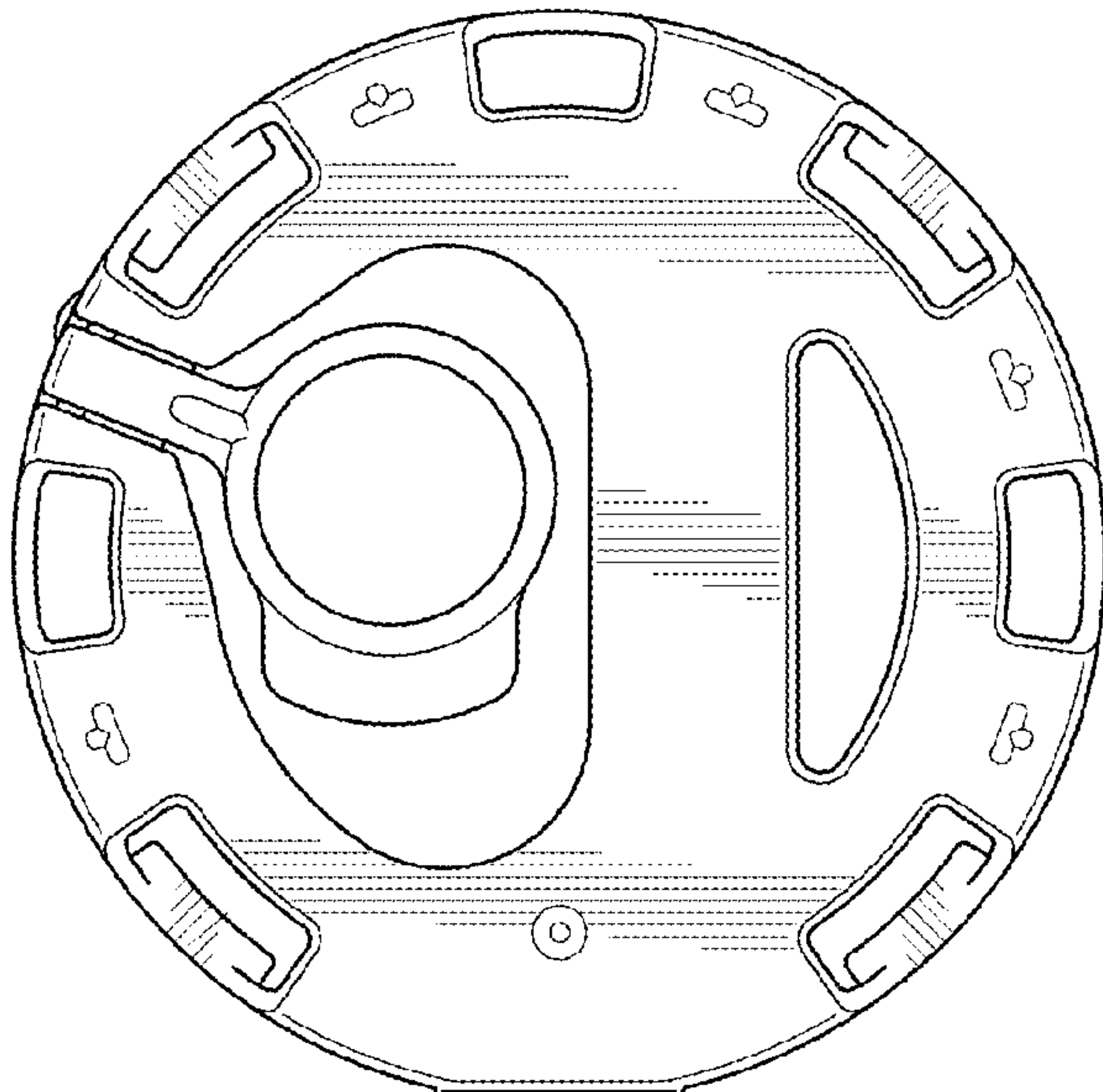
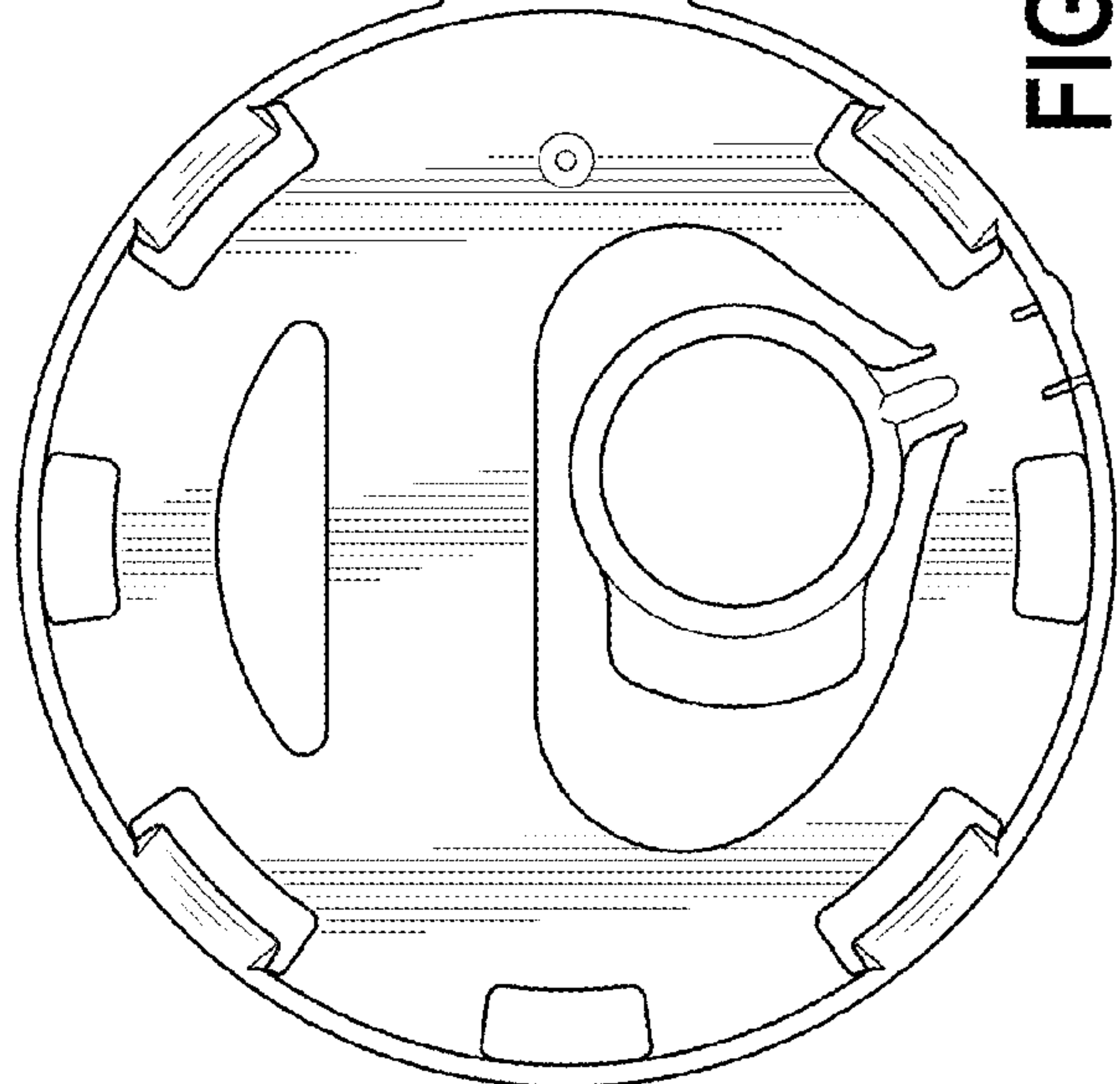
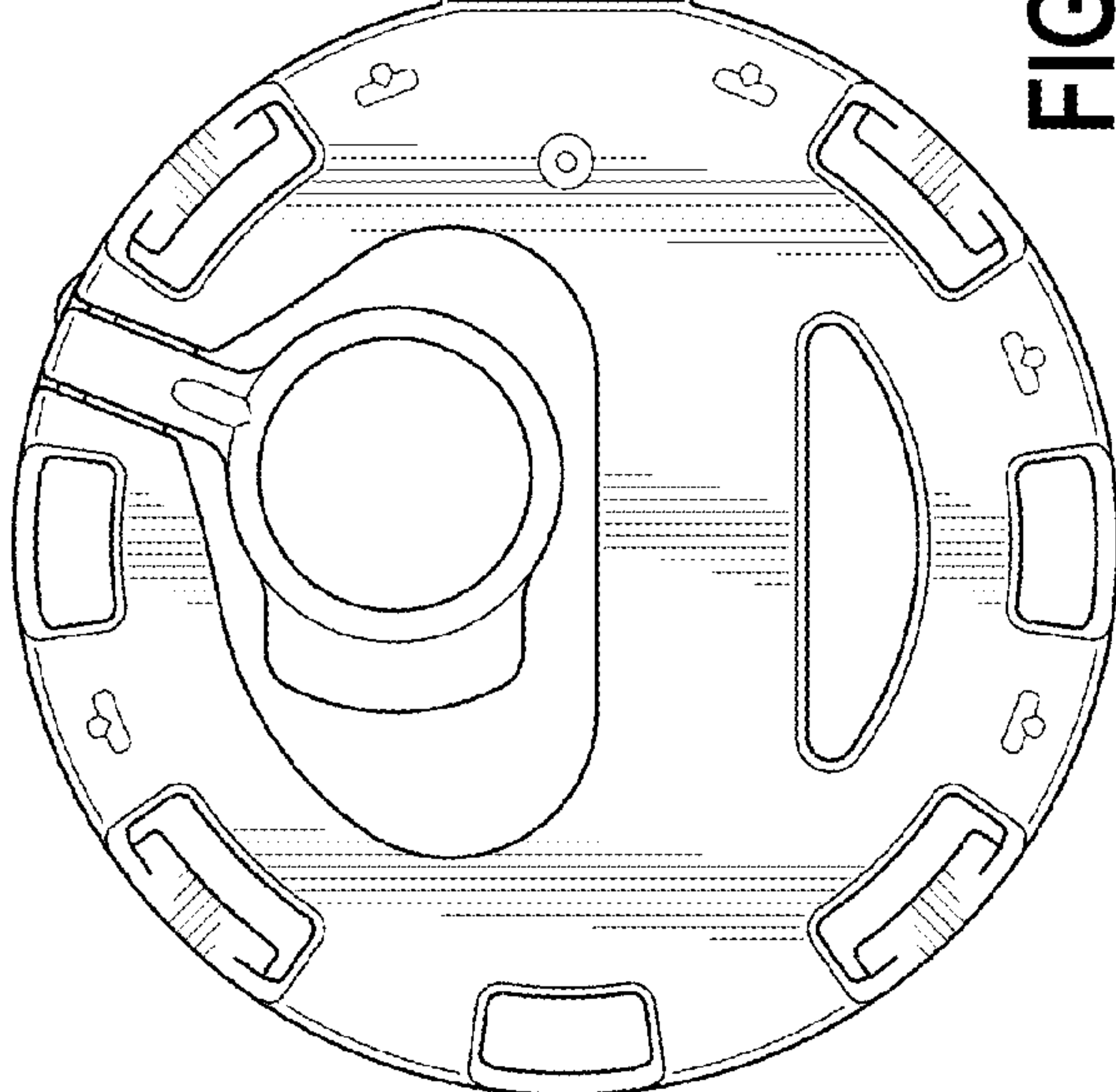


FIG. 3

FIG. 4



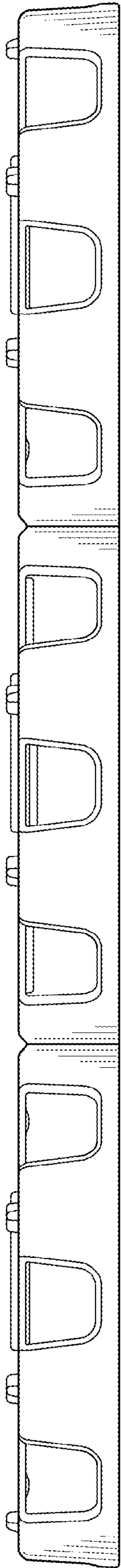


FIG. 5

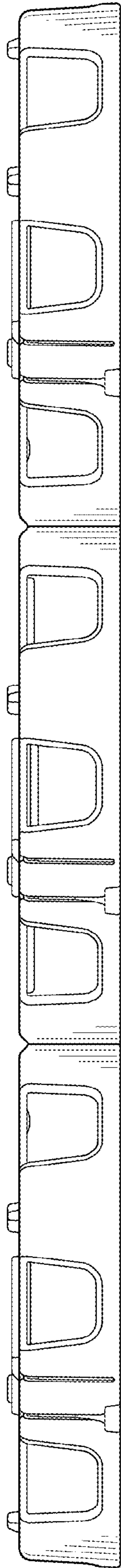


FIG. 6

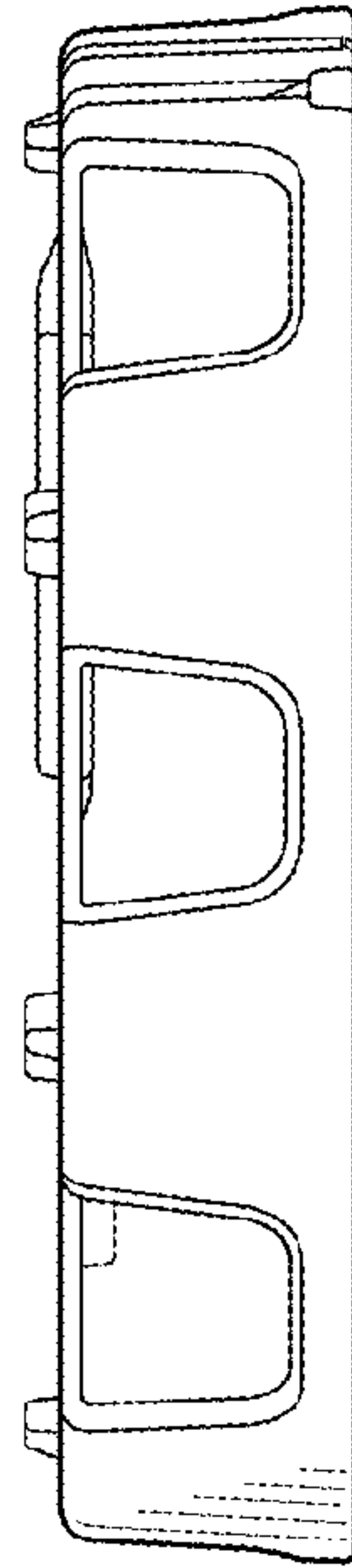


FIG. 7

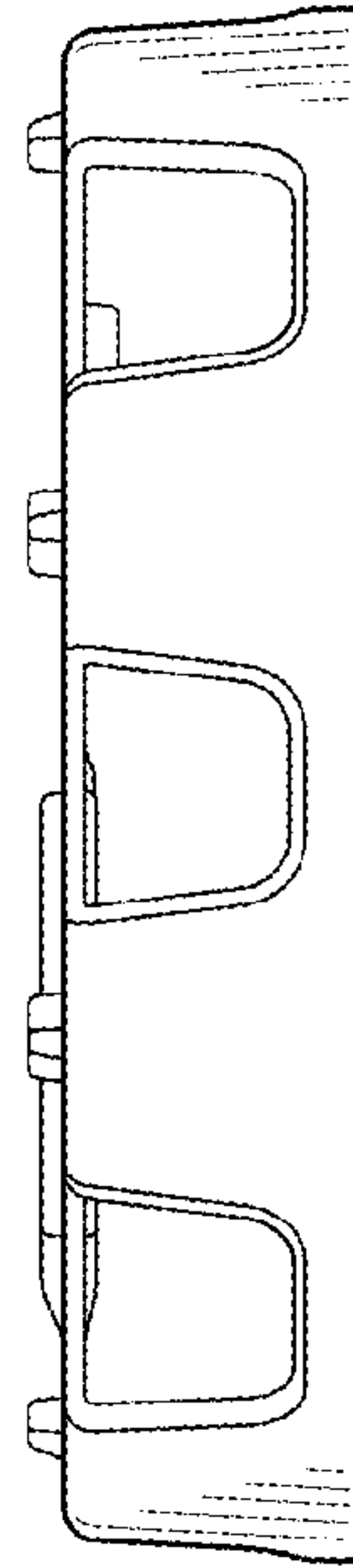


FIG. 8