



US00D983669S

(12) **United States Design Patent**
Morrison

(10) **Patent No.:** **US D983,669 S**
(45) **Date of Patent:** **** Apr. 18, 2023**

- (54) **WIPE CONTAINER**
- (71) Applicant: **Carla Morrison Fine Jewelry**,
Boulder, CO (US)
- (72) Inventor: **Carla J. Morrison**, Boulder, CO (US)
- (73) Assignee: **Carla Morrison Fine Jewelry**,
Boulder, CO (US)
- (**) Term: **15 Years**

- (21) Appl. No.: **29/652,237**
- (22) Filed: **Jun. 23, 2020**
- (51) **LOC (14) Cl.** **09-01**
- (52) **U.S. Cl.**
USPC **D9/734**
- (58) **Field of Classification Search**
USPC D6/414, 420-423, 425, 428, 504, 734;
D7/629
CPC A61K 8/0208; A47K 2010/3266; A47K
10/421; A47K 2010/3233; A47K 10/3818;
A47K 10/32; A47K 10/38; A47K 10/42;
A47K 10/16; A47K 10/426; A47K
2010/3206; B65D 83/0894; B65D 83/08;
B65D 83/0811; B65D 83/0835; B65D
2575/586; B65D 83/00; B65D
2543/00296; B65D 43/16; B65D
2583/005
See application file for complete search history.

(56) **References Cited**

U.S. PATENT DOCUMENTS

| | | | | |
|-------------------|--------|---------|-------|------------------------|
| D491,024 S * | 6/2004 | Welsh | | D7/629 |
| D549,050 S * | 8/2007 | Spencer | | D7/538 |
| D621,667 S * | 8/2010 | Ablo | | D7/629 |
| D705,081 S * | 5/2014 | Berger | | D9/734 |
| D817,755 S * | 5/2018 | Kim | | D9/420 |
| 2005/0205594 A1 * | 9/2005 | Evans | | A47K 10/3818 221/63 |

| | | | | |
|-------------------|---------|---------|-------|-------------------------|
| 2007/0199949 A1 * | 8/2007 | Simkins | | A47K 10/3818 221/63 |
| 2008/0054012 A1 * | 3/2008 | Long | | A47K 10/421 221/63 |
| 2009/0289078 A1 * | 11/2009 | Melin | | A47K 10/421 221/45 |
| 2013/0020325 A1 * | 1/2013 | Stone | | B65D 43/0235 220/270 |
| 2015/0144648 A1 * | 5/2015 | Mangold | | B65D 83/0894 221/34 |
| 2015/0305579 A1 * | 10/2015 | Azelton | | B65D 43/02 221/63 |

(Continued)

Primary Examiner — Lauren R Calve

(74) *Attorney, Agent, or Firm* — Holland & Hart LLP

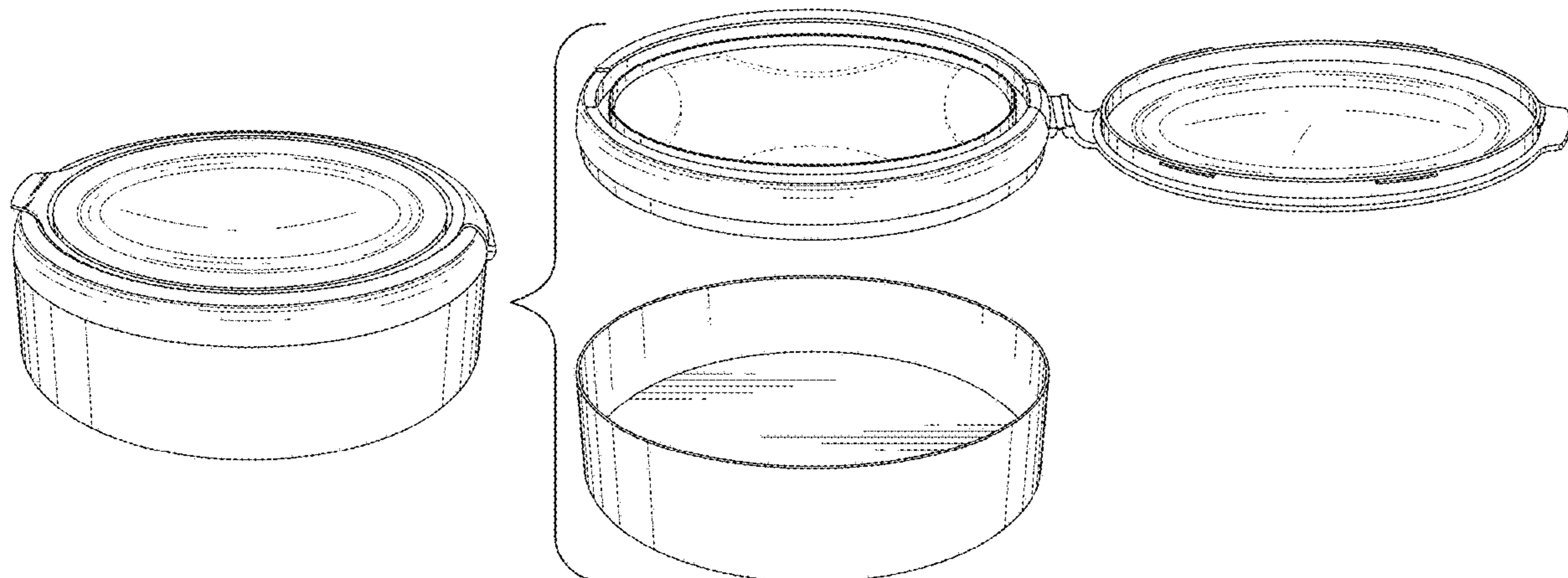
(57) **CLAIM**

The ornamental design for a wipe container, as shown and described.

DESCRIPTION

FIG. 1 is a front perspective view of a wipe container showing my new design, shown in a closed position; FIG. 2 is a right elevational view thereof; FIG. 3 is a left elevational view thereof; FIG. 4 is a front view thereof; FIG. 5 is a back view thereof; FIG. 6 is a top view thereof; FIG. 7 is a bottom view thereof; FIG. 8 is a top view thereof shown in an open position; FIG. 9 is a right elevational sectional view thereof, referencing sectional indicators A-A depicted in FIG. 8; FIG. 10 is a second top view of the wipe container shown in an open position and without the sectional view indicators; FIG. 11 is an exploded front perspective view of the wipe container shown in a closed position; and, FIG. 12 is an exploded front perspective view of the wipe container shown in an open position. Broken lines in the drawings illustrate portions of the wipe container that form no part of the claimed design.

1 Claim, 9 Drawing Sheets



(56)

References Cited

U.S. PATENT DOCUMENTS

2016/0325891 A1* 11/2016 Lam B65D 43/16
2019/0269284 A1* 9/2019 Weiss A47K 10/3818

* cited by examiner

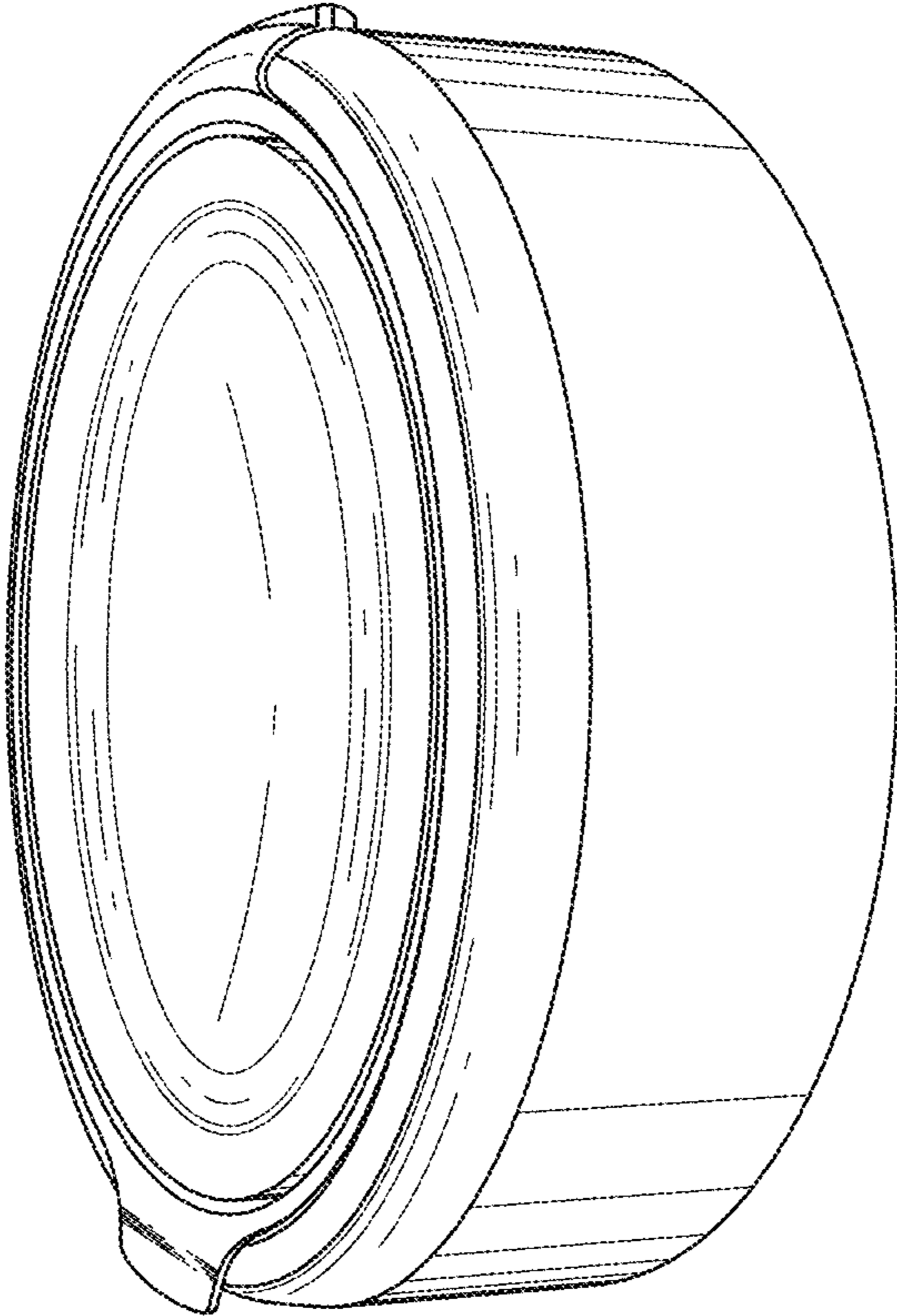


FIG. 1

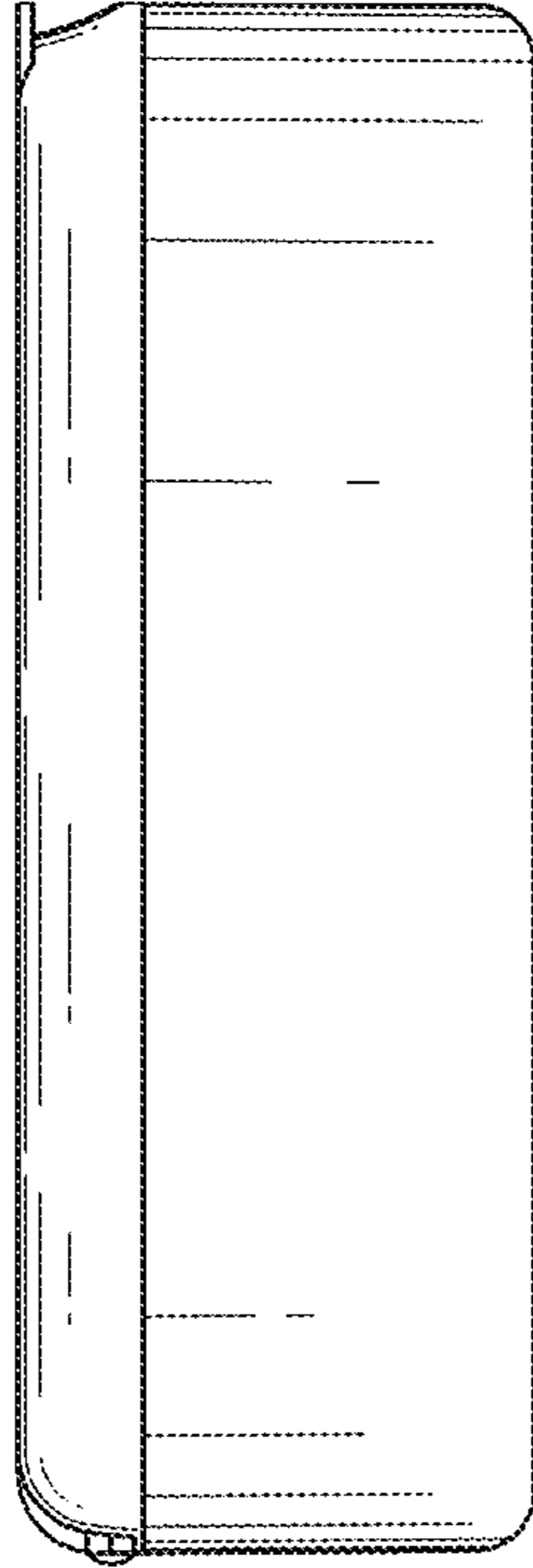


FIG. 3

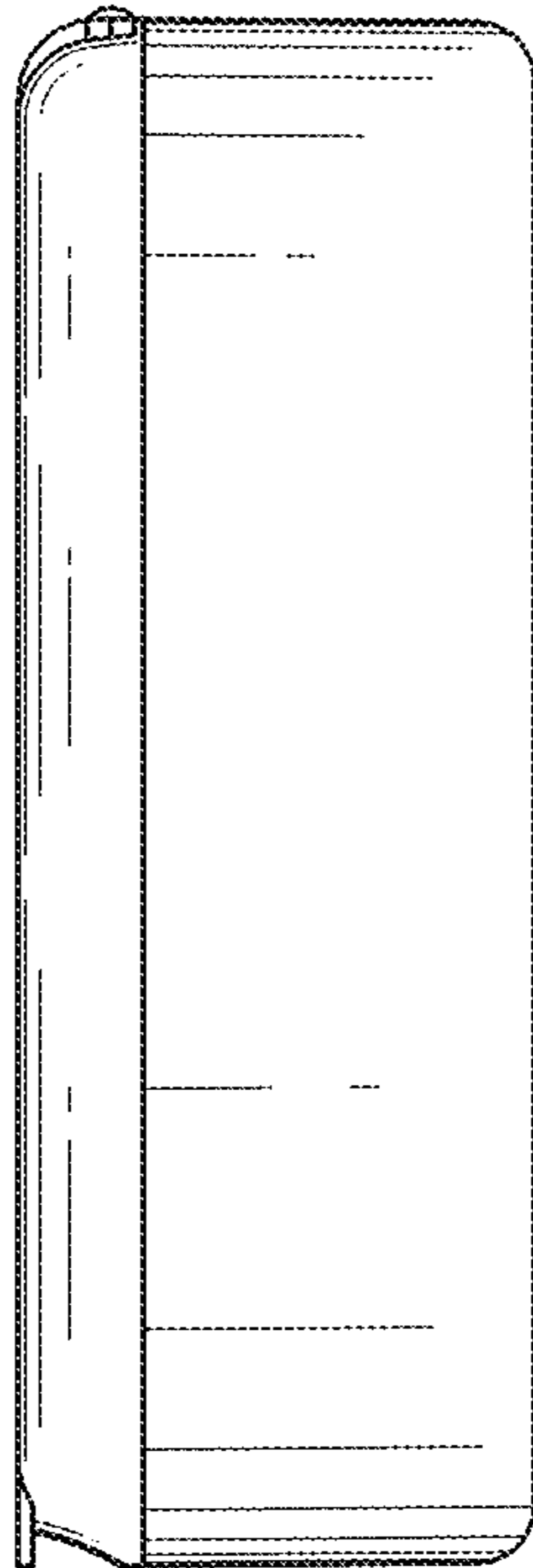


FIG. 2

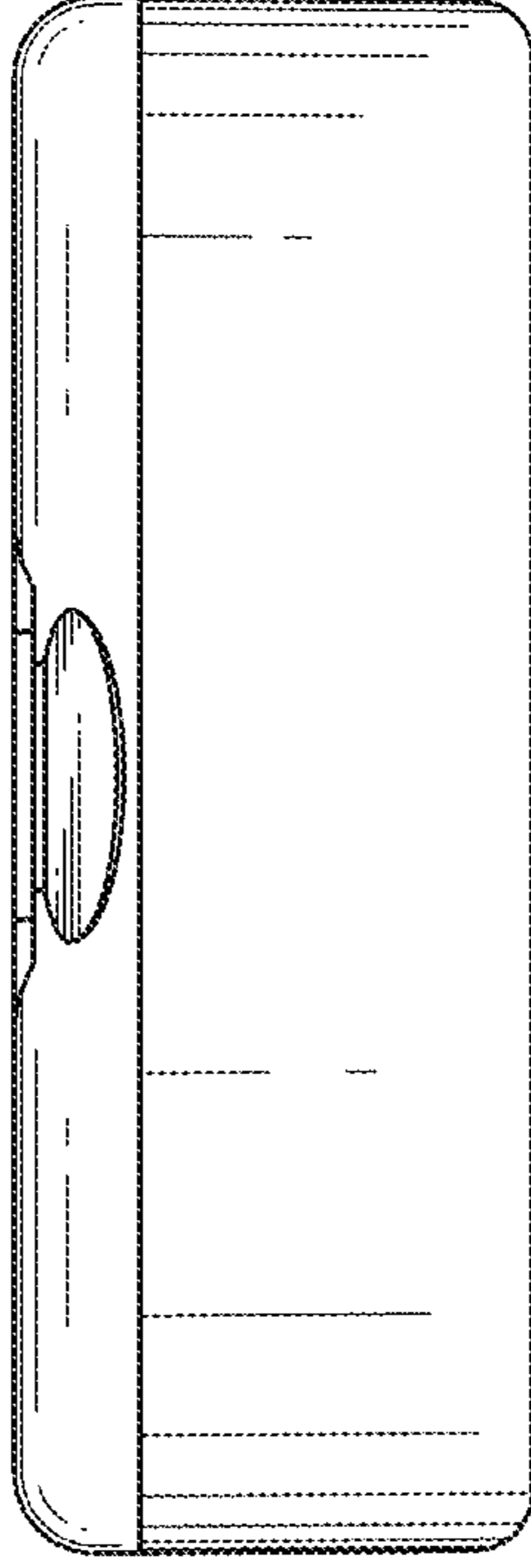


FIG. 5

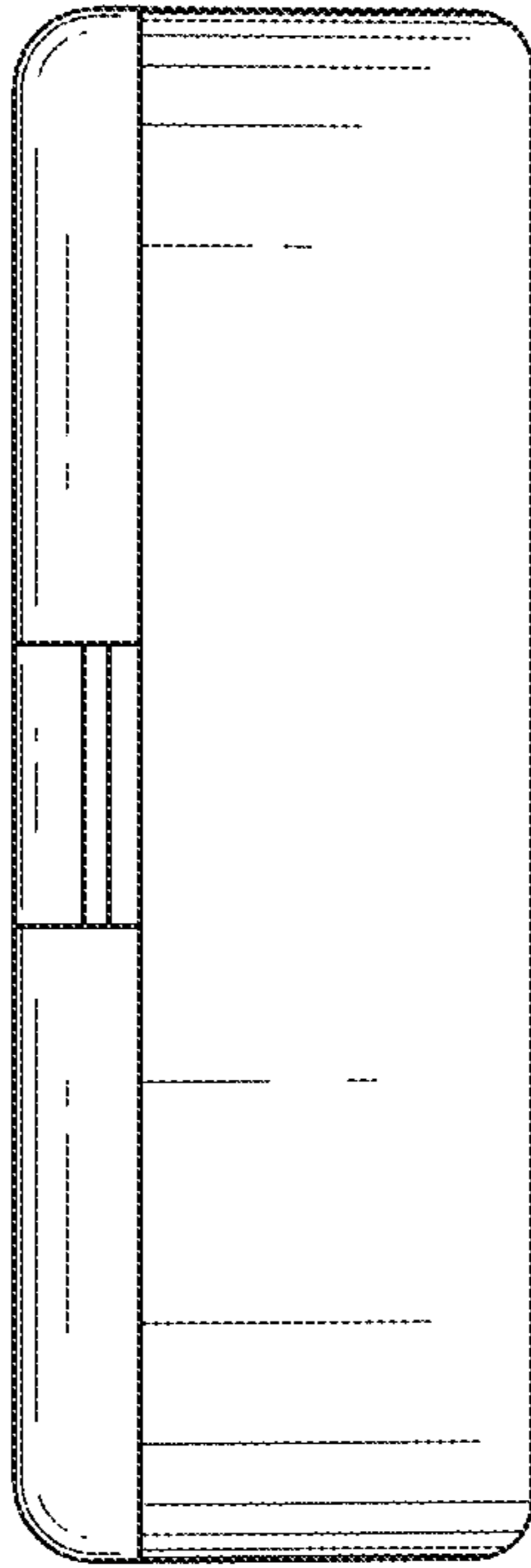


FIG. 4

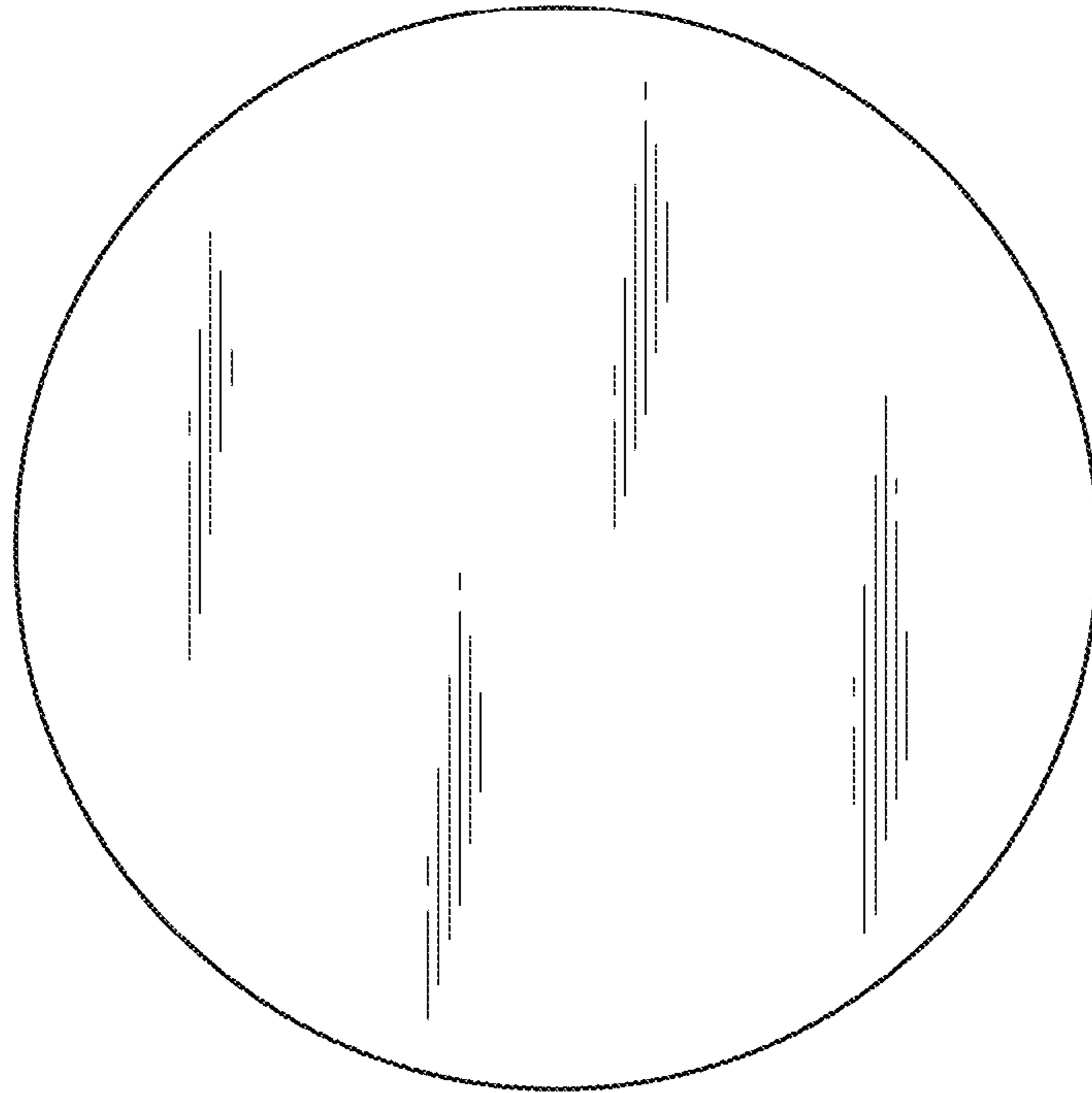


FIG. 7

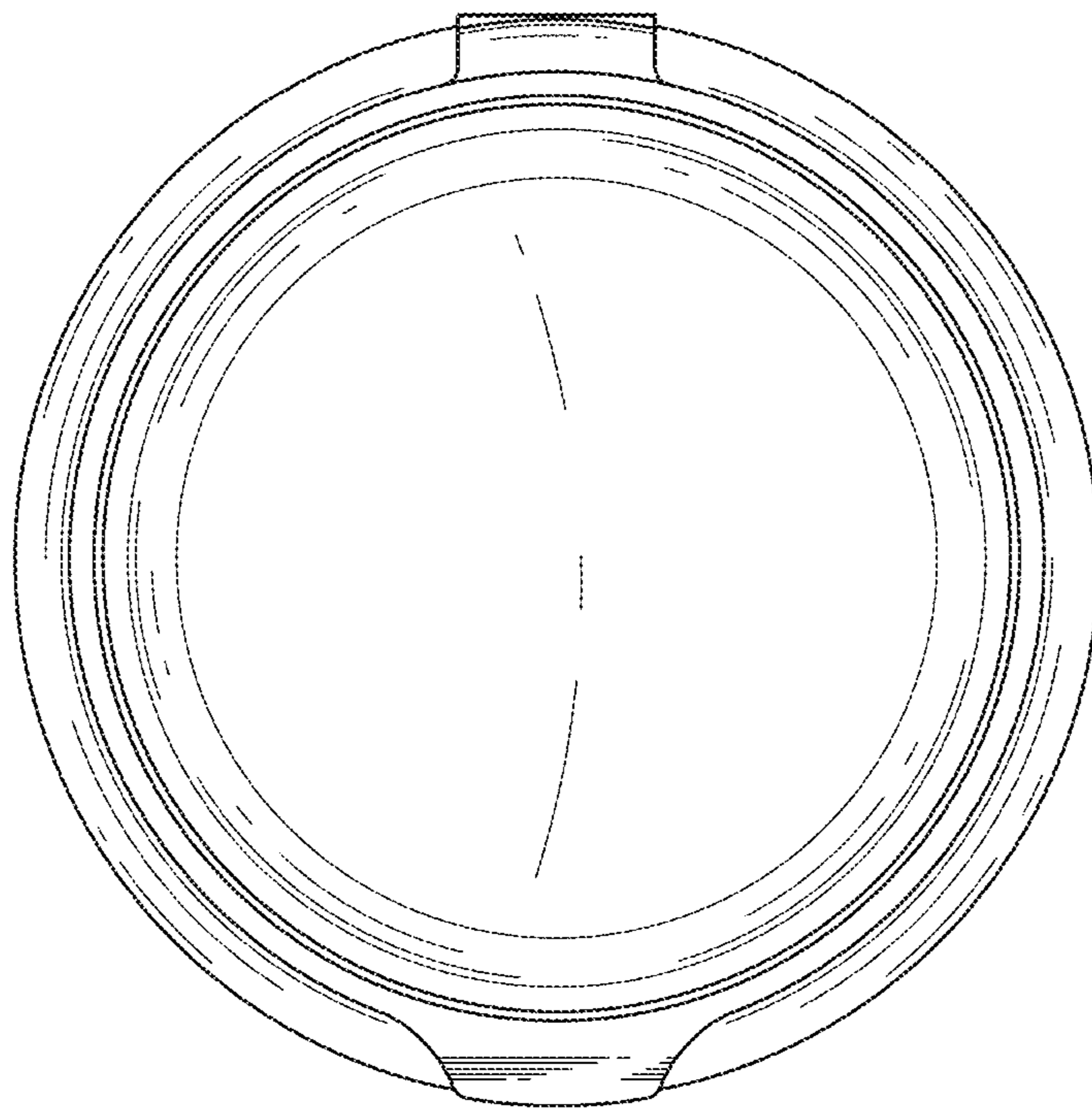


FIG. 6

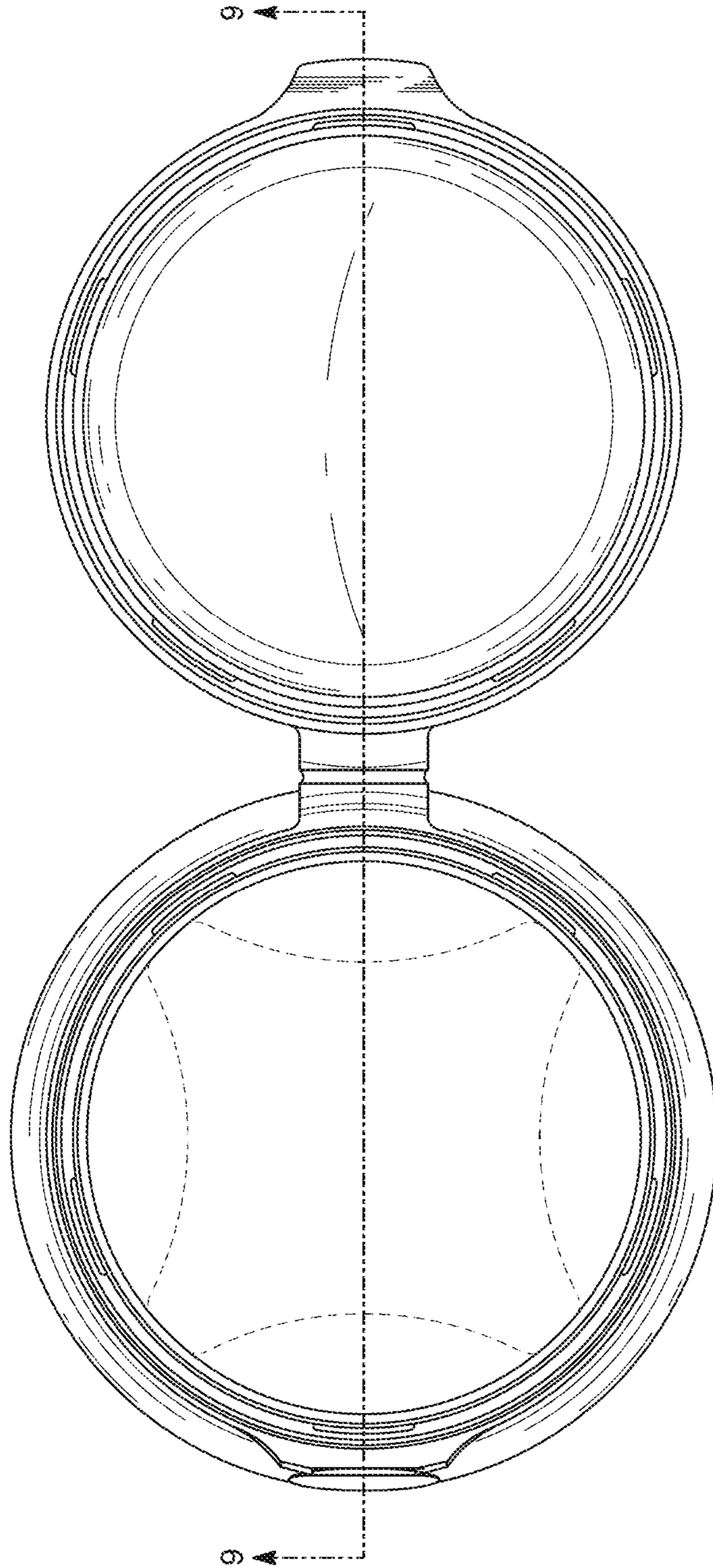


FIG. 8

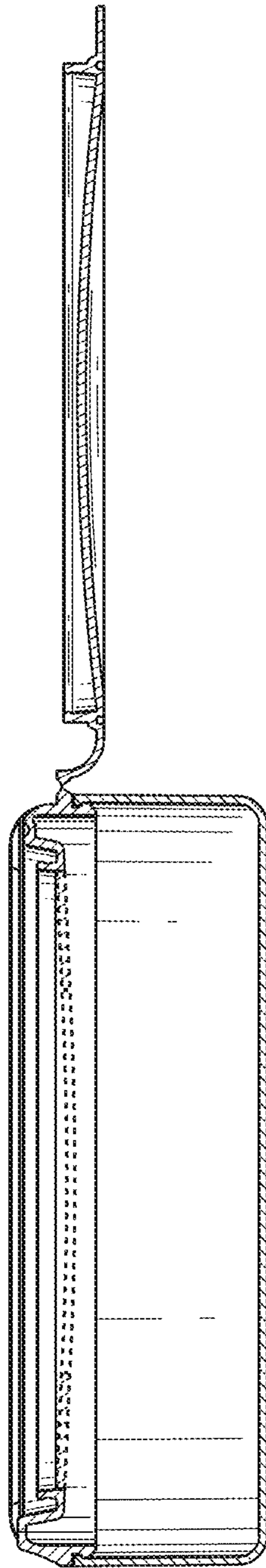


FIG. 9

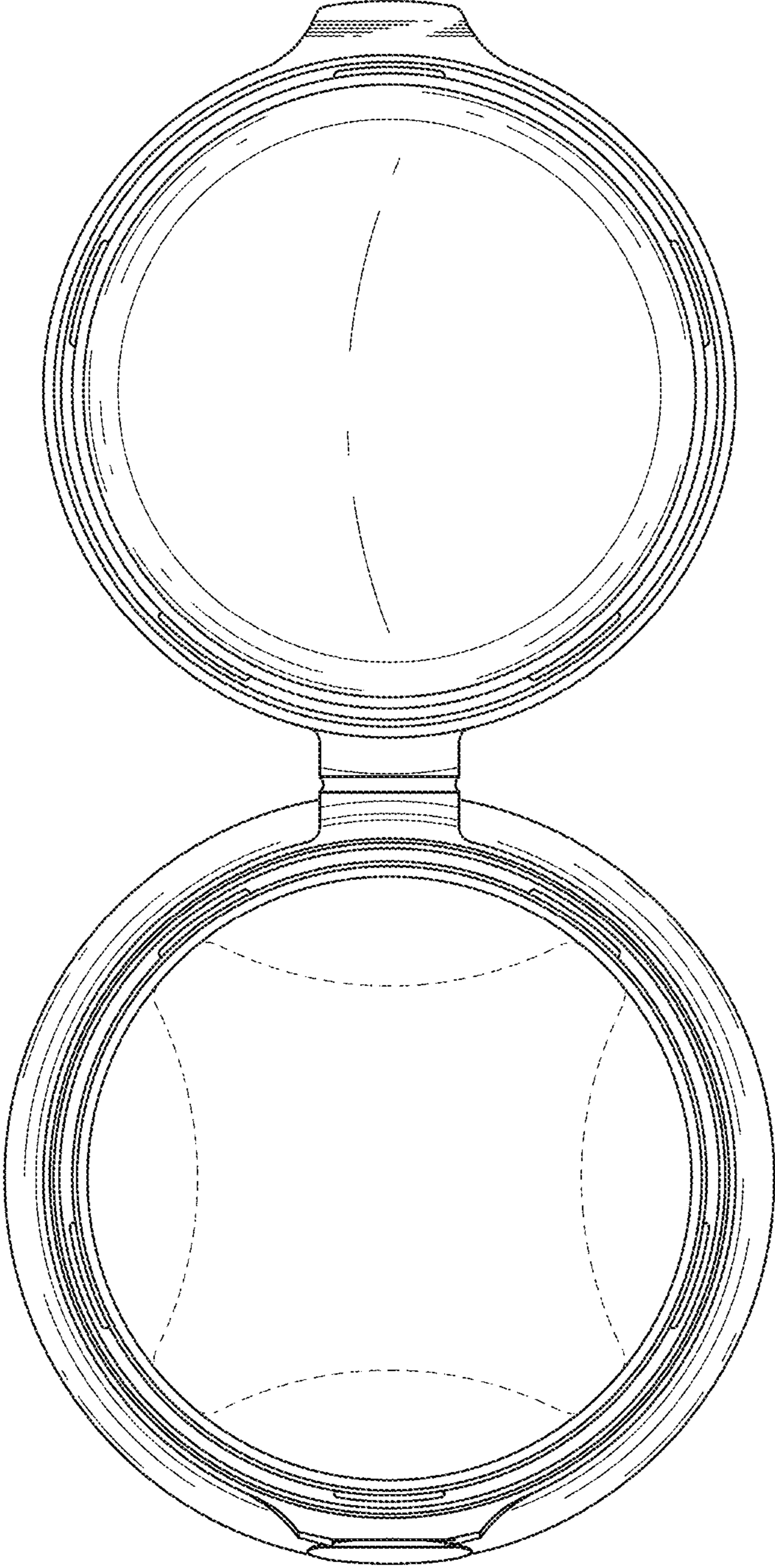


FIG. 10

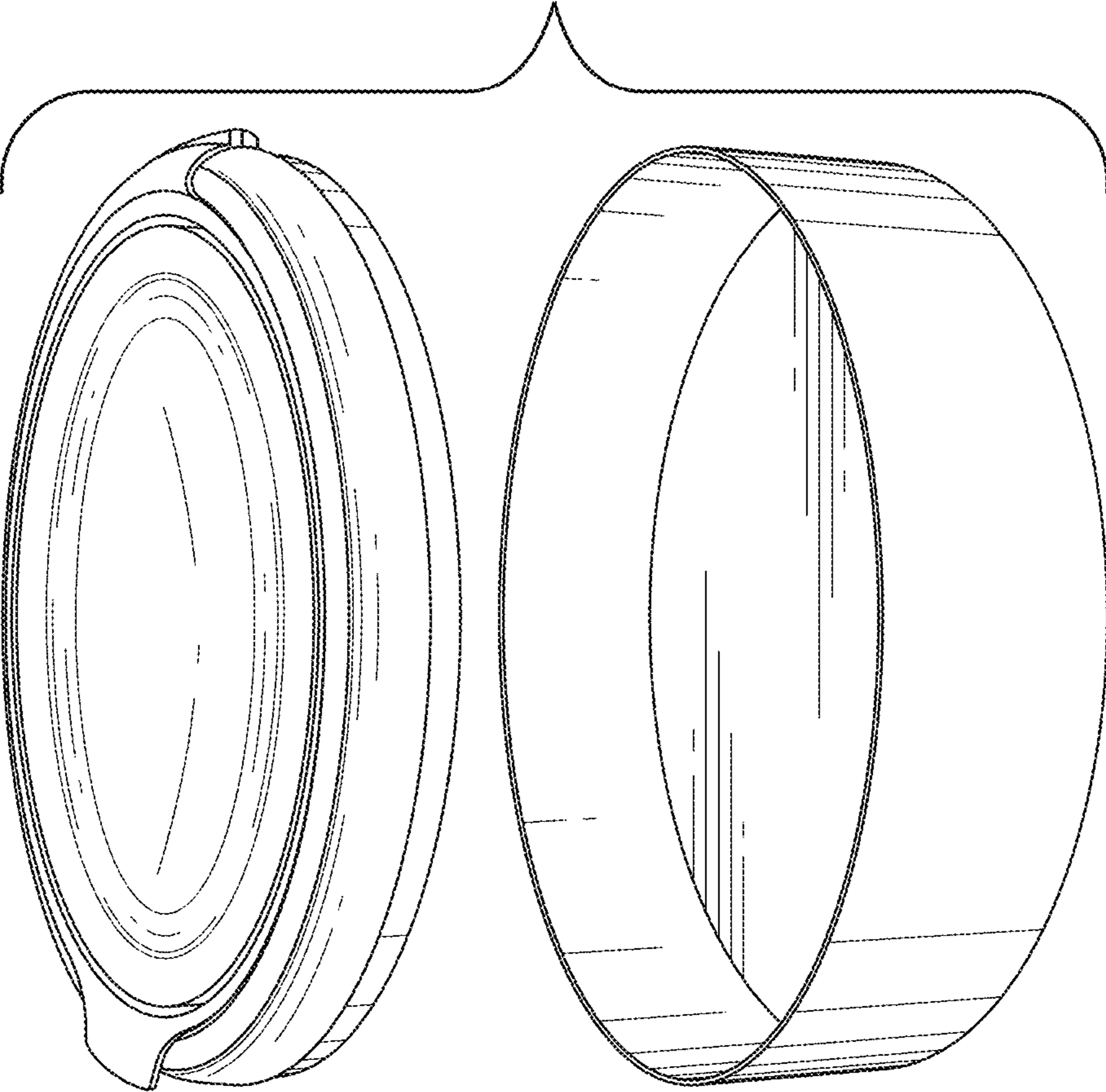


FIG. 11

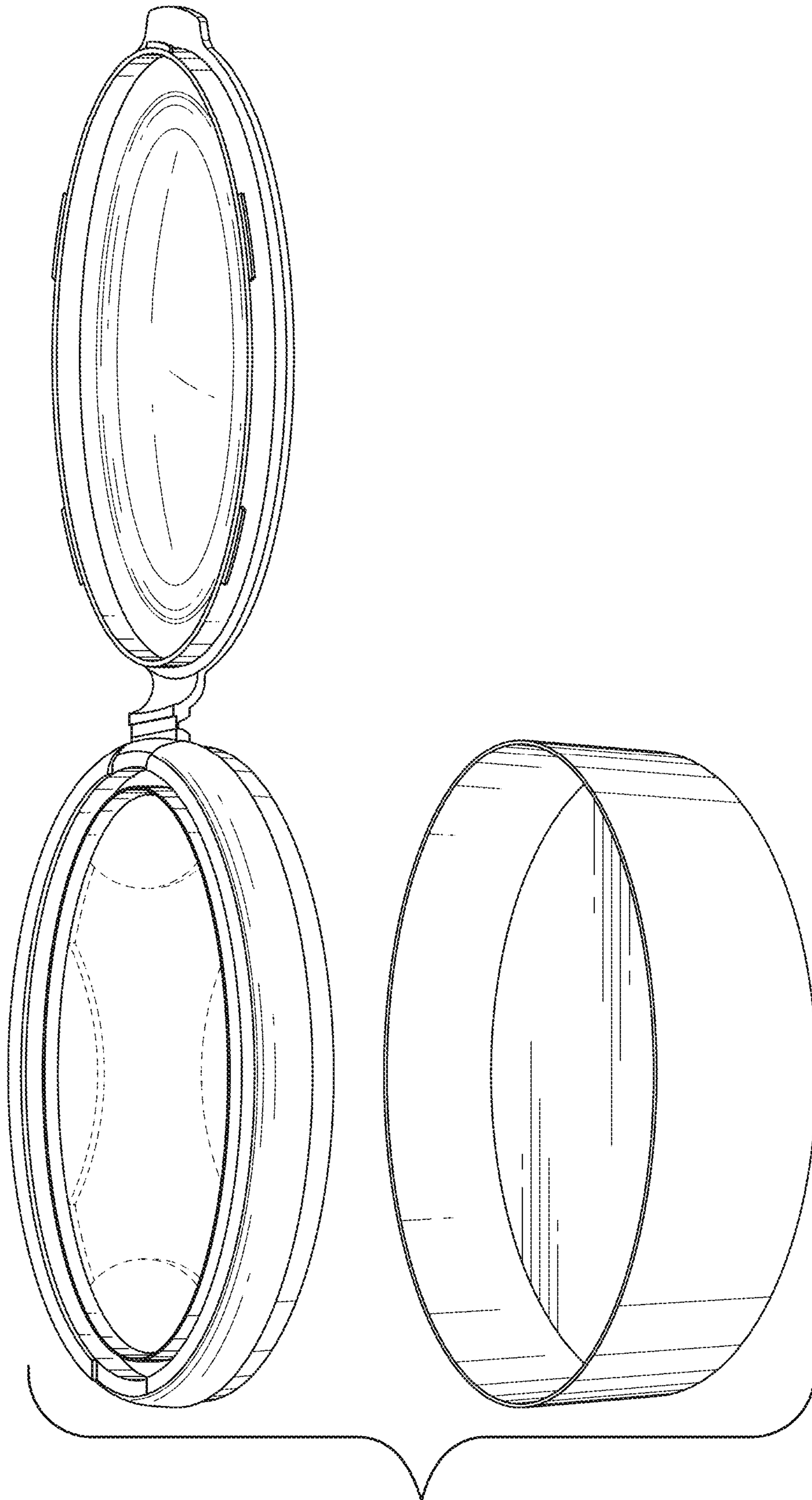


FIG. 12