



US00D983661S

(12) **United States Design Patent** (10) **Patent No.:** **US D983,661 S**
Schapira et al. (45) **Date of Patent:** **** *Apr. 18, 2023**

- (54) **BOTTLE STOPPER**
- (71) Applicant: **MSSD HOLDINGS, LLC**, Lakewood, NJ (US)
- (72) Inventors: **Martin Schapira**, Lakewood, NJ (US); **Mauricio Sanin**, Cali (CO)
- (73) Assignee: **MSSD HOLDINGS, LLC**, Lakewood, NJ (US)

- D575,639 S * 8/2008 Seeuwen D9/439
- D656,819 S * 4/2012 Porter D9/436
- D658,984 S * 5/2012 Pauser D9/454
- D664,848 S * 8/2012 DuBow D7/628

(Continued)

- (*) Notice: This patent is subject to a terminal disclaimer.
- (**) Term: **15 Years**

(21) Appl. No.: **29/770,461**

(22) Filed: **Feb. 12, 2021**

(51) **LOC (14) Cl.** **09-07**

(52) **U.S. Cl.**
USPC **D9/439; D9/680**

(58) **Field of Classification Search**
USPC D7/392.1, 396.2; D9/434-436, 444, 454, D9/499, 439, 441, 451, 600, 668, 679, D9/680
CPC ... B65D 23/102; B65D 39/0005; B65D 1/023
See application file for complete search history.

(56) **References Cited**

U.S. PATENT DOCUMENTS

- D122,184 S * 8/1940 Martin, Jr. D9/680
- D153,951 S * 5/1949 Jung D9/451
- 2,565,270 A * 8/1951 Schumacher A61H 7/003
601/154
- D266,538 S * 10/1982 Kahn D9/449
- D272,235 S * 1/1984 Orlando D9/454
- D352,003 S * 11/1994 Groene D9/436
- D428,302 S * 7/2000 Miller D7/619.1
- D551,548 S * 9/2007 Didier D9/439

OTHER PUBLICATIONS

Idea Stage. 12oz Bullet Bottle. No date specified. <https://www.ideastage.com/12-Oz-Bullet-Bottle-965491493> (Year: 0).*

(Continued)

Primary Examiner — Darcey E Gottschalk
(74) *Attorney, Agent, or Firm* — Alozie Etufugh, Esq.

(57) **CLAIM**

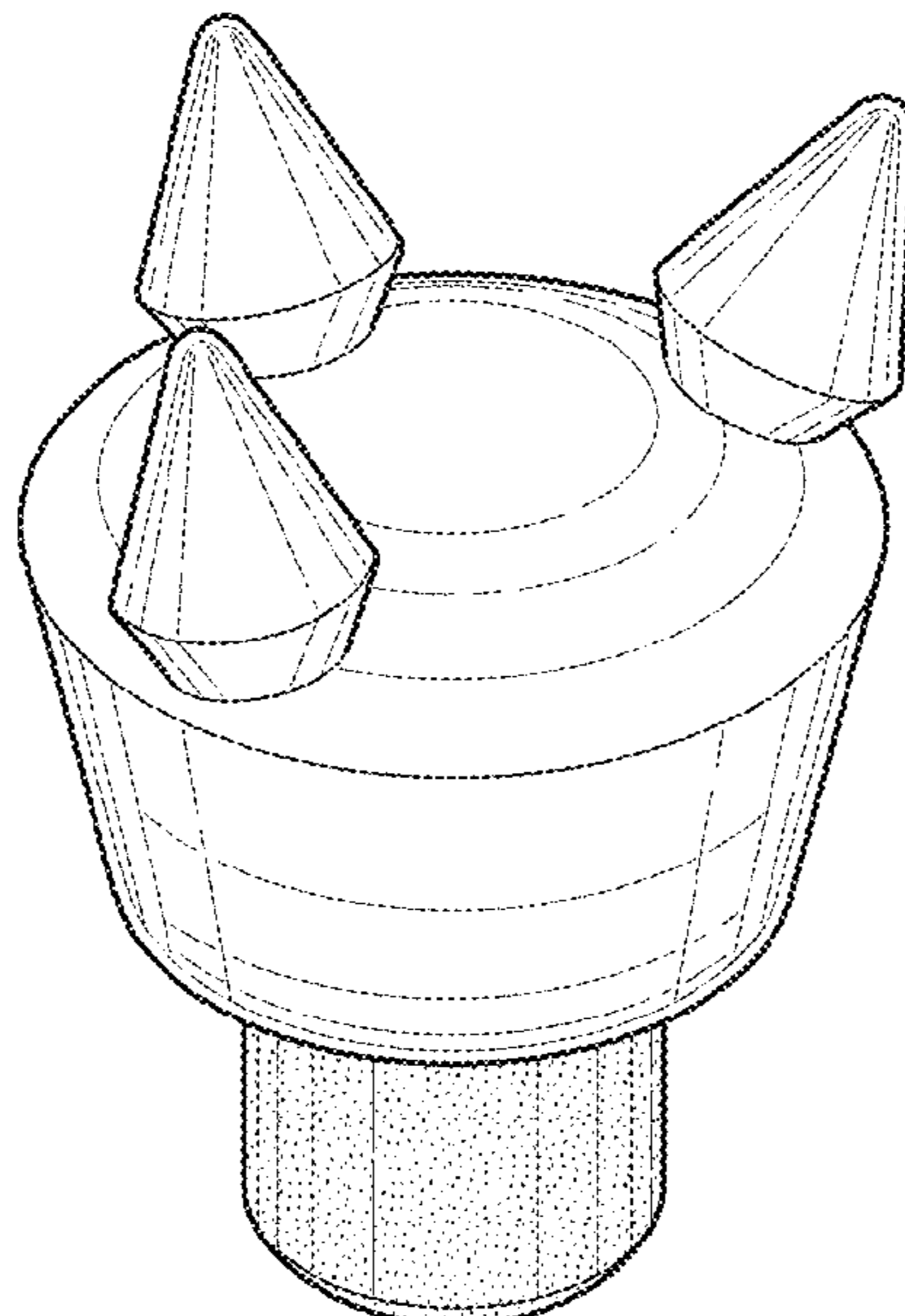
We claim the ornamental design for a bottle stopper, as shown and described.

DESCRIPTION

A portion of the disclosure of this patent document contains material which is subject to copyright protection. The copyright owner has no objection to the facsimile reproduction of the patent disclosure as it appears in the United States Patent and Trademark Office patent files or records, but otherwise reserves all copyright rights whatsoever.

FIG. 1 is a top perspective view of a bottle stopper design; FIG. 2 is a front view thereof; FIG. 3 is a rear view thereof; FIG. 4 is a right side view thereof; FIG. 5 is a left side view thereof; FIG. 6 is a top view thereof; FIG. 7 is a bottom side view thereof; and, FIG. 8 is a top perspective view of the bottle stopper positioned within a bottle thereof. The stippled shading in the drawings indicates a contrast in appearance. In the drawings, the broken lines show a bottle that forms no part of the claim.

1 Claim, 5 Drawing Sheets



(56)

References Cited

U.S. PATENT DOCUMENTS

D955,218 S * 6/2022 Smith D9/439
11,440,703 B1 * 9/2022 Schapira B65D 23/102

OTHER PUBLICATIONS

GLO 30. bKR Glass Water Bottle (spiked). No date specified,
<https://gloonthego.co/products/bkr-glass-water-bottle-luxury-bpa-free-water-bottle-smooth-silicone-sleeve-fifth-ave-opaque-midnight-navy-kiss-kit-leak-proof-narrow-neck-dishwasher-safe> (Year: 0).*

* cited by examiner

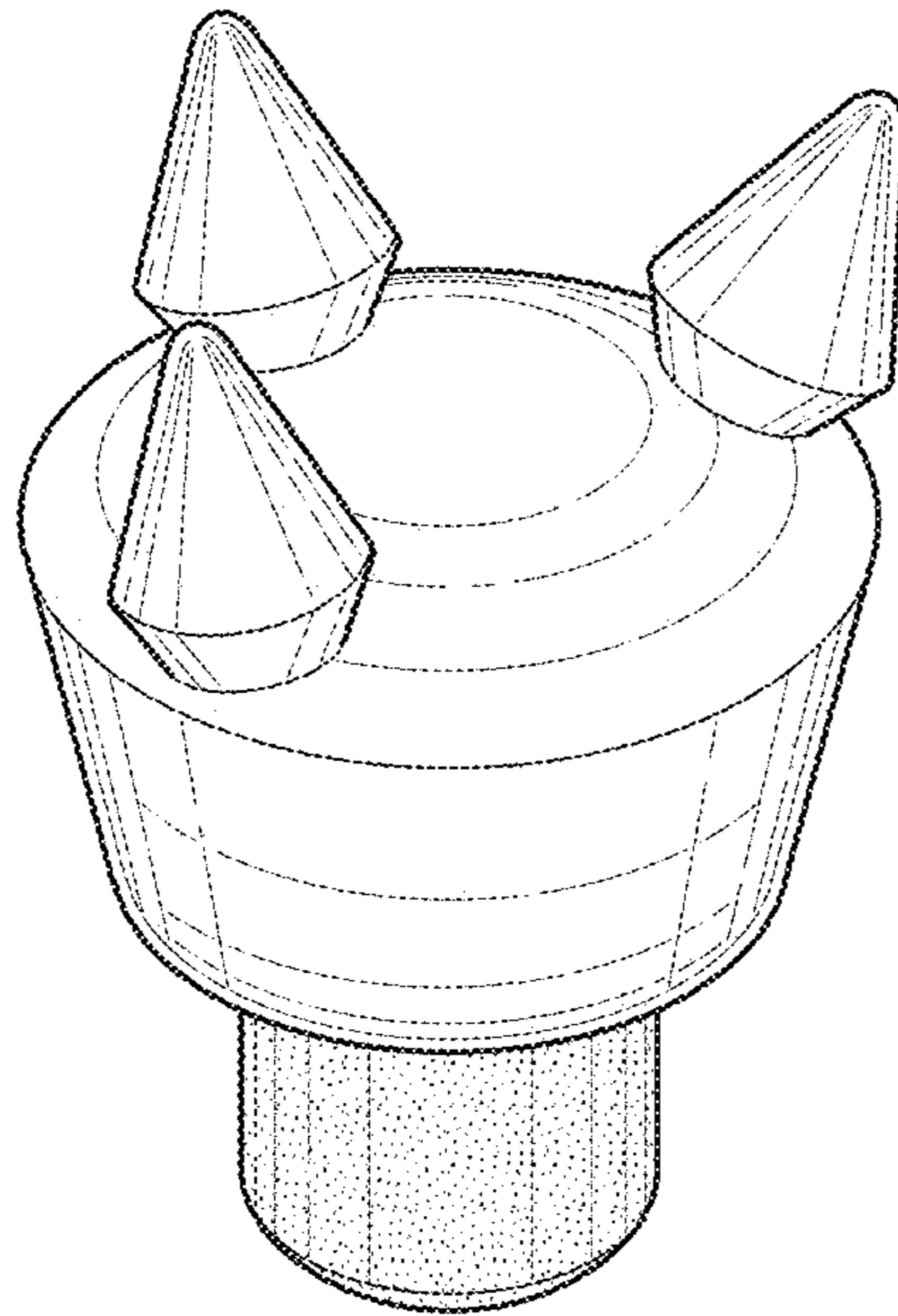


FIG. 1

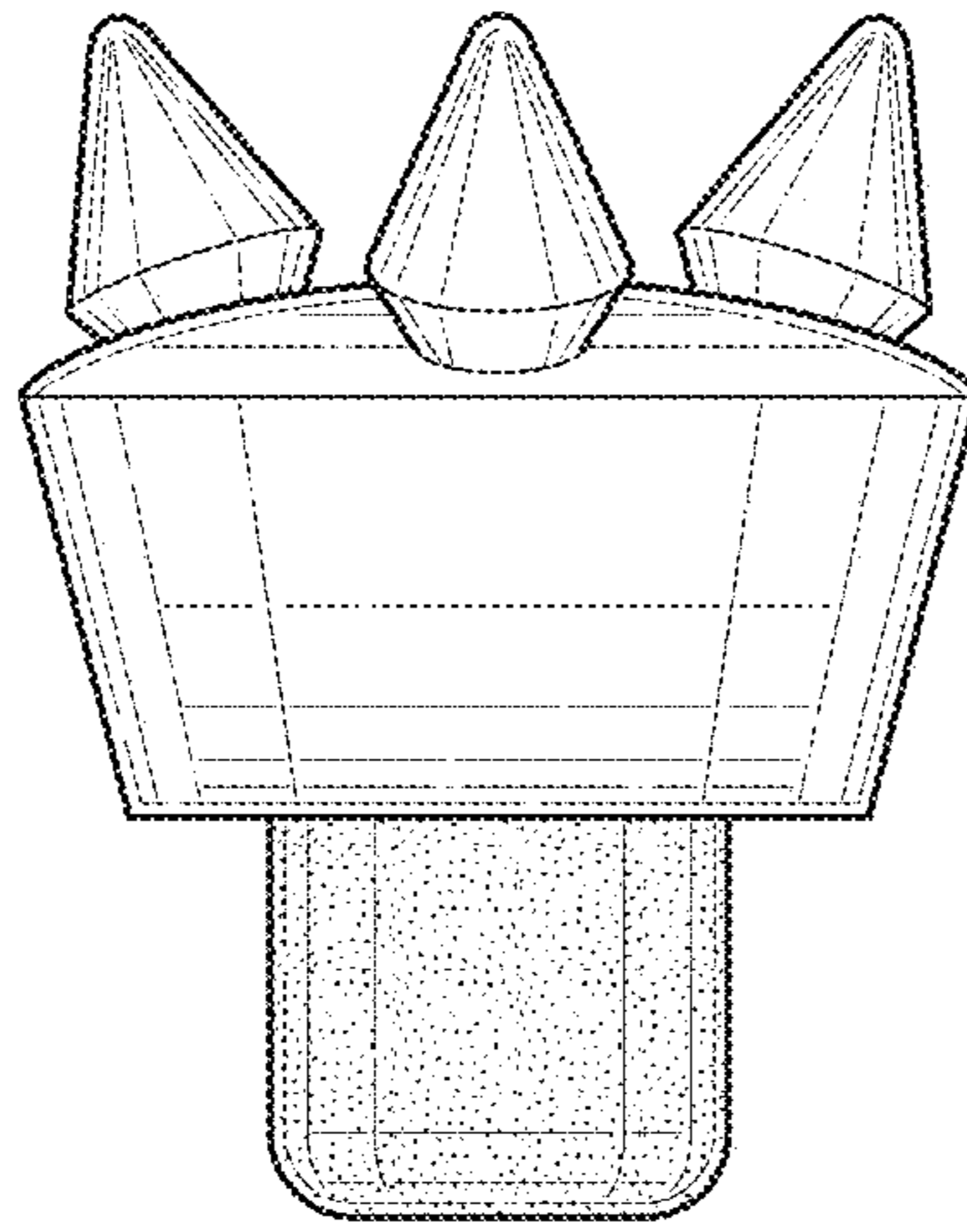


FIG. 2

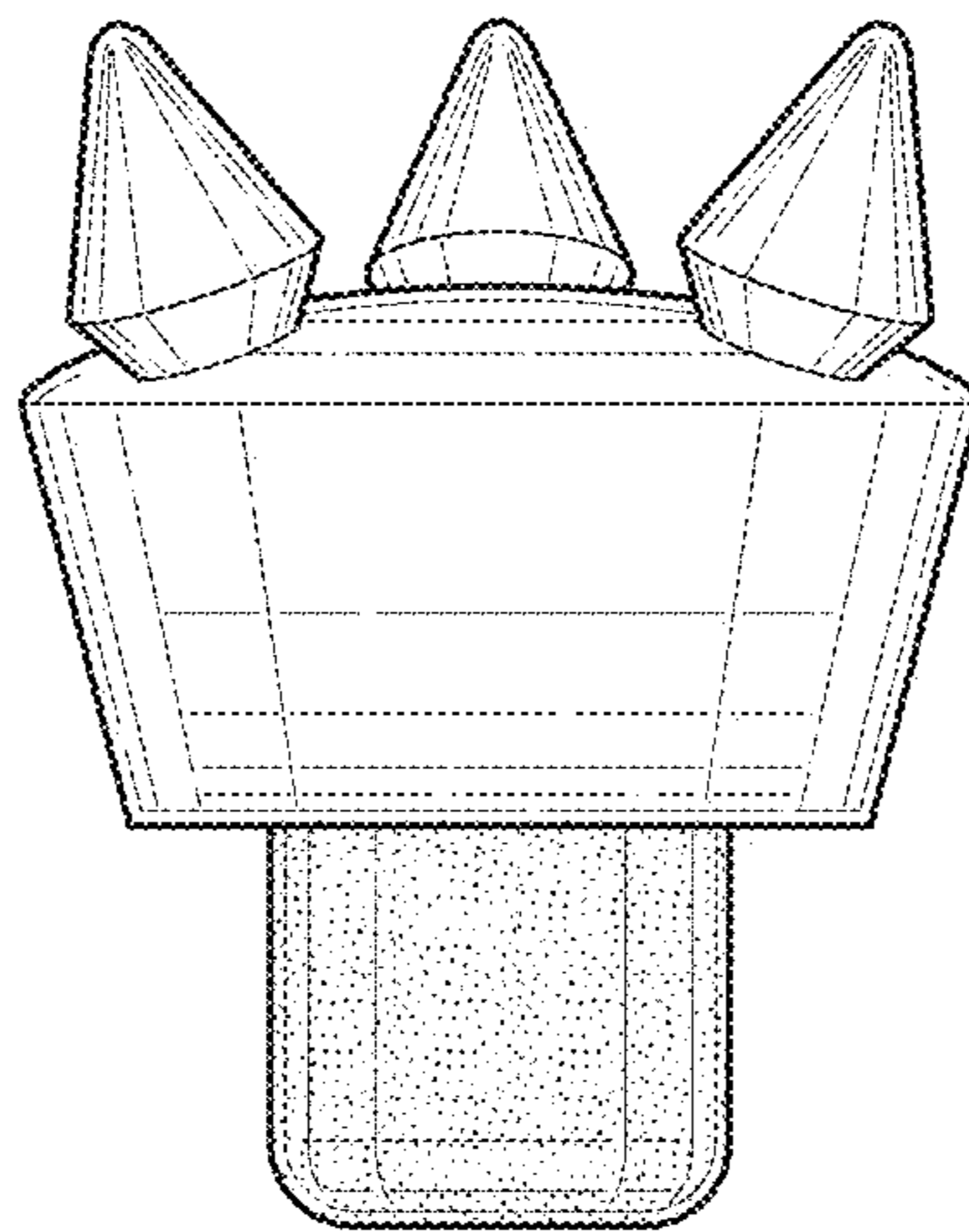


FIG. 3

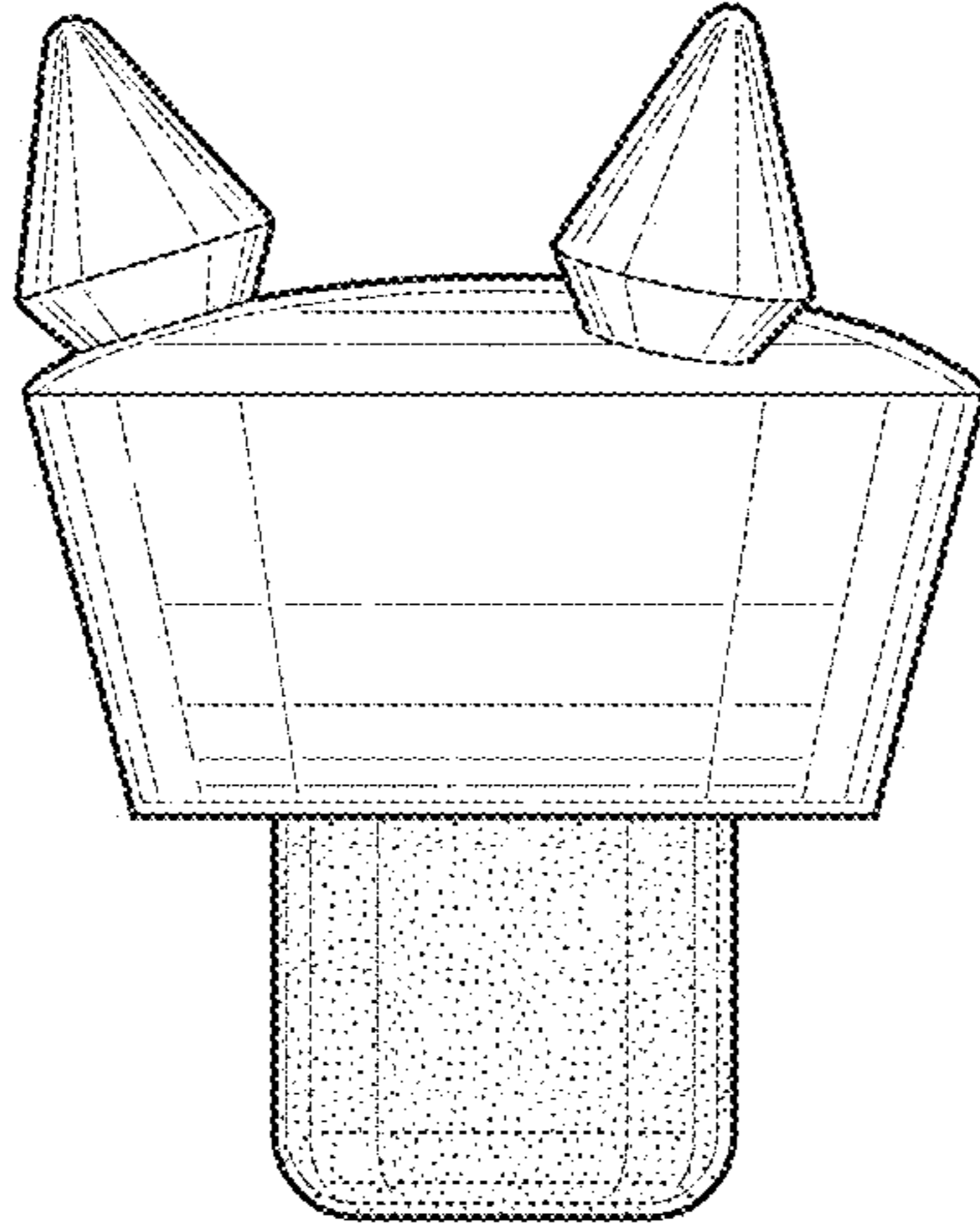


FIG. 4

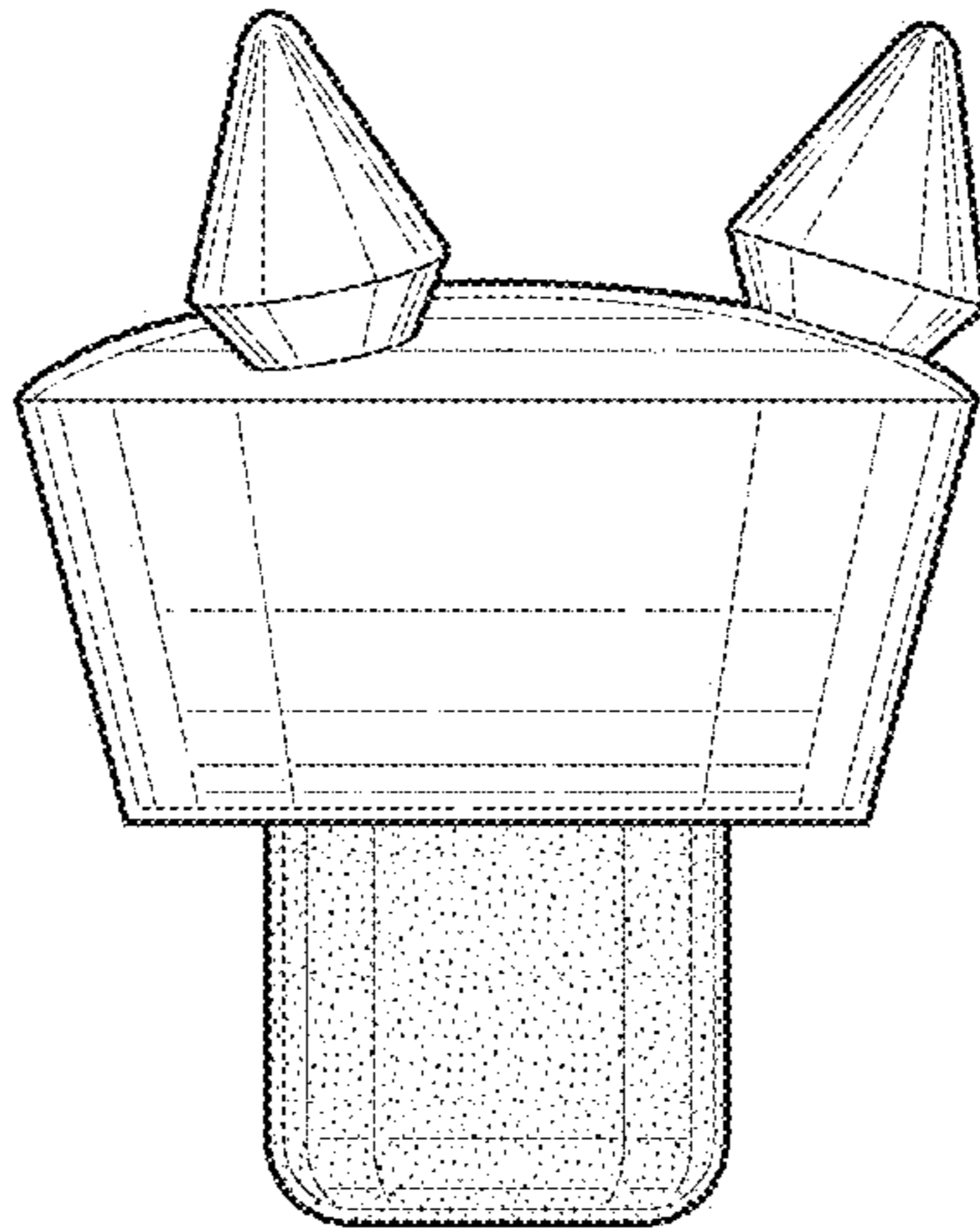


FIG. 5

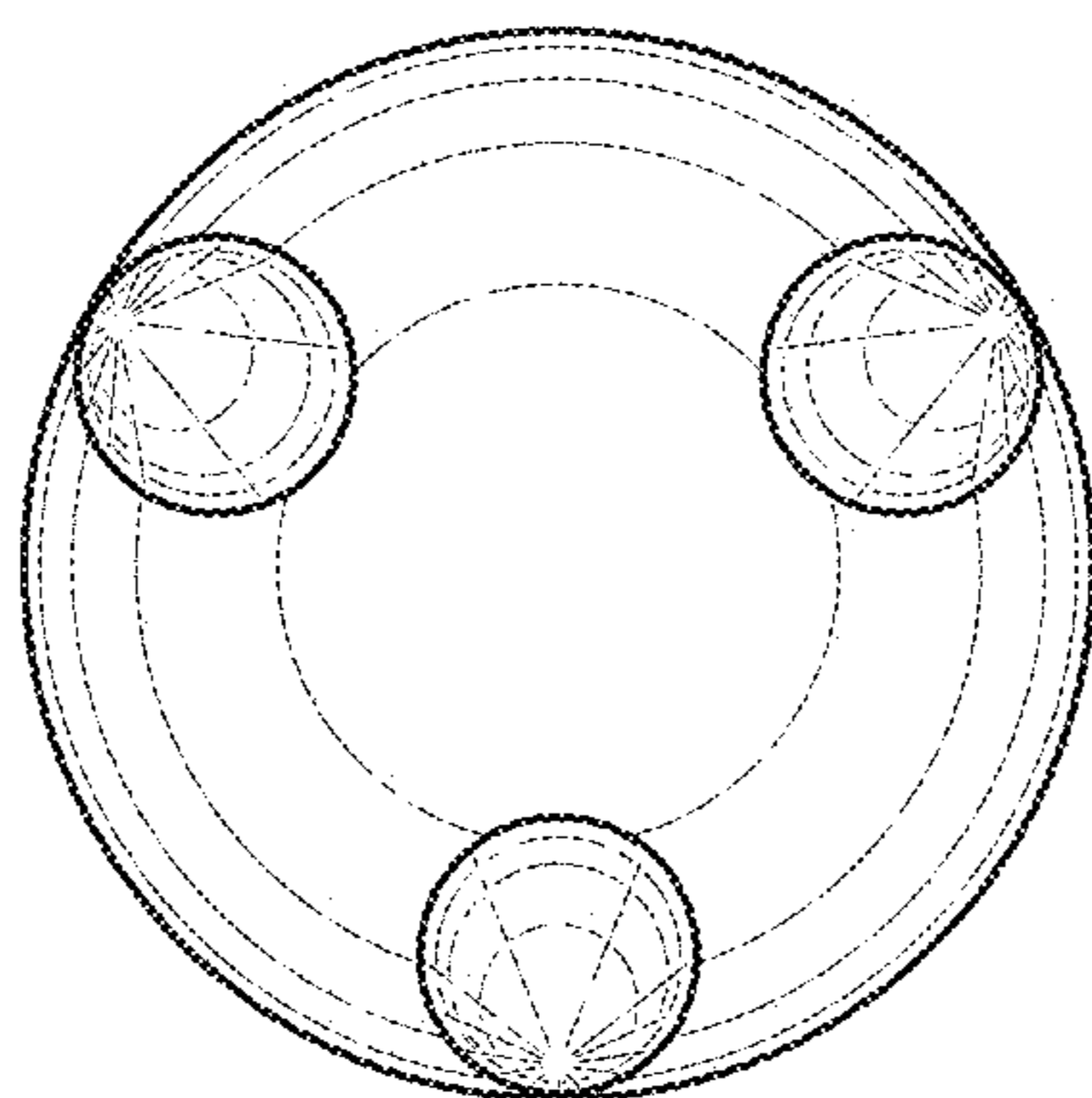


FIG. 6

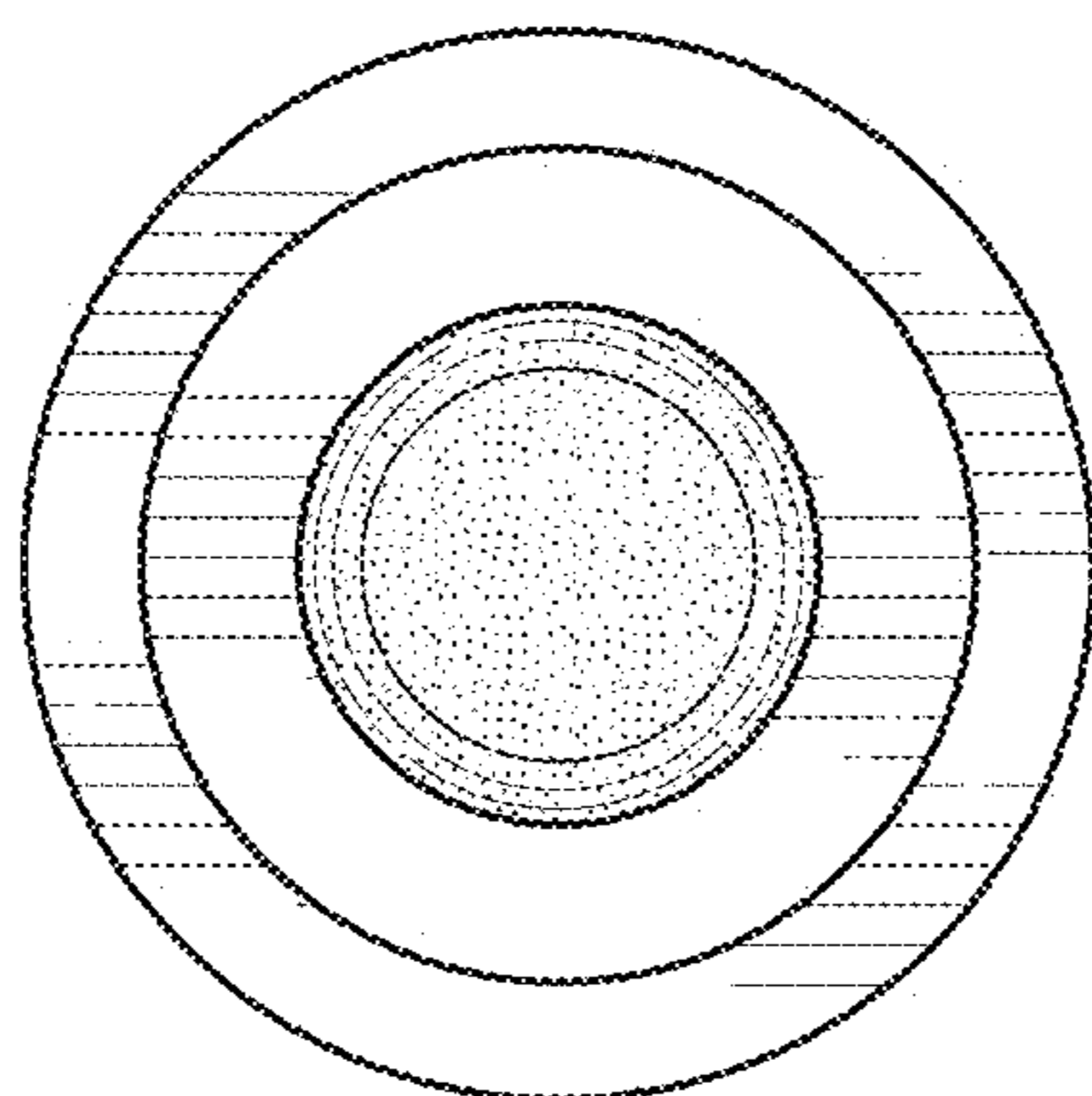


FIG. 7

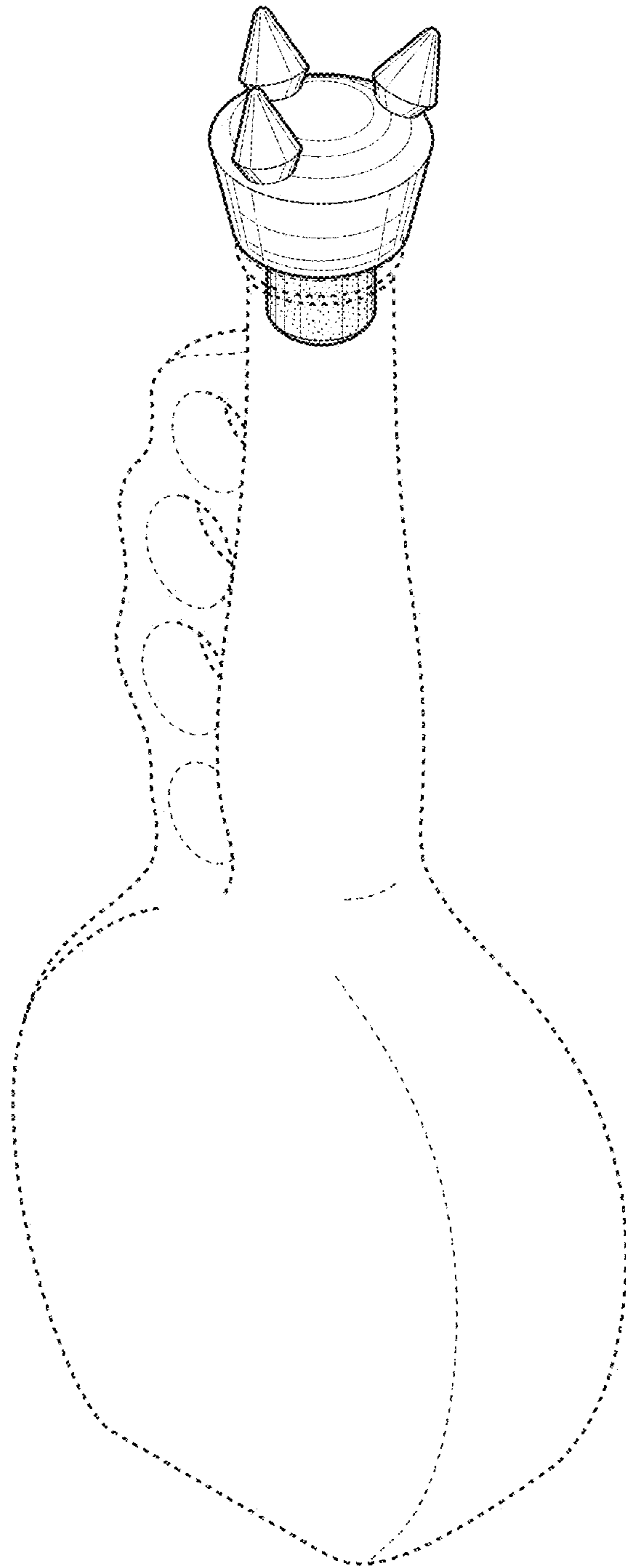


FIG. 8