



US00D983660S

(12) **United States Design Patent**
Pola et al.

(10) **Patent No.:** **US D983,660 S**
(45) **Date of Patent:** **** Apr. 18, 2023**

(54) **LID WITH ENGAGEMENT AREA FOR A SNACK CUP**

(71) Applicants: **Richard Pola**, Hermosa Beach, CA (US); **Adrian Miranda**, Torrance, CA (US); **Omar Khalid**, Redondo Beach, CA (US)

(72) Inventors: **Richard Pola**, Hermosa Beach, CA (US); **Adrian Miranda**, Torrance, CA (US); **Omar Khalid**, Redondo Beach, CA (US)

(**) Term: **15 Years**

(21) Appl. No.: **29/694,563**

(22) Filed: **Jun. 11, 2019**

Related U.S. Application Data

(63) Continuation-in-part of application No. 15/263,326, filed on Sep. 12, 2016, now abandoned.

(51) **LOC (14) Cl.** **09-07**

(52) **U.S. Cl.**
USPC **D9/436**

(58) **Field of Classification Search**
USPC D3/201, 273, 318, 319, 323; D7/505, D7/507, 509, 511, 601, 602, 387, 391, D7/392, 396.1, 396.2, 396; D9/723, 724, D9/434, 435, 436, 439, 440, 442, 447,
(Continued)

(56) **References Cited**

U.S. PATENT DOCUMENTS

140,919 A * 7/1873 Hawkings B65D 51/28
220/521
1,665,289 A 4/1928 Weaver
2,240,020 A 4/1941 Raiser
(Continued)

FOREIGN PATENT DOCUMENTS

TW M457701 U1 11/2012
WO 2018/071996 A1 4/2018

OTHER PUBLICATIONS

Exultimate 2 in 1 Snack and Drink Cup for Kids: Announced Feb. 10, 2021 (online). Site Visited [Jun. 10, 2022]. Available from Internet URL: https://www.amazon.com/Exultimate-Snack-Drink-Tumbler-Plastic/dp/B08WG52PFL/ref=sr_1_123?keywords=snack+cups&qid=1654879377&sr=8-123.*

(Continued)

Primary Examiner — Catherine S Posthauer

(74) *Attorney, Agent, or Firm* — Law Office of David Hong

(57) **CLAIM**

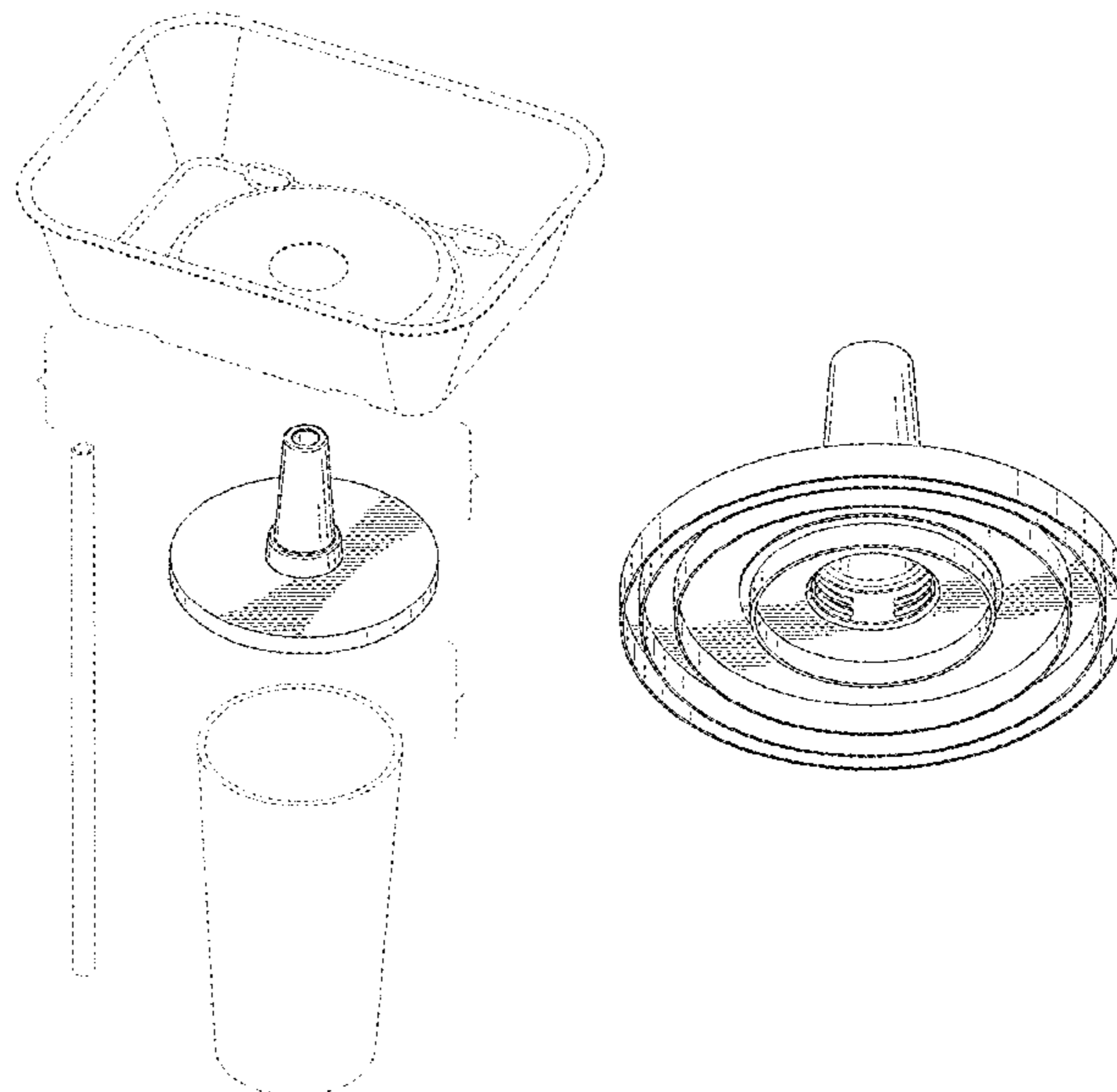
The ornamental design for a lid with engagement area for a snack cup, as shown and described.

DESCRIPTION

FIG. 1 is a top perspective view of our new design for a lid with engagement area for a snack cup, shown in a position of use with exemplary environmental subject matter; FIG. 2 is an exploded perspective view thereof; FIG. 3 is a perspective view thereof, shown with the exemplary environmental subject matter removed to show aspects of the design not visible when combined; FIG. 4 is a bottom perspective view thereof; FIG. 5 is a top plan view thereof; FIG. 6 is a bottom plan view thereof; FIG. 7 is a side elevation view thereof; and, FIG. 8 is cross-sectional view thereof, taken in the direction of line 8-8 on FIG. 6.

The broken lines shown in the drawing views are included for the purpose of showing environmental structure that forms no part of the claimed design.

1 Claim, 5 Drawing Sheets



(58) **Field of Classification Search**
 USPC D9/452, 454, 455, 456; D23/206, 238,
 D23/249, 259, 260; D10/113.2
 CPC B65D 51/28; B65D 41/56; B65D 43/01;
 B65D 43/0212; B65D 47/08; B65D
 21/0213; B65D 1/26; B65D 1/34; B65D
 1/36; B65D 21/083; B65D 25/06; B65D
 25/2891; B65D 55/16; A47G 19/2211;
 A47G 19/22; A47G 19/06; A47G
 19/2222; A45F 3/16; B67C 11/02
 See application file for complete search history.

(56) **References Cited**

U.S. PATENT DOCUMENTS

2,321,519 A 6/1943 Rubinoff
 2,565,912 A 8/1951 Davis
 2,604,976 A 7/1952 Sarg
 2,836,323 A 5/1958 Robinson
 2,920,804 A 1/1960 Minton
 2,948,452 A * 8/1960 Grogan B65D 85/78
 229/932
 3,115,251 A 12/1963 Farrell
 3,179,320 A 4/1965 Ward
 3,288,344 A 11/1966 Woollen
 3,323,706 A 6/1967 Gereke
 D211,532 S 6/1968 Ashton
 3,482,731 A * 12/1969 Douty B65D 25/24
 215/377
 D227,851 S 7/1973 Nowland
 3,955,672 A 5/1976 Brundage
 3,998,351 A 12/1976 Smith
 4,027,779 A 6/1977 De Long
 4,226,355 A * 10/1980 Helfrich, Jr. A23G 9/44
 229/932
 4,417,504 A 11/1983 Yamamoto
 4,428,498 A 1/1984 Obey
 4,461,396 A 7/1984 Harper
 D278,034 S * 3/1985 Cafiero D9/437
 4,595,099 A 6/1986 Zaruba
 D286,250 S 10/1986 Prescott
 4,732,274 A 3/1988 Bouton
 D297,799 S 9/1988 Hammer
 D303,194 S 9/1989 Darby
 D304,659 S 11/1989 Asner
 4,927,024 A 5/1990 Lloyd
 4,938,373 A 7/1990 Mckee
 D317,222 S * 6/1991 Dodge D1/102
 D318,427 S 7/1991 Sherburne
 5,058,737 A 10/1991 Patterson
 5,060,820 A 10/1991 Boerner
 5,083,674 A 1/1992 Clark
 5,085,330 A 2/1992 Paulin
 5,176,283 A 1/1993 Patterson
 5,180,079 A 1/1993 Jeng
 5,207,743 A 5/1993 Costerella
 5,240,136 A 8/1993 Patterson
 5,249,700 A 10/1993 Dumke
 5,275,288 A 1/1994 Lockett
 5,292,028 A 3/1994 Patterson
 5,325,962 A 7/1994 Ouellette
 RE34,703 E 8/1994 Zilliox
 D351,085 S 10/1994 Schmidt
 D363,644 S 10/1995 Wyatt
 D366,395 S 1/1996 Wyatt
 D369,527 S * 5/1996 Tesoriero D7/620
 5,695,052 A 12/1997 Damato
 D389,020 S 1/1998 LaJoie
 D395,936 S * 7/1998 Zada D1/118
 D397,911 S 9/1998 Waldmann
 5,803,305 A 9/1998 Perlis
 5,853,104 A 12/1998 Rathjen

6,138,860 A 10/2000 Comeaux
 6,230,764 B1 * 5/2001 Rodman A23G 9/503
 229/932
 6,338,417 B1 1/2002 Ferraro
 D453,472 S * 2/2002 Kwong D9/447
 6,360,885 B1 3/2002 Krueger
 6,425,480 B1 7/2002 Krueger
 6,706,297 B1 3/2004 Toth
 D507,933 S 8/2005 Carmichael
 D509,994 S 9/2005 Hadland
 D526,851 S 8/2006 Groff
 7,217,434 B1 5/2007 Loh
 D557,072 S 12/2007 Lim
 D577,258 S * 9/2008 Mansfield D7/509
 8,672,175 B2 3/2014 Farmer
 8,807,372 B2 8/2014 Kao
 8,939,312 B1 * 1/2015 Buck B65D 81/3205
 220/709
 D731,240 S * 6/2015 Bell D7/392.1
 9,078,535 B1 * 7/2015 Buck A47G 19/2205
 D753,489 S * 4/2016 Shaw D9/454
 D818,823 S * 5/2018 Blachford D9/447
 D824,602 S * 7/2018 Danenberg D30/129
 D829,044 S * 9/2018 Slown D7/391
 D840,814 S * 2/2019 Willis D9/447
 D852,041 S * 6/2019 Avilés D24/220
 D852,042 S * 6/2019 Dahbura D9/503
 10,370,148 B2 * 8/2019 Buck B65D 21/0223
 D867,880 S * 11/2019 Sacchetti D24/112
 D887,269 S * 6/2020 Marik D9/453
 D910,443 S * 2/2021 Chou D9/447
 D912,461 S * 3/2021 Mendez D7/392.1
 D943,416 S * 2/2022 Kim D9/447
 D947,025 S * 3/2022 Diaz D9/439
 2004/0099670 A1 5/2004 Michaeli
 2006/0261075 A1 11/2006 MacCarthy
 2007/0029331 A1 2/2007 George
 2008/0142528 A1 6/2008 Lim
 2011/0095032 A1 4/2011 Evans
 2012/0168325 A1 7/2012 Suarez
 2014/0175097 A1 * 6/2014 Kao B65D 77/2024
 220/212
 2014/0346169 A1 11/2014 Strominger

OTHER PUBLICATIONS

Parent's Choice Drink and Snack Cup: Announced [Aug. 13, 2019 (online)]. Site Visited [Jun. 10, 2022]. Available from Internet URL: <https://www.walmart.com/ip/Parent-s-Choice-Drink-And-Snack-1-pack/1170571>.*

Snackeez Duo 30 Piece Plastic Snack and Drink Traveler Cup Set: Announced [May 15, 2016 (online)]. Site Visited [Jun. 10, 2022]. Available from Internet URL: <https://www.walmart.com/ip/Snackeez-Duo-30-Piece-Plastic-Snack-and-Drink-Traveler-Cup-Set-Disposable-Reusable-and-Recyclable-As-Seen-on-TV%E2%80%A6>.*

U.S. Appl. No. 62/216,957, filed Sep. 10, 2015; Pola; "Attachable Cups for Holding Snacks."

U.S. Appl. No. 15/263,326, filed Sep. 12, 2016; Pola; "attachable cups for holding snacks."

U.S. Appl. No. 62/574,201, filed Oct. 18, 2017; Pola; improvement for attachable cups for holding snacks.

U.S. Appl. No. 62/747,660, filed Oct. 18, 2018; Pola.

U.S. Appl. No. 62/852,740, filed May 24, 2019; Pola; "improvement for attachable cups for holding snacks."

U.S. Appl. No. 29/667,028, filed Oct. 17, 2018; Pola; "Snack Holder with Cup."

U.S. Appl. No. 29/694,563, filed Jun. 11, 2019; Pola; "a lid with engagement area for a snack cup."

U.S. Appl. No. 62/369,023, filed Jul. 29, 2016; Pola; "attachments for bottles and cans."

* cited by examiner

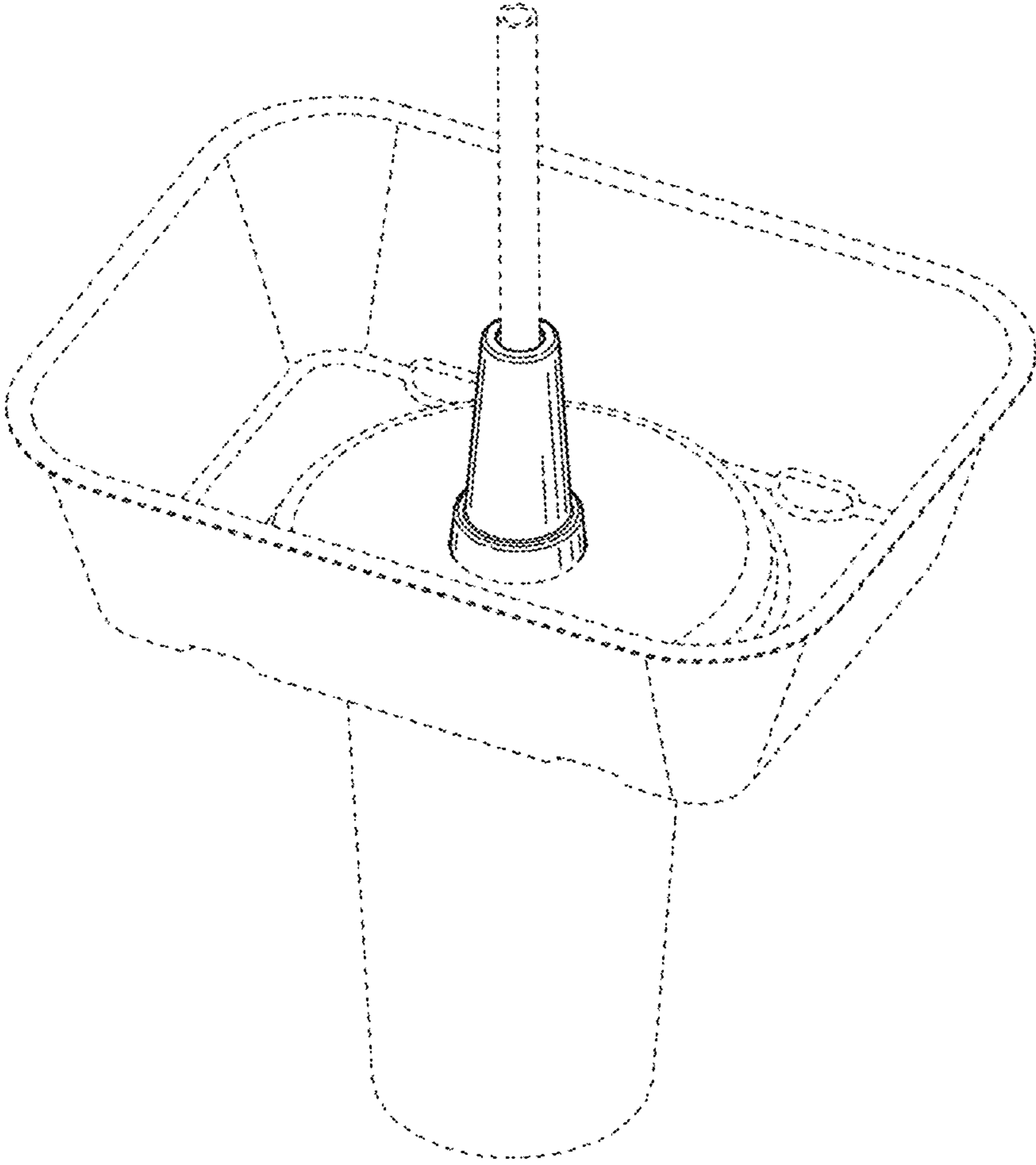


FIG. 1

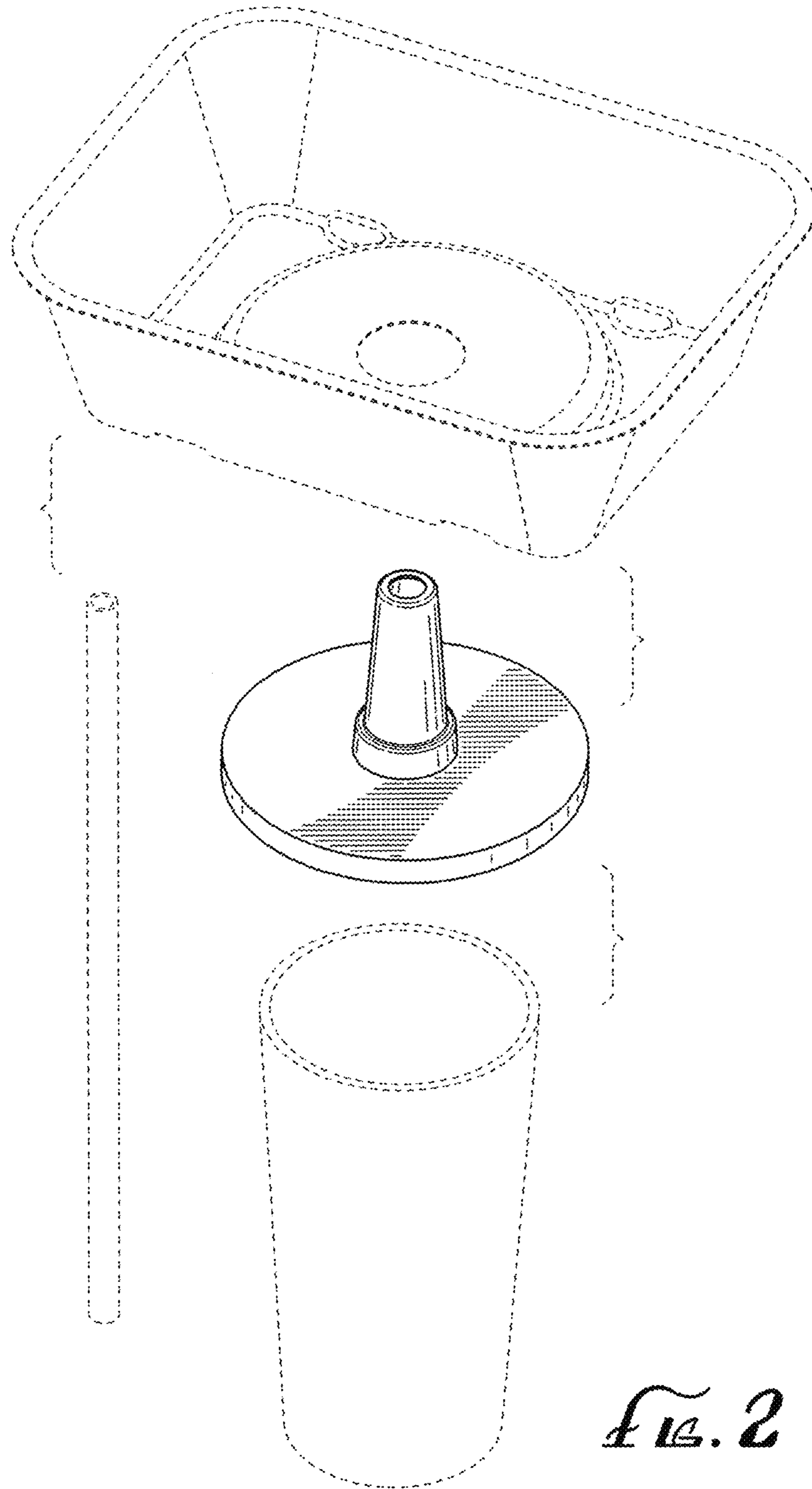


FIG. 2

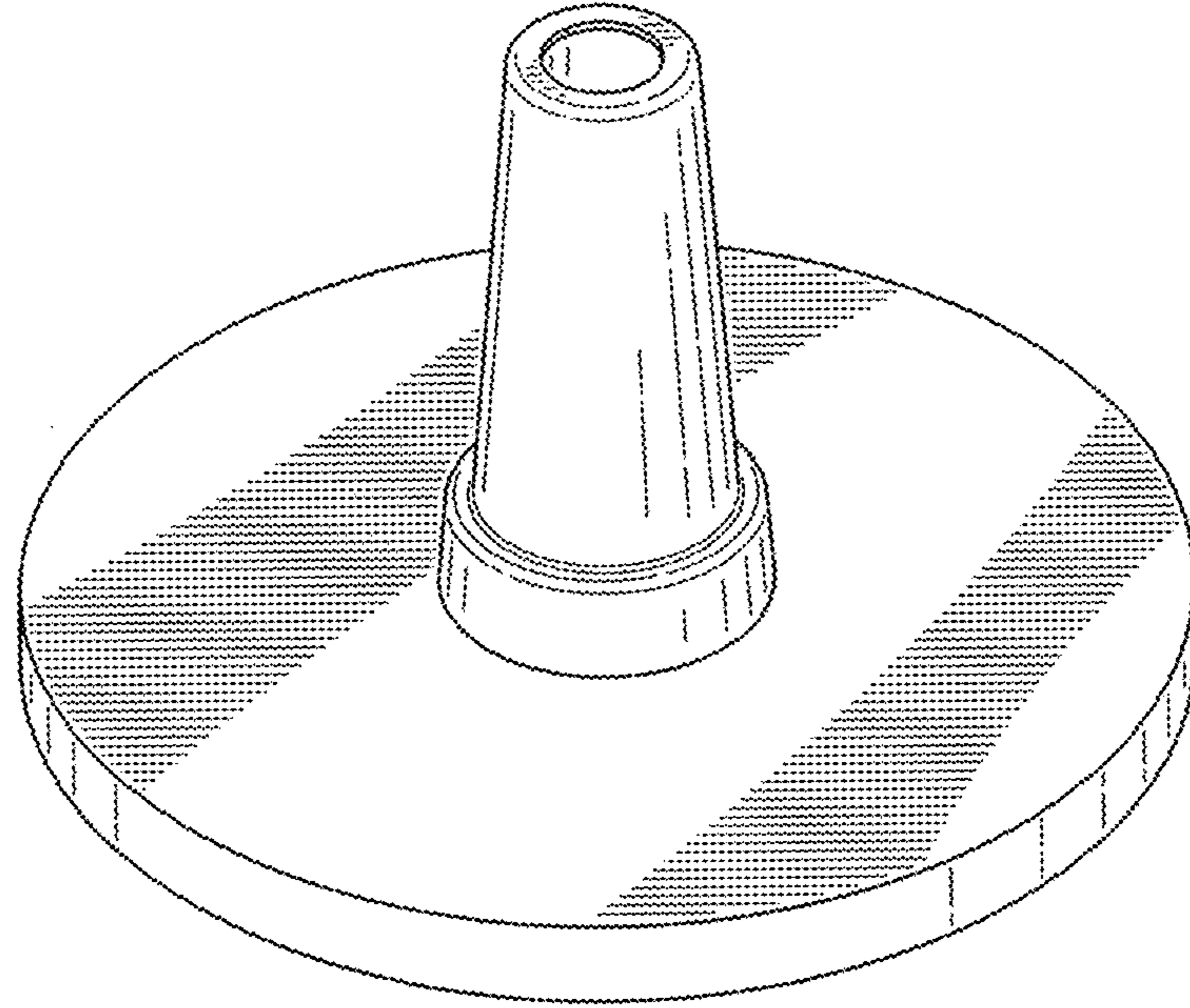


FIG. 3

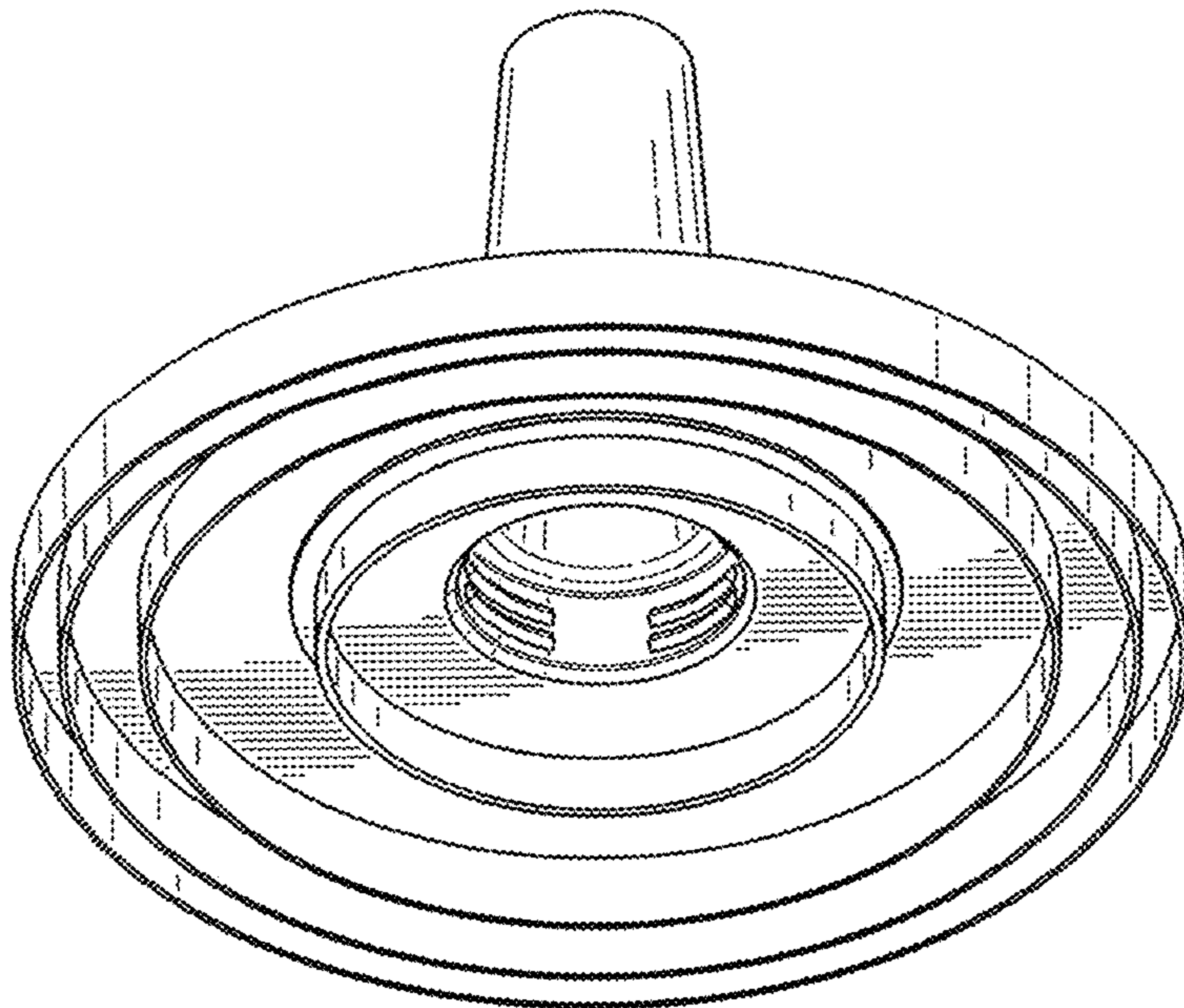


FIG. 4



FIG. 5

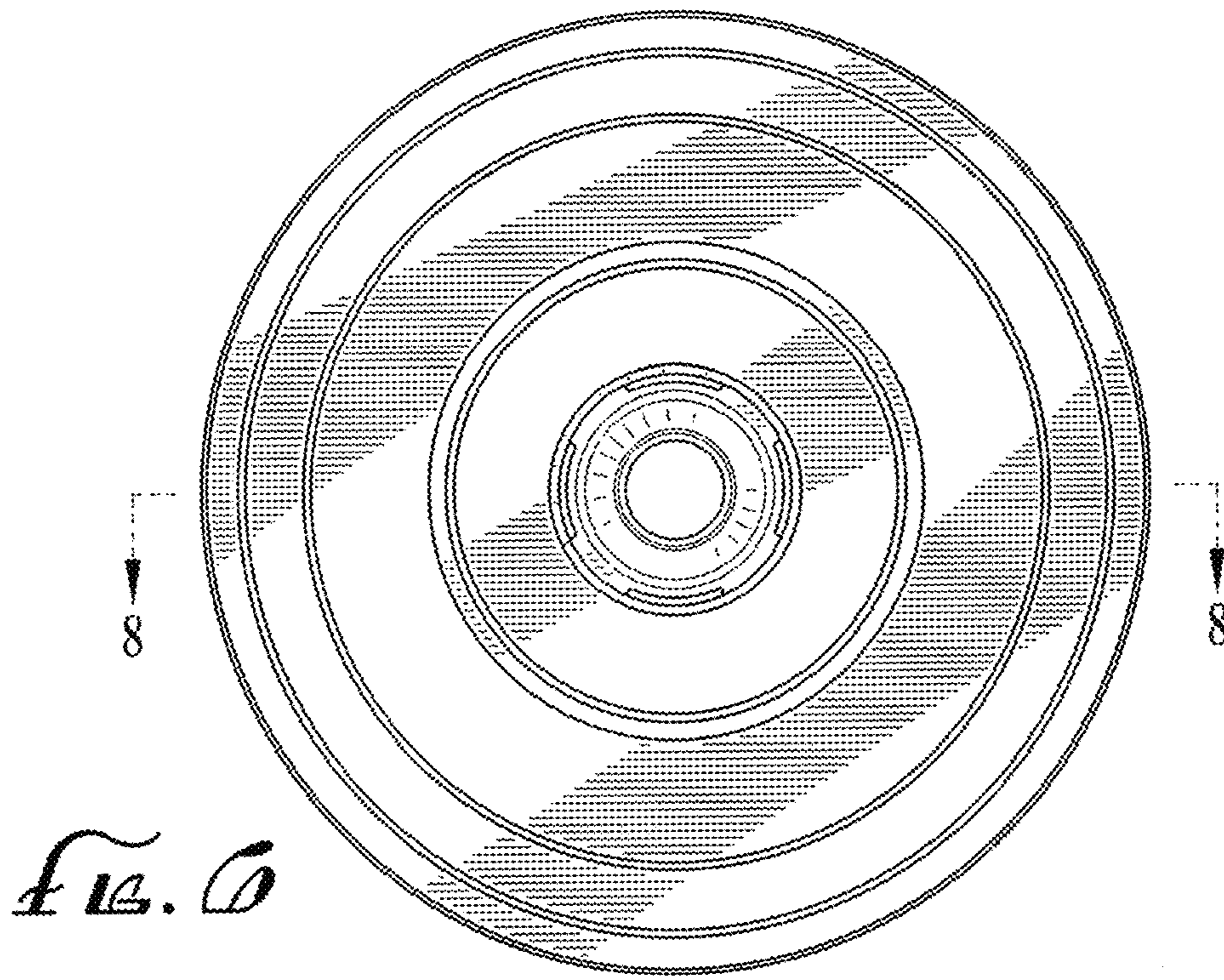


FIG. 6

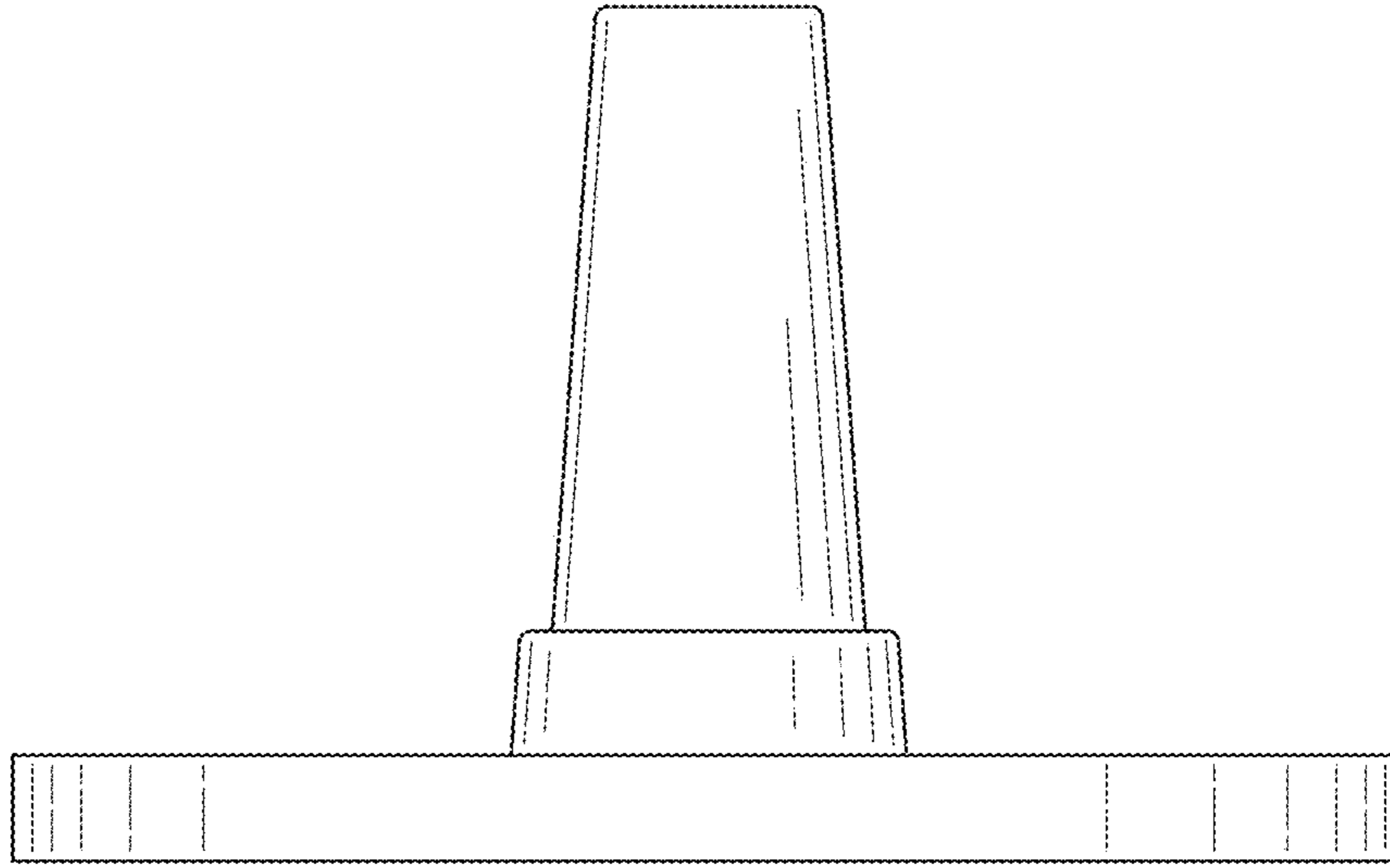


FIG. 7

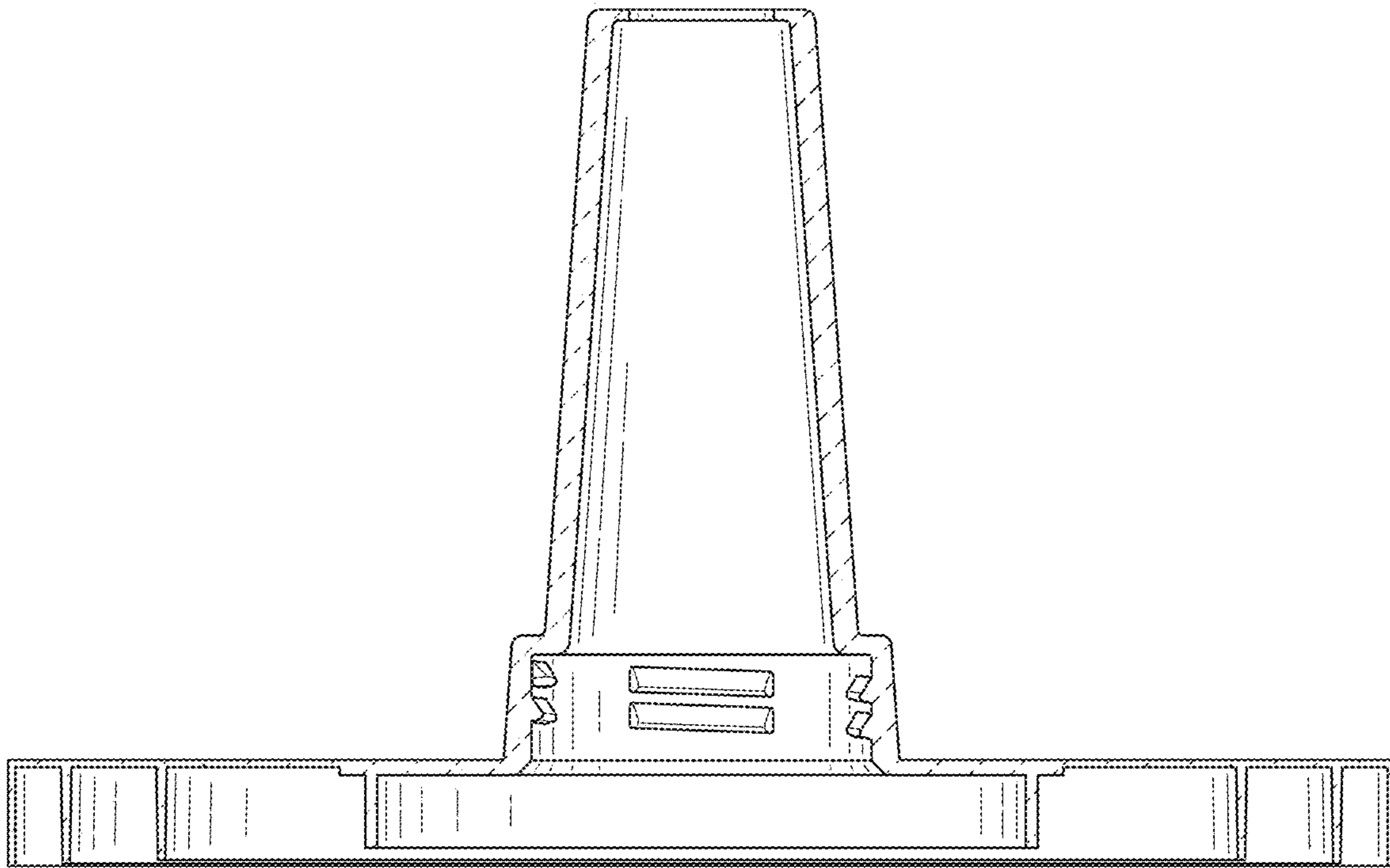


FIG. 8