



US00D983658S

(12) **United States Design Patent**  
**Takano**

(10) **Patent No.:** **US D983,658 S**

(45) **Date of Patent:** **\*\* Apr. 18, 2023**

(54) **PACKAGING CONTAINER LID**

(71) Applicant: **KY7 Ltd.**, Tokyo (JP)

(72) Inventor: **Akira Takano**, Tokyo (JP)

(73) Assignee: **KY7 Ltd.**, Tokyo (JP)

(\*\*) Term: **15 Years**

(21) Appl. No.: **29/764,715**

(22) Filed: **Dec. 31, 2020**

(30) **Foreign Application Priority Data**

Jul. 3, 2020 (JP) ..... 2020-013693 D

(51) **LOC (14) Cl.** ..... **09-03**

(52) **U.S. Cl.**  
USPC ..... **D9/428**; D9/449

(58) **Field of Classification Search**  
USPC ..... D3/273, 294, 318; D6/518-523;  
D9/420, 435, 440, 443, 447, 449, 453,  
D9/454, 516, 549, 734, 428; 206/225,  
206/233, 389, 409; 221/26, 33, 45, 282,  
221/284; 222/575

CPC .... B65D 43/22; B65D 43/24; B65D 47/0828;  
B65D 83/0805; B65D 43/162; B65D  
65/466; A47K 10/421; A47K 2010/3266;  
B31D 1/005; B31D 5/02; B31D 5/04

See application file for complete search history.

(56) **References Cited**

**U.S. PATENT DOCUMENTS**

D283,488 S \* 4/1986 Stevens ..... D9/425  
D283,489 S \* 4/1986 Stevens ..... D9/425  
D414,637 S \* 10/1999 Amundson ..... D9/734  
D422,408 S \* 4/2000 Schwartz ..... D3/273  
D443,451 S \* 6/2001 Buck ..... D6/518  
D466,807 S \* 12/2002 Buck ..... D9/425  
D468,567 S \* 1/2003 Trevett ..... D6/515  
D485,461 S \* 1/2004 Sams ..... D6/515

6,766,919 B2 \* 7/2004 Huang ..... B65D 83/0805  
221/63  
D506,132 S \* 6/2005 De-Vries ..... D9/430  
D529,802 S \* 10/2006 Jelich ..... D9/449  
D530,204 S \* 10/2006 Zaidman ..... D9/449  
(Continued)

**FOREIGN PATENT DOCUMENTS**

GB 8077020000-1000 \* 10/2011

**OTHER PUBLICATIONS**

Pampers Baby Wipes Complete Clean Baby Fresh Scent 9X 80 Pop-Top—720 Count by Pampers Online, published date Feb. 27, 2018. Retrieved on Oct. 5, 2022 from URL:<https://www.amazon.com/Pampers-Wipes-Complete-Scented-Pop-Top/dp/B077VM4C38> (Year: 2018).\*

(Continued)

*Primary Examiner* — Jae Liang  
*Assistant Examiner* — Royner Mendoza  
(74) *Attorney, Agent, or Firm* — Sughrue Mion, PLLC

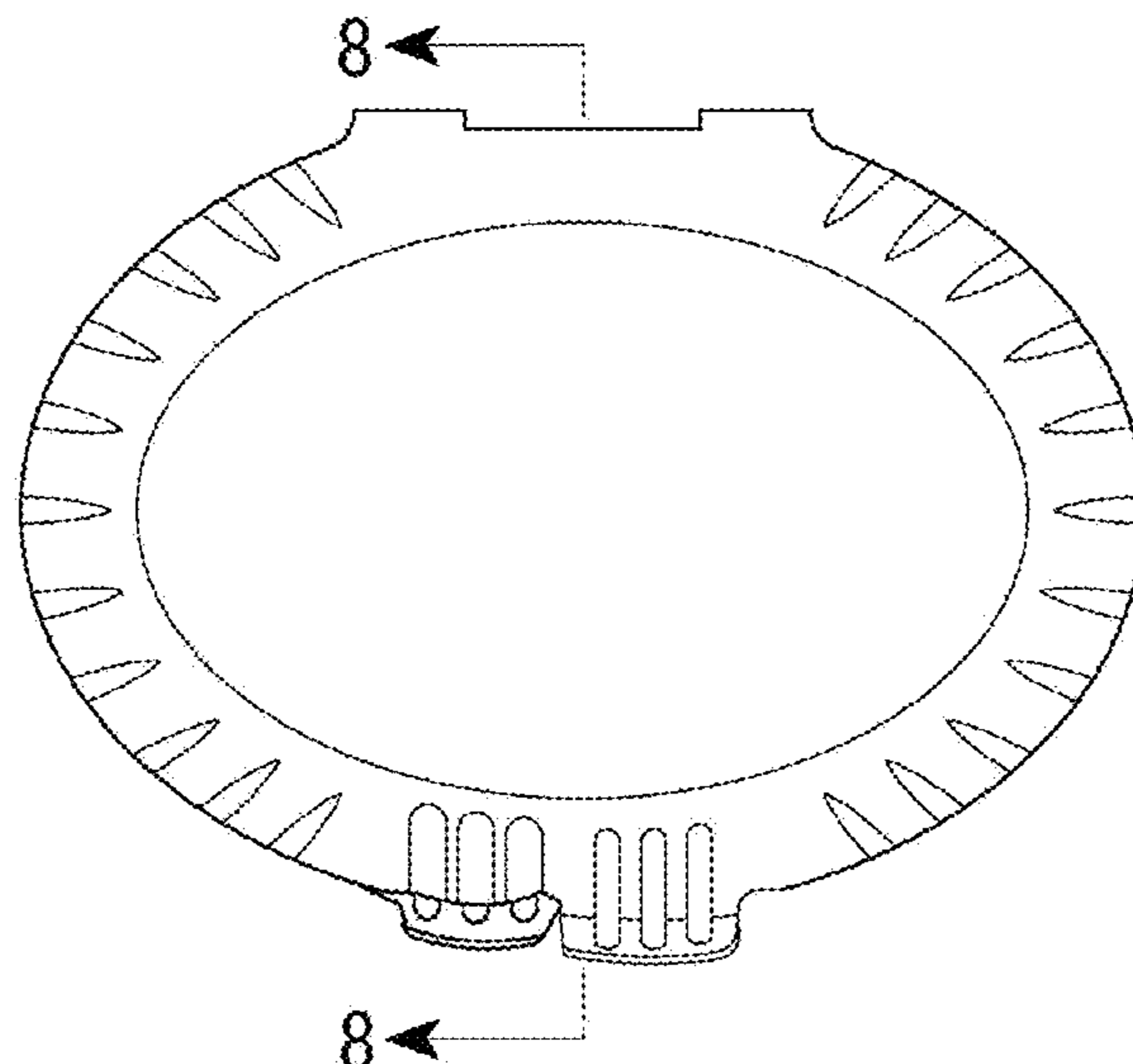
(57) **CLAIM**

The ornamental design for a packaging container lid, as shown and described.

**DESCRIPTION**

FIG. 1 is the top view of a packaging container lid in a closed position according to my new design;  
FIG. 2 is the right view thereof;  
FIG. 3 is the rear view thereof;  
FIG. 4 is the perspective view thereof;  
FIG. 5 is the perspective view of the lid in an open position;  
FIG. 6 is the left view thereof;  
FIG. 7 is the front view thereof;  
FIG. 8 is the cross-sectional view thereof along the line 8-8 in FIG. 1; and,  
FIG. 9 is the bottom view thereof.

**1 Claim, 9 Drawing Sheets**



(56)

References Cited

U.S. PATENT DOCUMENTS

D671,000 S \* 11/2012 O'Neill ..... B65D 75/5894  
D9/449  
8,499,959 B2 \* 8/2013 Chasid ..... B65D 75/5838  
383/203  
D696,944 S \* 1/2014 Lepage ..... D9/449  
D729,062 S \* 5/2015 Julius ..... D9/435  
D747,963 S \* 1/2016 Scalise ..... D9/425  
D750,479 S \* 3/2016 Scalise ..... D9/425  
D912,513 S \* 3/2021 Moon ..... D9/449  
2010/0059524 A1 \* 3/2010 Bartesaghi ..... B65D 83/0805  
220/521  
2018/0079565 A1 \* 3/2018 Seibert ..... B65D 47/0828  
2022/0242622 A1 \* 8/2022 Takano ..... B31D 5/00

OTHER PUBLICATIONS

Huggies Simply Clean Fragrance Free Wipes Soft Pack 64 ct by Huggies Online, published date N/A. Retrieved on Oct. 18, 2022 from URL:[https://www.heb.com/product-detail/2193973?gclid=EAIaIQobChMI9b7O08rqglVhdzICh3G8gKcEAQYByABEgKXpPD\\_BwE](https://www.heb.com/product-detail/2193973?gclid=EAIaIQobChMI9b7O08rqglVhdzICh3G8gKcEAQYByABEgKXpPD_BwE) (Year: 2022).\*

Royal RPPRPBWU80 Baby Wipes Tub, Unscented, White, 80 Per Tub by Royal Online, published date N/A. Retrieved on Oct. 18, 2022 from URL:[https://www.amazon.com/Royal-RPPRPBWU80-Wipes-Unscented-Carton/dp/B00LLE3FZQ/ref=asc\\_df\\_B00LLE3FZQ/?tag=hyprod-20&linkCode=df0&hvadid=533590893743&hvpos=&hvnetw=g&hvra](https://www.amazon.com/Royal-RPPRPBWU80-Wipes-Unscented-Carton/dp/B00LLE3FZQ/ref=asc_df_B00LLE3FZQ/?tag=hyprod-20&linkCode=df0&hvadid=533590893743&hvpos=&hvnetw=g&hvra) (Year: 2022).\*

\* cited by examiner

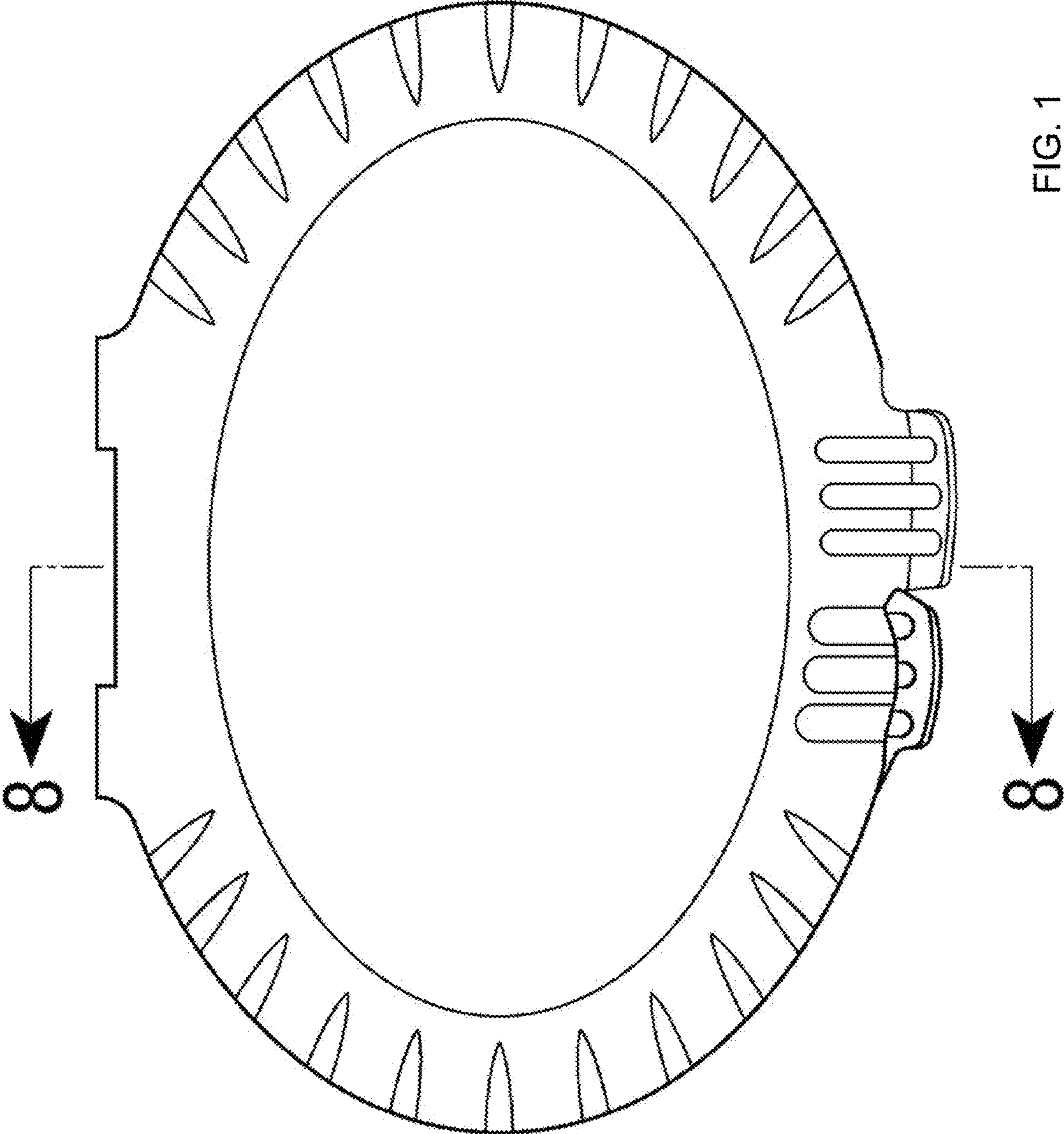


FIG. 1

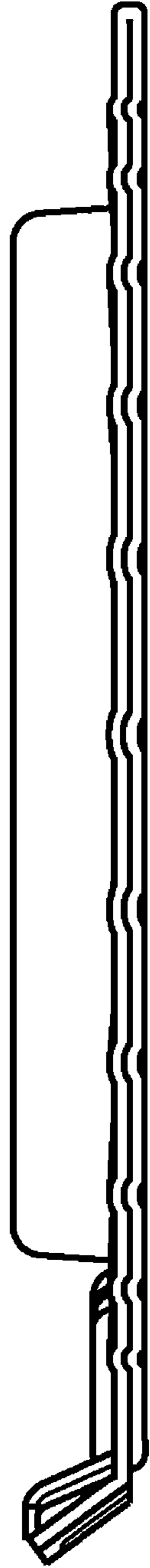


Fig. 2

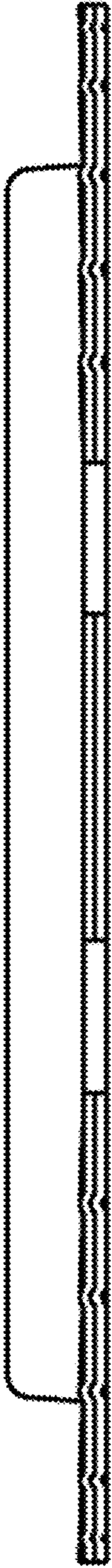


Fig. 3

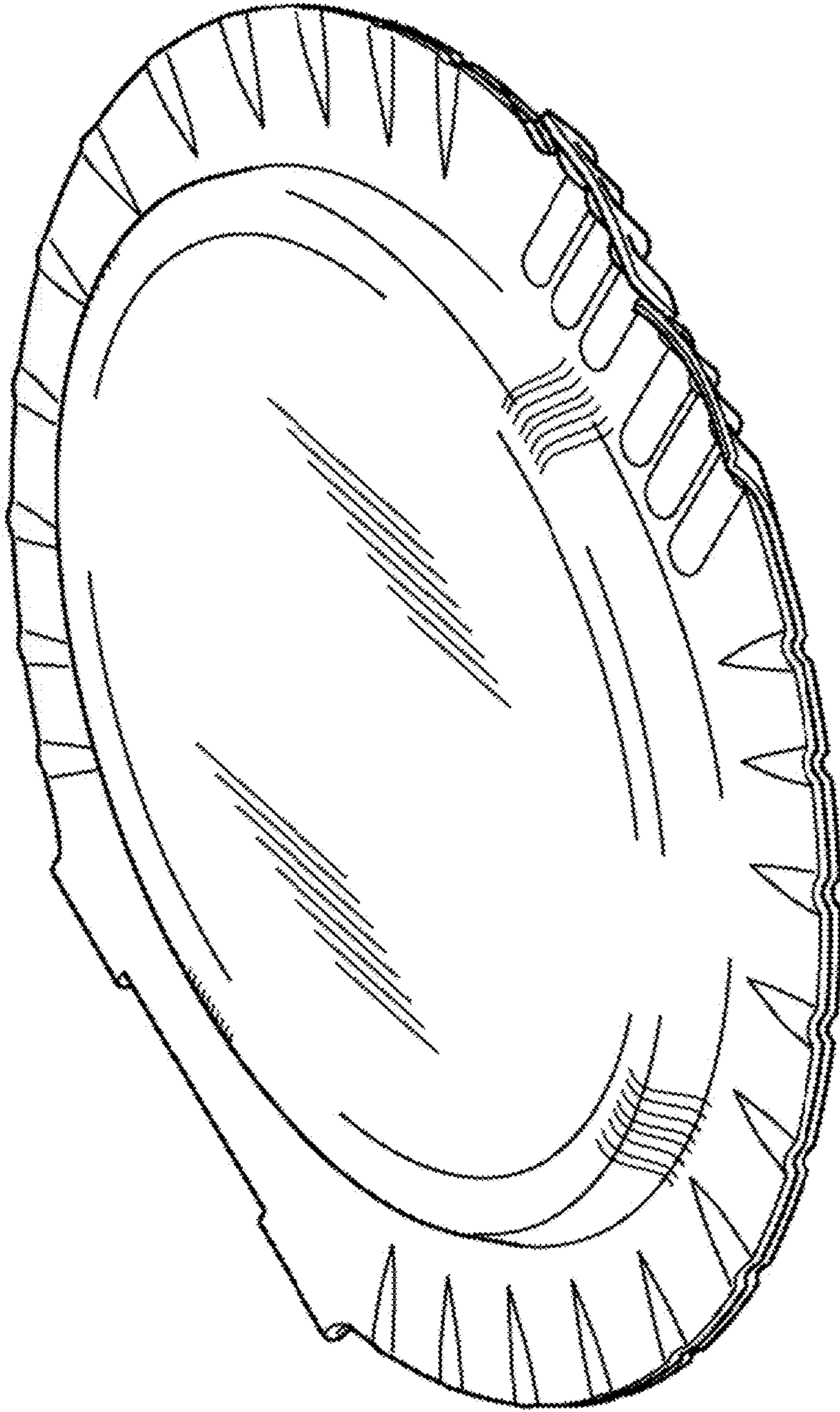


Fig. 4

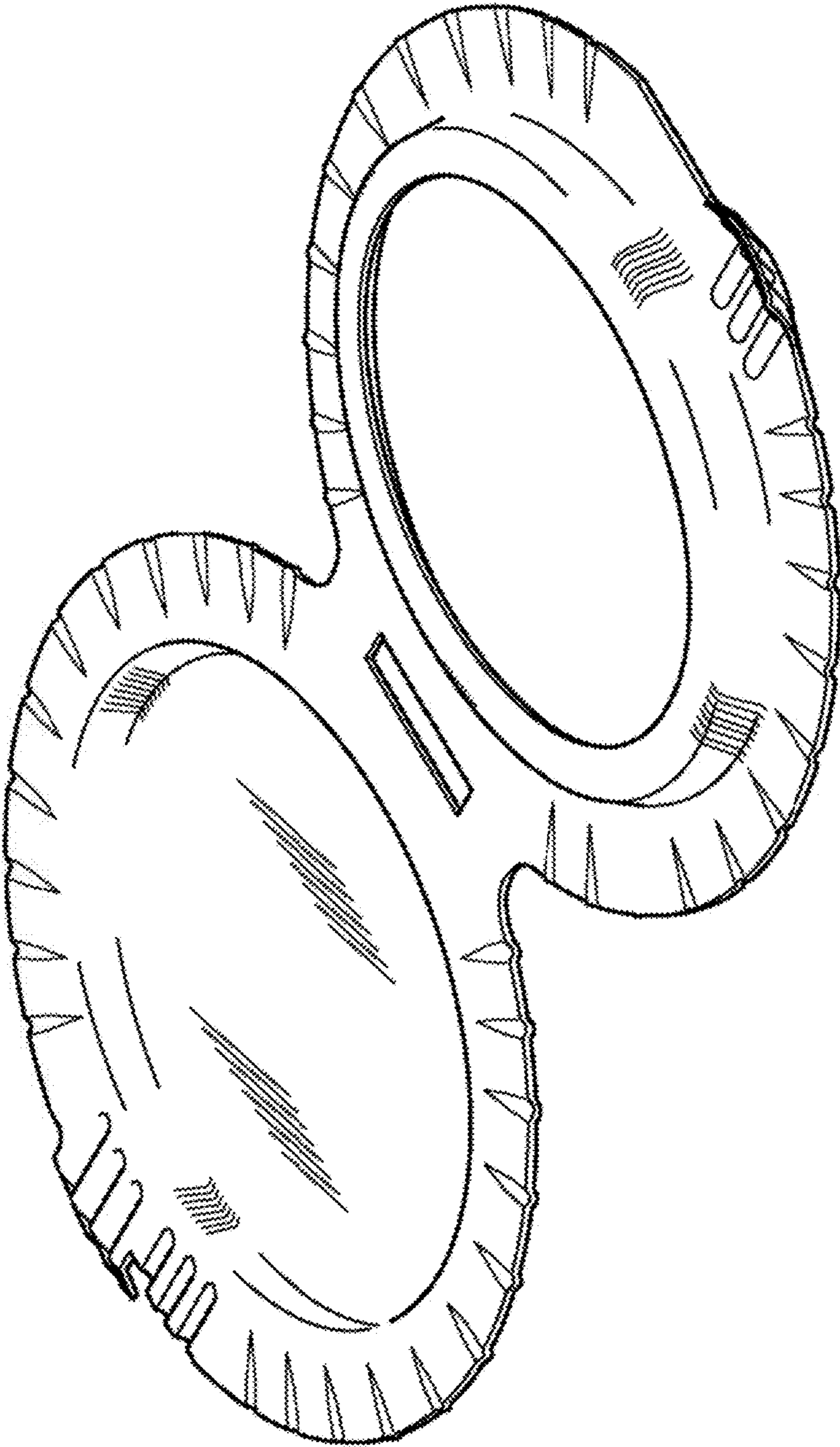


Fig. 5



Fig. 6





Fig. 7

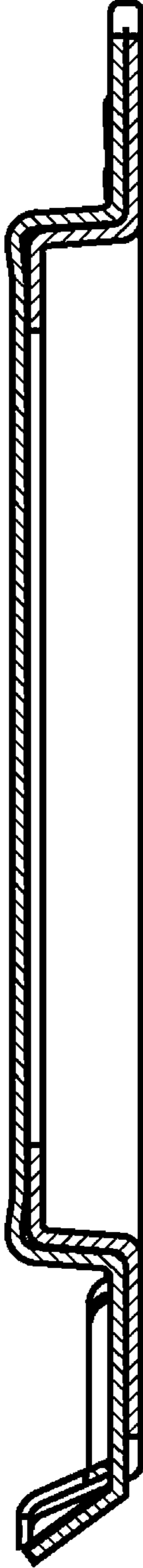


Fig. 8

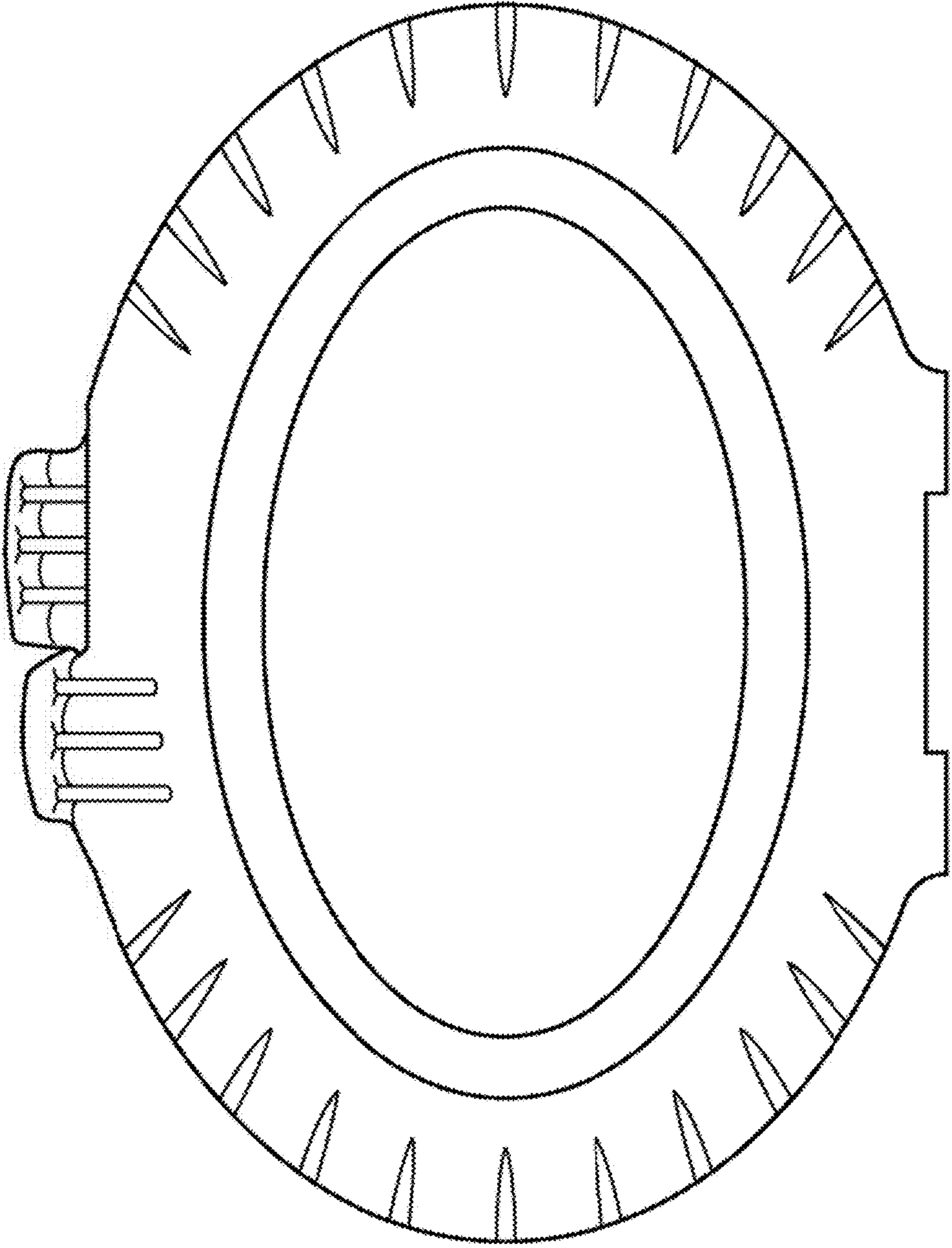


Fig. 9