



US00D983657S

(12) **United States Design Patent**  
**Takano**

(10) **Patent No.:** **US D983,657 S**  
(45) **Date of Patent:** **\*\* Apr. 18, 2023**

(54) **PACKAGING CONTAINER LID**

6,766,919 B2 \* 7/2004 Huang ..... B65D 83/0805  
221/63

(71) Applicant: **KY7 Ltd.**, Tokyo (JP)

D506,132 S \* 6/2005 De-Vries ..... D9/430

D529,802 S \* 10/2006 Jelich ..... D9/449

(72) Inventor: **Akira Takano**, Tokyo (JP)

D530,204 S \* 10/2006 Zaidman ..... D9/449

(Continued)

(73) Assignee: **KY7 Ltd.**, Tokyo (JP)

**FOREIGN PATENT DOCUMENTS**

(\*\*) Term: **15 Years**

GB 8077020000-1000 \* 10/2011

(21) Appl. No.: **29/764,712**

**OTHER PUBLICATIONS**

(22) Filed: **Dec. 31, 2020**

Pampers Baby Wipes Complete Clean Baby Fresh Scent 9X 80 Pop-Top—720 Count by Pampers Online, published date Feb. 27, 2018. Retrieved on Oct. 5, 2022 from URL:<https://www.amazon.com/Pampers-Wipes-Complete-Scented-Pop-Top/dp/B077VM4C38> (Year: 2018).\*

(30) **Foreign Application Priority Data**

Jul. 3, 2020 (JP) ..... 2020-013692 D

(Continued)

(51) **LOC (14) Cl.** ..... **09-03**

(52) **U.S. Cl.**

USPC ..... **D9/428**; D9/449

(58) **Field of Classification Search**

USPC ..... D3/273, 294, 318; D6/518–523;  
D9/420, 435, 440, 443, 447, 449, 453,  
D9/454, 516, 549, 734, 428; 206/225,  
206/233, 389, 409; 221/26, 33, 45, 282,  
221/284; 222/575

CPC .... B65D 43/22; B65D 43/24; B65D 47/0828;  
B65D 83/0805; B65D 43/162; B65D  
65/466; A47K 10/421; A47K 2010/3266;  
B31D 1/005; B31D 5/02; B31D 5/04

See application file for complete search history.

*Primary Examiner* — Jae Liang

*Assistant Examiner* — Royner Mendoza

(74) *Attorney, Agent, or Firm* — Sughrue Mion, PLLC

(57)

**CLAIM**

The ornamental design for a packaging container lid, as shown and described.

**DESCRIPTION**

FIG. 1 is the top view of a packaging container lid in a closed position according to my new design;

FIG. 2 is the right view thereof;

FIG. 3 is the rear view thereof;

FIG. 4 is the perspective view thereof;

FIG. 5 is the perspective view of the lid in an open position;

FIG. 6 is the left view thereof;

FIG. 7 is the front view thereof;

FIG. 8 is the cross-sectional view thereof along the line 8-8 in FIG. 1; and,

FIG. 9 is the bottom view thereof.

(56) **References Cited**

**U.S. PATENT DOCUMENTS**

D283,488 S \* 4/1986 Stevens ..... D9/425

D283,489 S \* 4/1986 Stevens ..... D9/425

D414,637 S \* 10/1999 Amundson ..... D9/734

D422,408 S \* 4/2000 Schwartz ..... D3/273

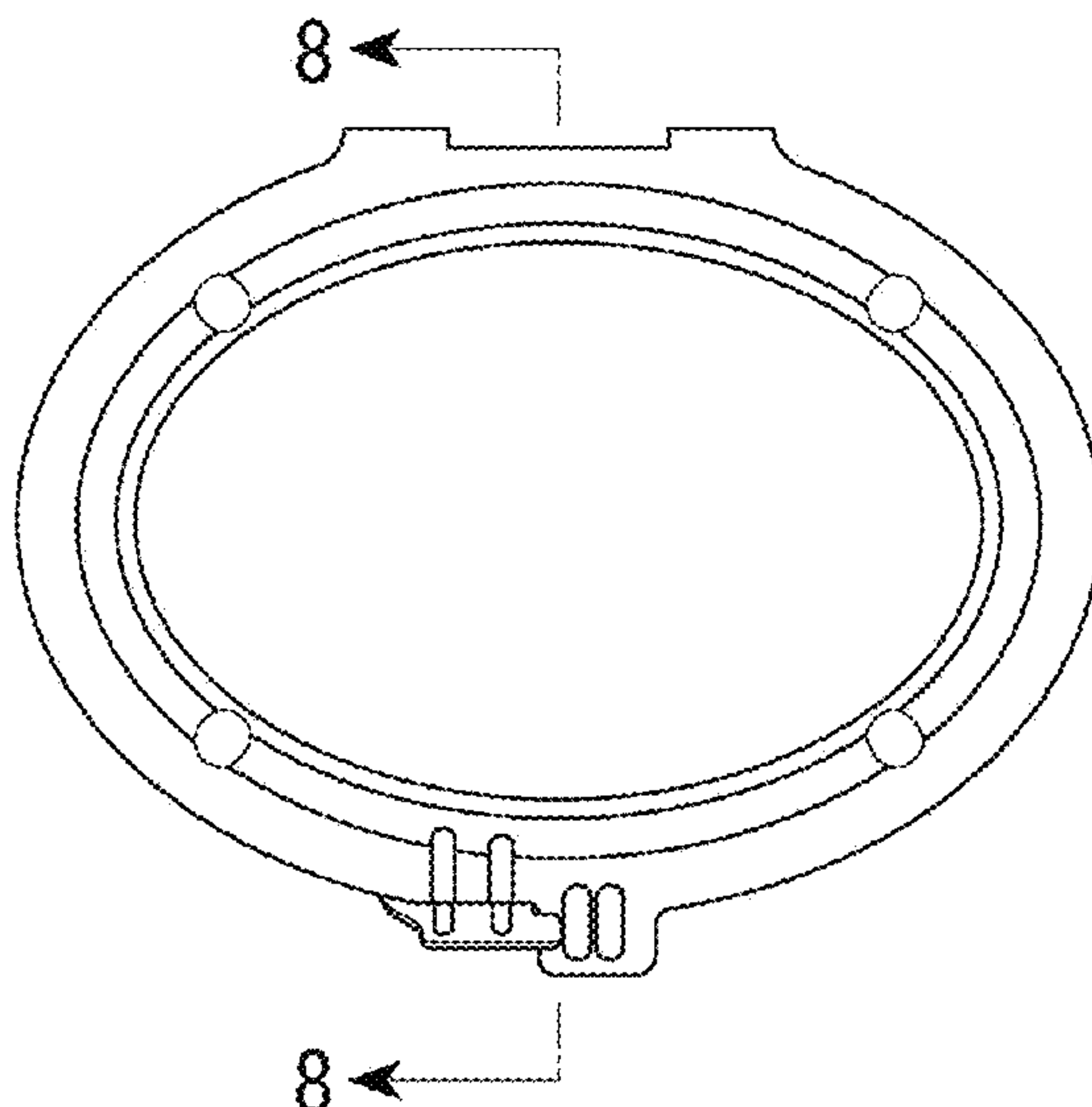
D443,451 S \* 6/2001 Buck ..... D6/518

D466,807 S \* 12/2002 Buck ..... D9/425

D468,567 S \* 1/2003 Trevett ..... D6/515

D485,461 S \* 1/2004 Sams ..... D6/515

**1 Claim, 9 Drawing Sheets**





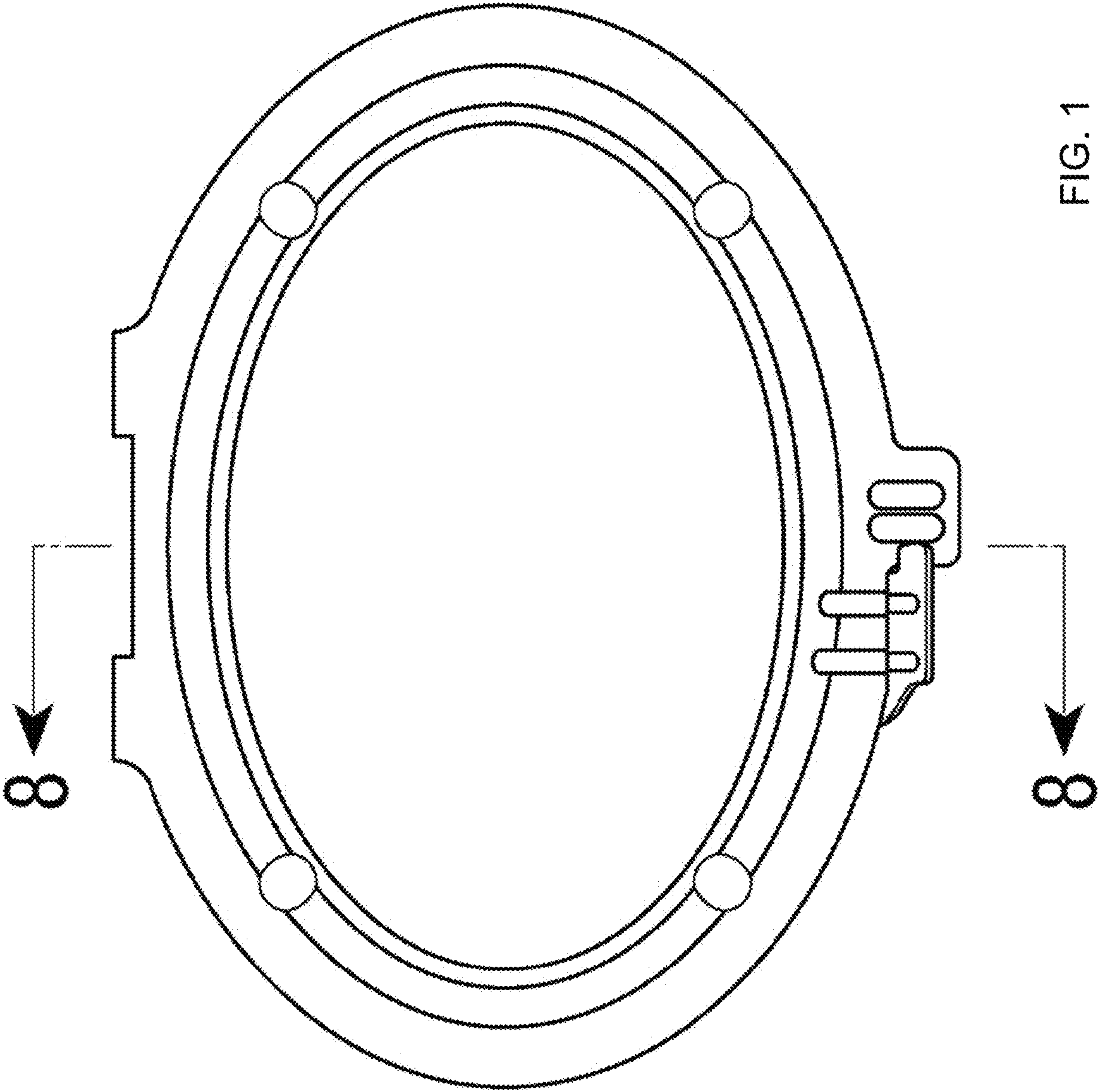


FIG. 1

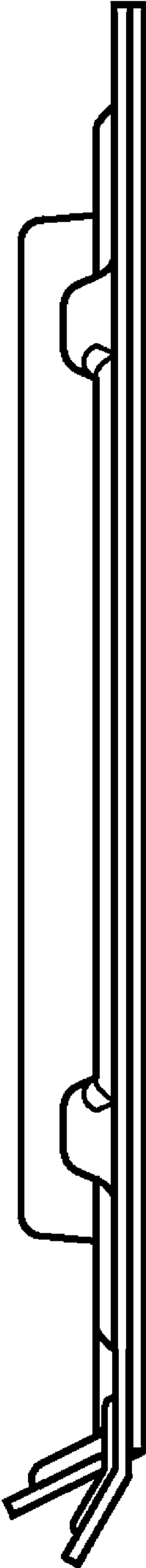


Fig. 2

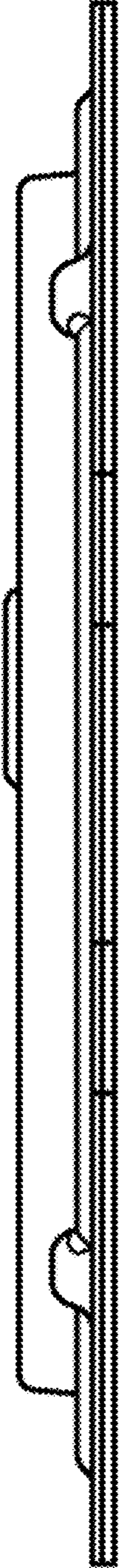


Fig. 3



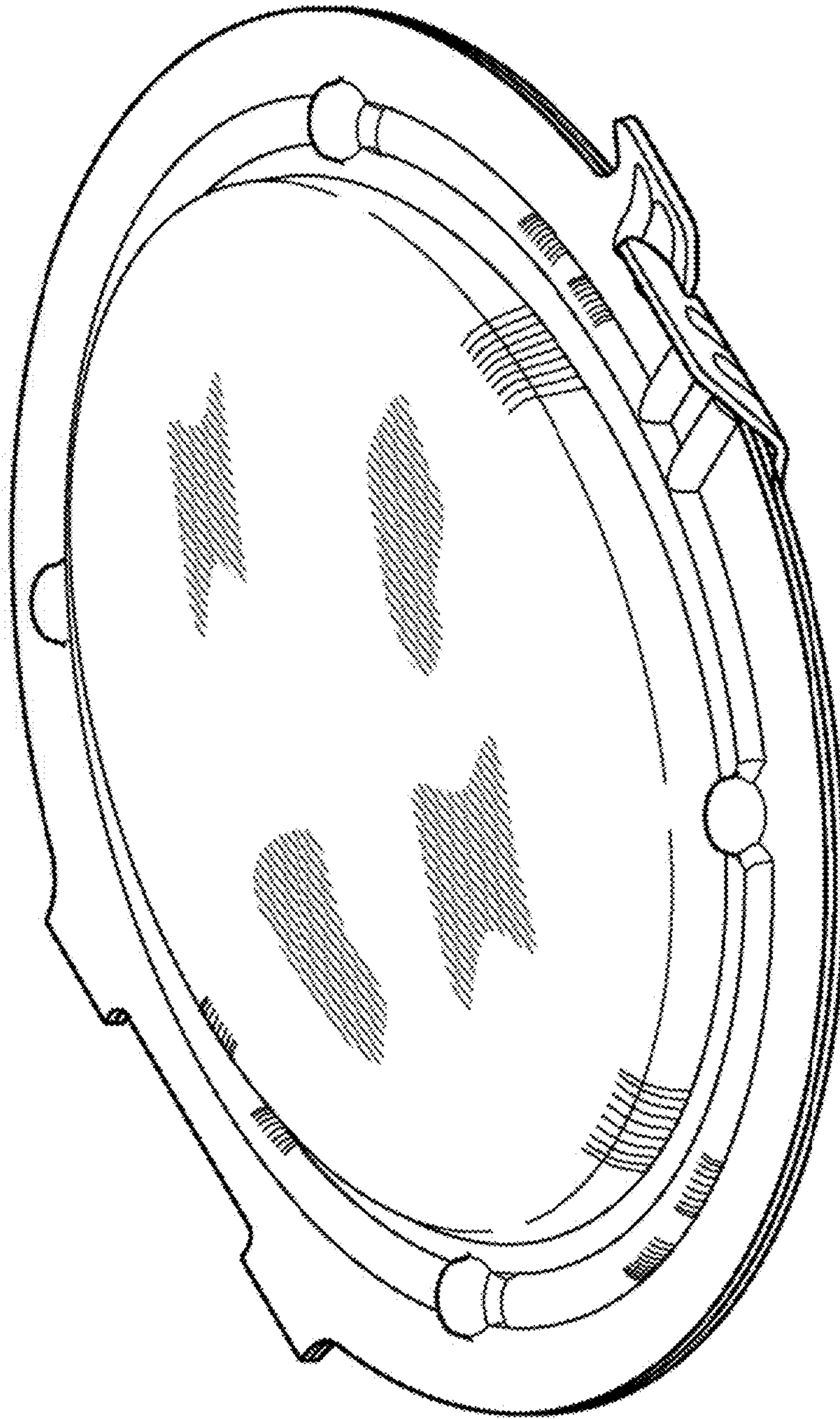


Fig. 4

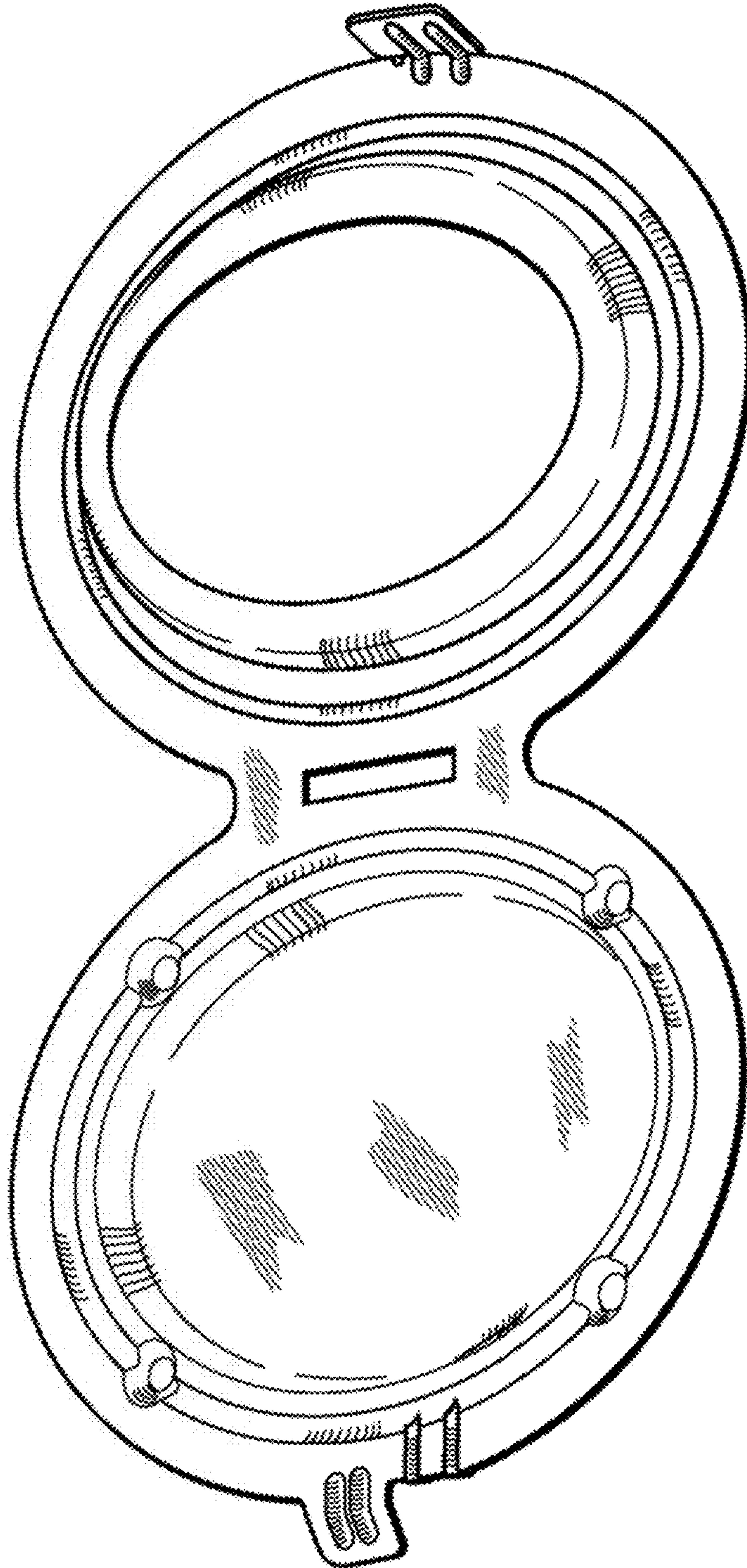


Fig. 5

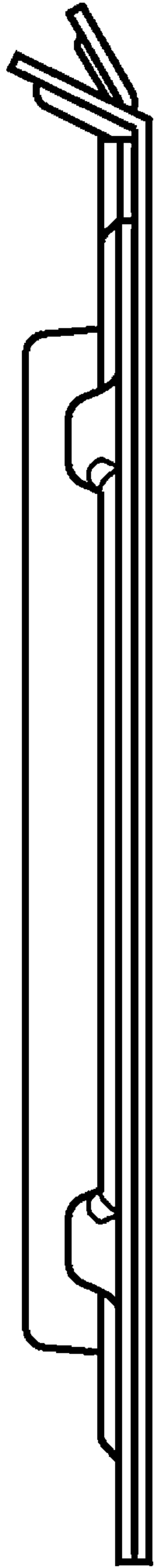


Fig. 6



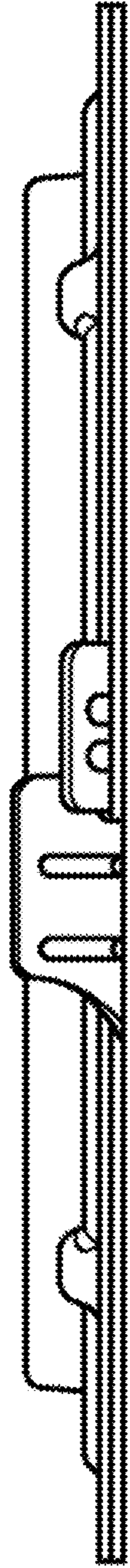


Fig. 7

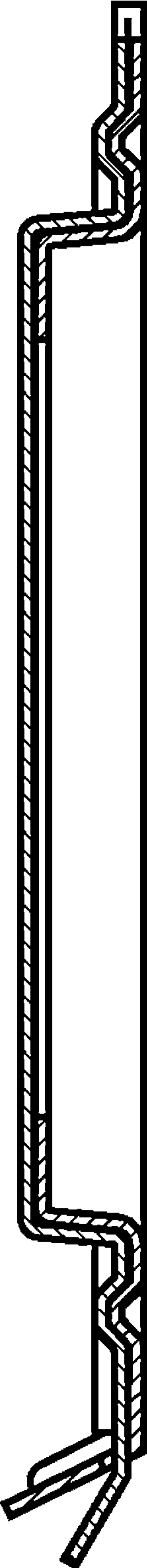


Fig. 8

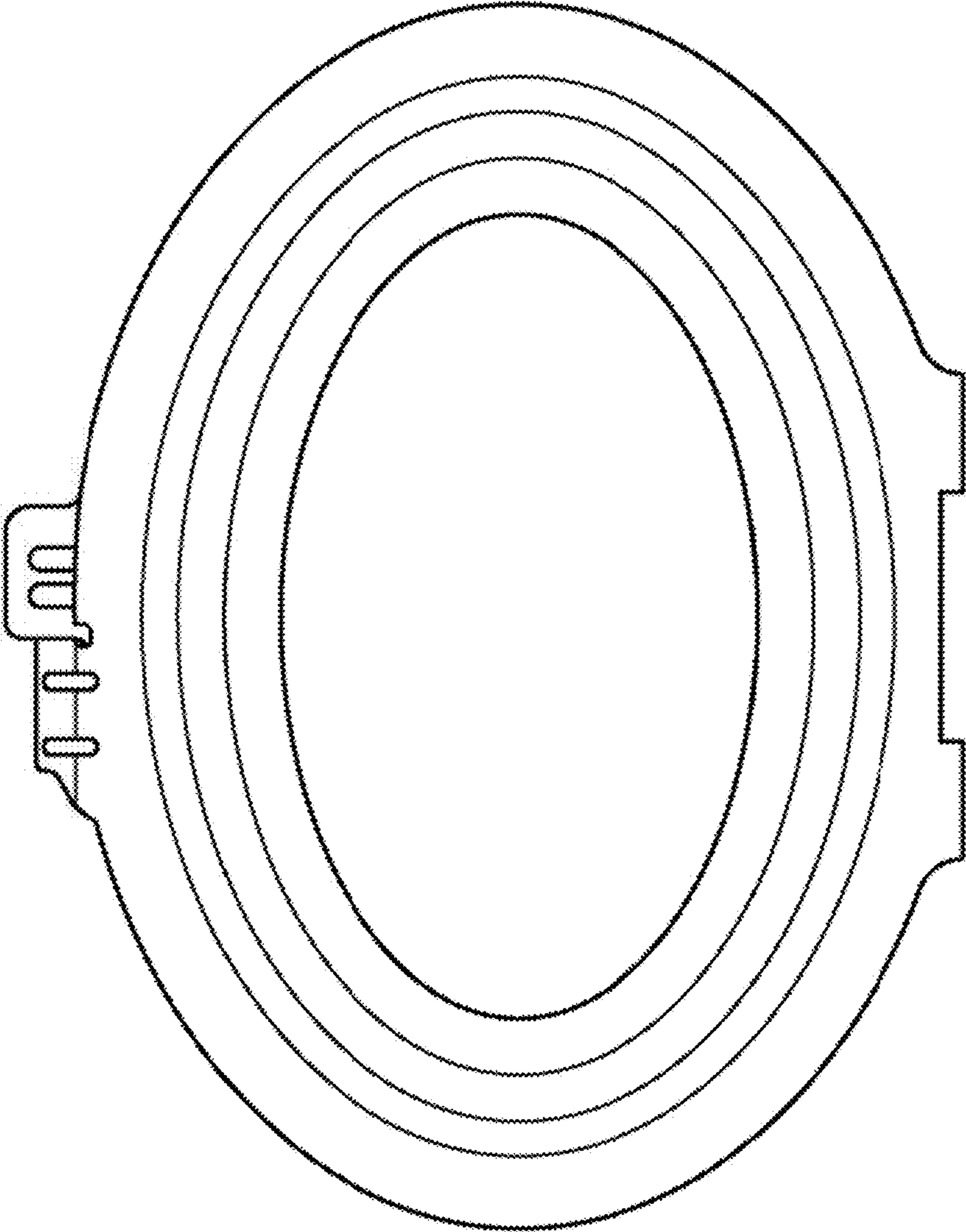


Fig. 9