



US00D983655S

(12) **United States Design Patent**  
**Yu**

(10) **Patent No.:** **US D983,655 S**  
(45) **Date of Patent:** **\*\* Apr. 18, 2023**

(54) **CORD ORGANIZER FOR APPLIANCES**

(71) Applicant: **Zhongguang Yu, Jiujiang (CN)**

(72) Inventor: **Zhongguang Yu, Jiujiang (CN)**

(\*\*) Term: **15 Years**

(21) Appl. No.: **29/884,046**

(22) Filed: **Feb. 7, 2023**

(51) **LOC (14) Cl.** ..... **08-08**

(52) **U.S. Cl.**  
USPC ..... **D8/383**

(58) **Field of Classification Search**

USPC ..... D8/383, 394, 395, 354, 356; D2/978,  
D2/853, 609, 999; D11/215  
CPC ..... F16G 11/10; F16G 11/101; F16G 11/103;  
F16G 11/105; F16G 11/106; F16G 11/03;  
F16G 11/00; F16G 11/04; F16G 11/06;  
F16G 11/048; F16G 11/05; F16G 11/146;  
F16G 11/14; F16G 11/02; A43C 1/00;  
A43C 1/06

See application file for complete search history.

(56) **References Cited**

**U.S. PATENT DOCUMENTS**

- 2,220,366 A \* 11/1940 Fly ..... D06F 53/00  
242/388.2
- D197,417 S \* 1/1964 Kirkpatrick ..... D8/356
- 3,913,876 A \* 10/1975 McSherry ..... H02G 3/32  
24/484
- D242,598 S \* 12/1976 Kunstlicher ..... B65H 75/06  
D8/358
- D253,992 S \* 1/1980 Nelson ..... D8/382
- D273,658 S \* 5/1984 Sakaguchi ..... D8/394
- 4,516,293 A \* 5/1985 Beran ..... A61M 25/02  
24/17 AP
- D329,588 S \* 9/1992 Michel, Jr. .... D8/395
- 6,431,500 B1 \* 8/2002 Jacobs ..... F16L 3/13  
248/51
- D530,192 S \* 10/2006 Becerra ..... D8/395

- D545,179 S \* 6/2007 Mori ..... D8/356
- D549,557 S \* 8/2007 Mori ..... D8/356
- D575,143 S \* 8/2008 Kuo ..... D8/394
- D629,671 S \* 12/2010 Ohori ..... D8/356
- D679,581 S \* 4/2013 Liu ..... D8/395
- D732,934 S \* 6/2015 Egami ..... D8/356
- D733,534 S \* 7/2015 Altrichter ..... D8/356
- D763,666 S \* 8/2016 Wengreen ..... D8/356
- D803,647 S \* 11/2017 Hansen ..... D8/44
- D808,250 S \* 1/2018 Chang ..... D8/356
- D808,788 S \* 1/2018 Ackerman ..... D8/395
- D836,561 S \* 12/2018 Hung ..... D13/155
- D885,869 S 6/2020 Moldvaer
- D947,011 S \* 3/2022 Yuanxiang ..... D8/356
- D966,079 S 10/2022 Murray
- D966,081 S \* 10/2022 Li ..... D8/356

(Continued)

**FOREIGN PATENT DOCUMENTS**

- GB 6241376 \* 11/2022
- GB 6241378 \* 11/2022

*Primary Examiner* — S. Bryan Reinholdt, Jr.

*Assistant Examiner* — Ieisha N Price

(74) *Attorney, Agent, or Firm* — Jeenam Park

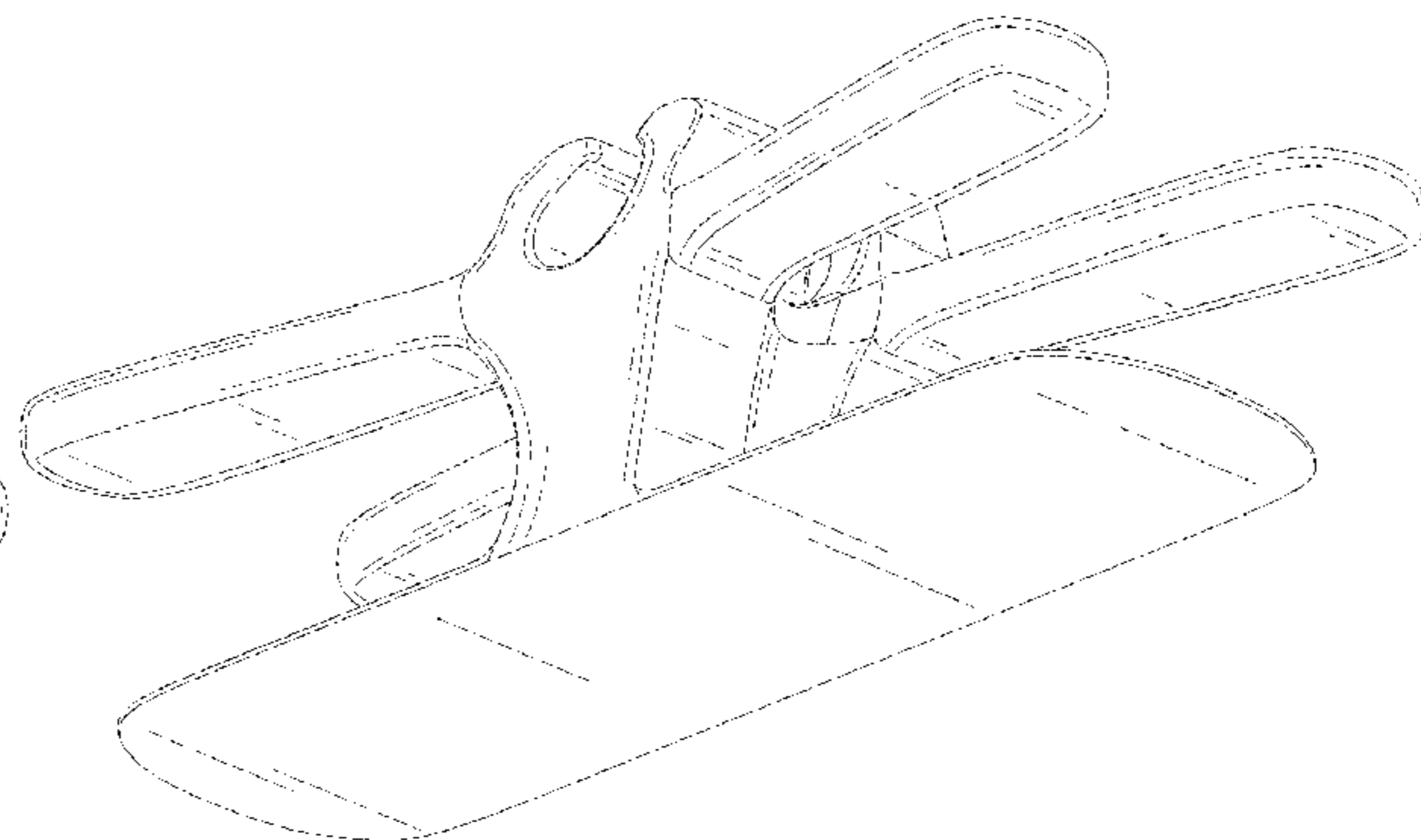
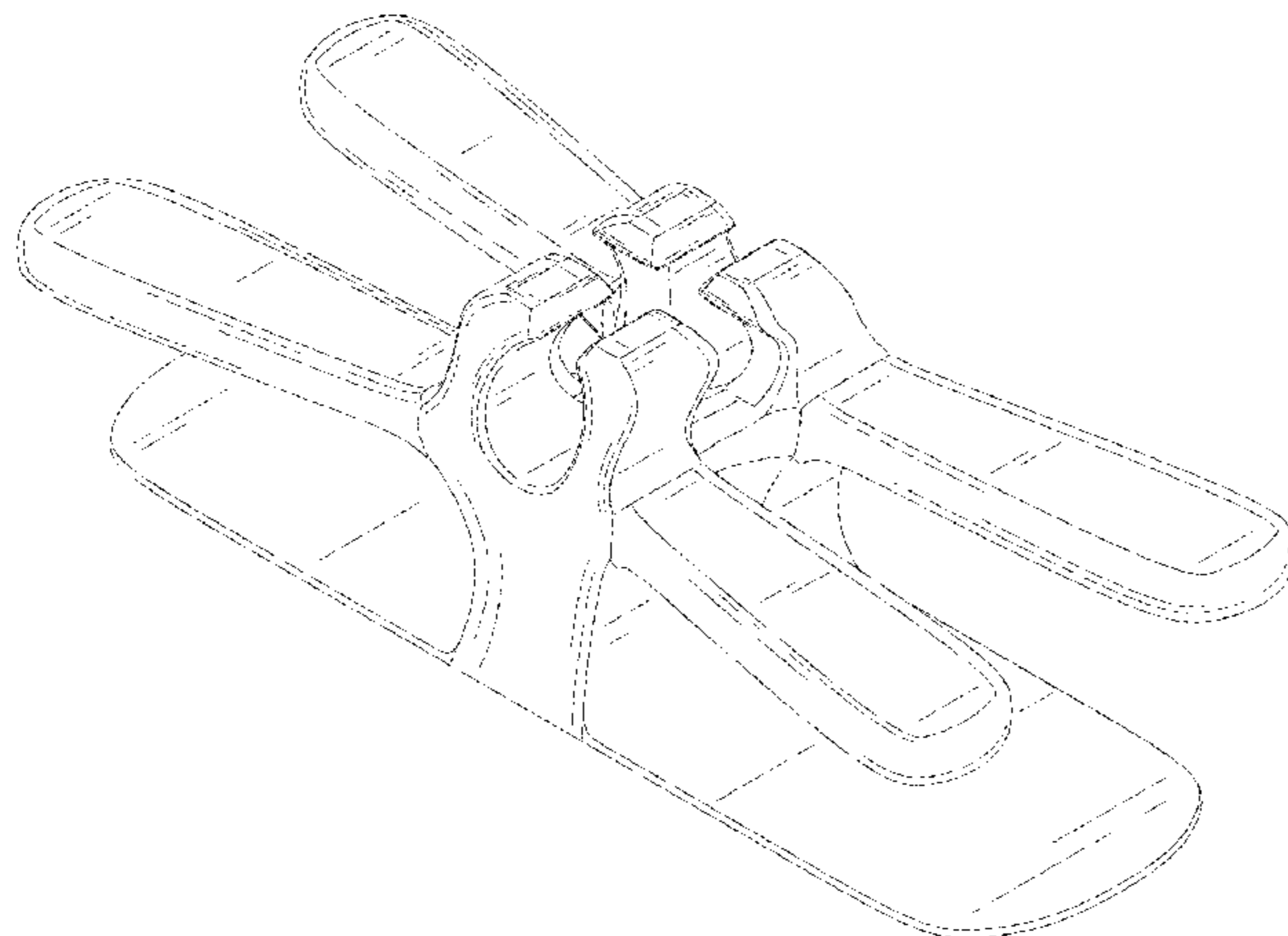
(57) **CLAIM**

The ornamental design for a cord organizer for appliances, as shown and described.

**DESCRIPTION**

FIG. 1 is a front, right and top perspective view of a cord organizer for appliances, showing my new design; FIG. 2 is a rear, left and bottom perspective view thereof; FIG. 3 is a front view thereof; FIG. 4 is a rear view thereof; FIG. 5 is a left side view thereof; FIG. 6 is a right side view thereof; FIG. 7 is a top plan view thereof; and, FIG. 8 is a bottom plan view thereof.

**1 Claim, 8 Drawing Sheets**



(56)

**References Cited**

U.S. PATENT DOCUMENTS

D968,944 S \* 11/2022 Liu ..... D8/394  
D976,682 S \* 1/2023 Chen ..... D8/356  
D977,949 S \* 2/2023 Li ..... D8/356  
2019/0113156 A1\* 4/2019 Herbert ..... F16L 3/13

\* cited by examiner

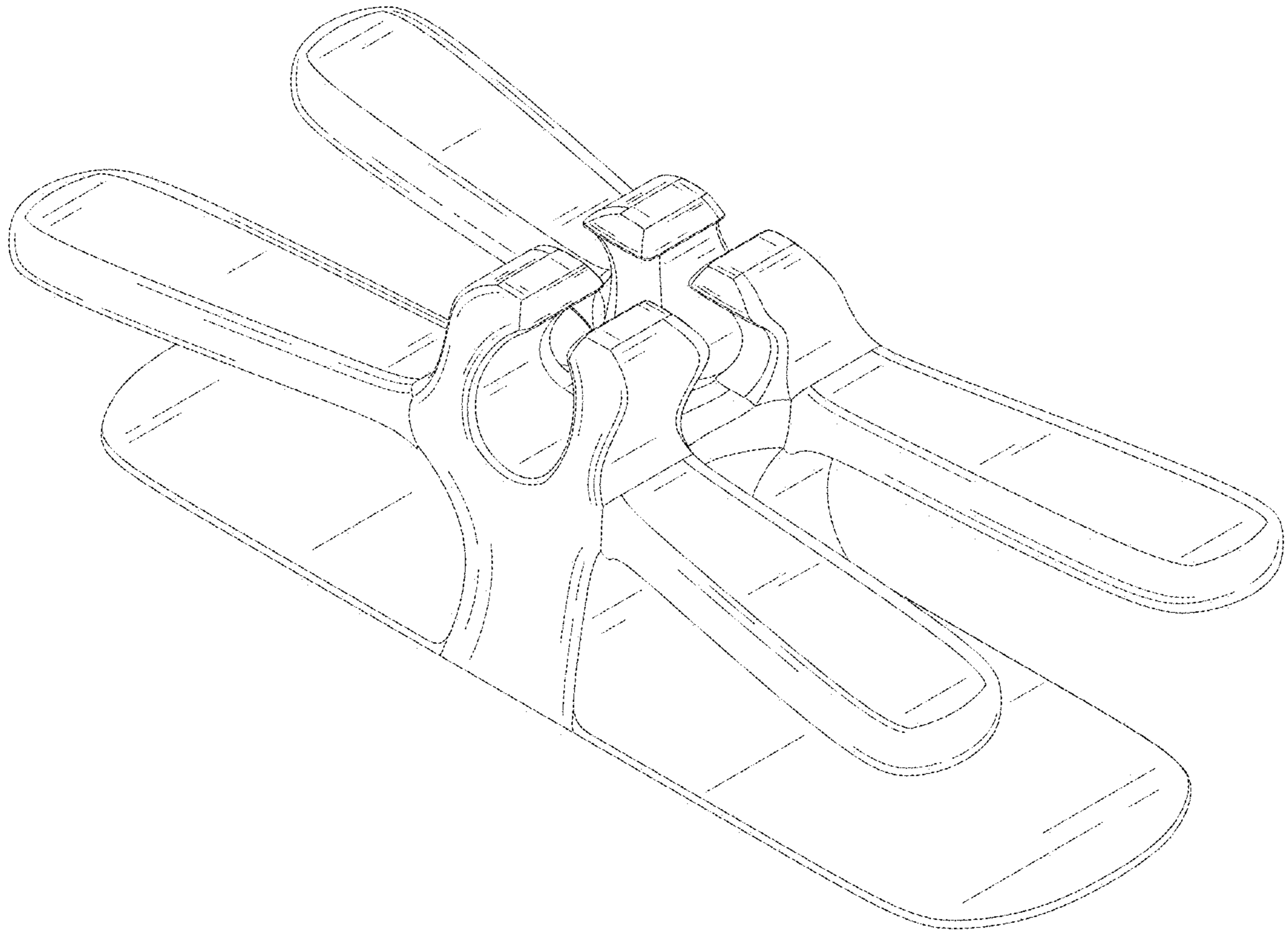


FIG. 1

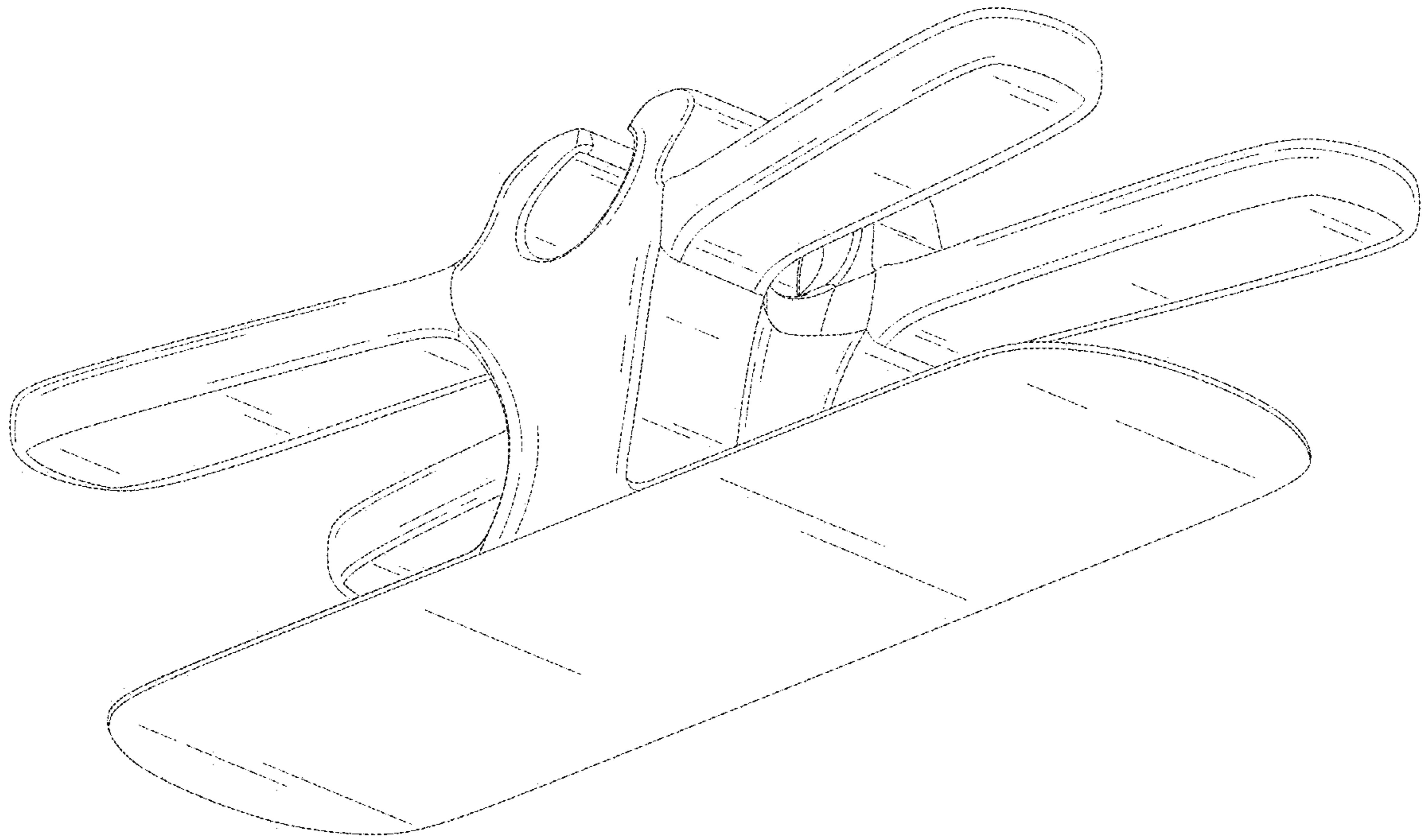


FIG. 2

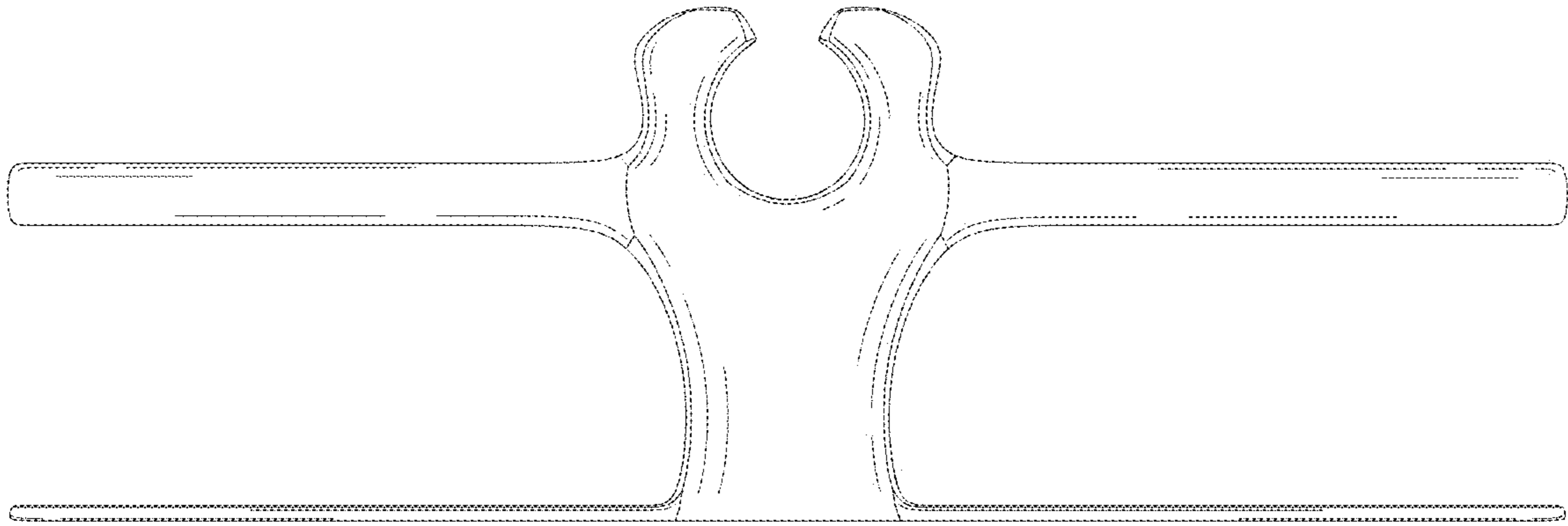


FIG. 3

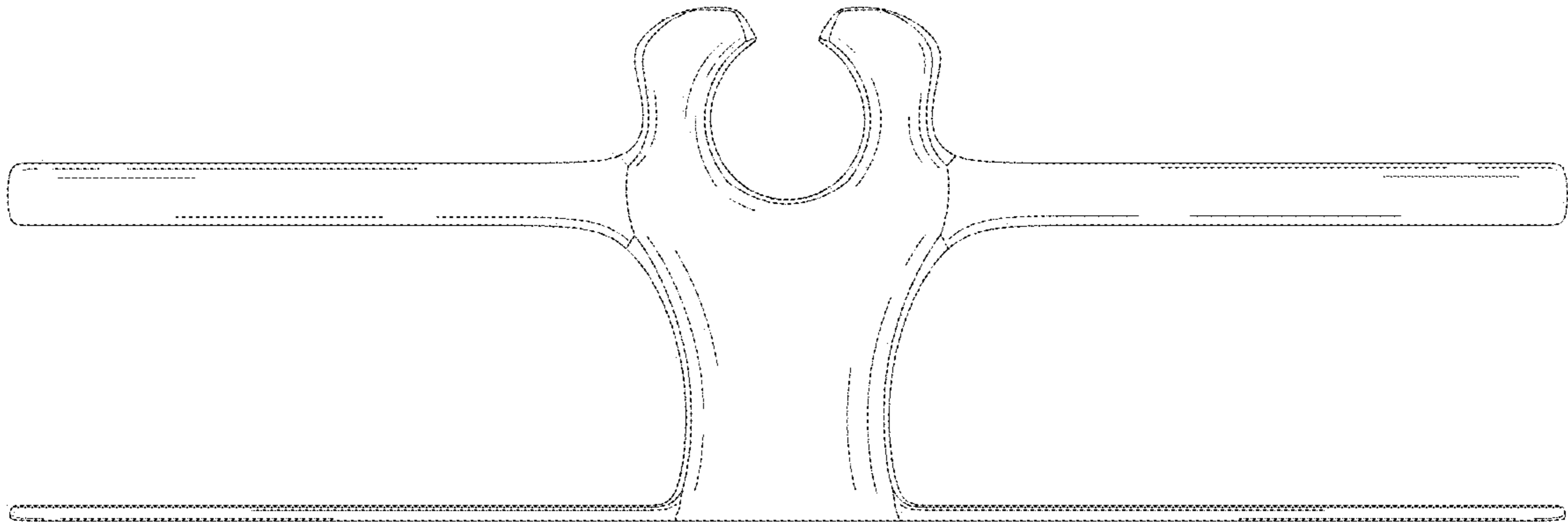


FIG. 4

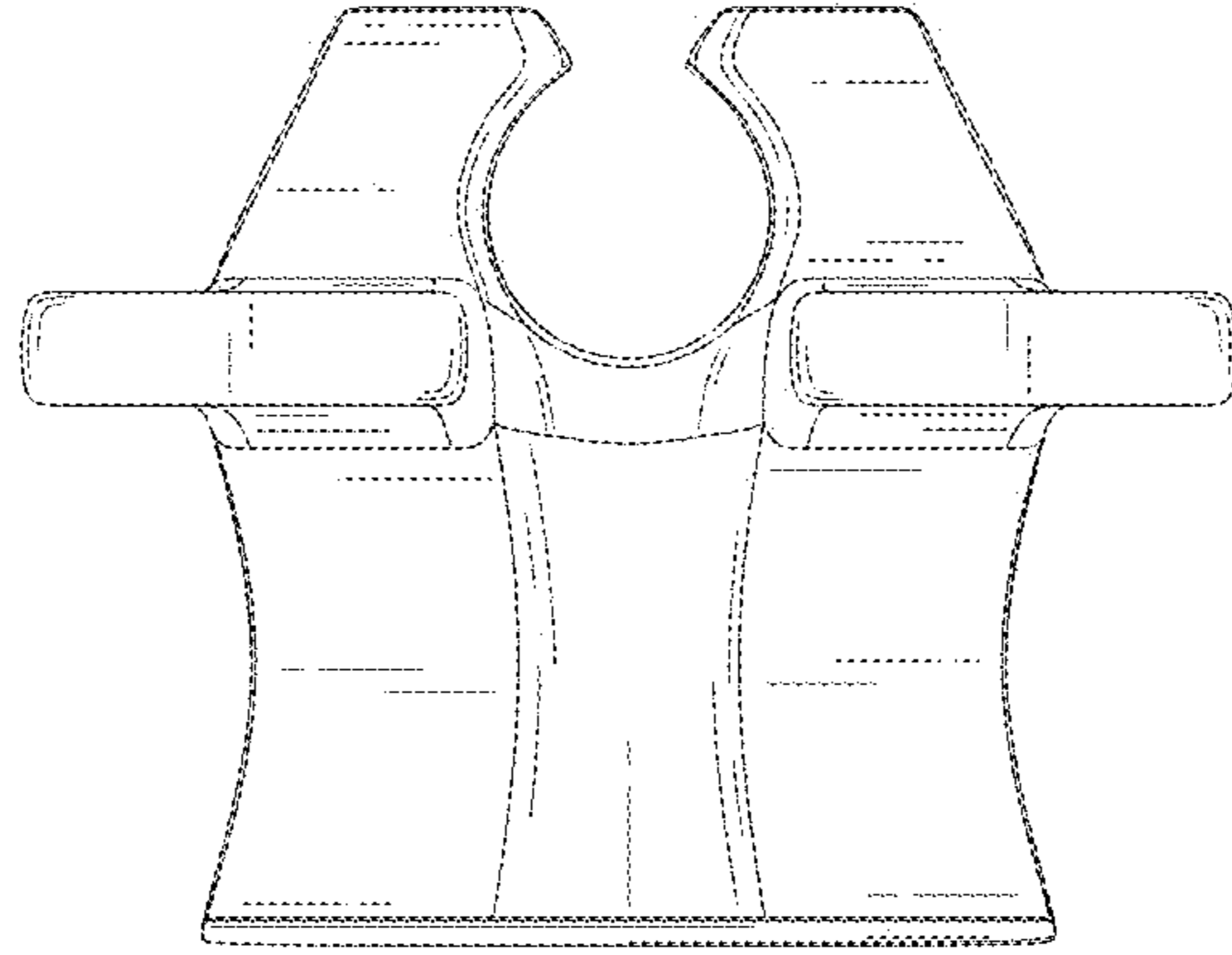


FIG. 5

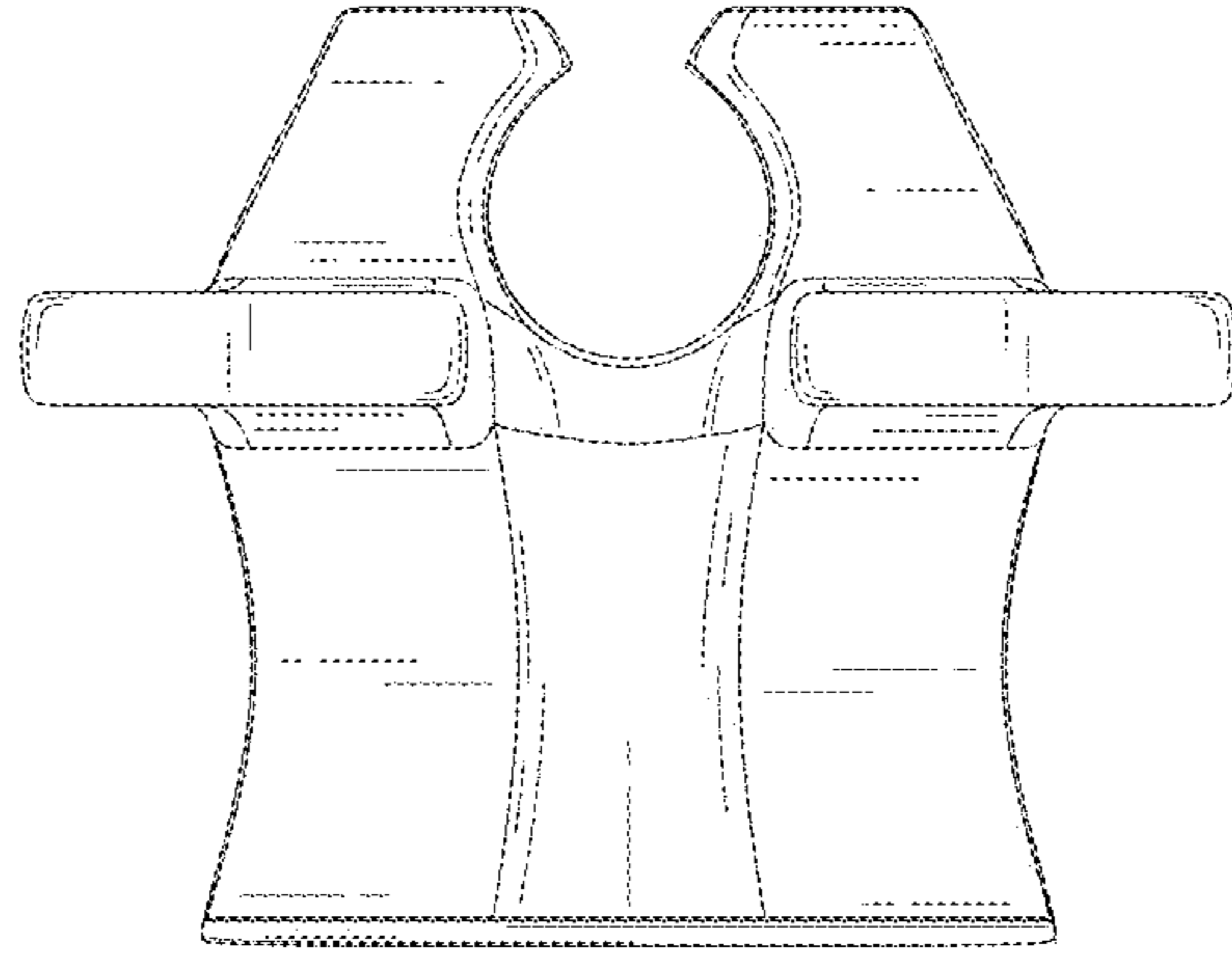


FIG. 6



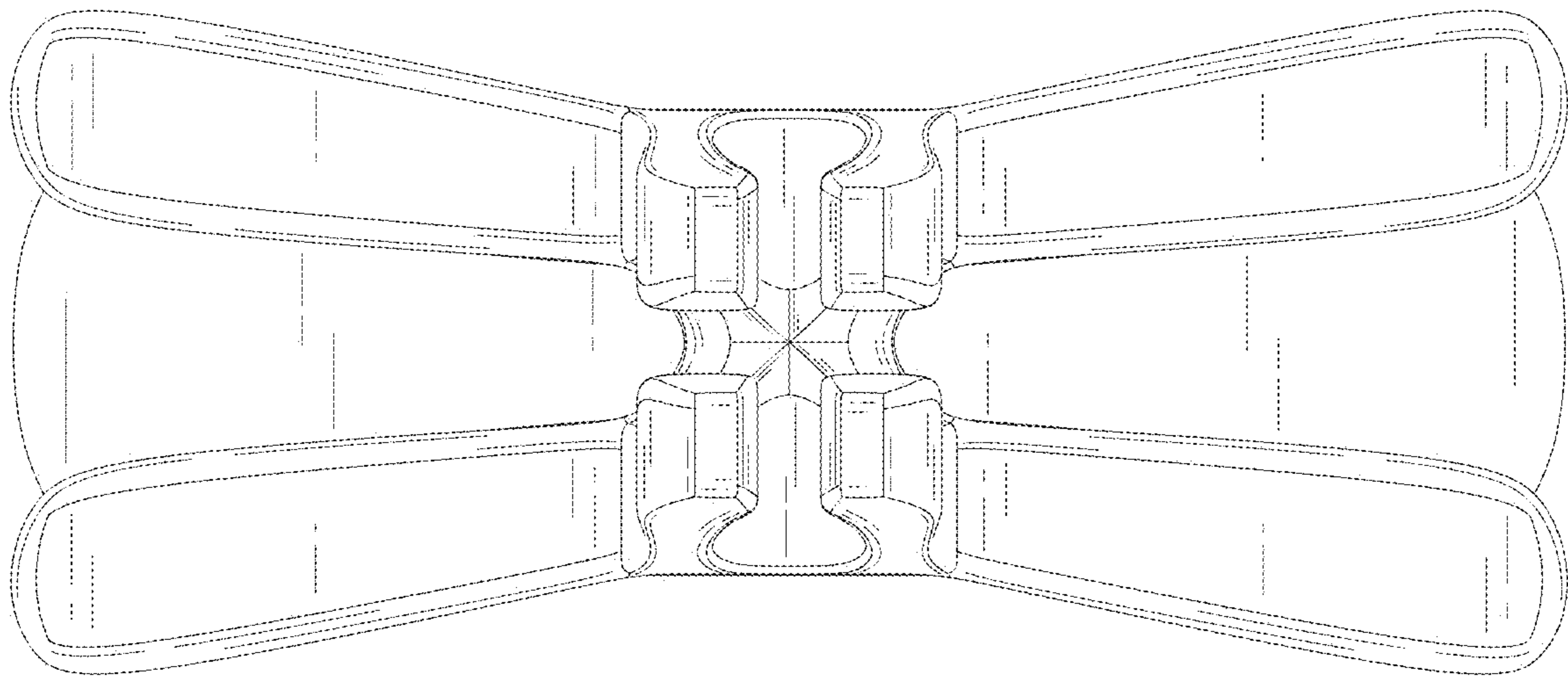


FIG. 7

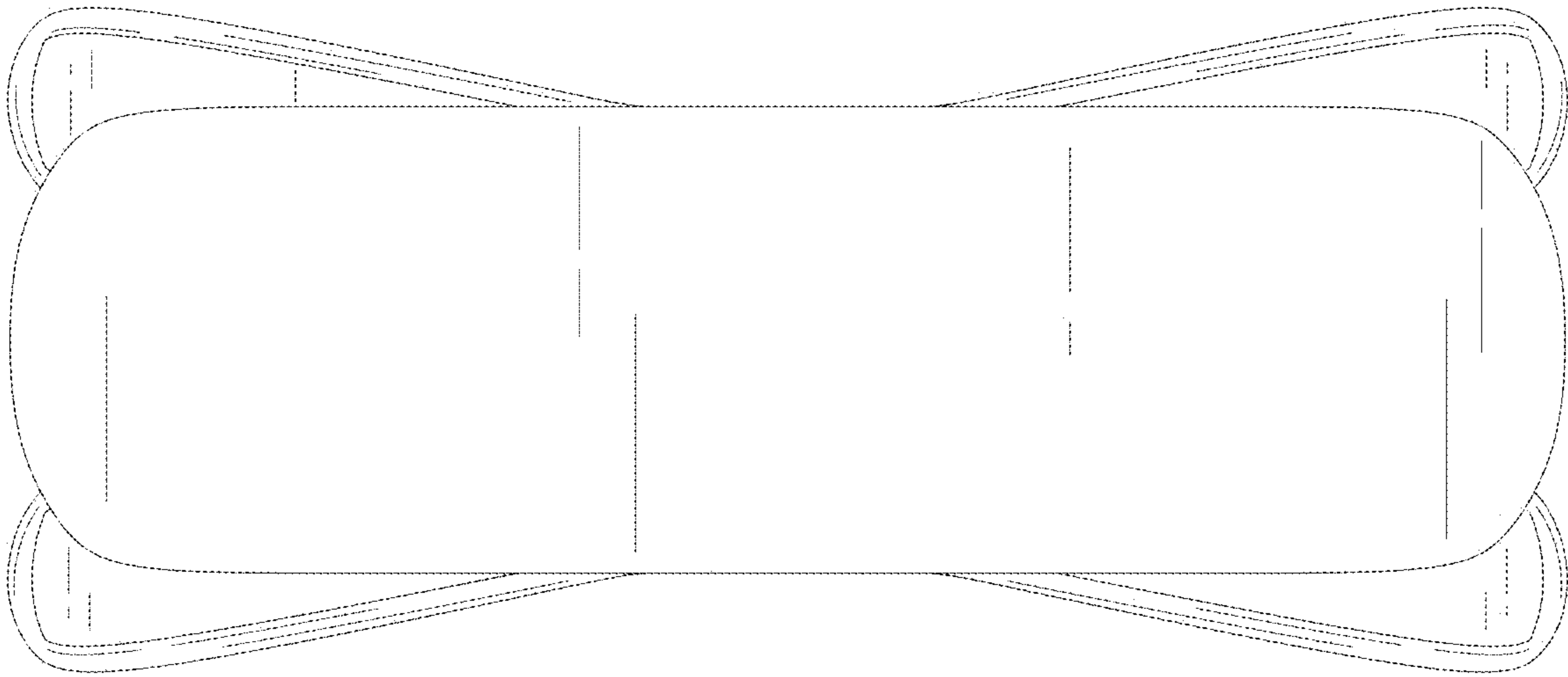


FIG. 8