



US00D983654S

(12) **United States Design Patent**  
**Krauss**

(10) **Patent No.:** **US D983,654 S**

(45) **Date of Patent:** **\*\* \*Apr. 18, 2023**

(54) **FURNITURE CASTER**

(71) Applicant: **Gross + Froelich GmbH & Co. KG,**  
Weil der Stadt (DE)

(72) Inventor: **Ferdinand Krauss,** Sindelfingen (DE)

(\*) Notice: This patent is subject to a terminal disclaimer.

(\*\*) Term: **15 Years**

(21) Appl. No.: **35/508,254**

(22) Filed: **Nov. 18, 2019**

(80) **Hague Agreement Data**

Int. Filing Date: **Nov. 18, 2019**

Int. Reg. No.: **DM/205051**

Int. Reg. Date: **Nov. 18, 2019**

Int. Reg. Pub. Date: **Dec. 27, 2019**

(51) **LOC (14) Cl.** ..... **08-11**

(52) **U.S. Cl.**  
USPC ..... **D8/375**

(58) **Field of Classification Search**  
USPC ..... D8/375; D6/366, 716  
CPC .... Y10T 16/18; Y10T 16/184; Y10T 16/1853  
See application file for complete search history.

(56) **References Cited**

**U.S. PATENT DOCUMENTS**

4,679,662	A *	7/1987	Nordskog	.....	B60B 33/0028
					16/35 R
5,210,903	A *	5/1993	Horning	.....	B60B 33/00
					16/18 R
D456,697	S *	5/2002	Holbrook	.....	D8/375
D457,809	S *	5/2002	Holbrook	.....	D8/375
D460,345	S *	7/2002	Screen	.....	D8/375
D461,398	S *	8/2002	Holbrook	.....	D8/375
D465,725	S *	11/2002	Holbrook	.....	D8/375
D470,748	S *	2/2003	Tsai	.....	D8/375
D553,962	S *	10/2007	Rittfeldt	.....	D8/375

D573,010	S *	7/2008	Lin	.....	D8/375
D576,868	S *	9/2008	Minamiura	.....	D8/375
D593,847	S *	6/2009	Graffunder	.....	D8/375
D594,316	S *	6/2009	Rhein	.....	D8/375
D639,148	S *	6/2011	Schioppa	.....	D8/375
D653,526	S *	2/2012	Melara	.....	D8/375
D668,944	S *	10/2012	Tsai	.....	D8/375
8,302,256	B1 *	11/2012	Spraley	.....	B60B 33/0018
					16/30
D725,459	S *	3/2015	Schulz	.....	D8/375
D729,051	S *	5/2015	Fan	.....	D8/375
D735,022	S *	7/2015	Fan	.....	D8/375
D778,146	S *	2/2017	Kausemann	.....	D8/375
D804,939	S *	12/2017	Starck	.....	D8/375
10,434,820	B1 *	10/2019	Savruha	.....	B60B 33/0002

(Continued)

*Primary Examiner* — Darlington Ly

(74) *Attorney, Agent, or Firm* — Dickinson Wright PLLC

(57) **CLAIM**

The ornamental design for a furniture caster, as shown and described.

**DESCRIPTION**

Figure 1.1 is a top, front, and left side perspective view of a furniture caster showing this new design in accordance to a first embodiment;

Figure 1.2 is a right side elevation view thereof;

Figure 1.3 a left side elevation view thereof;

Figure 1.4 is a front elevation view thereof;

Figure 1.5 s a rear elevation view thereof;

Figure 1.6 is a top plan view thereof; and

Figure 1.7 is a bottom plan view thereof.

Figure 4.1 is a top, front, and left side perspective view of a furniture caster showing this new design in accordance to a second embodiment;

Figure 4.2 is a right side elevation view thereof;

Figure 4.3 is a left elevation view thereof;

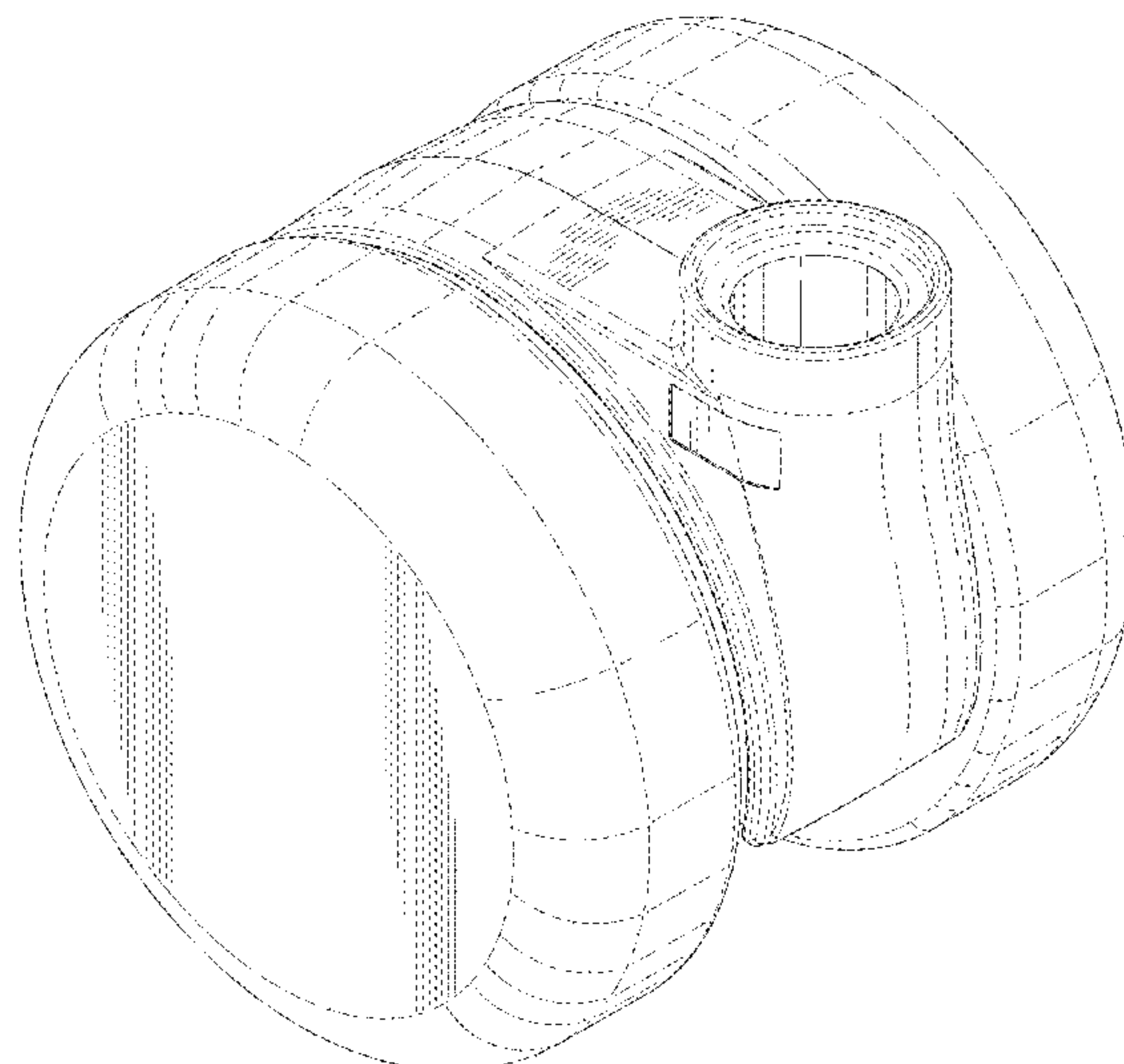
Figure 4.4 is a front elevation view thereof;

Figure 4.5 is a rear elevation view thereof;

Figure 4.6 is a top plan view thereof; and

Figure 4.7 is a bottom plan view thereof.

**1 Claim, 14 Drawing Sheets**



(56)

**References Cited**

U.S. PATENT DOCUMENTS

10,759,221 B1 \* 9/2020 Tsai ..... B60B 33/0028  
D901,182 S \* 11/2020 Chen ..... D3/318  
D901,283 S \* 11/2020 Chen ..... D8/375

\* cited by examiner

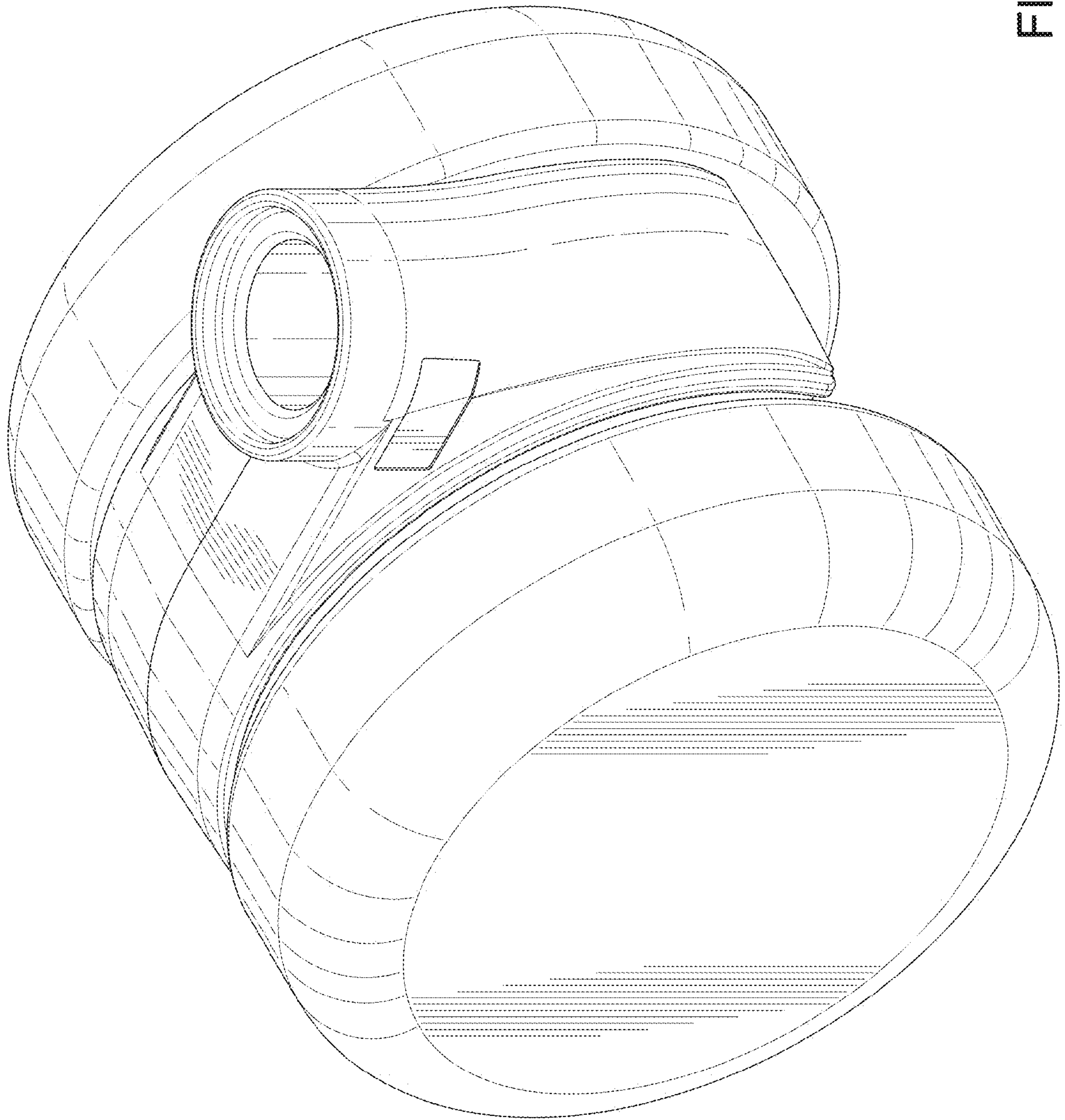


FIG. 1.1

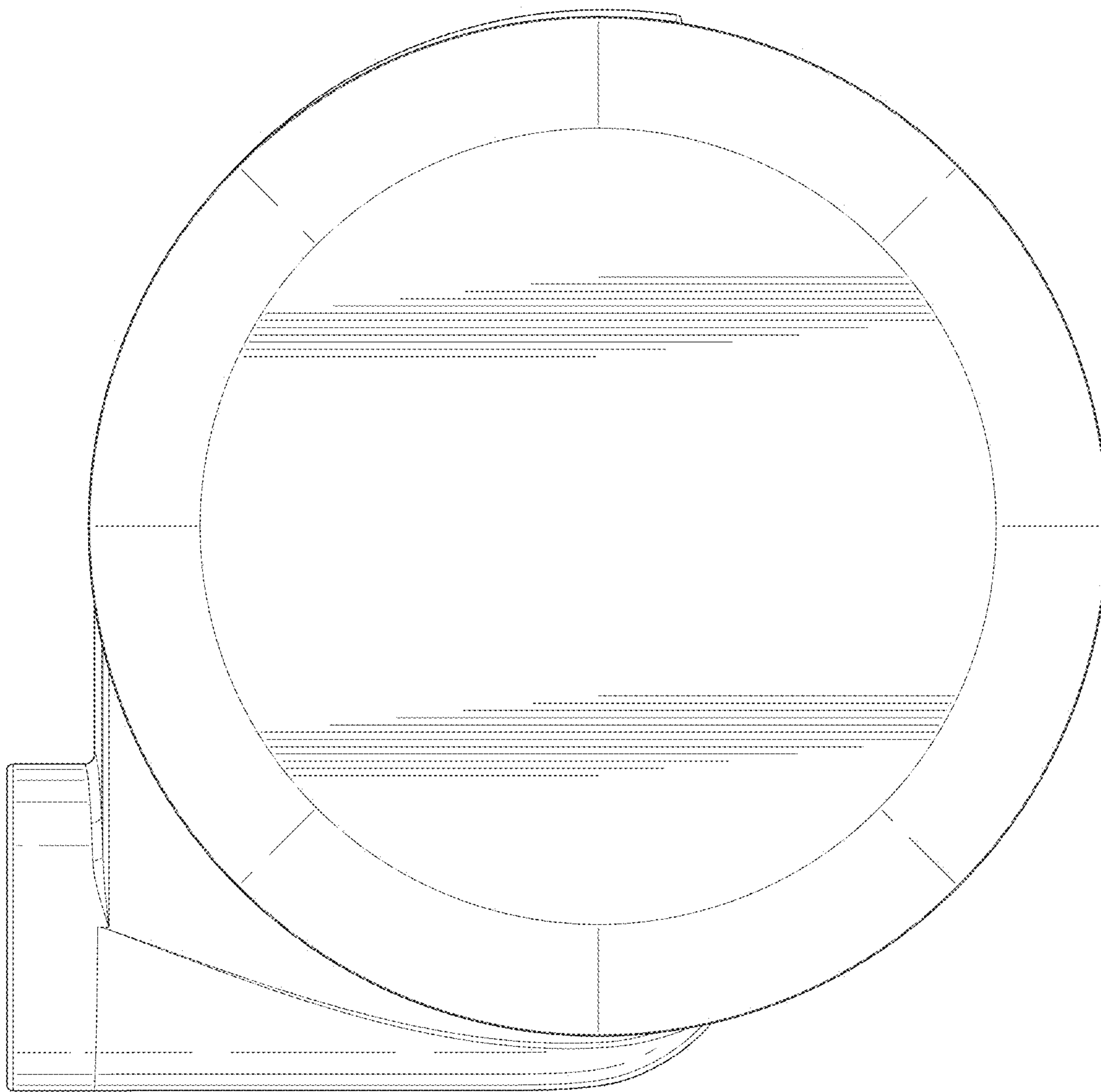


FIG. 1.2

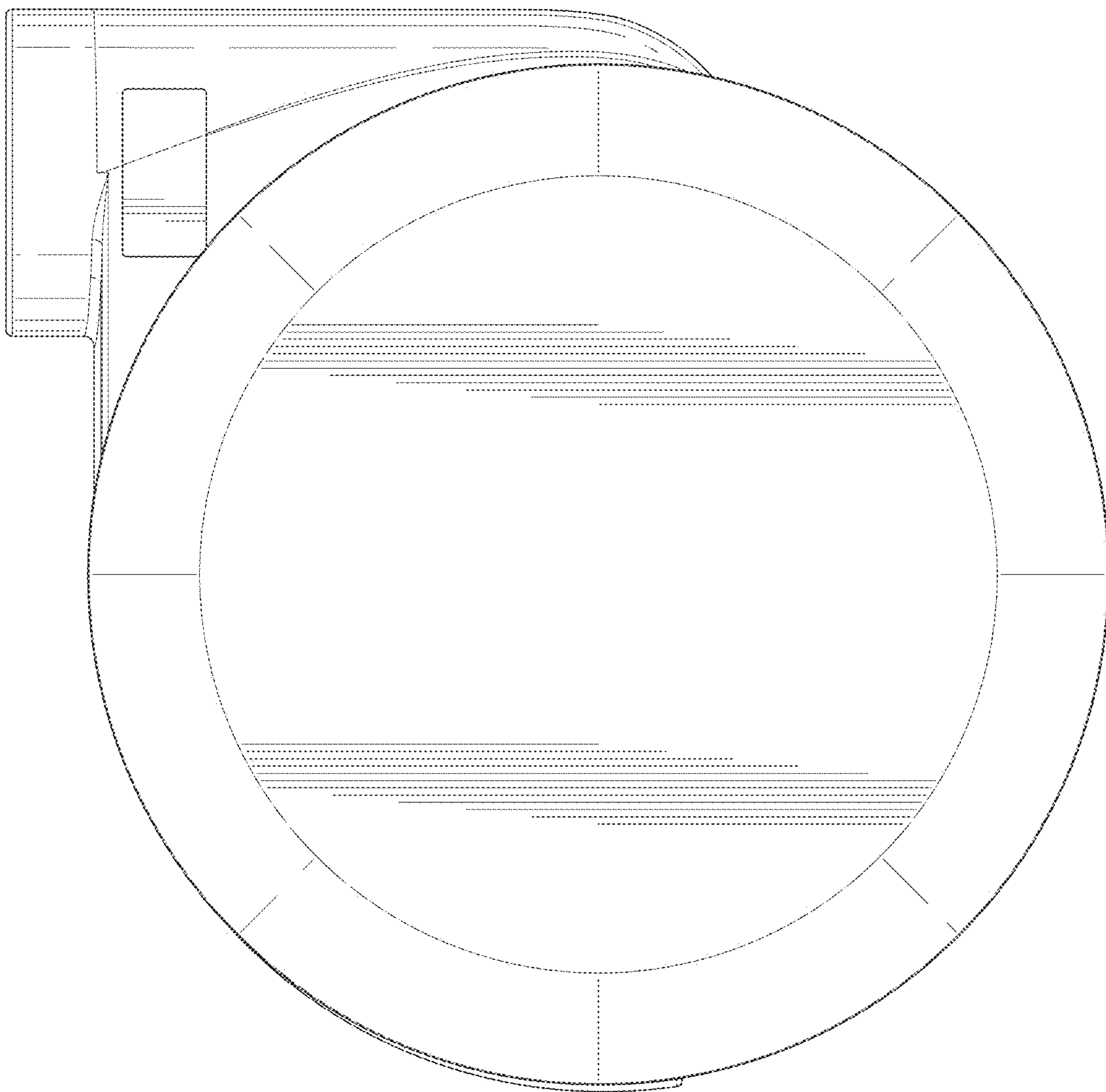


FIG. 1.3



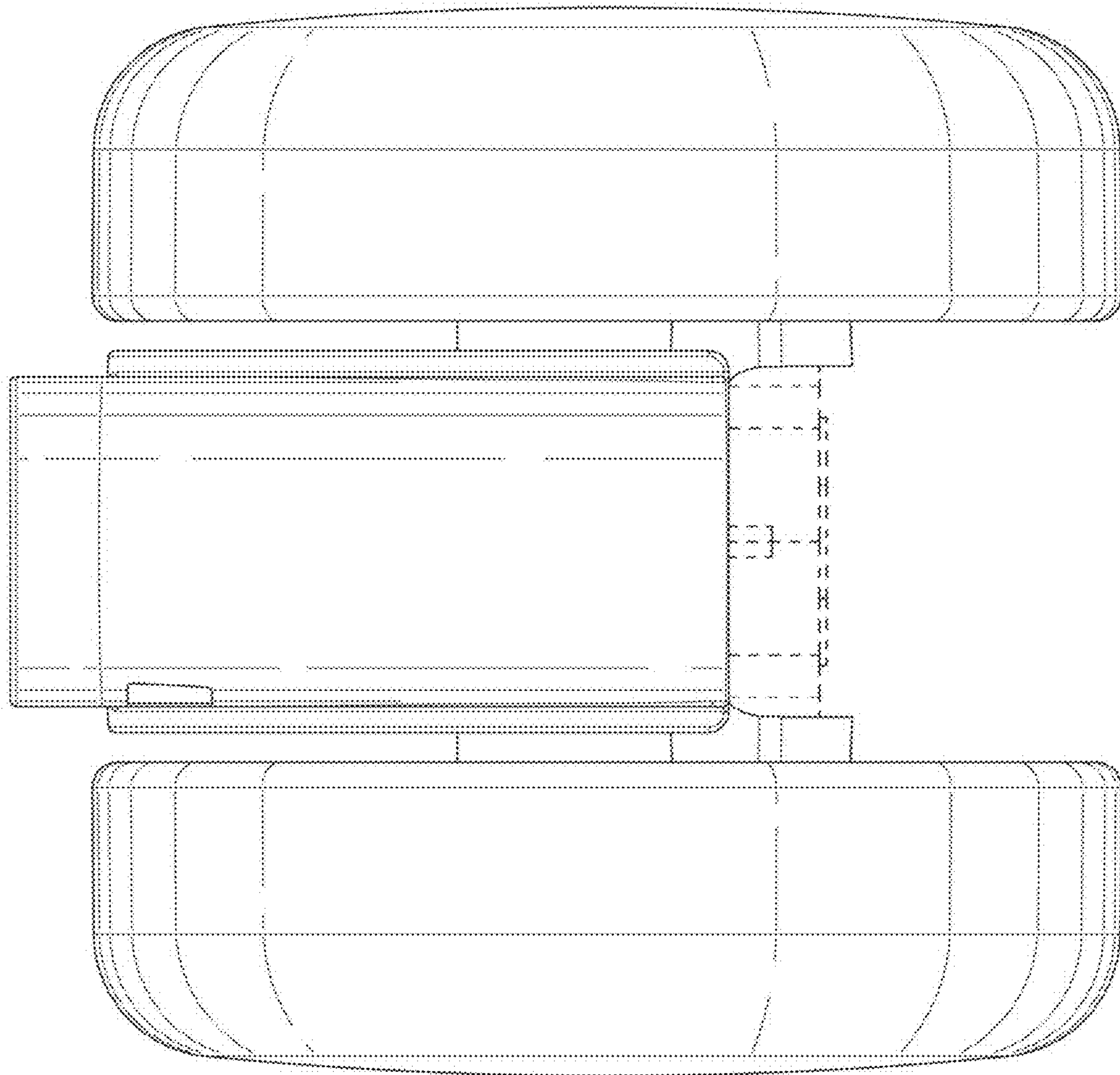


FIG. 1.4

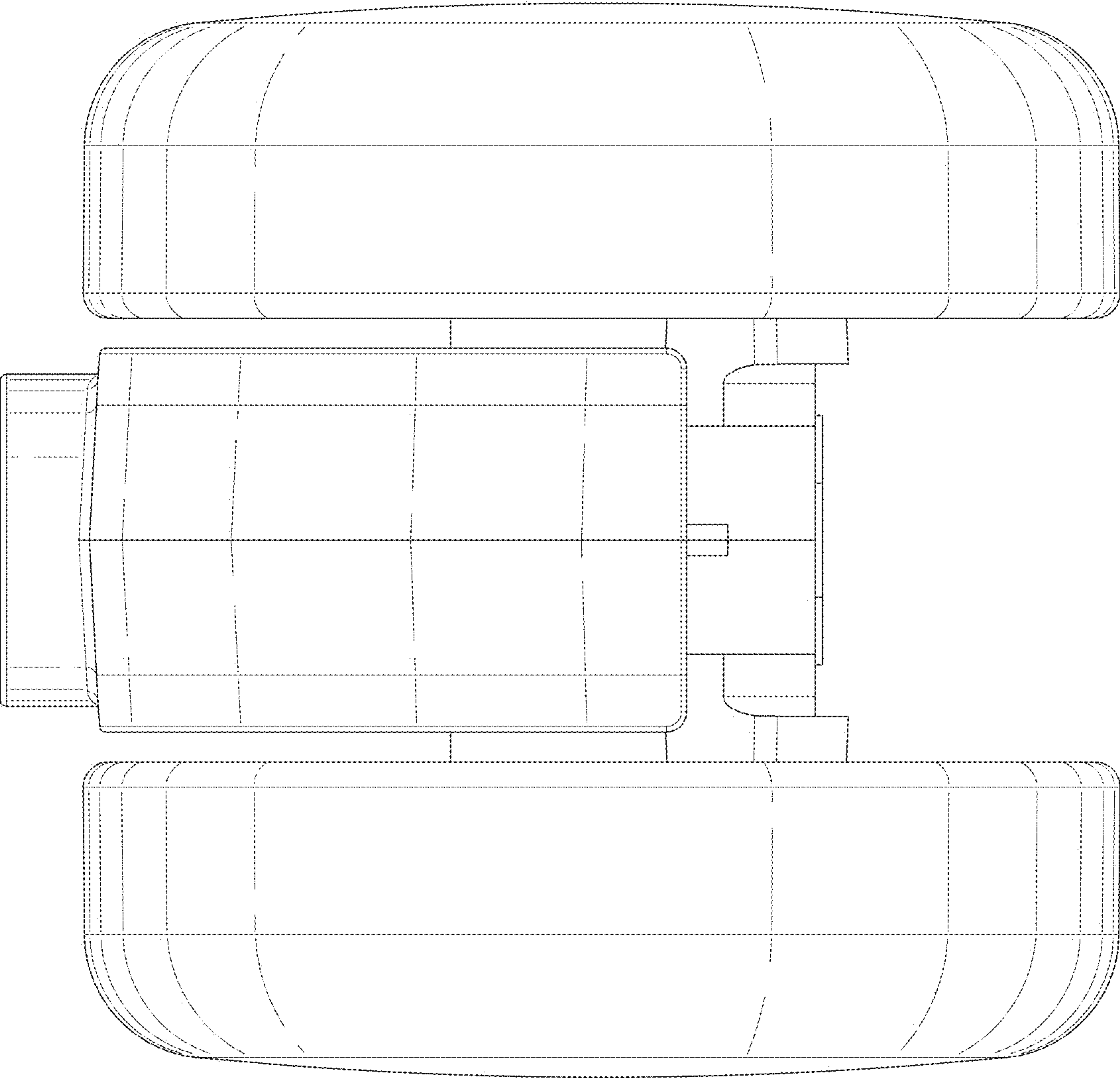


FIG. 1.5

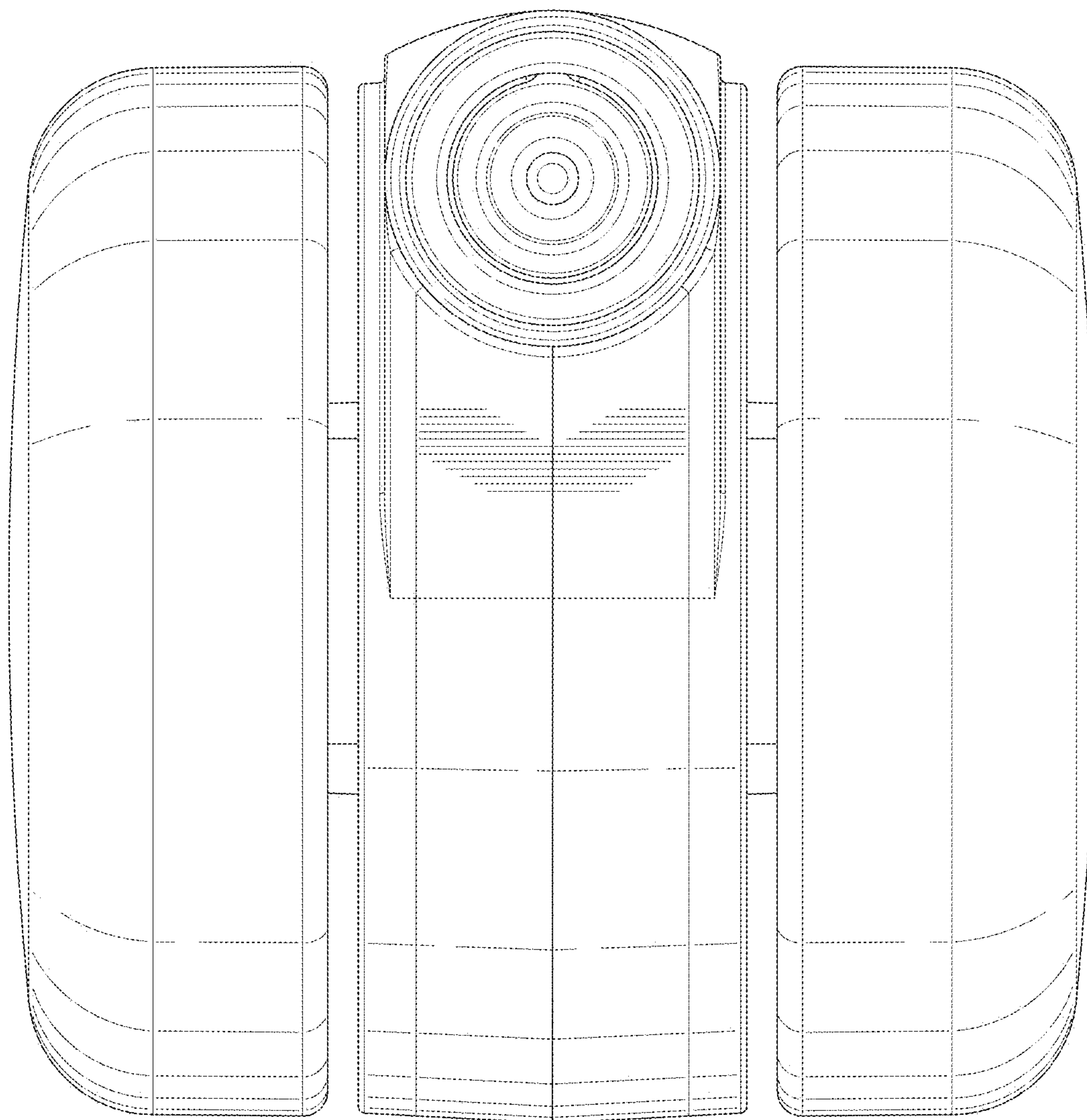


FIG. 1.6



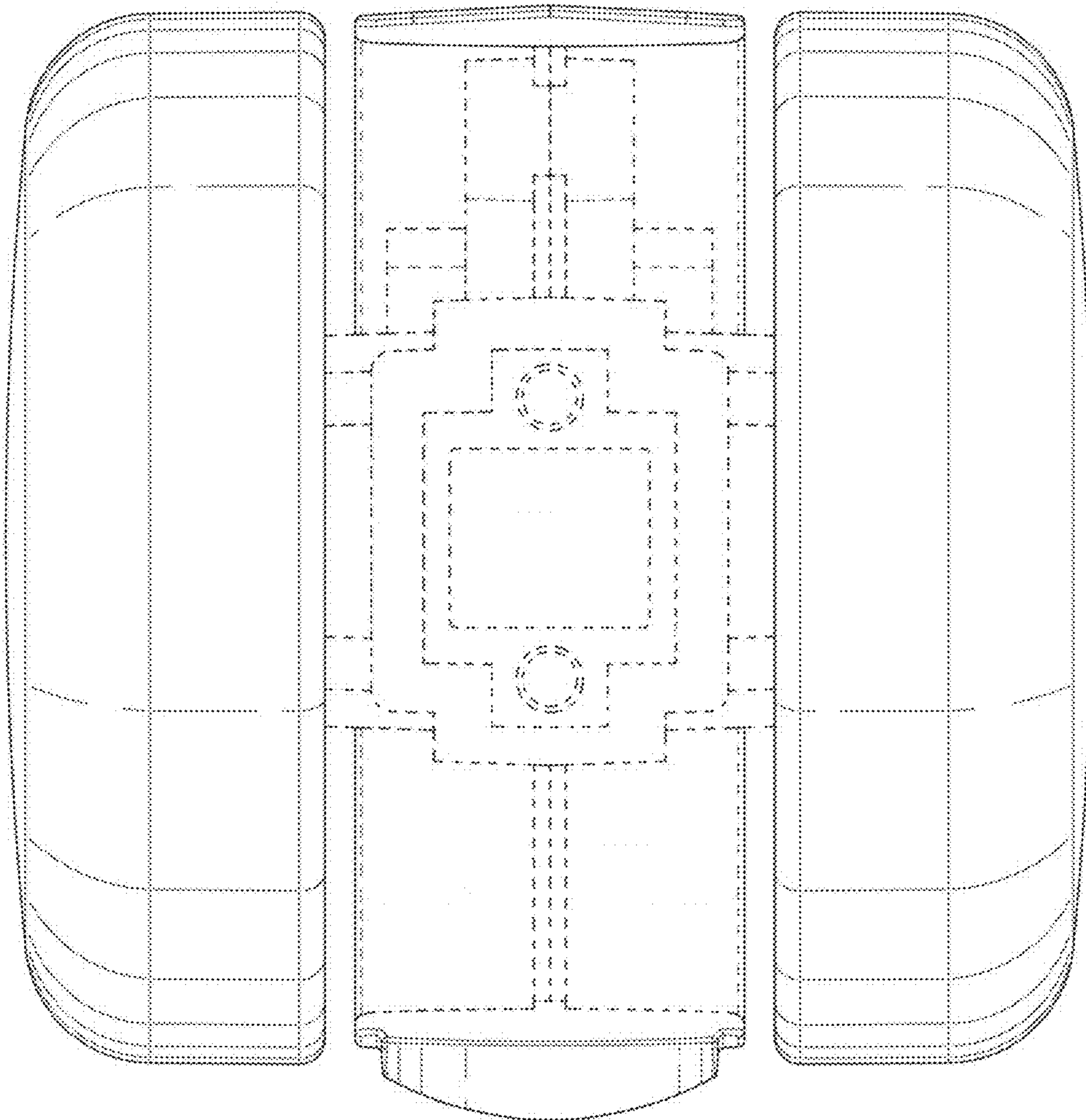
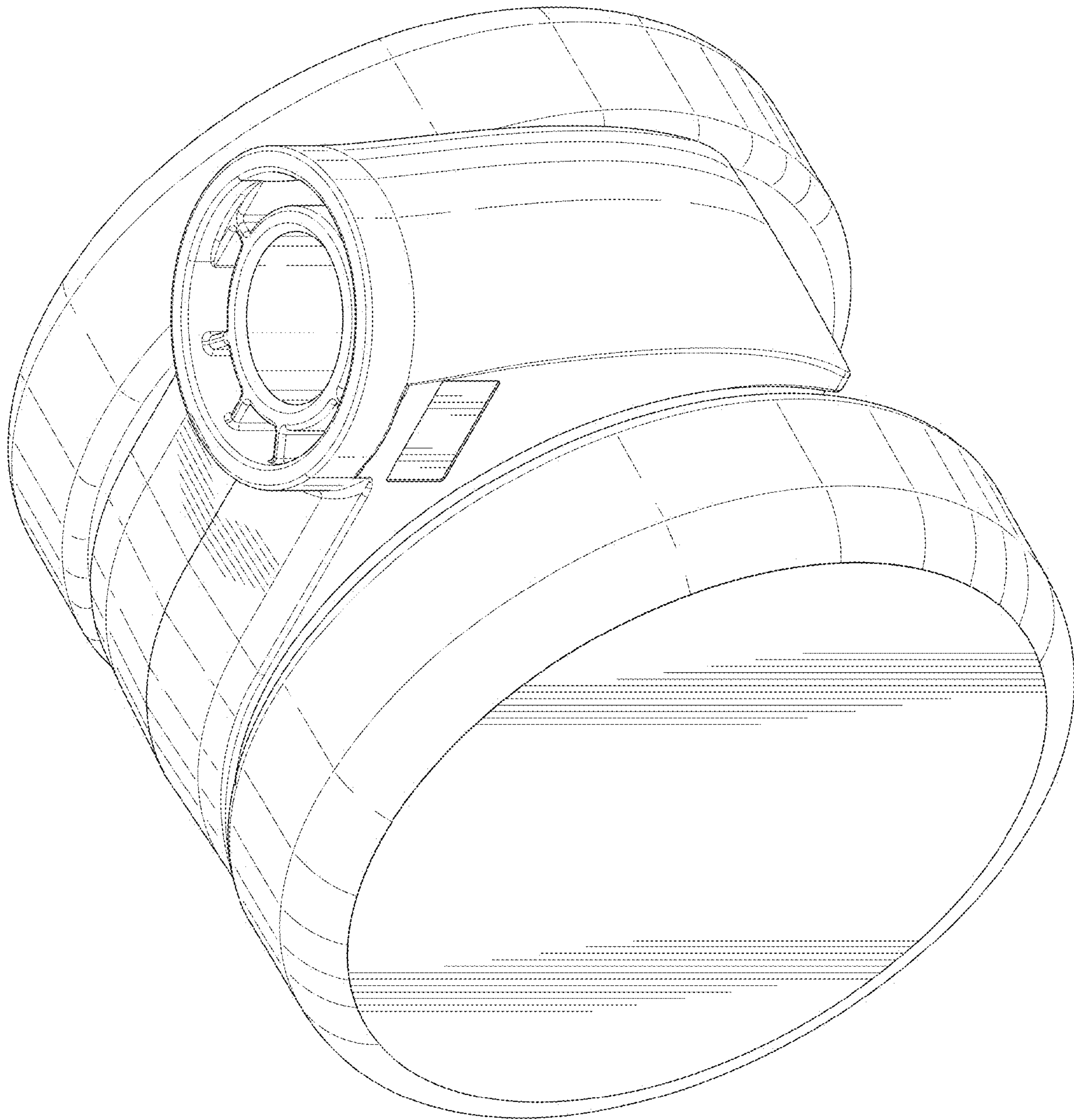


FIG. 1.7

FIG. 4.1



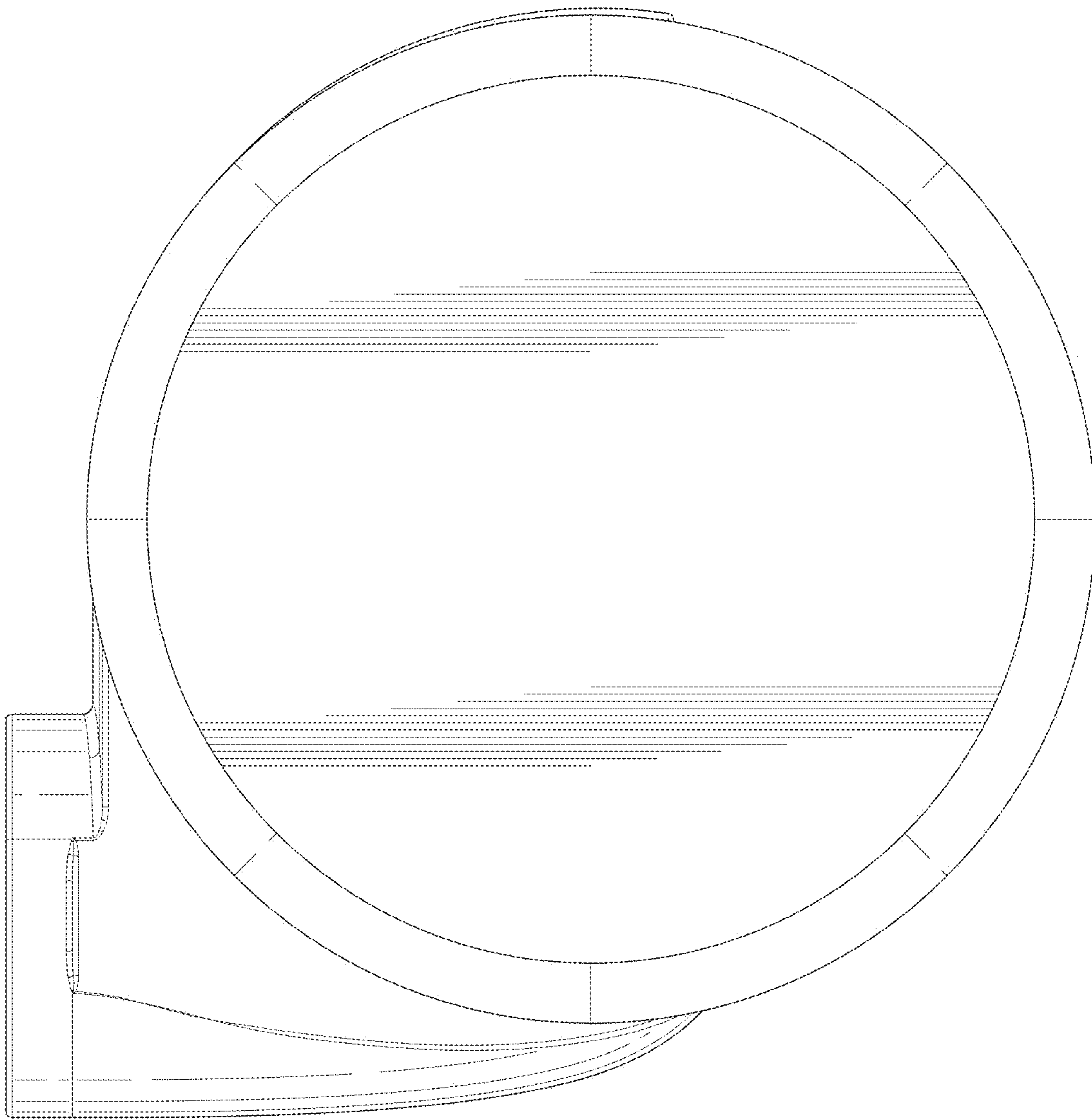


FIG. 4.2

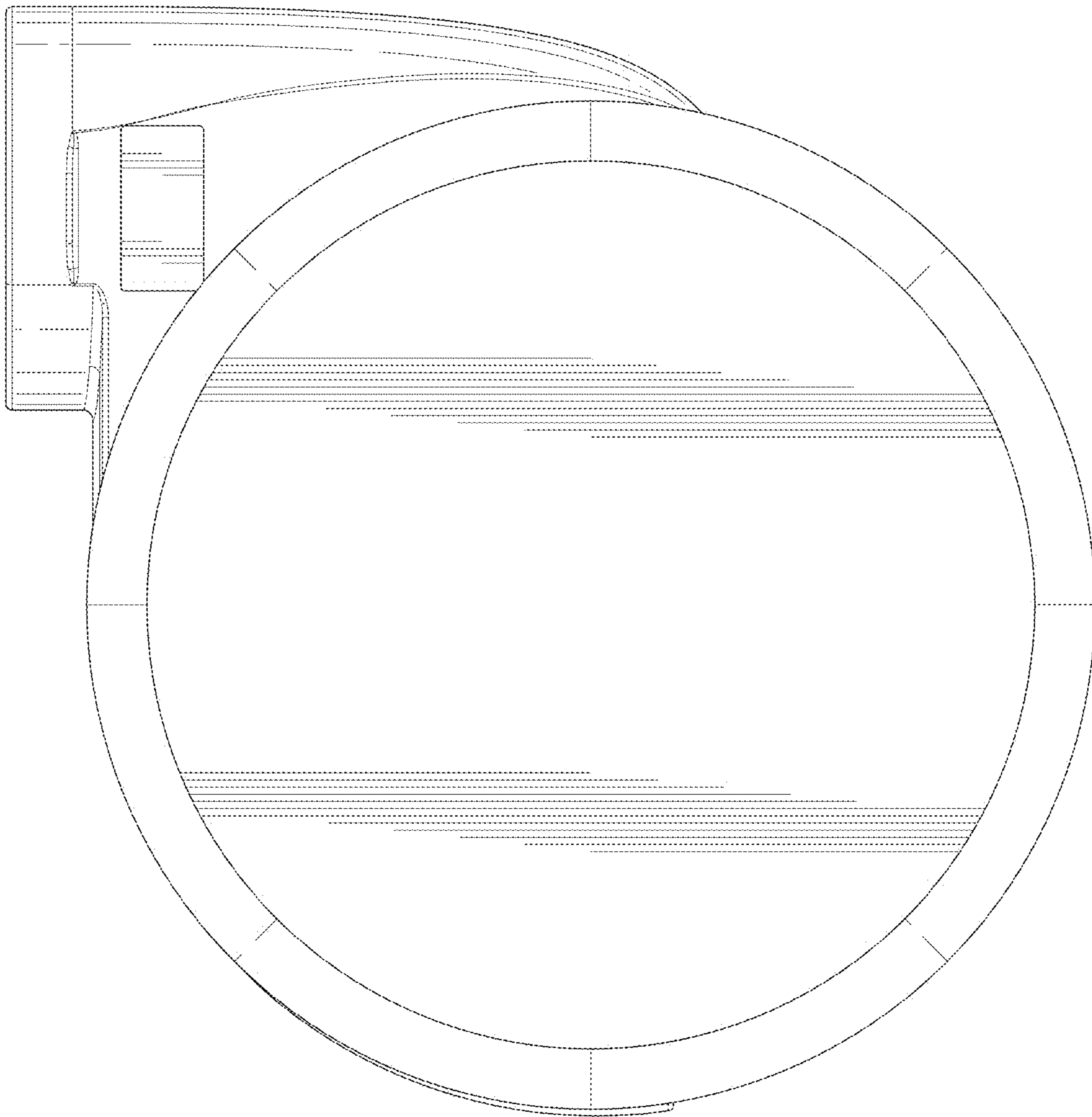


FIG. 4.3

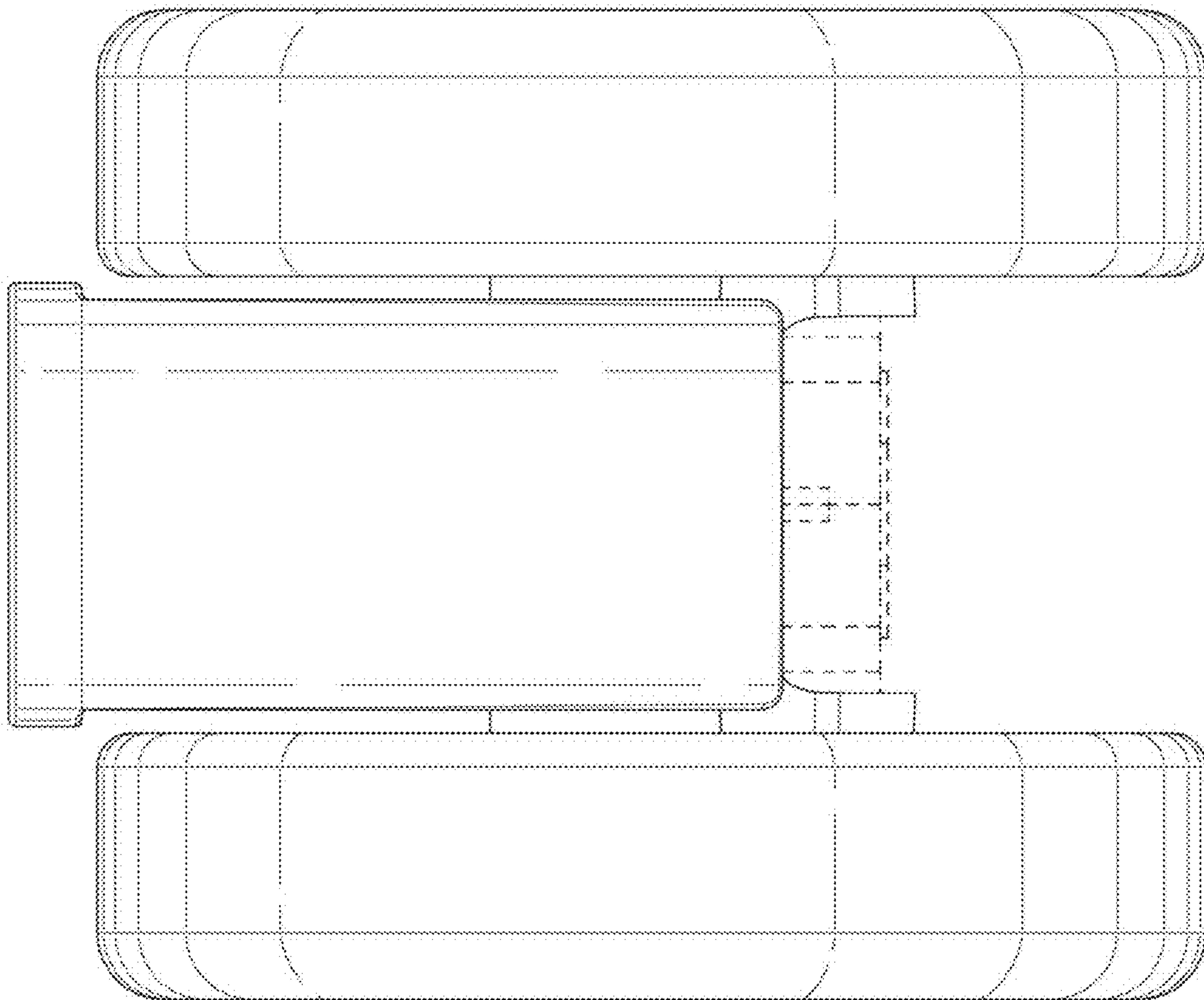


FIG. 4.4



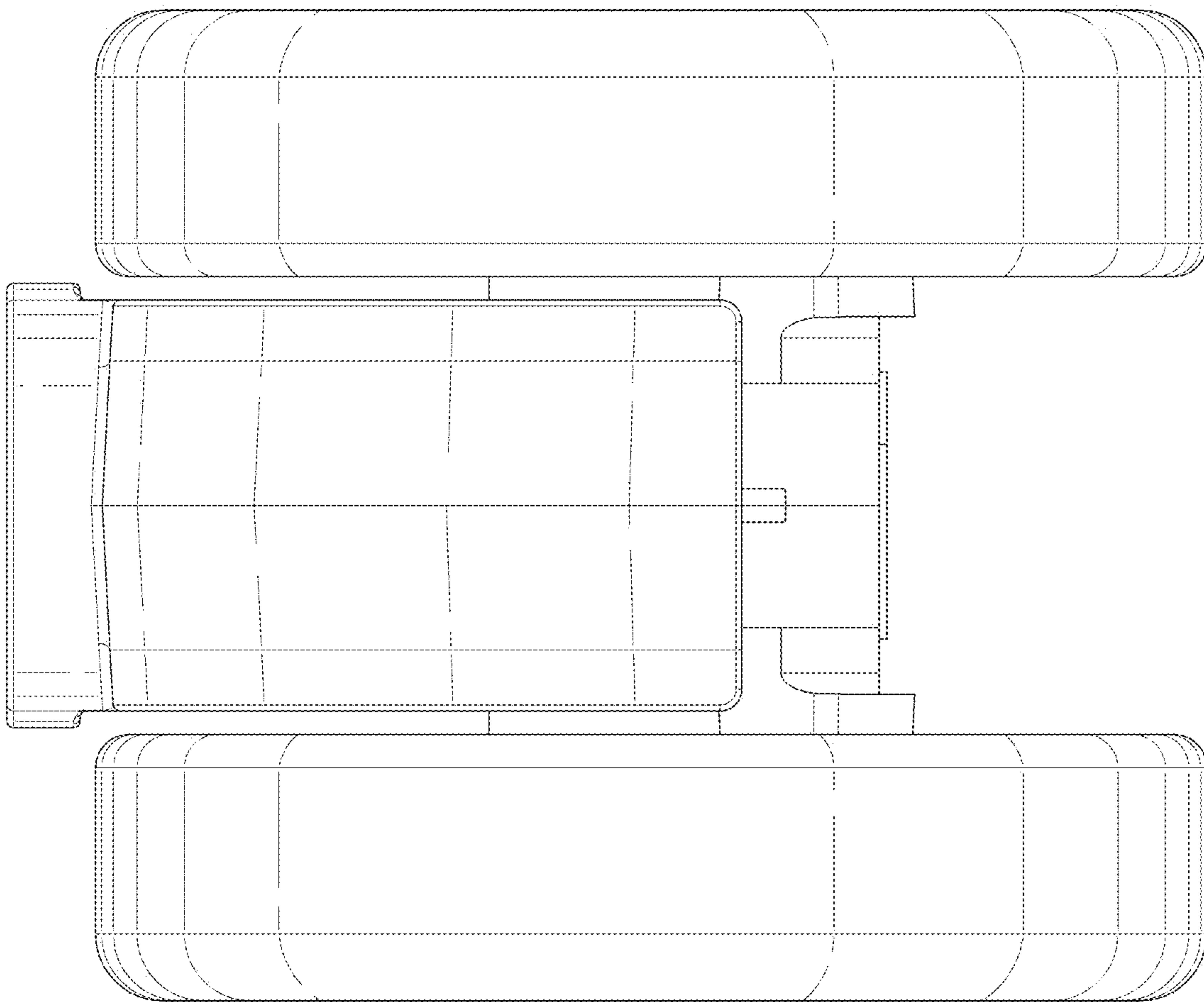


FIG. 4.5

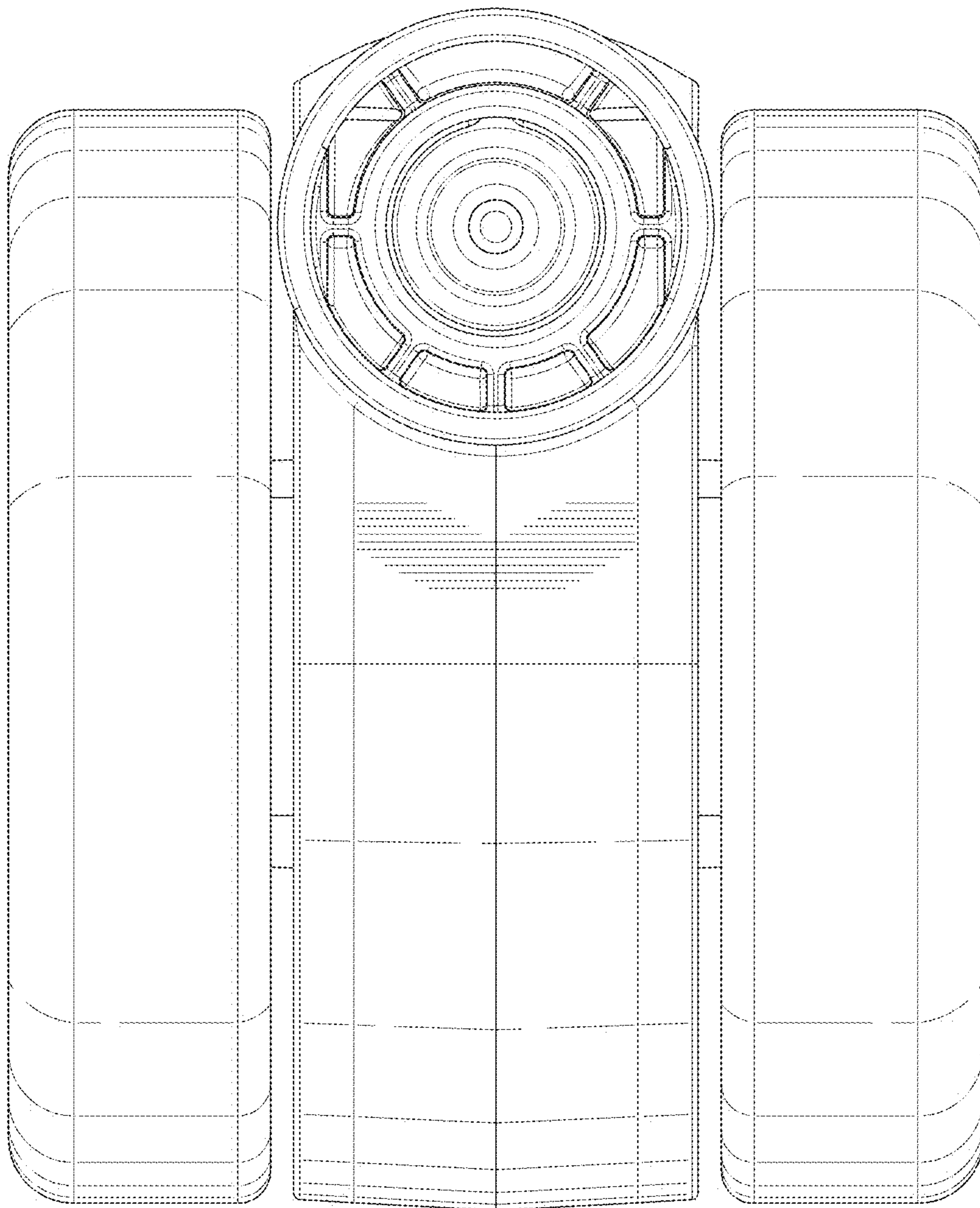


FIG. 4.6

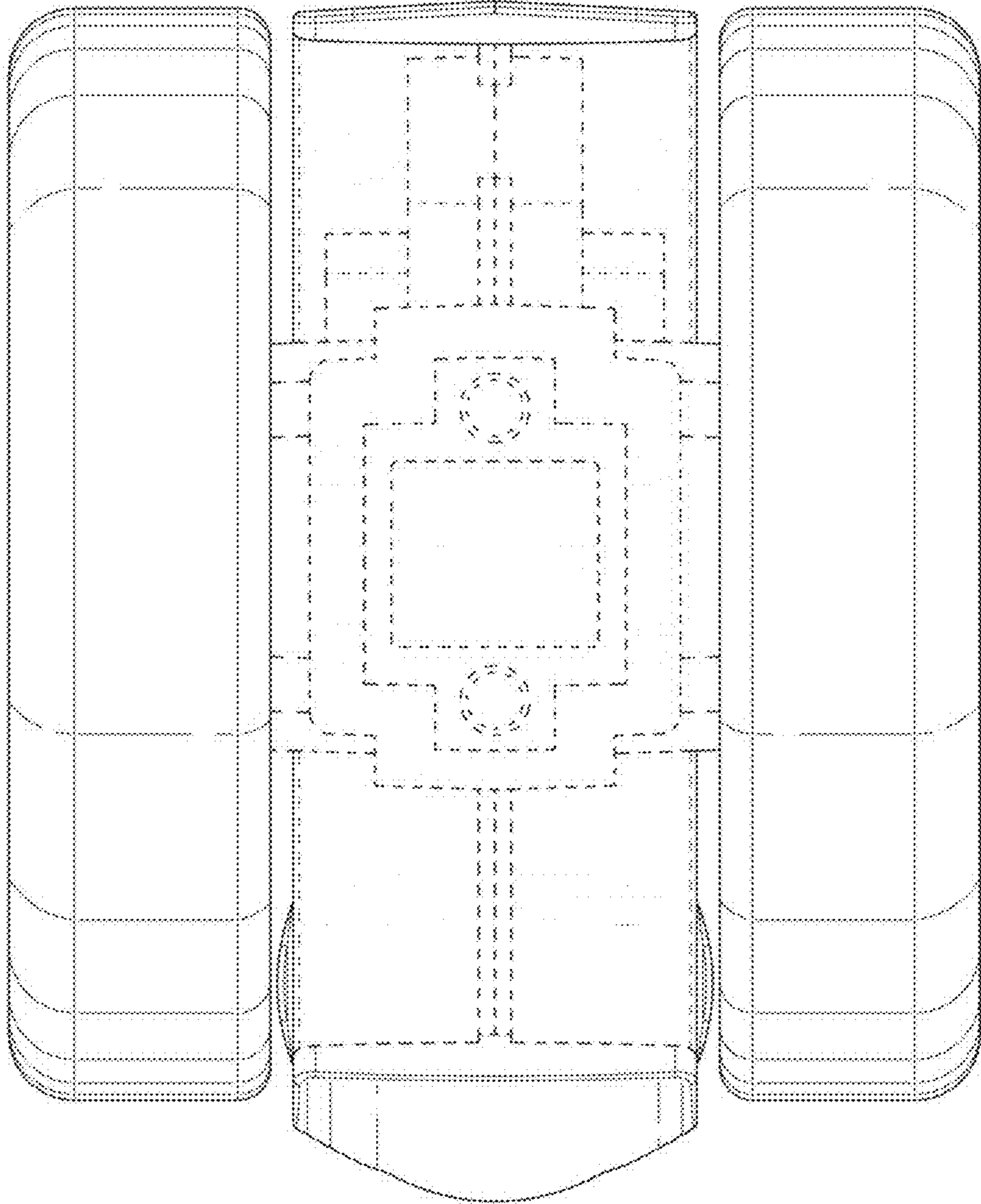


FIG. 4.7