



US00D983651S

(12) **United States Design Patent** (10) **Patent No.:** **US D983,651 S**
He (45) **Date of Patent:** **** Apr. 18, 2023**

(54) **CASTER** 6,532,624 B1 * 3/2003 Yang B60B 33/0042
16/35 R
(71) Applicant: **HOUSEABLES, INC.**, Santa Ana, CA D486,382 S * 2/2004 Sedgwick D8/375
(US) 7,143,472 B2 * 12/2006 Hicks B60B 33/0073
16/18 CG
(72) Inventor: **Ang-Qi He**, Yiwu (CN) D573,452 S * 7/2008 Graffunder D8/375
9,358,835 B2 * 6/2016 McKay B60C 7/24
D792,198 S * 7/2017 Cmich D8/375
(73) Assignee: **HOUSEABLES, LLC**, Santa Ana, CA 9,908,366 B2 * 3/2018 Bruno B60B 33/00
(US) 2017/0056260 A1 * 3/2017 Olsson A61G 5/04

(**) Term: **15 Years**

(21) Appl. No.: **29/757,284**

(22) Filed: **Nov. 4, 2020**

(51) **LOC (14) Cl.** **08-08**

(52) **U.S. Cl.**
USPC **D8/375**

(58) **Field of Classification Search**
USPC D3/279; D6/322, 708.24; D8/374, 375;
D12/20, 208, 209, 501, 511; D21/563,
D21/779
CPC B60B 33/0028; B60B 33/0039; B60B
33/0042; B60B 19/006; B60B 2900/141;
B60B 2900/551; B60B 2900/212; B60B
2900/325; B60B 2900/211; B60B
2200/00

See application file for complete search history.

(56) **References Cited**

U.S. PATENT DOCUMENTS

2,523,659 A * 9/1950 Heffernan B60B 33/00
16/18 CG
2,724,858 A * 11/1955 Reichert B60B 33/0028
16/36
3,964,124 A * 6/1976 Crawford B60B 33/00
16/21
D329,011 S * 9/1992 Block D8/375
D349,043 S * 7/1994 Carlson D8/375

OTHER PUBLICATIONS

Houseables Caster Wheel, posted Sep. 25, 2016 [online], [retrieved Dec. 8, 2022]. Retrieved from internet, <https://www.amazon.com/dp/B01LWO1P2F/> (Year: 2016).*

(Continued)

Primary Examiner — David G Muller
Assistant Examiner — Christina Gabrielle Cosden
(74) *Attorney, Agent, or Firm* — Anooj Patel; Kevin Schraven; Hankin Patent Law, APC

(57) **CLAIM**

The ornamental design for a caster, as shown and described.

DESCRIPTION

FIG. 1 is a top perspective view of a caster, showing my new design.

FIG. 2 is a bottom perspective view thereof.

FIG. 3 is a front elevational view thereof.

FIG. 4 is a rear elevational view thereof.

FIG. 5 is a right side elevational view thereof.

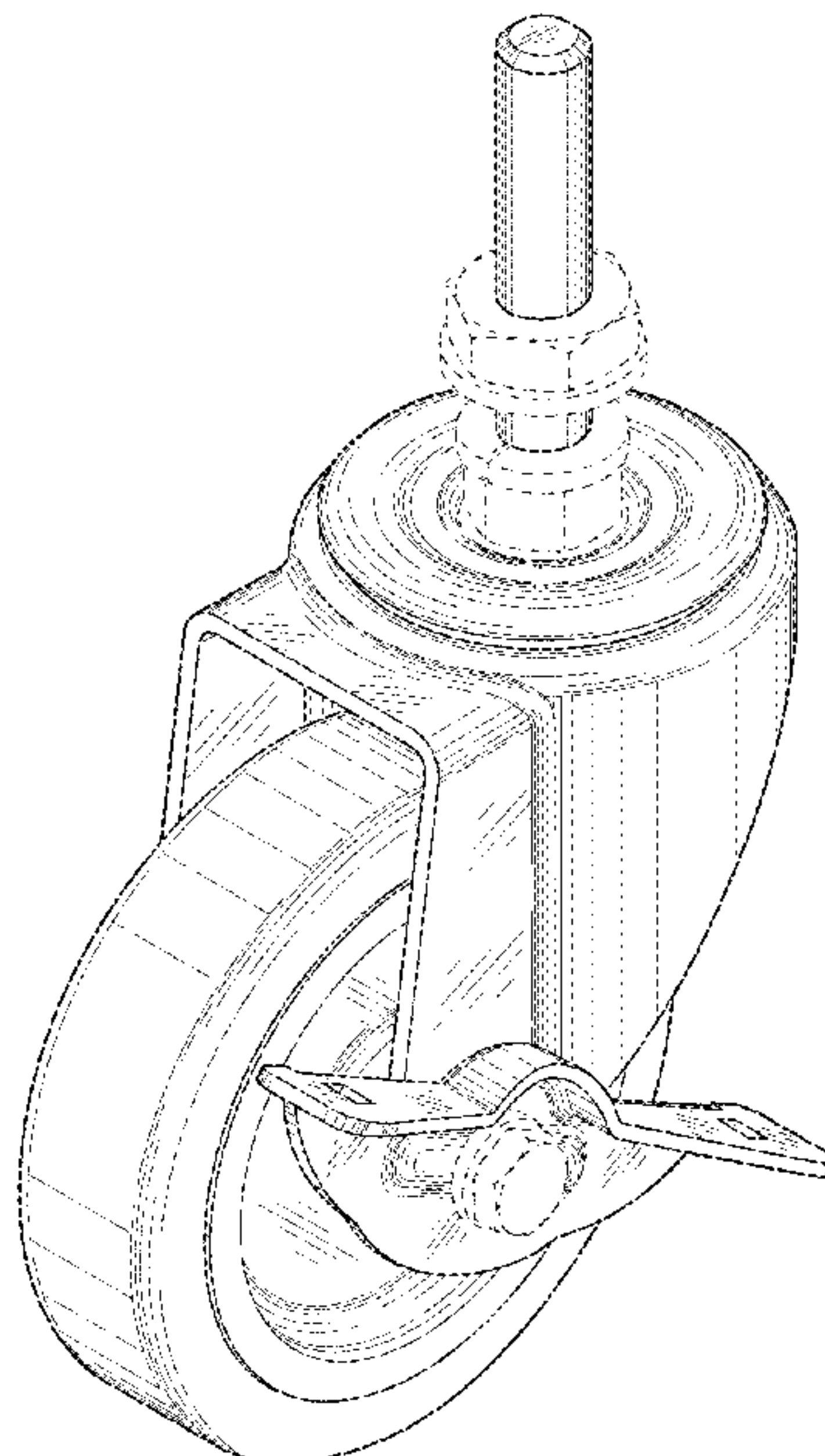
FIG. 6 is a left side elevational view thereof.

FIG. 7 is a top plan view thereof; and,

FIG. 8 is a bottom plan view thereof.

The broken lines in the figures show portions of the caster that form no part of the claimed design.

1 Claim, 8 Drawing Sheets



(56)

References Cited

OTHER PUBLICATIONS

HYEJDRV Casters, posted Jun. 24, 2022 [online], [retrieved Dec. 8, 2022]. Retrieved from internet, <https://www.amazon.com/HYEJDRV-Diameter-Threaded-Shelving-Replacement/dp/B0B51TD18Y/> (Year: 2022).*

WHARSTM Caster Wheel, posted Nov. 7, 2019 [online], [retrieved Dec. 8, 2022]. Retrieved from internet, <https://www.amazon.com/dp/B085MGHVB3/> (Year: 2019).*

* cited by examiner

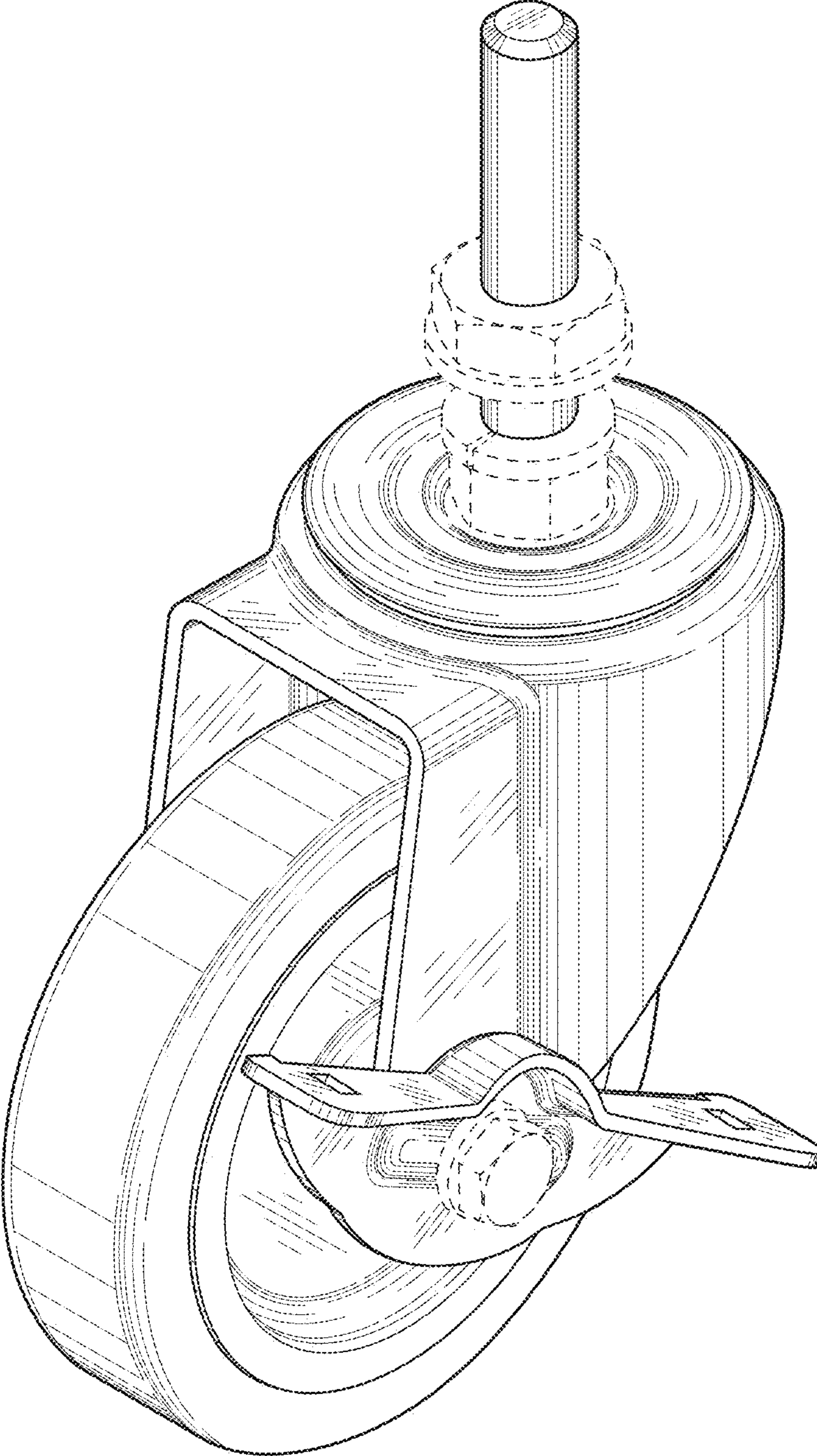


Fig. 1

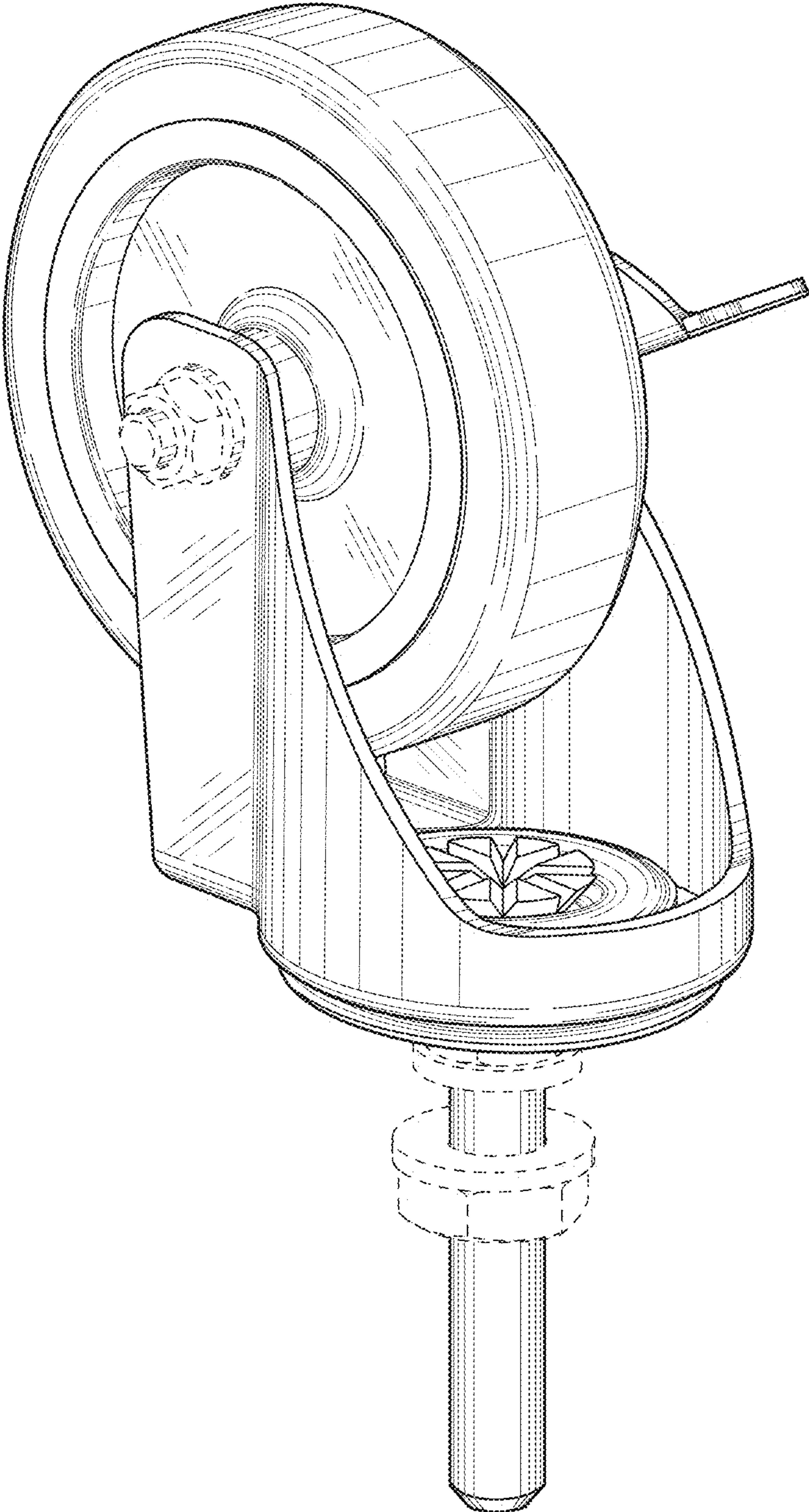


Fig.2

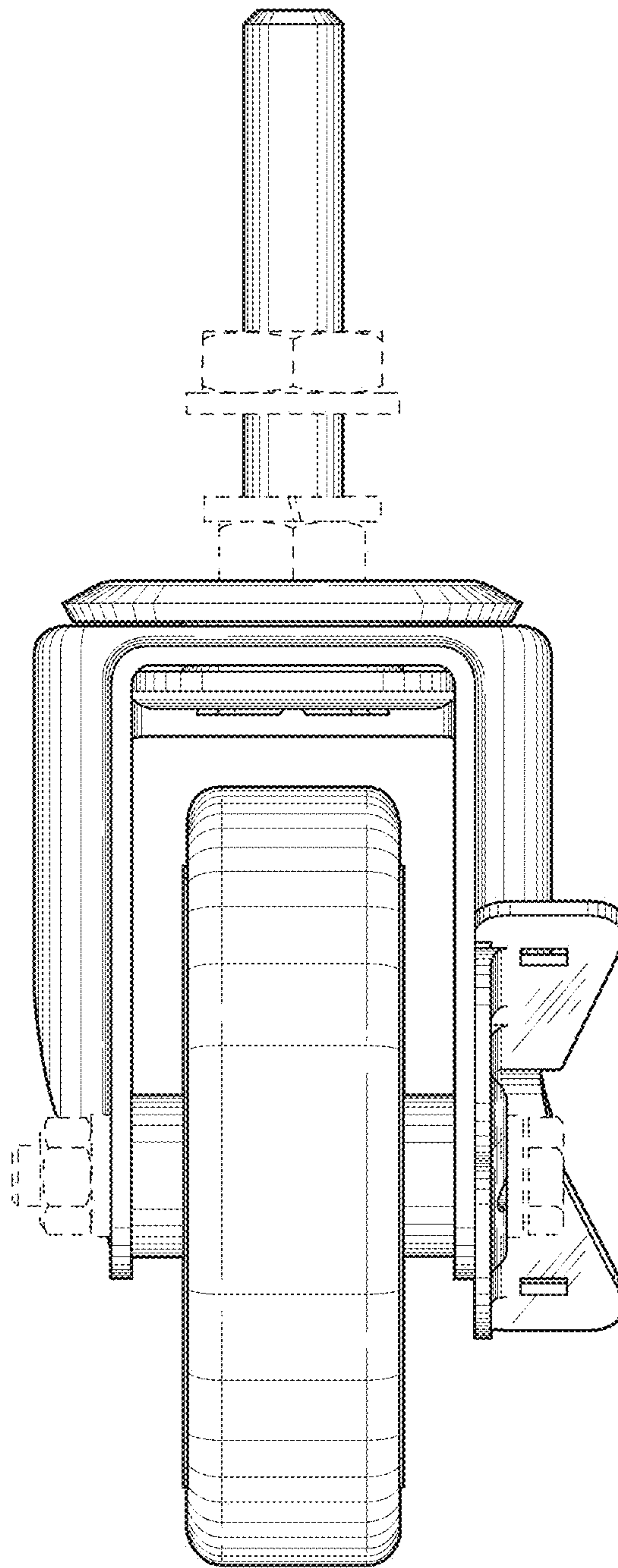


Fig.3

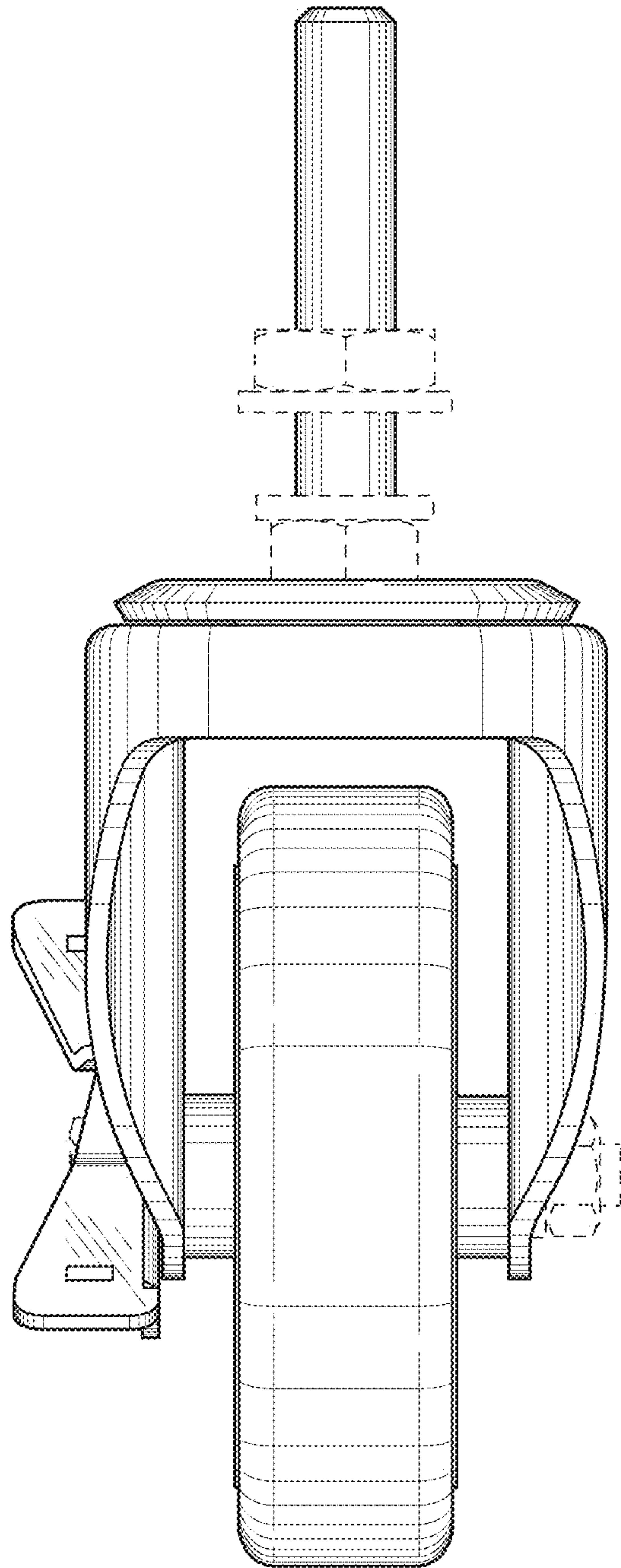


Fig.4

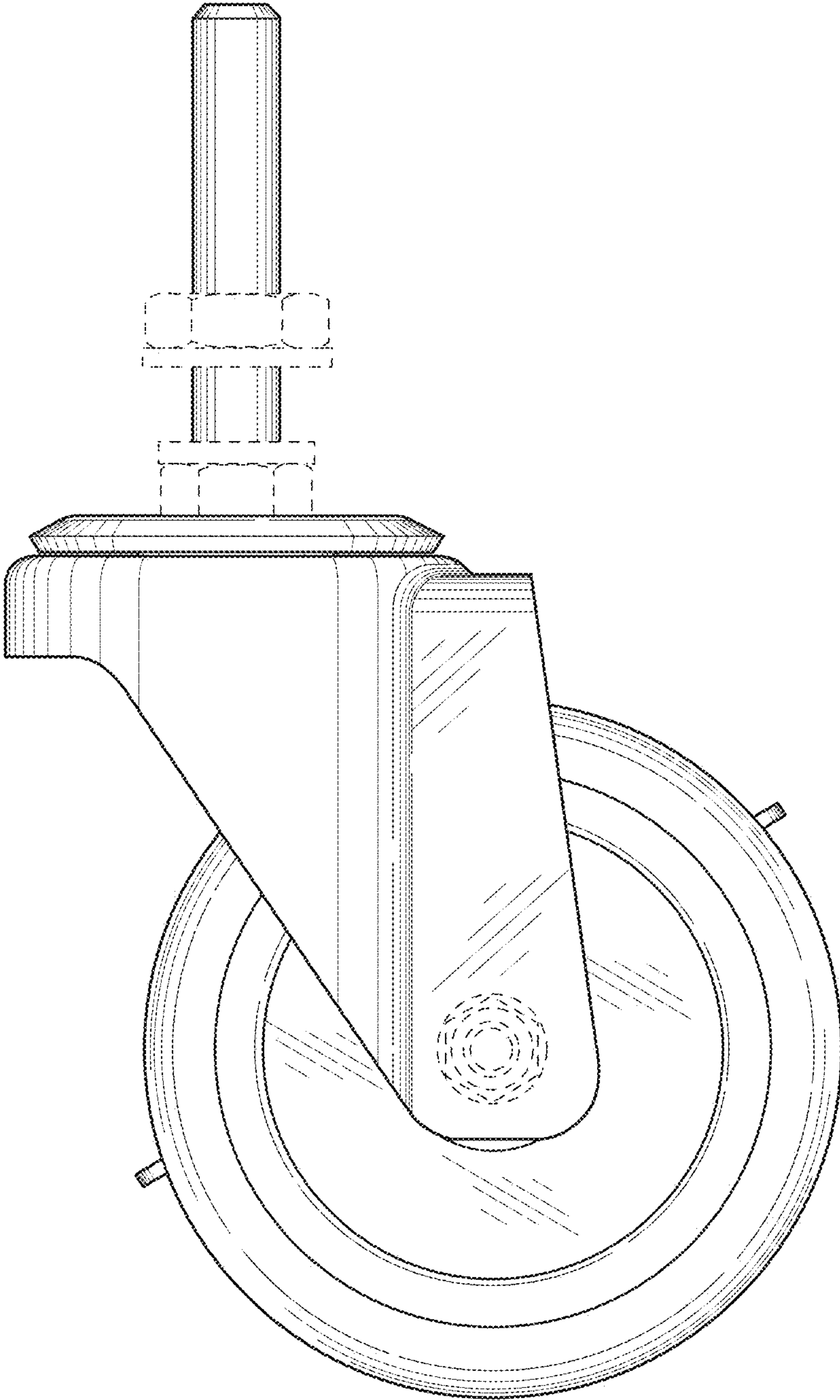


Fig.5

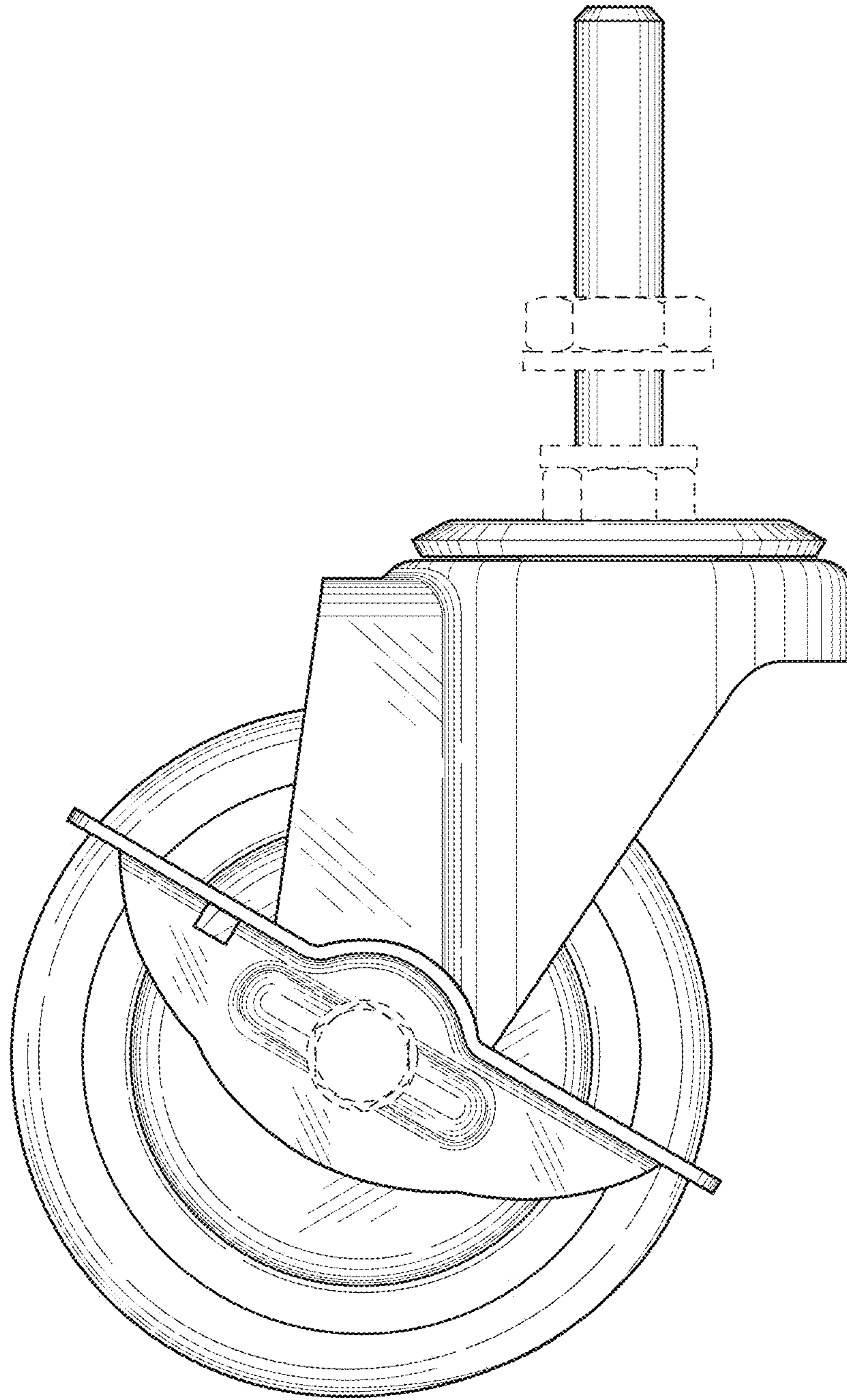


Fig.6

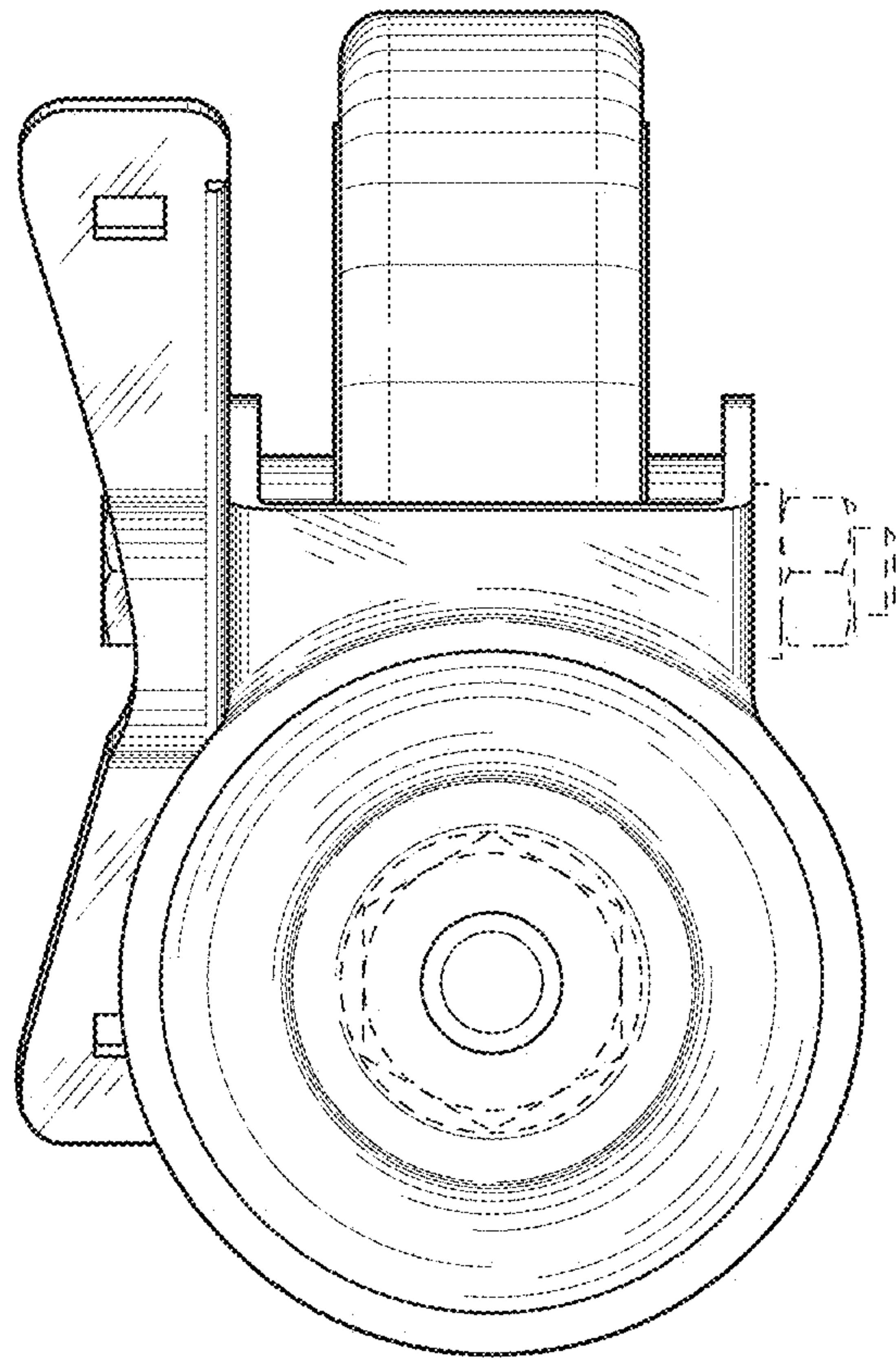


Fig. 7

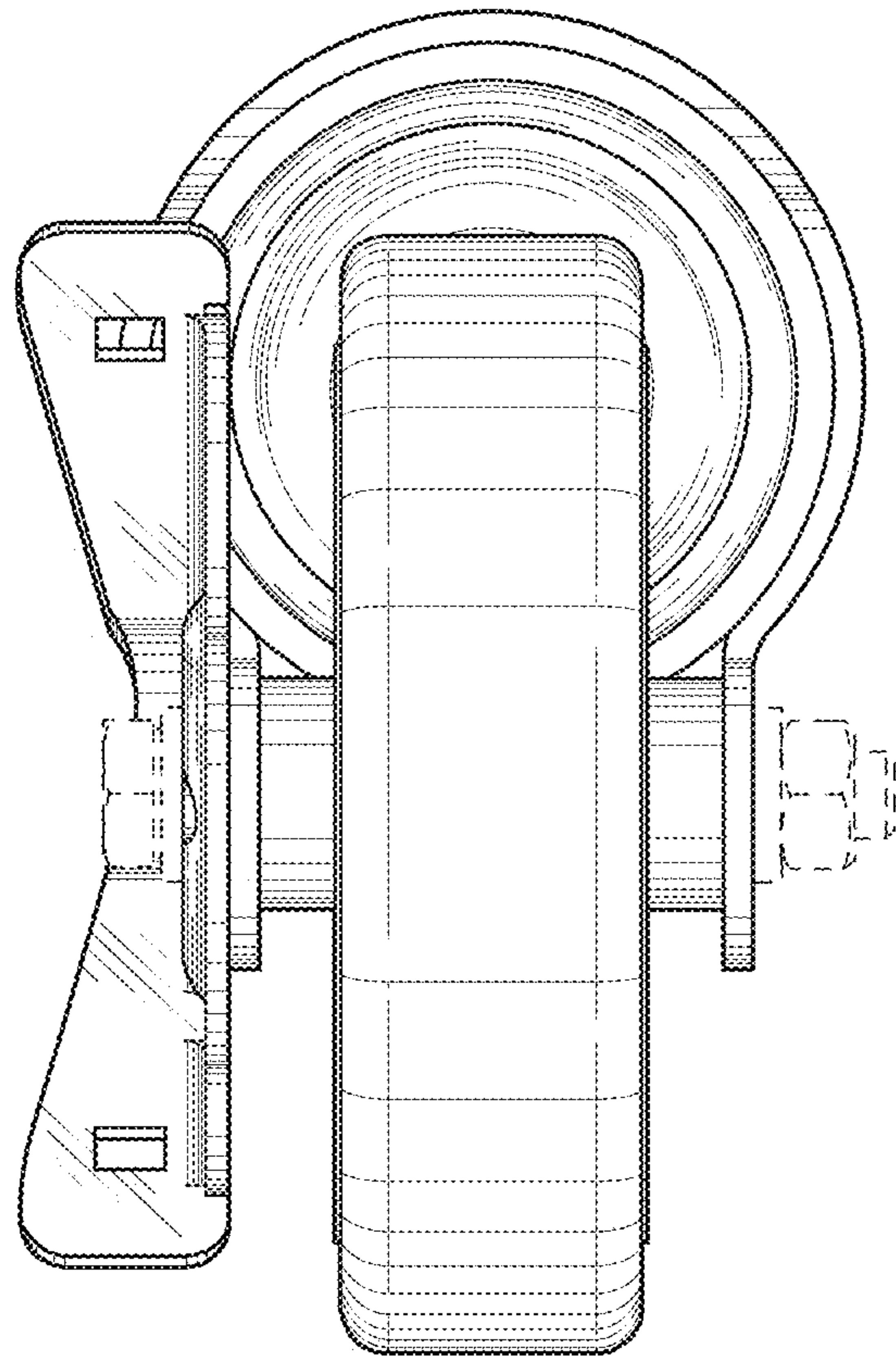


Fig.8