



US00D983646S

(12) **United States Design Patent** (10) **Patent No.:** **US D983,646 S**  
**Pang** (45) **Date of Patent:** **\*\* Apr. 18, 2023**

(54) **MAGNETIC KEY LOCK**  
(71) Applicant: **Jiayong Pang**, Bobai (CN)  
(72) Inventor: **Jiayong Pang**, Bobai (CN)  
(\*\*) Term: **15 Years**

(21) Appl. No.: **29/790,843**  
(22) Filed: **Dec. 17, 2021**  
(51) **LOC (14) Cl.** ..... **08-07**  
(52) **U.S. Cl.**  
USPC ..... **D8/347**; D8/331  
(58) **Field of Classification Search**  
USPC ..... D8/330, 331, 339, 341  
CPC ..... E05C 19/166; E05C 19/165; E05C 9/041;  
E05C 19/168; E05B 17/0037; E05B  
17/0033; E05B 47/0002; E05B 47/004;  
E05B 47/0038; E05B 15/022; E05B  
15/025; E05B 63/20; E05B 47/023; E05B  
53/003; E05B 47/0046; Y10T 70/7904;  
Y10T 70/5004; Y10T 24/32; Y10T  
403/591; Y10T 70/443; Y10T 70/7057  
See application file for complete search history.

(56) **References Cited**  
**U.S. PATENT DOCUMENTS**  
6,550,179 B1 \* 4/2003 Seay ..... A01K 93/00  
43/44.87  
D507,472 S \* 7/2005 Arnold ..... D8/331  
D627,153 S \* 11/2010 Schmidt ..... D3/207  
D780,556 S \* 3/2017 Chapman ..... D8/339  
D837,030 S 1/2019 Cavanna et al.  
D837,629 S 1/2019 Cavanna et al.  
D837,630 S 1/2019 Cavanna et al.  
D925,336 S \* 7/2021 Zhang ..... D8/331  
D937,658 S \* 12/2021 Wang ..... D8/331  
2012/0131967 A1 \* 5/2012 Sanchez Giraldez .....  
E05B 47/0038  
70/276

2012/0210757 A1 \* 8/2012 Gentile ..... E05B 67/365  
70/276  
2012/0291501 A1 \* 11/2012 Gentile ..... E05B 67/365  
70/276  
2020/0332577 A1 \* 10/2020 Shih ..... E05B 47/004  
(Continued)

**FOREIGN PATENT DOCUMENTS**

CN 3206794 \* 2/2001  
CN 306260349 \* 8/2020  
(Continued)

**OTHER PUBLICATIONS**

XCHTX, Anti-Theft Display Security Slat Wall Hook, Date first available Apr. 10, 2022, [online]retrieved Dec. 2, 2022, available from <https://www.amazon.com/DP/B09XL7K85T> (Year: 2022).\*  
(Continued)

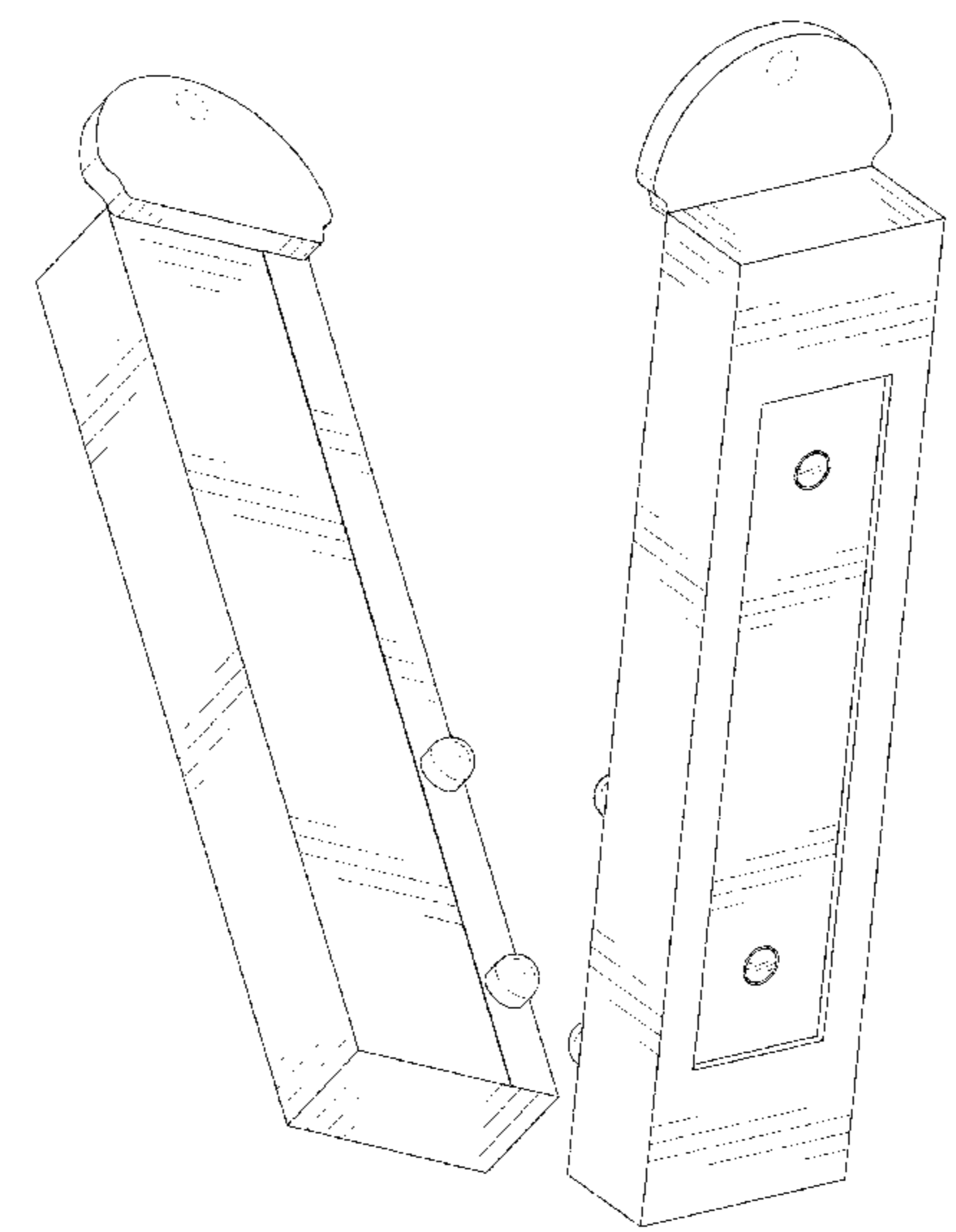
*Primary Examiner* — Keli L Hill  
*Assistant Examiner* — Sara S Sahneh  
(74) *Attorney, Agent, or Firm* — Rumit Ranjit Kanakia

(57) **CLAIM**  
The ornamental design for a magnetic key lock, as shown and described.

**DESCRIPTION**

FIG. 1 is a first perspective view of a magnetic key lock showing my new design;  
FIG. 2 is a second perspective view thereof;  
FIG. 3 is a front view thereof;  
FIG. 4 is a back view thereof;  
FIG. 5 is a right side view thereof;  
FIG. 6 is a left side view thereof;  
FIG. 7 is a top view thereof; and,  
FIG. 8 is a bottom view thereof.  
The broken lines shown in the drawings depict portions of the magnetic key lock in which the design is embodied that form no part of the claimed design.

**1 Claim, 8 Drawing Sheets**



(56)

**References Cited**

U.S. PATENT DOCUMENTS

2021/0222469 A1\* 7/2021 Shih ..... E05C 19/166  
2022/0003573 A1\* 1/2022 Ishikawara ..... G01D 5/145  
2022/0101706 A1\* 3/2022 Abueshsheikh ... G08B 13/2494

FOREIGN PATENT DOCUMENTS

CN 306743570 \* 11/2020  
CN 306576416 \* 2/2021  
CN 306989751 \* 7/2021  
CN 307415682 \* 3/2022  
GB 6091650 \* 6/2020

OTHER PUBLICATIONS

CAMNWAMN,Display Slat Wall Safety Protection Hanger Tool,Date first available Oct. 9, 2022, [online]retrieved Dec. 2, 2022, available from <https://www.amazon.com/DP/B0BHQD91LW> (Year: 2022).\*

\* cited by examiner

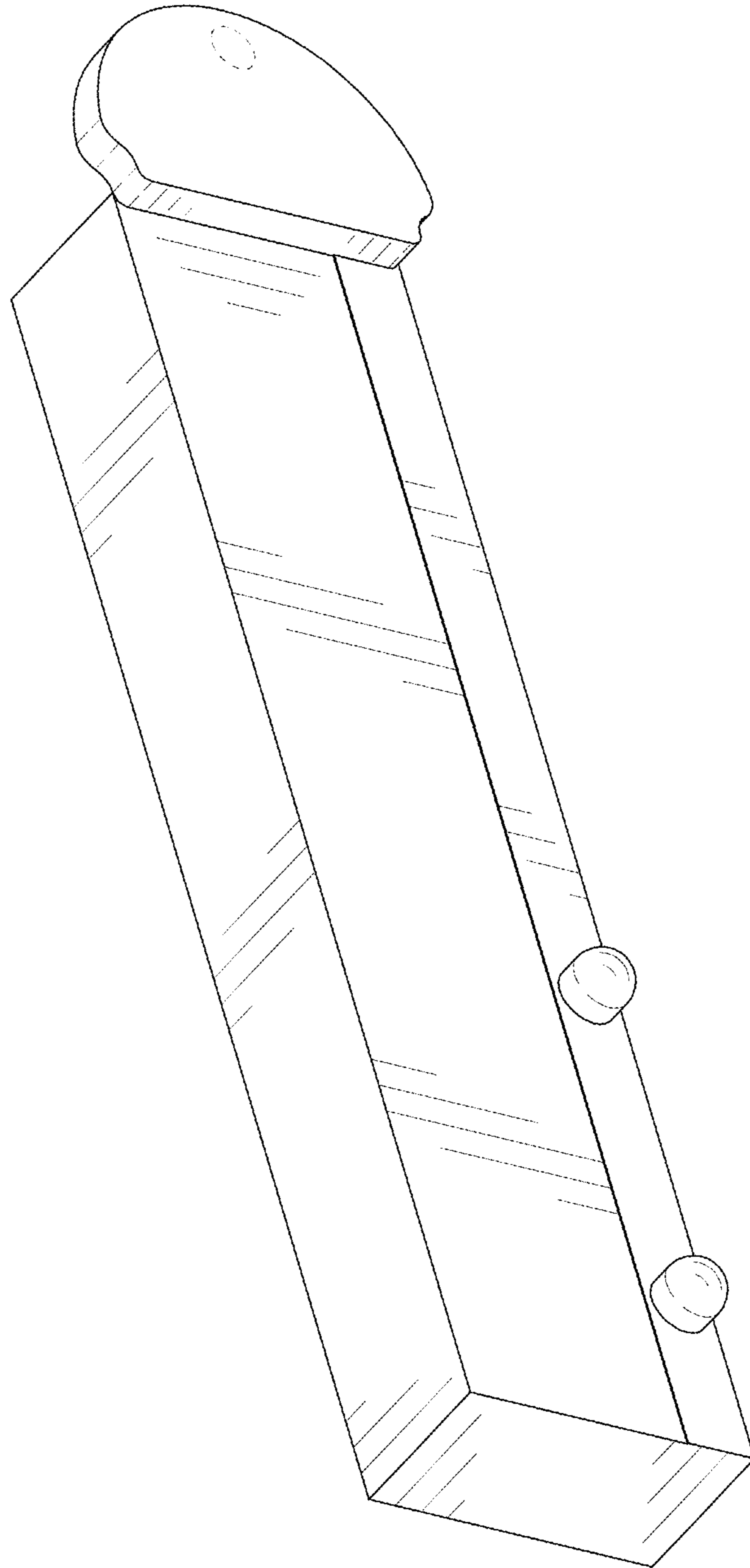


FIG. 1

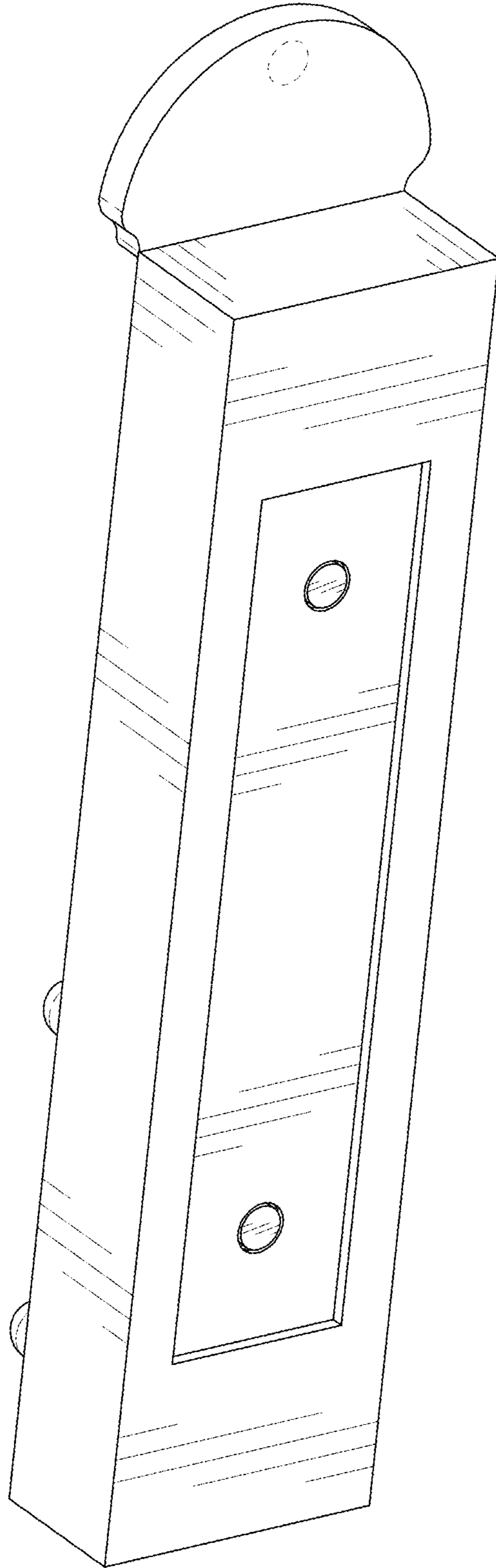


FIG. 2

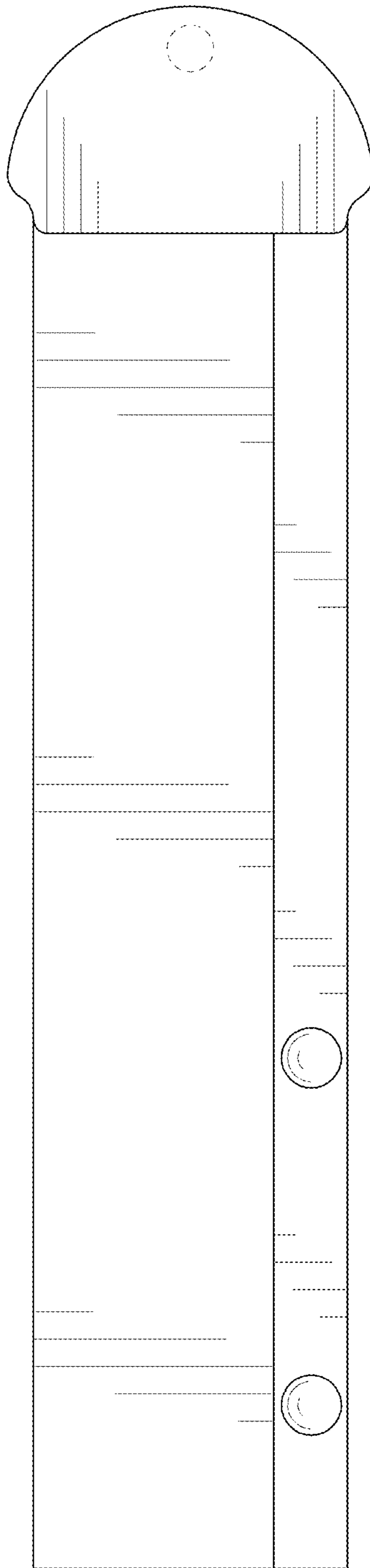


FIG. 3

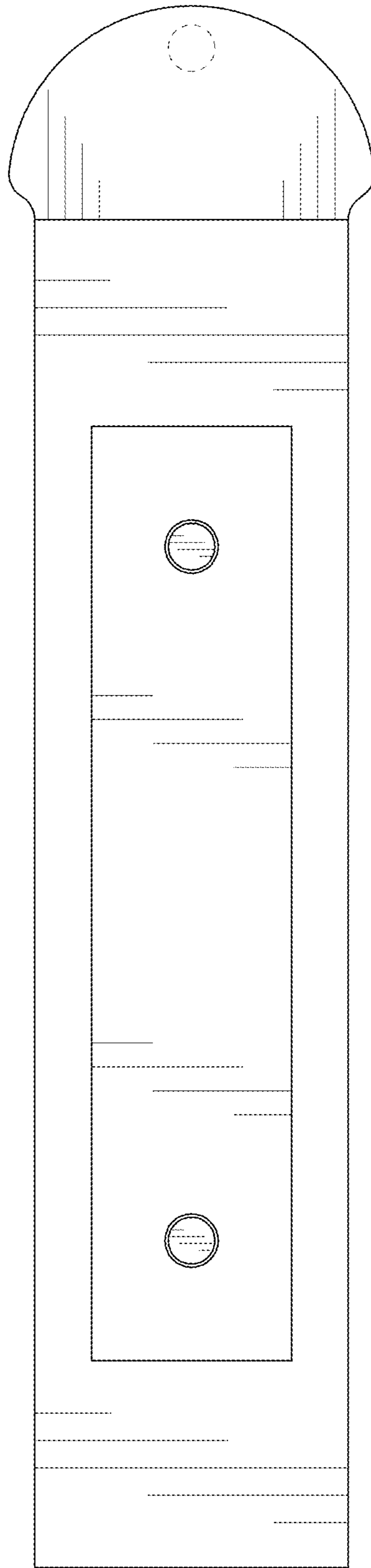


FIG. 4

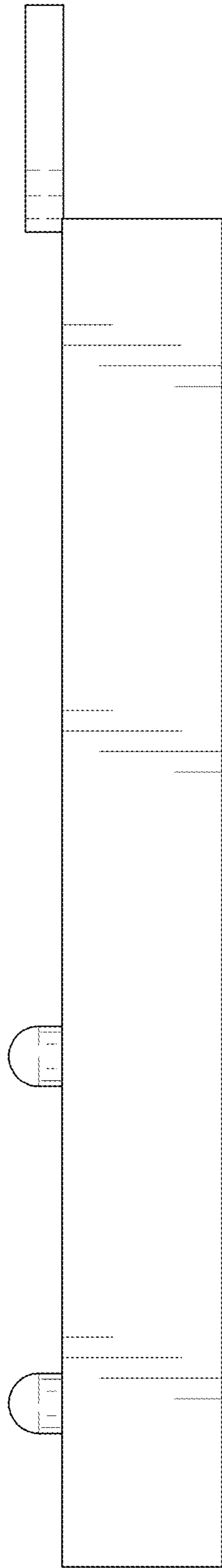


FIG. 5

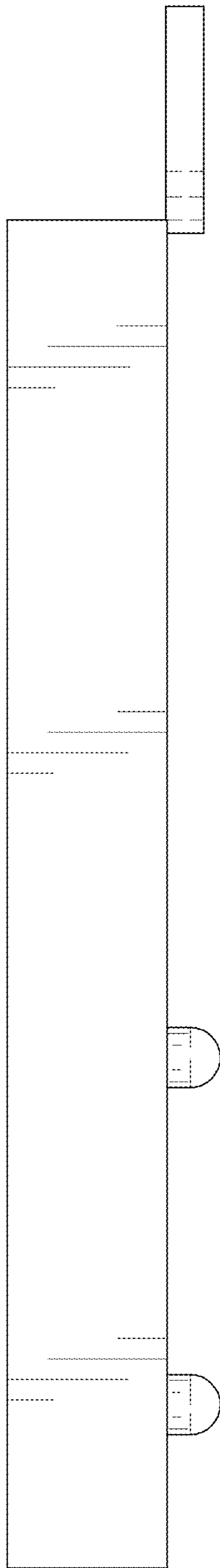


FIG. 6



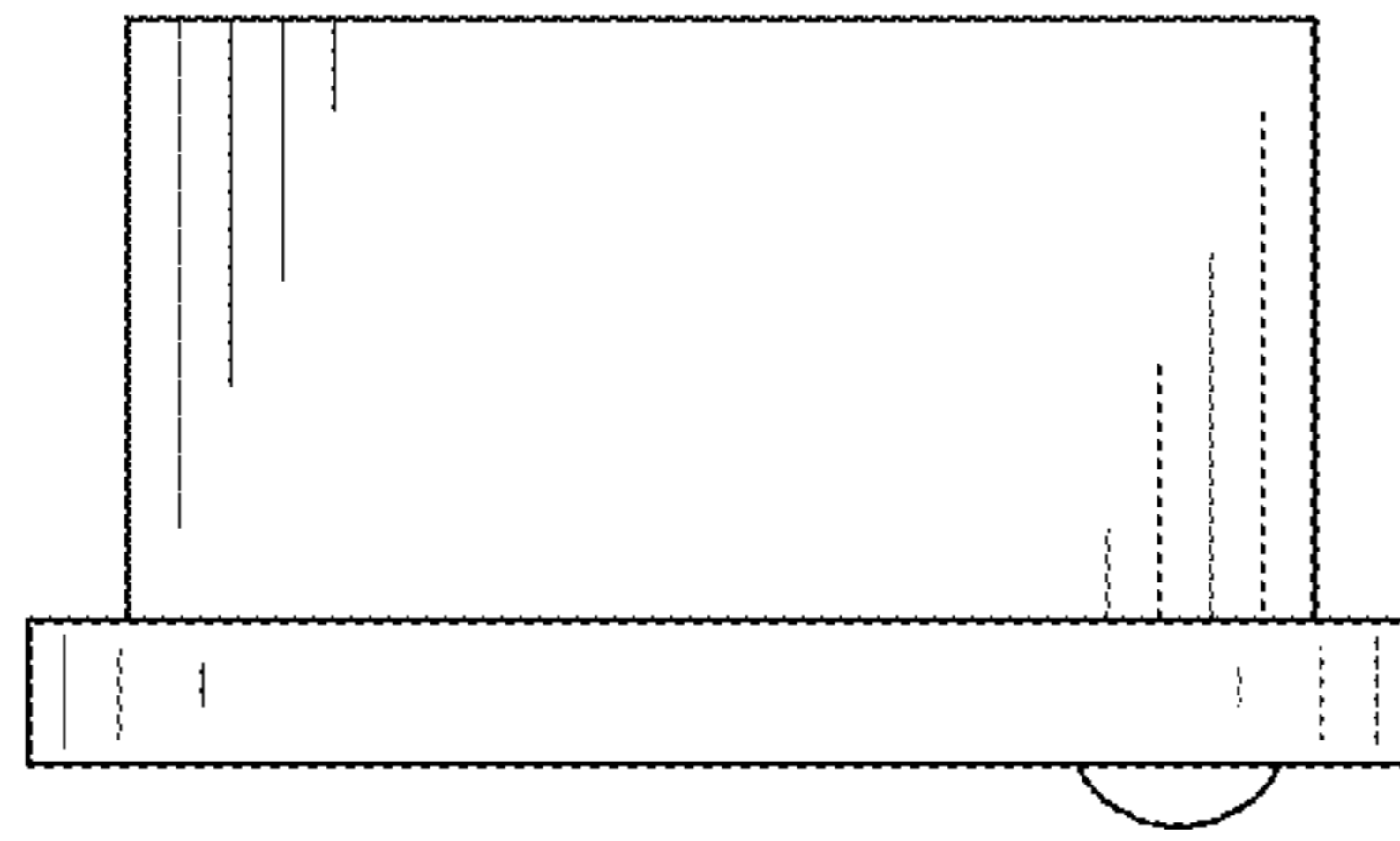


FIG. 7

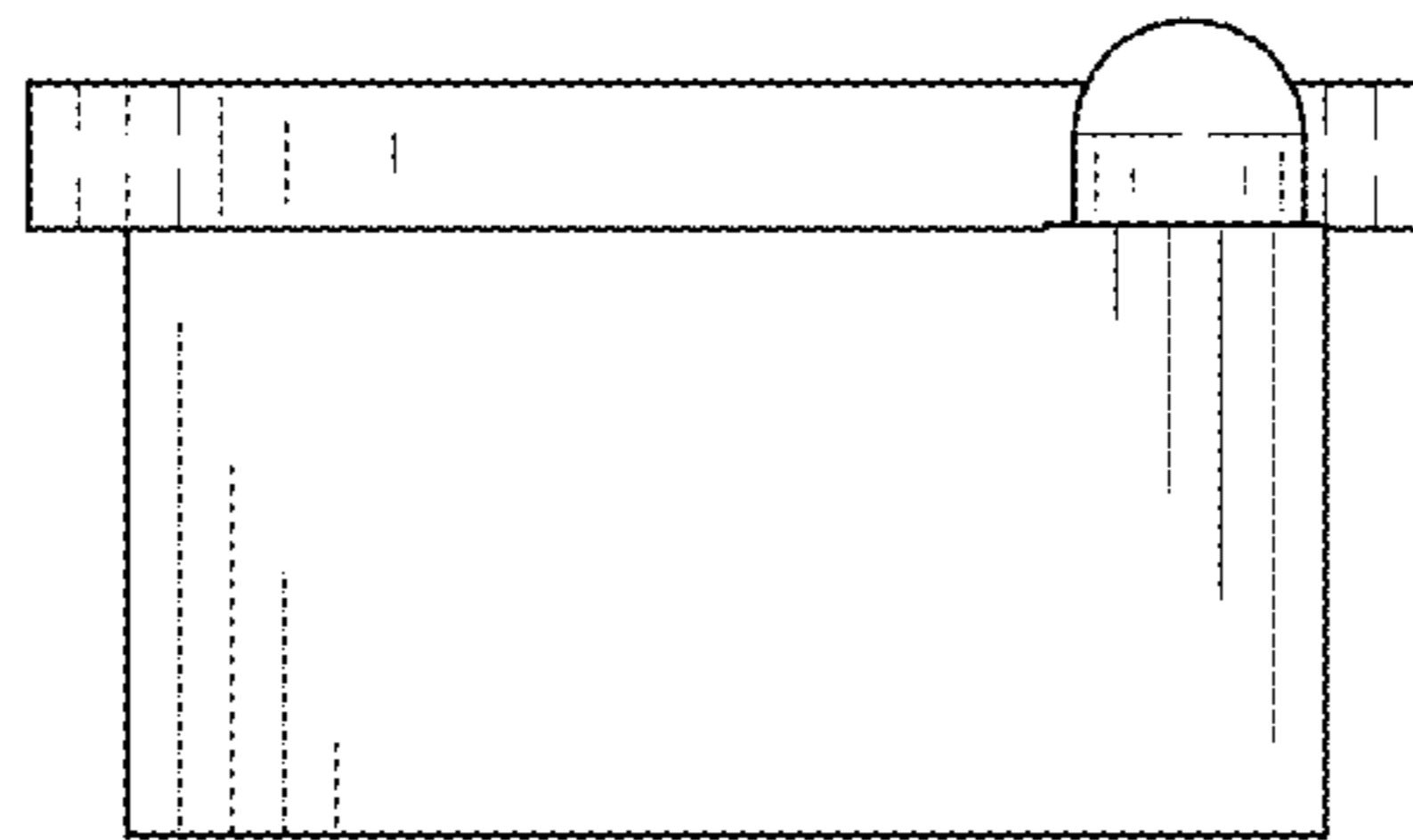


FIG. 8