



US00D983645S

(12) **United States Design Patent** (10) **Patent No.:** **US D983,645 S**
Ng et al. (45) **Date of Patent:** **** Apr. 18, 2023**

(54) **PADLOCK**
(71) Applicant: **IGLOOCOMPANY PTE. LTD.**,
Singapore (SG)
(72) Inventors: **Matthew Mantik Ng**, Singapore (SG);
Chee Kin Pang, Singapore (SG); **Joe**
Liqiang Khoo, Singapore (SG);
Shugen Zhu, Singapore (SG)

D484,776 S * 1/2004 Ruan D8/334
D542,625 S * 5/2007 Blomstrom D8/334
D587,983 S * 3/2009 Zorc D8/343
D588,437 S * 3/2009 Zorc D8/343
D615,842 S * 5/2010 Freeman D8/333
D660,130 S * 5/2012 Plato D8/343
8,276,751 B2 * 10/2012 Zorc B65D 73/0014
206/349
D688,114 S * 8/2013 Stevens D8/343
D834,918 S * 12/2018 Zheng D8/334
D891,225 S * 7/2020 Ronge D8/334
D911,147 S * 2/2021 Li D8/330
D962,037 S * 8/2022 O'Rourke D8/334

(**) Term: **15 Years**

(21) Appl. No.: **35/513,951**

OTHER PUBLICATIONS

(22) Filed: **Feb. 11, 2022**

“CCYX Key Lock Box”, May 6, 2019, Amazon.com, site visited
Jan. 24, 2023: <https://www.amazon.com/dp/B07RJSYK1J> (Year:
2019).*

(80) **Hague Agreement Data**

Int. Filing Date: **Feb. 11, 2022**
Int. Reg. No.: **DM/219710**
Int. Reg. Date: **Feb. 11, 2022**
Int. Reg. Pub. Date: **Apr. 1, 2022**

(Continued)

Primary Examiner — Jack Reickel
Assistant Examiner — Michael A Kervin

(51) **LOC (14) Cl.** **08-07**

(57) **CLAIM**

(52) **U.S. Cl.**
USPC **D8/334**

The ornamental design for a padlock, as shown and
described.

(58) **Field of Classification Search**
USPC D8/330–331, 333–334, 343–344
CPC E05B 67/00; E05B 67/063; E05B 67/08;
E05B 67/22; Y10T 70/413; Y10T 70/415
See application file for complete search history.

DESCRIPTION

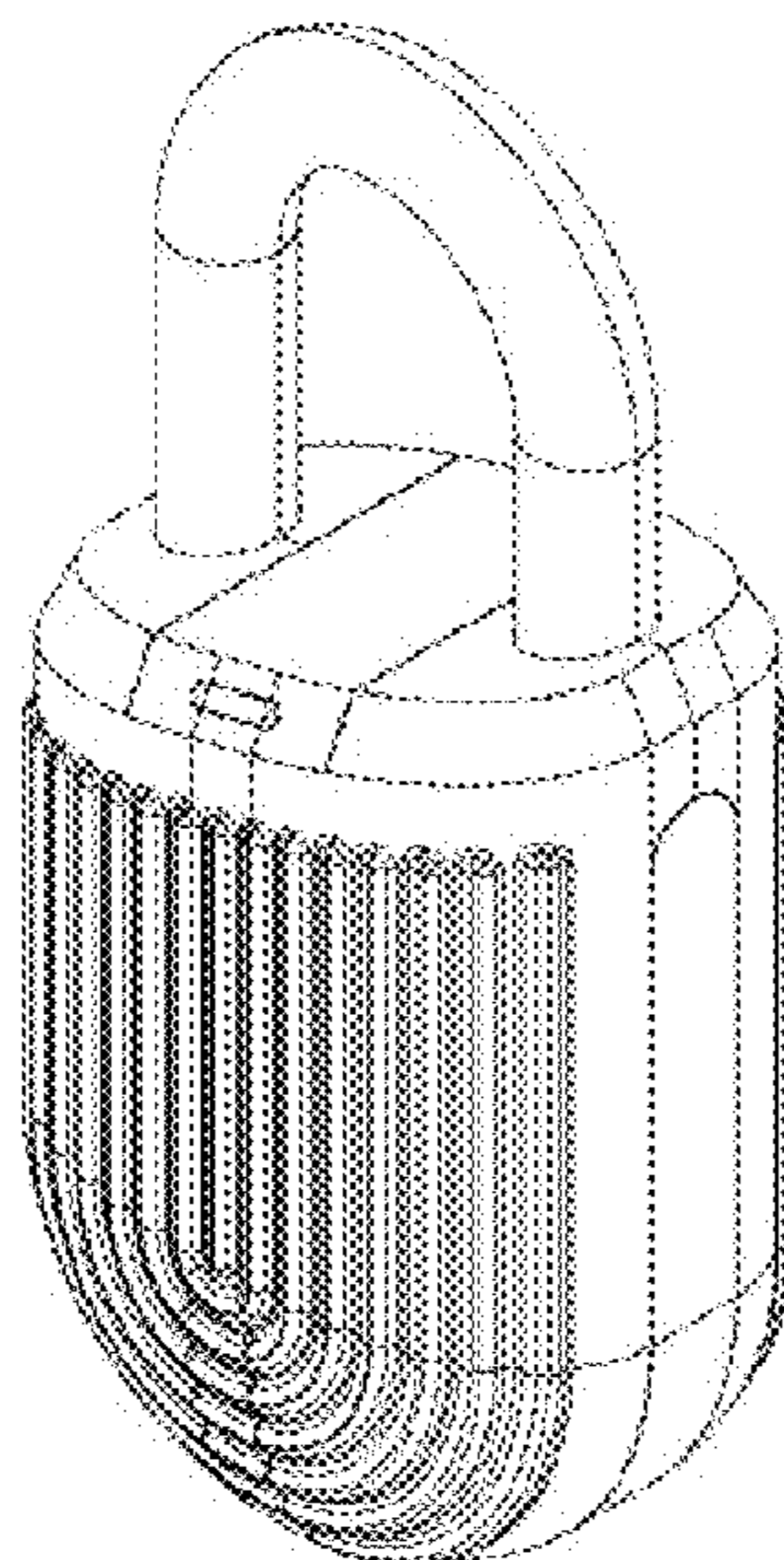
(56) **References Cited**

U.S. PATENT DOCUMENTS

D92,117 S * 4/1934 Stone D8/334
D117,838 S * 11/1939 Wise D8/334
5,156,028 A * 10/1992 Jiang E05B 67/006
70/30
D386,386 S * 11/1997 Hsu D8/333
D416,780 S * 11/1999 Schultz D8/343
D423,906 S * 5/2000 Fiegenger D8/334
D458,530 S * 6/2002 Grosz D8/334

1. Padlock
1.1 : Perspective
1.2 : Front
1.3 : Back
1.4 : Top
1.5 : Bottom
1.6 : Perspective
1.7 : Left
1.8 : Right
1.9 : Back view (in open state)
1.10 : Front view (in open state)
The design is for a padlock.

1 Claim, 10 Drawing Sheets



(56)

References Cited

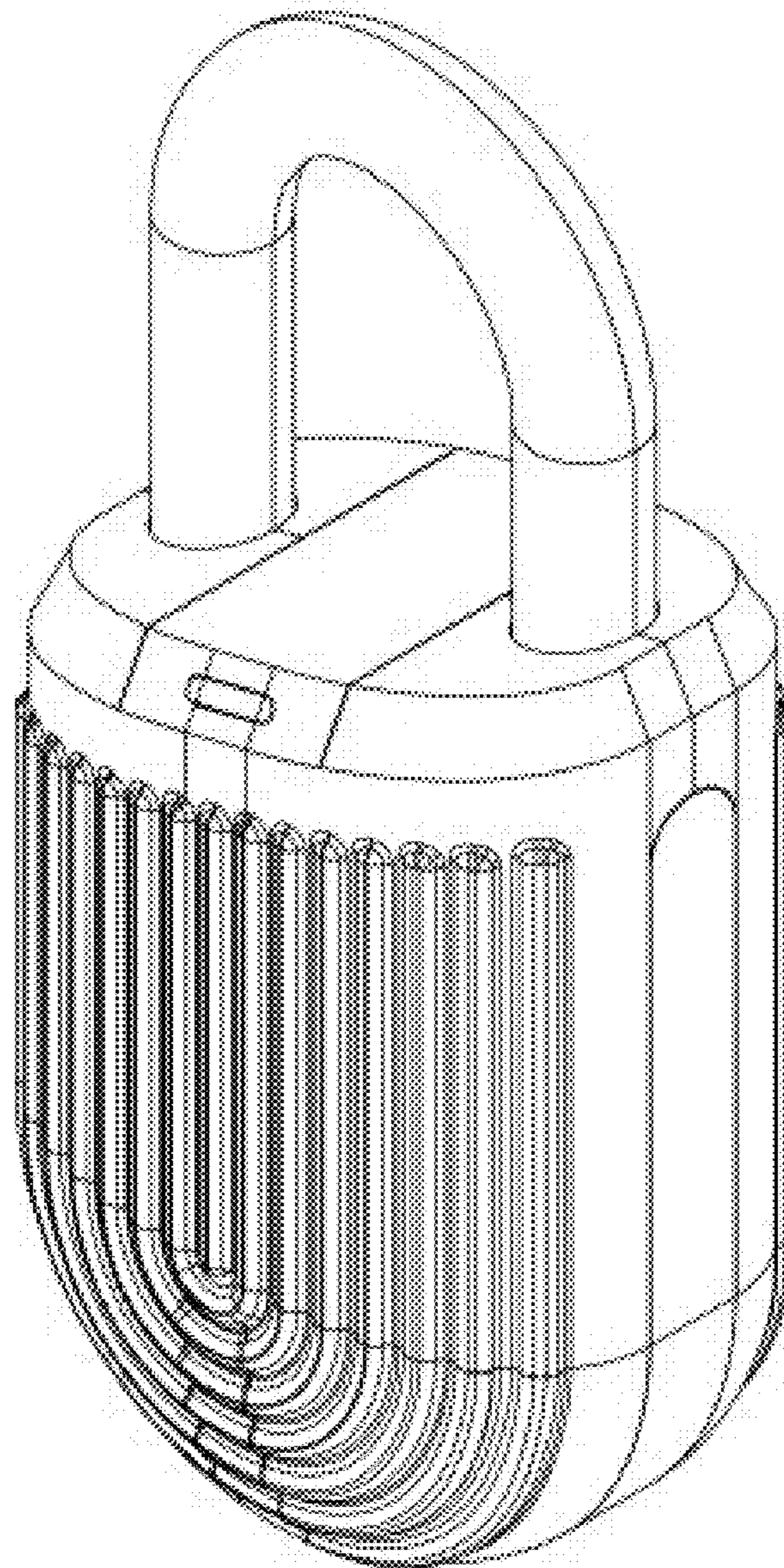
OTHER PUBLICATIONS

“Igloohome Smart Padlock with Silicone Cover Kit”, May 12, 2019, Amazon.com, site visited Jan. 24, 2023: <https://www.amazon.com/Igloohome-Smart-Padlock-Silicone-Cover/dp/B07PDK5HNC> (Year: 2019).*

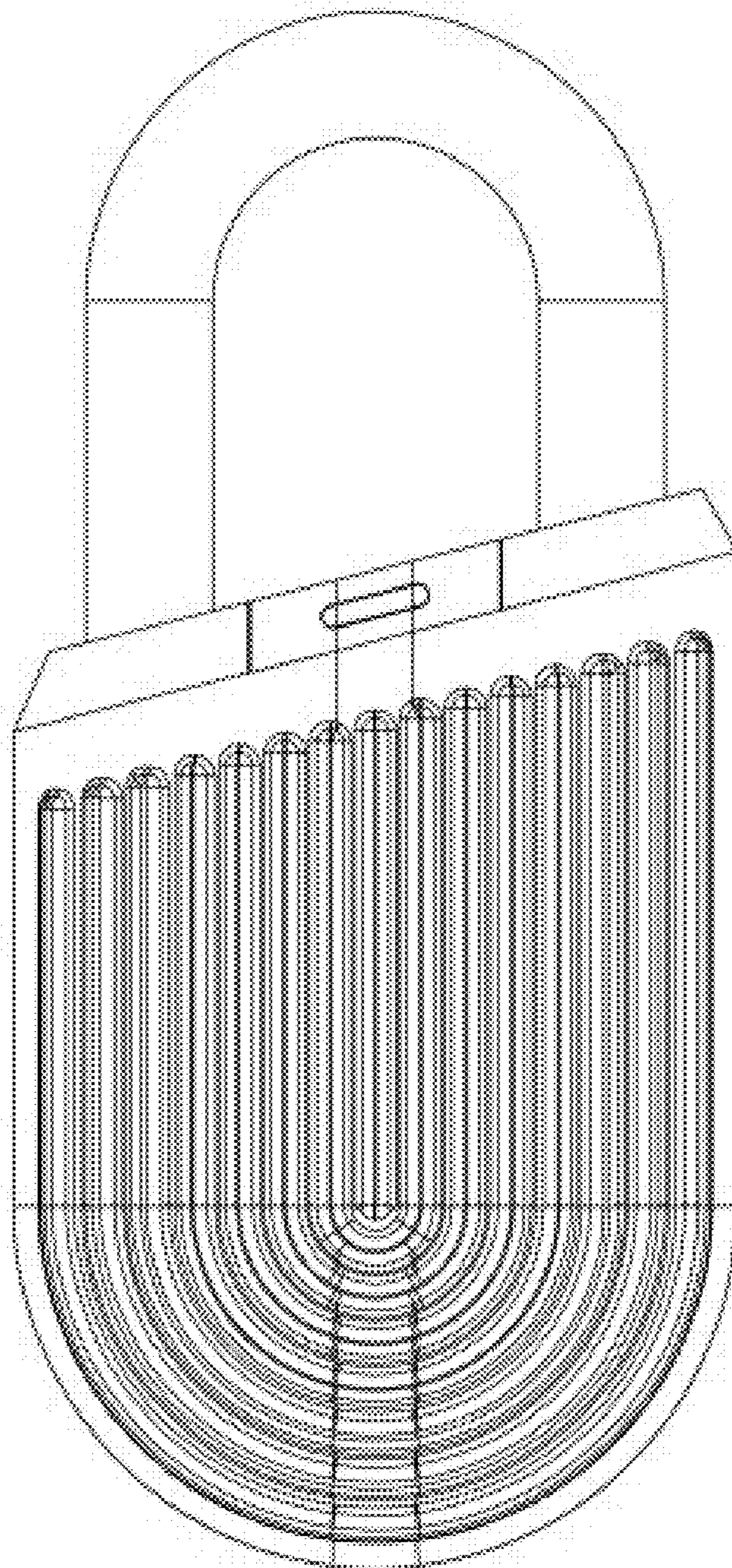
“Igloocompany to show off 3 new smart padlocks at CES”, Jan. 2, 2023, TechHive.com, site visited Jan. 24, 2023: <https://www.techhive.com/article/1444301/igloocompany-to-show-off-3-new-smart-padlocks-at-ces.html> (Year: 2023).*

* cited by examiner

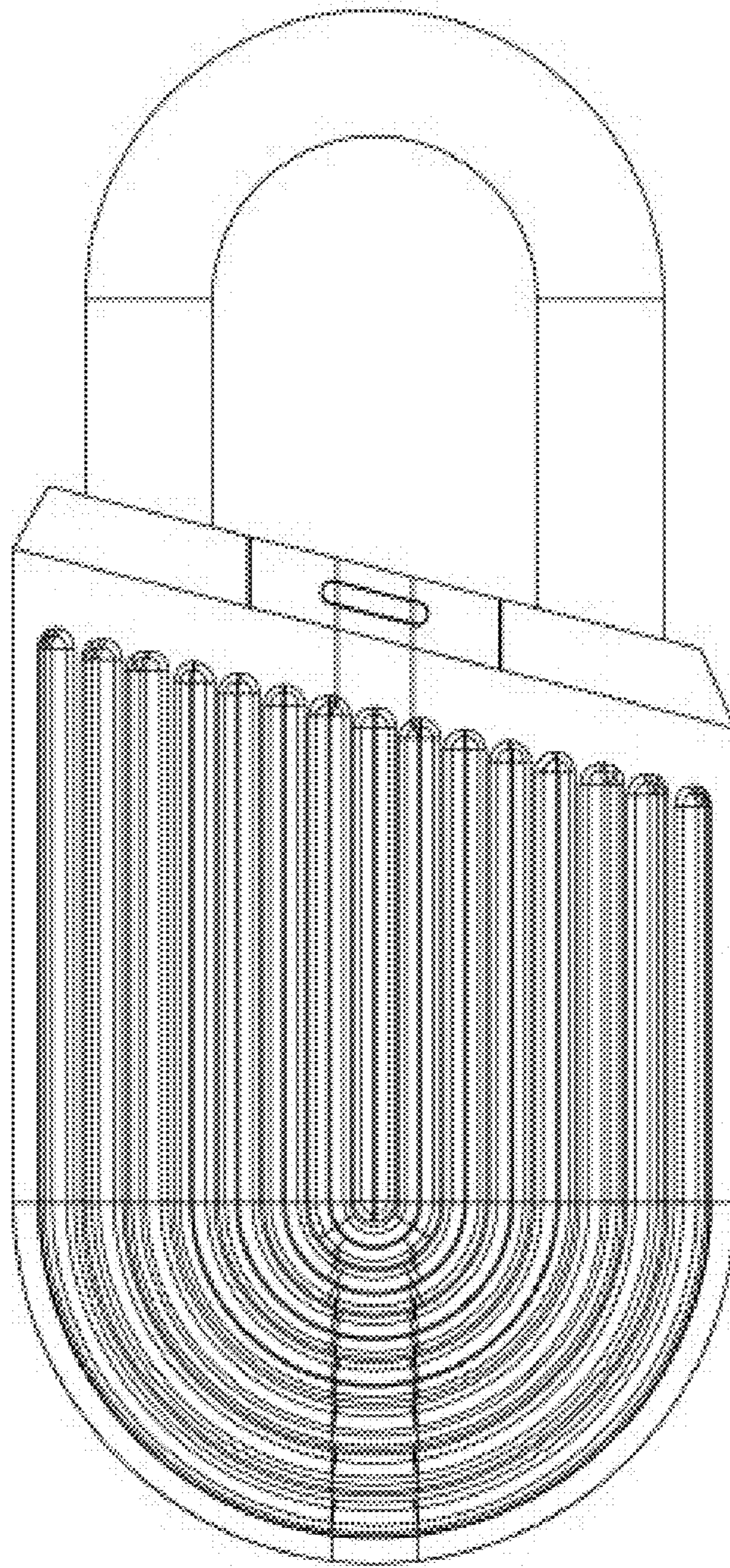
1.1



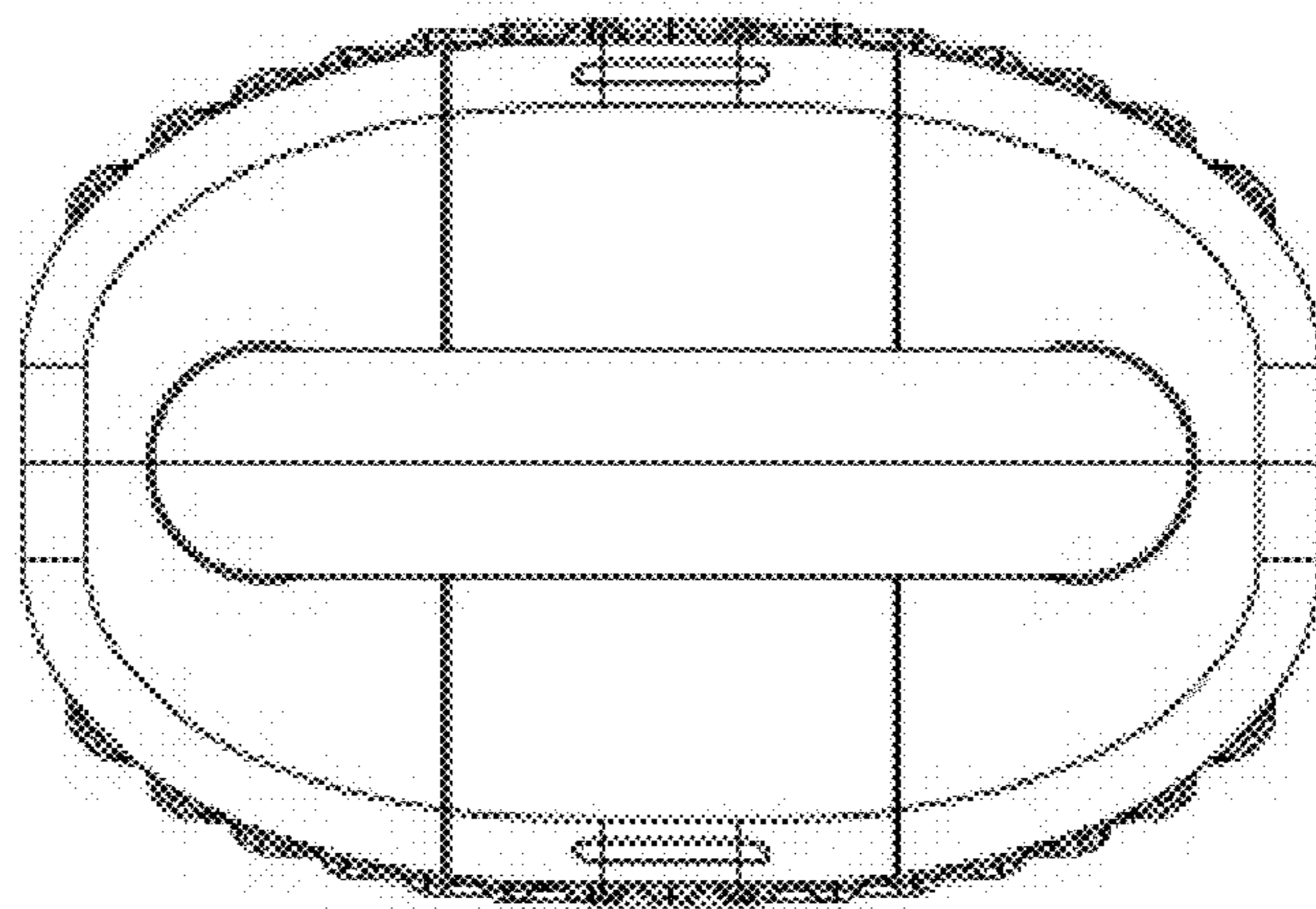
1.2



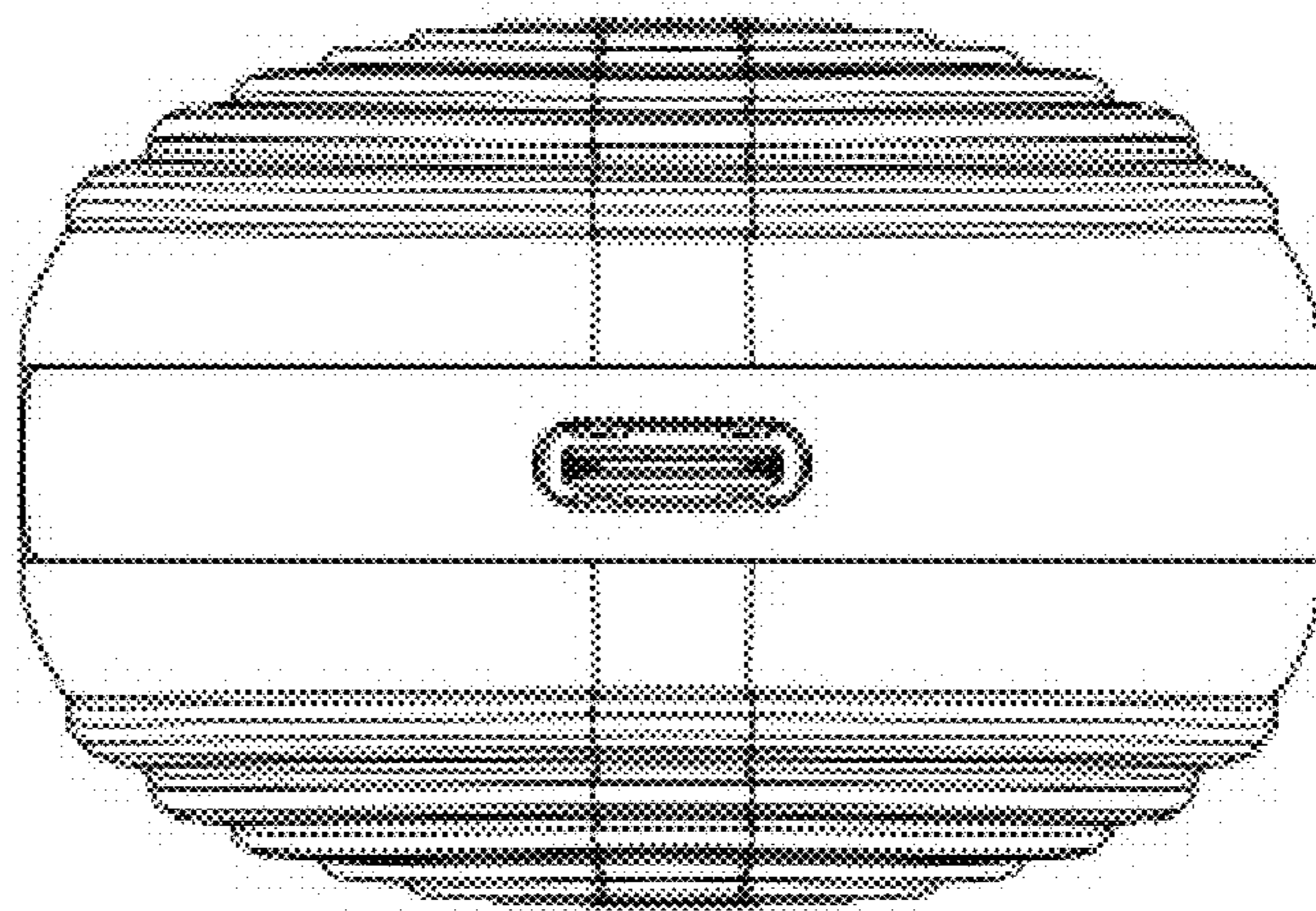
1.3



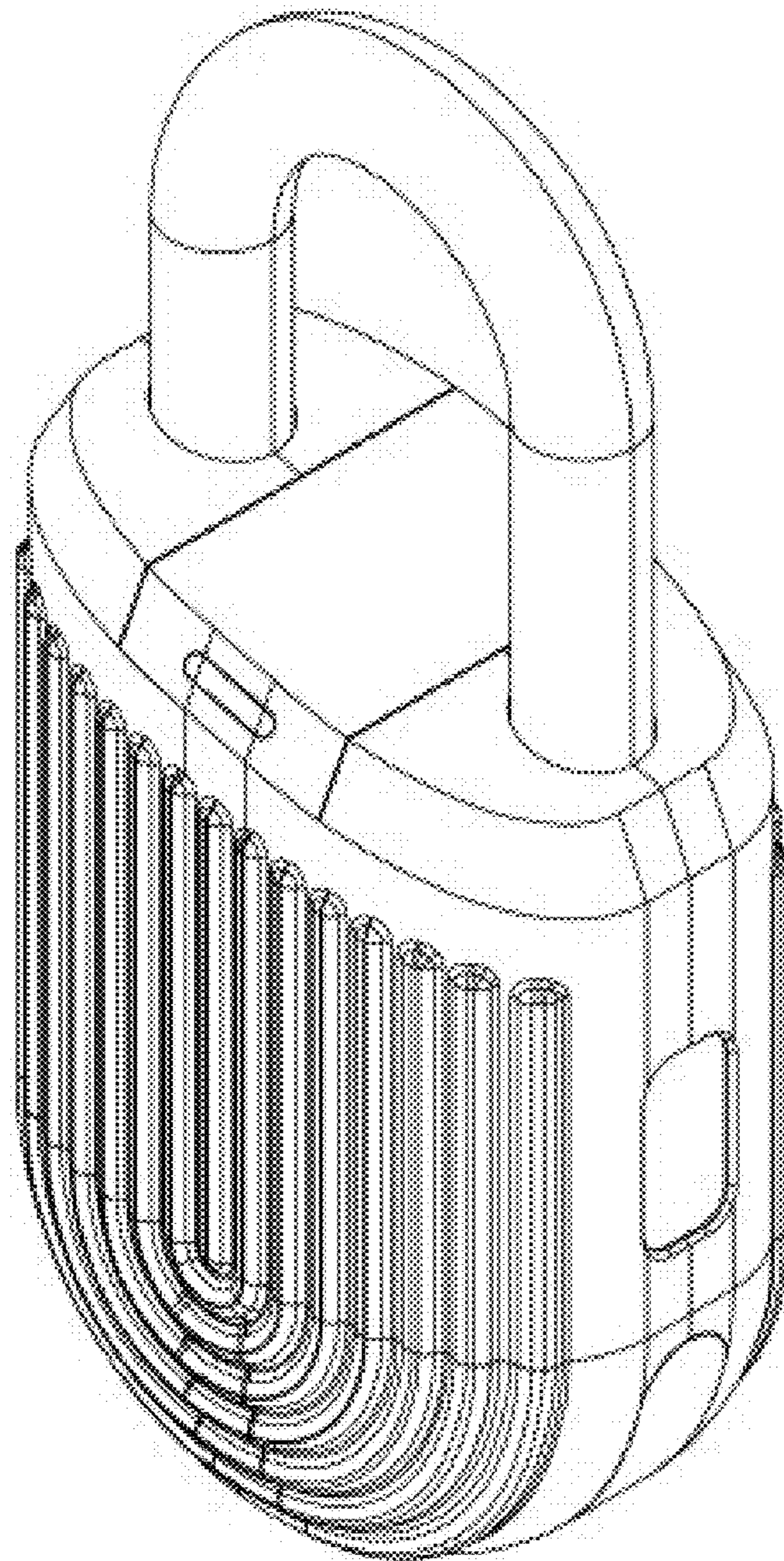
1.4



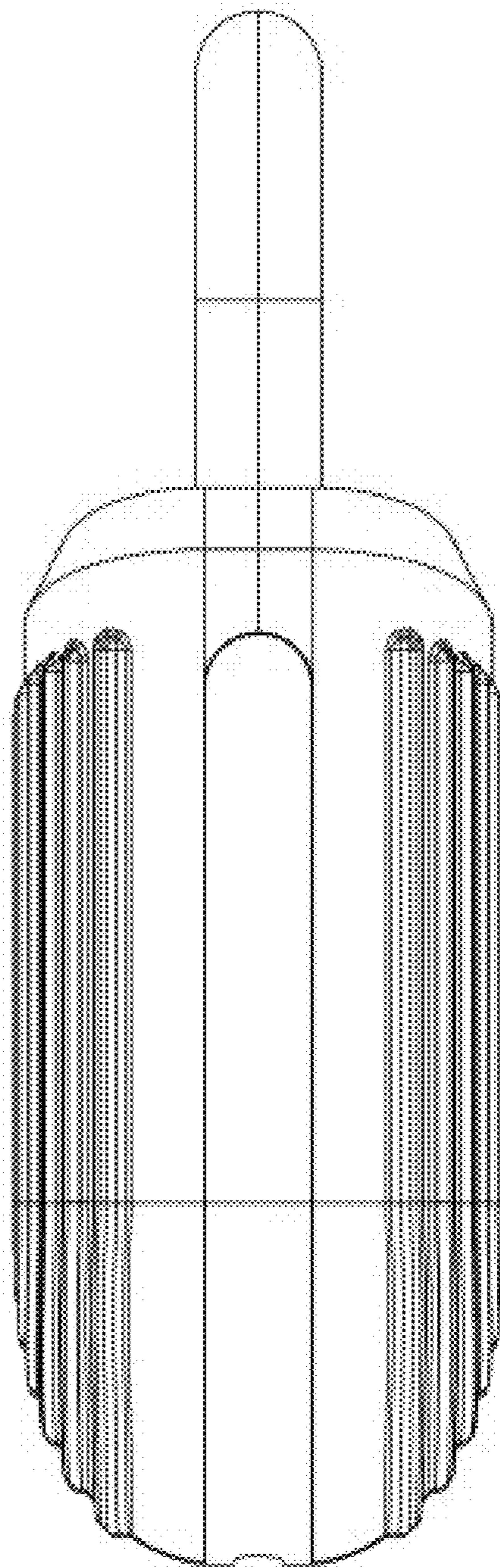
1.5



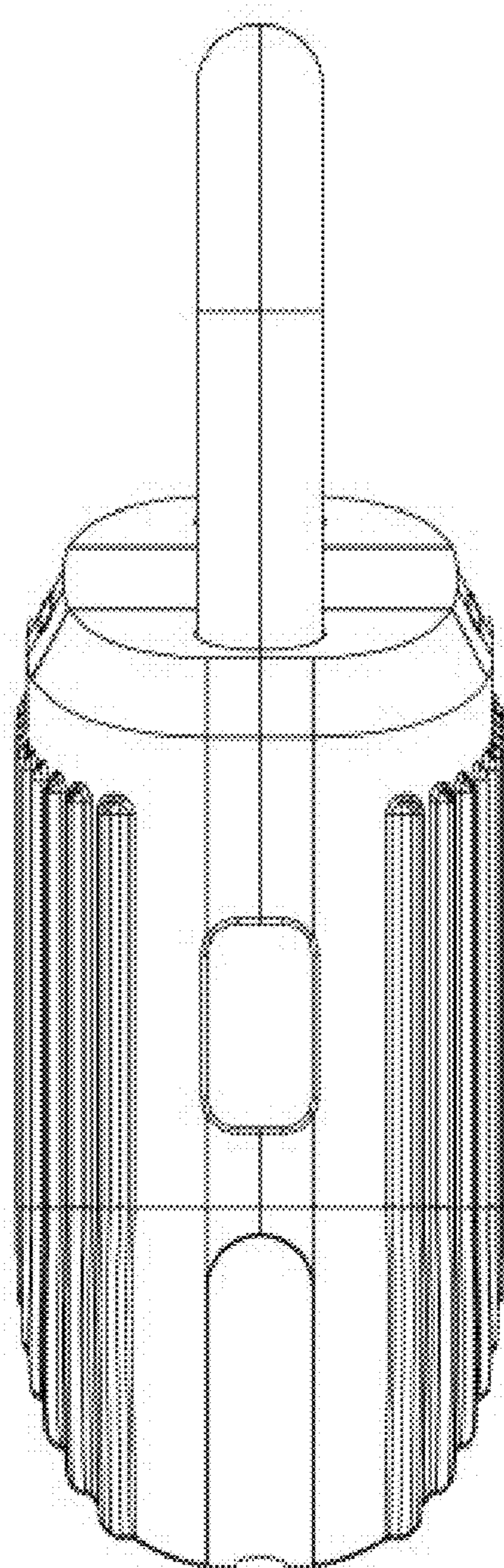
1.6



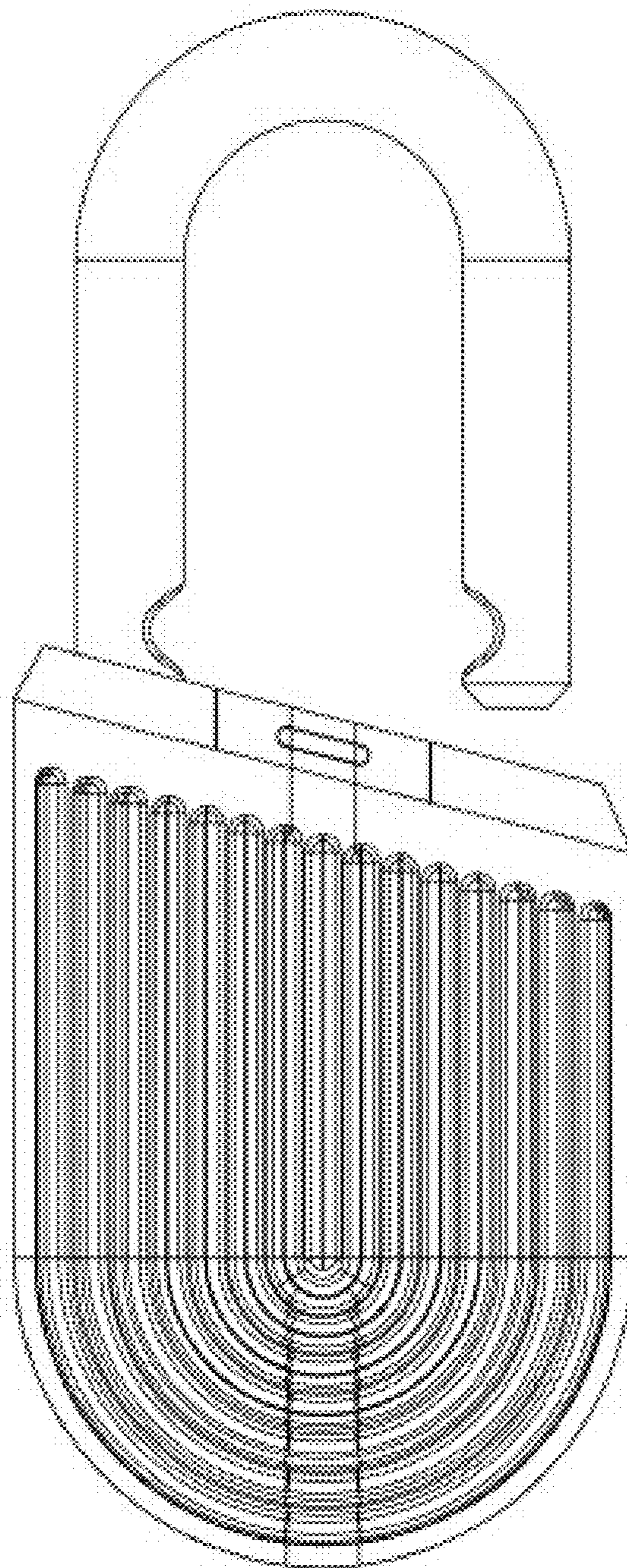
1.7



1.8



1.9



1.10

