



US00D983644S

(12) **United States Design Patent** (10) **Patent No.:** **US D983,644 S**
Ng et al. (45) **Date of Patent:** **** Apr. 18, 2023**

(54) **PADLOCK**

(71) Applicant: **IGLOOCOMPANY PTE. LTD.**,
Singapore (SG)

(72) Inventors: **Matthew Mantik Ng**, Singapore (SG);
Chee Kin Pang, Singapore (SG); **Joe**
Liqiang Khoo, Singapore (SG);
Shugen Zhu, Singapore (SG)

(**) Term: **15 Years**

(21) Appl. No.: **35/513,751**

(22) Filed: **Feb. 18, 2022**

(80) **Hague Agreement Data**

Int. Filing Date: **Feb. 18, 2022**
Int. Reg. No.: **DM/219139**
Int. Reg. Date: **Feb. 18, 2022**
Int. Reg. Pub. Date: **Mar. 4, 2022**

(51) **LOC (14) Cl.** **08-07**

(52) **U.S. Cl.**
USPC **D8/334**

(58) **Field of Classification Search**
USPC D8/330-331, 333-334, 343-344
CPC E05B 67/00; E05B 67/063; E05B 67/08;
E05B 67/22; Y10T 70/413; Y10T 70/415
See application file for complete search history.

(56) **References Cited**

U.S. PATENT DOCUMENTS

D429,620 S * 8/2000 Ho D8/333
8,276,751 B2 * 10/2012 Zorc B65D 73/0014
206/349
D691,871 S * 10/2013 Wang D8/343
D834,918 S * 12/2018 Zheng D8/334
D864,695 S * 10/2019 Lai D8/334
D891,225 S * 7/2020 Ronge D8/334
D900,589 S * 11/2020 Fisher D8/333
D914,480 S * 3/2021 Tan D8/333

D932,871 S * 10/2021 Capps D8/334
D962,037 S * 8/2022 O'Rourke D8/334
D972,392 S * 12/2022 Luo D8/343
2021/0324662 A1 * 10/2021 Ng E05B 67/063

OTHER PUBLICATIONS

“Tapplock lite Fingerprint Bluetooth Biometric Keyless Smart Padlock”, Feb. 1, 2019, Amazon.com, site visited Jan. 24, 2023: <https://www.amazon.com/Tapplock-lite-Fingerprint-Bluetooth-Biometric/dp/B07KX63PDN> (Year: 2019).
“CCYX Key Lock Box”, May 6, 2019, Amazon.com, site visited Jan. 24, 2023: <https://www.amazon.com/dp/B07RJSYK1J> (Year: 2019).
“Igloocompany to show off 3 new smart padlocks at CES”, Jan. 2, 2023, TechHive.com, site visited Jan. 24, 2023: <https://www.techhive.com/article/1444301/igloocompany-to-show-off-3-new-smart-padlocks-at-ces.html> (Year: 2023).*

* cited by examiner

Primary Examiner — Jack Reickel
Assistant Examiner — Michael A Kervin

(57) **CLAIM**

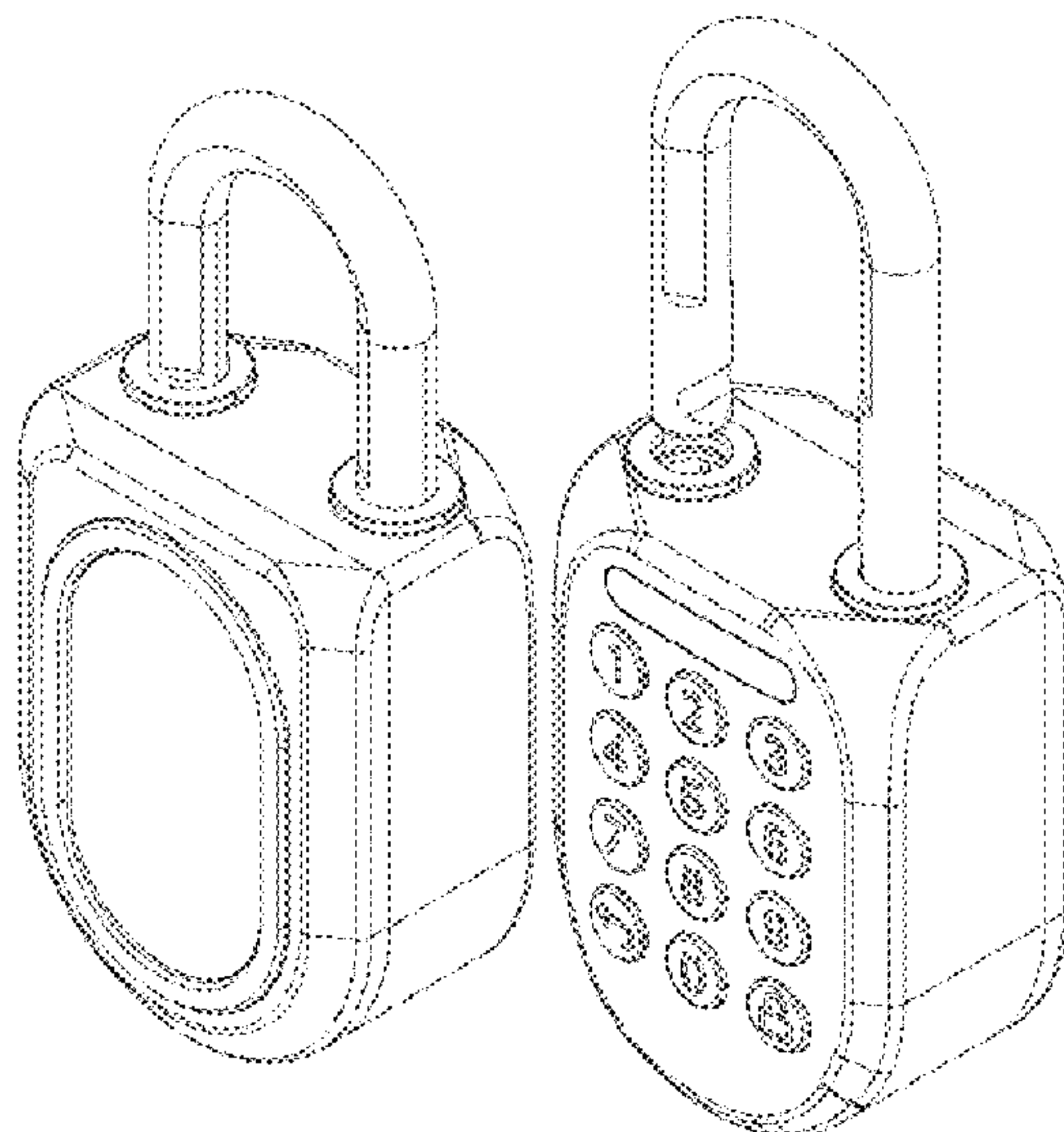
The ornamental design for a padlock, as shown and described.

DESCRIPTION

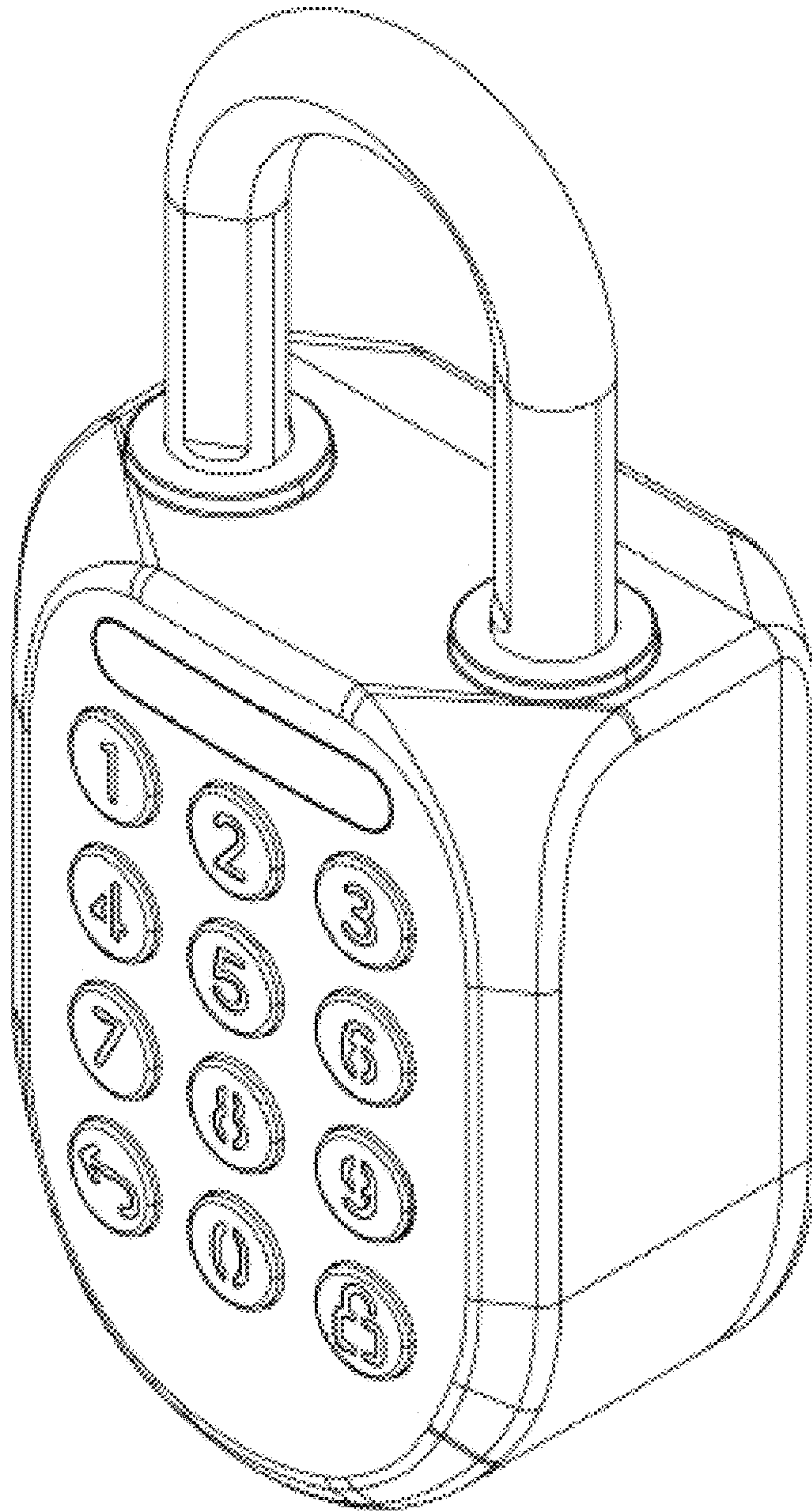
- 1. Padlock
- 1.1 : Perspective
- 1.2 : Perspective
- 1.3 : Perspective (in open state)
- 1.4 : Front
- 1.5 : Front (in open state)
- 1.6 : Back
- 1.7 : Right
- 1.8 : Left
- 1.9 : Top
- 1.10 : Bottom

The design is for a padlock.

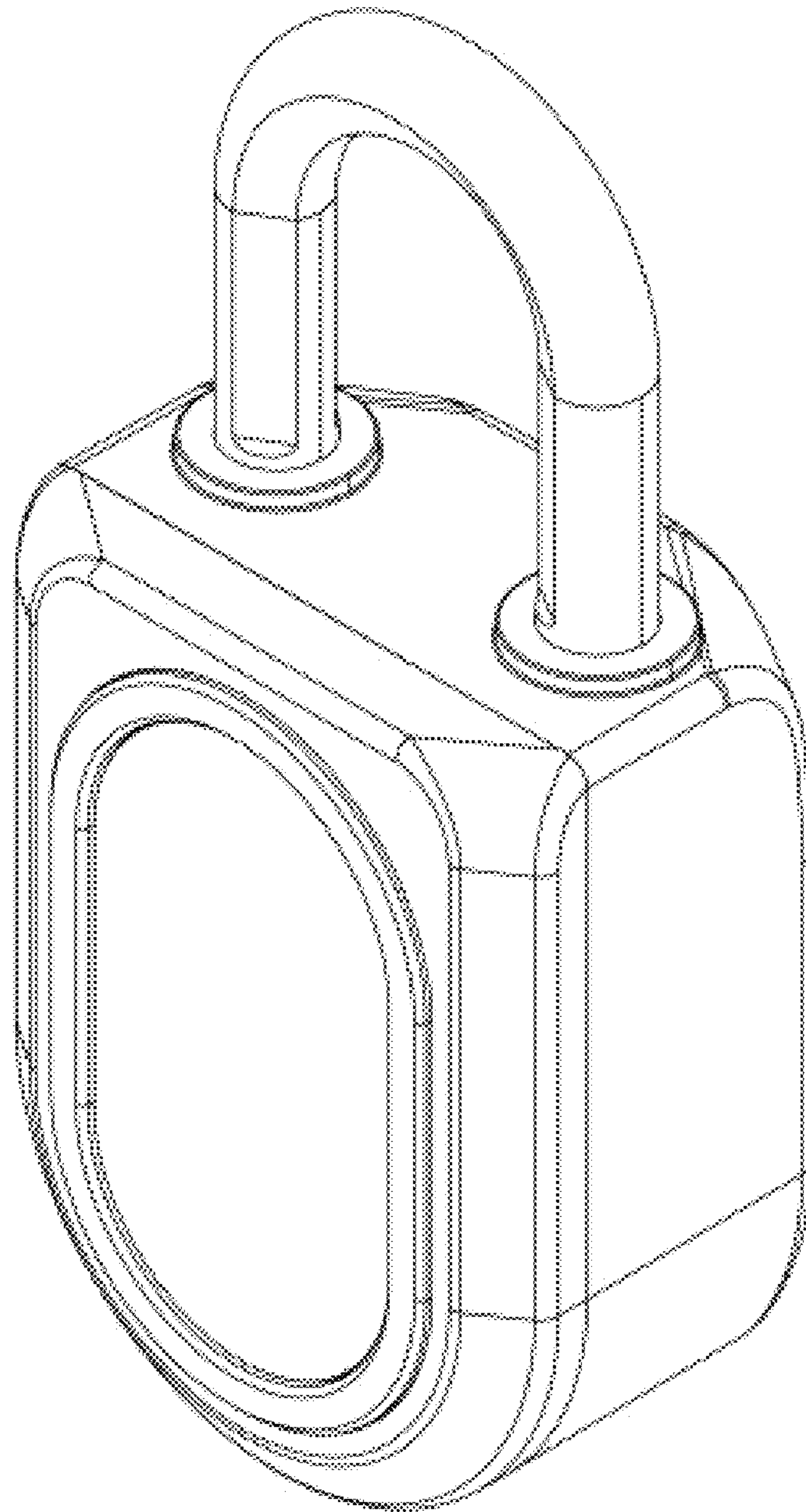
1 Claim, 10 Drawing Sheets



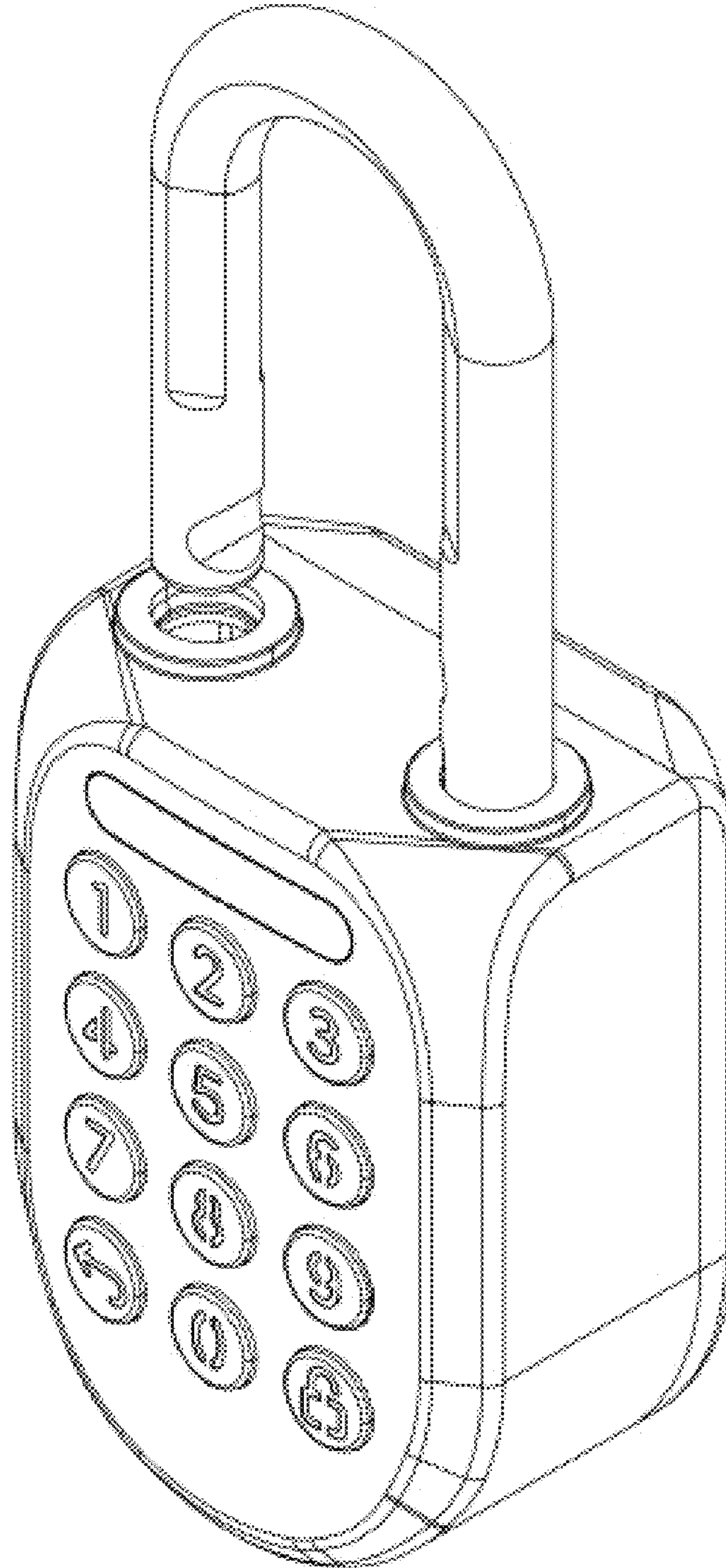
1.1



1.2



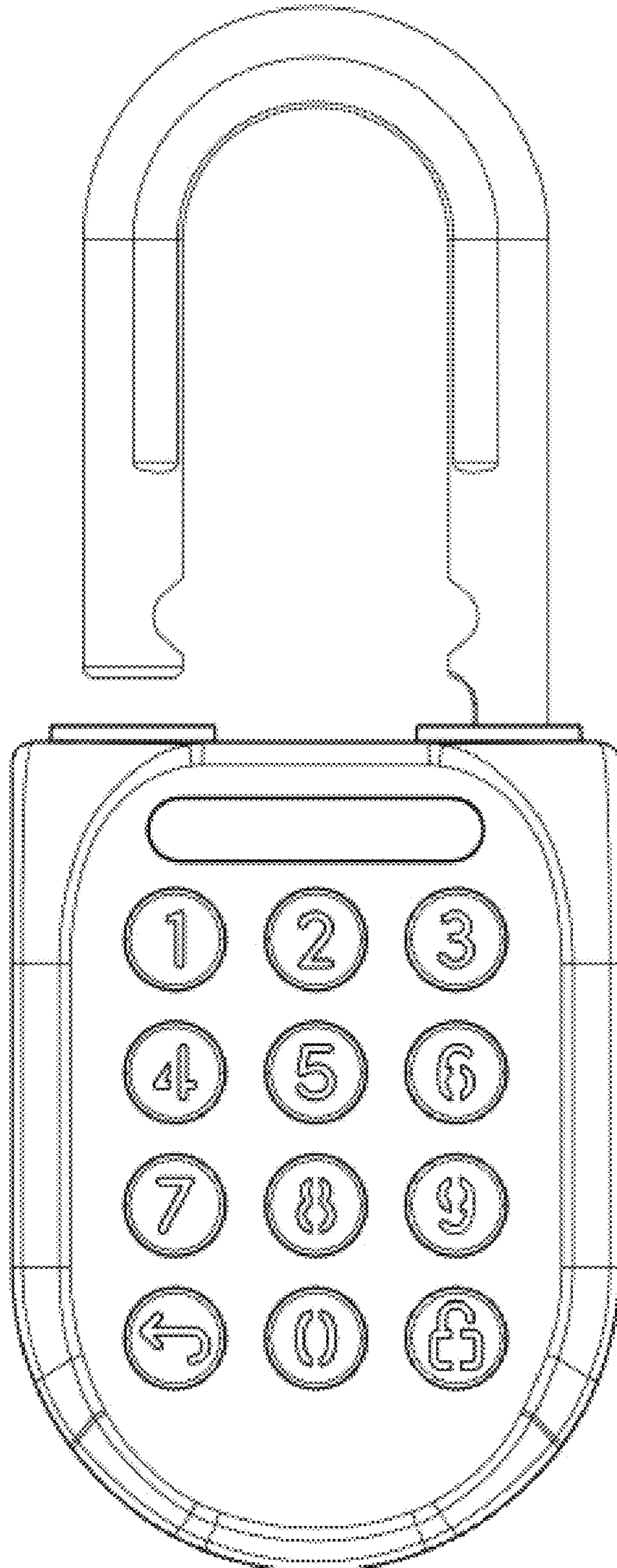
1.3



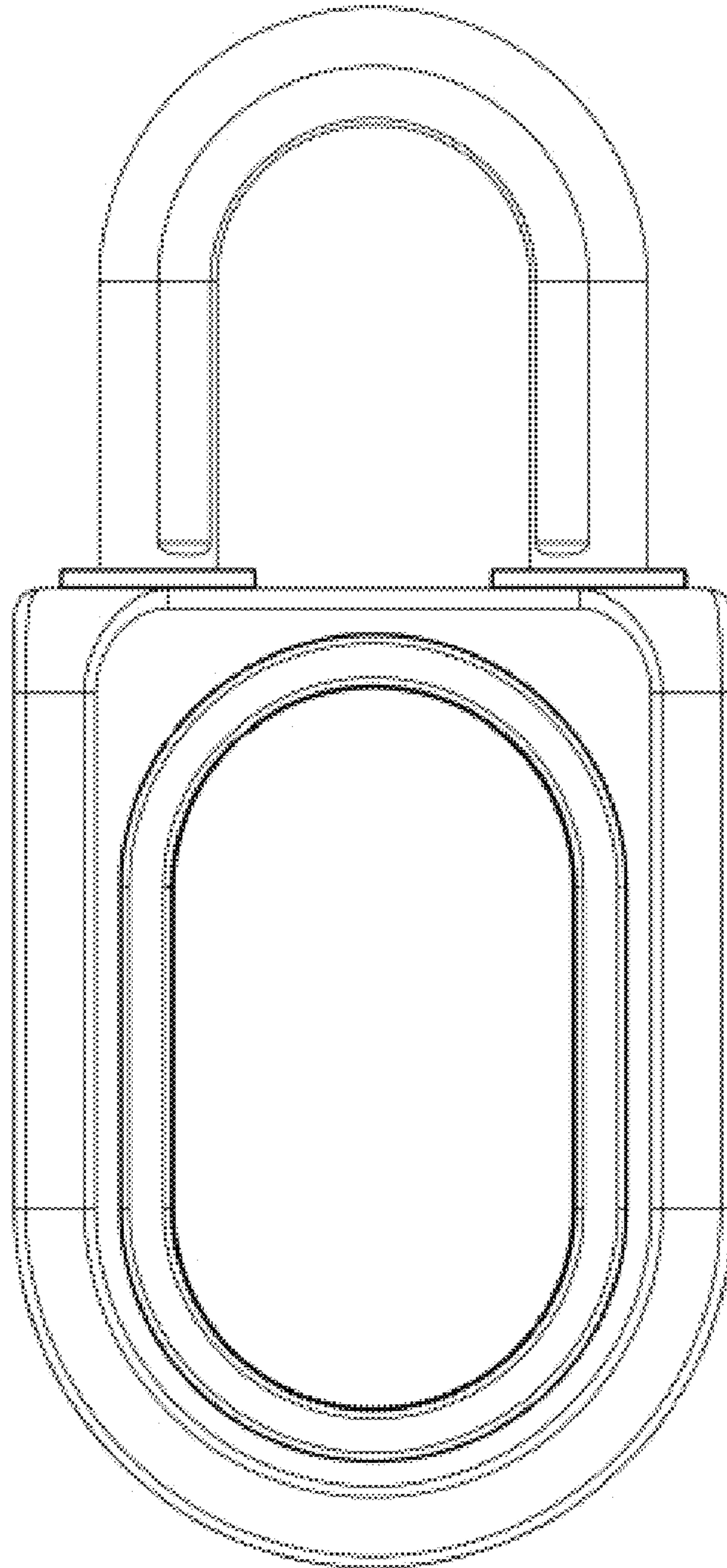
1.4



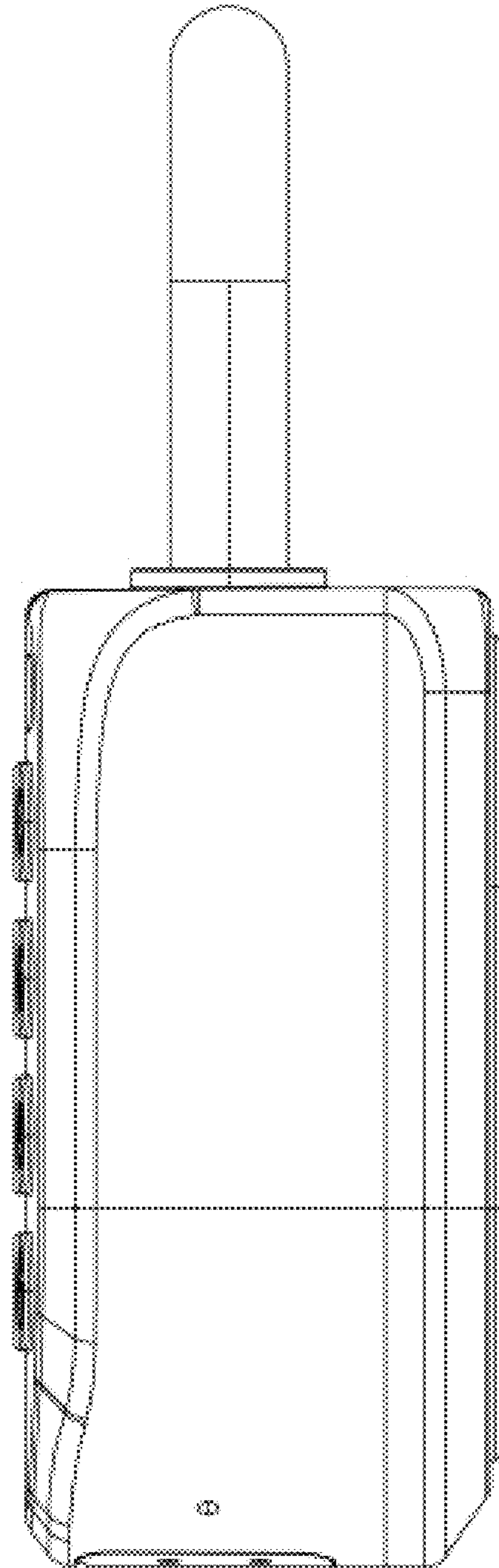
1.5



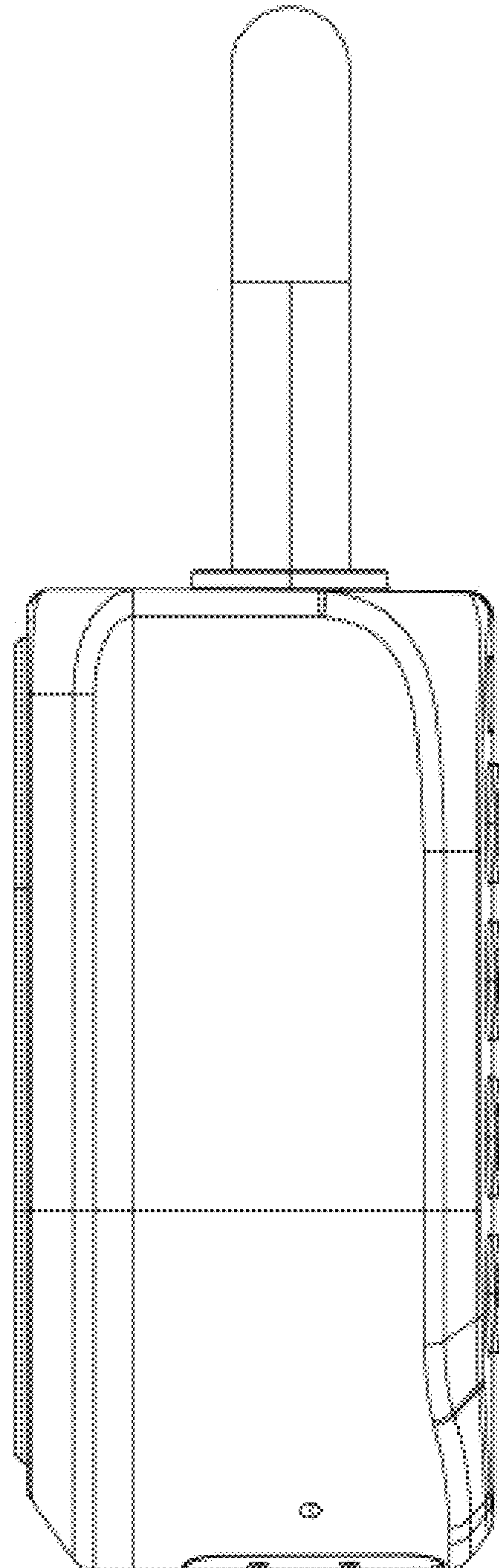
1.6



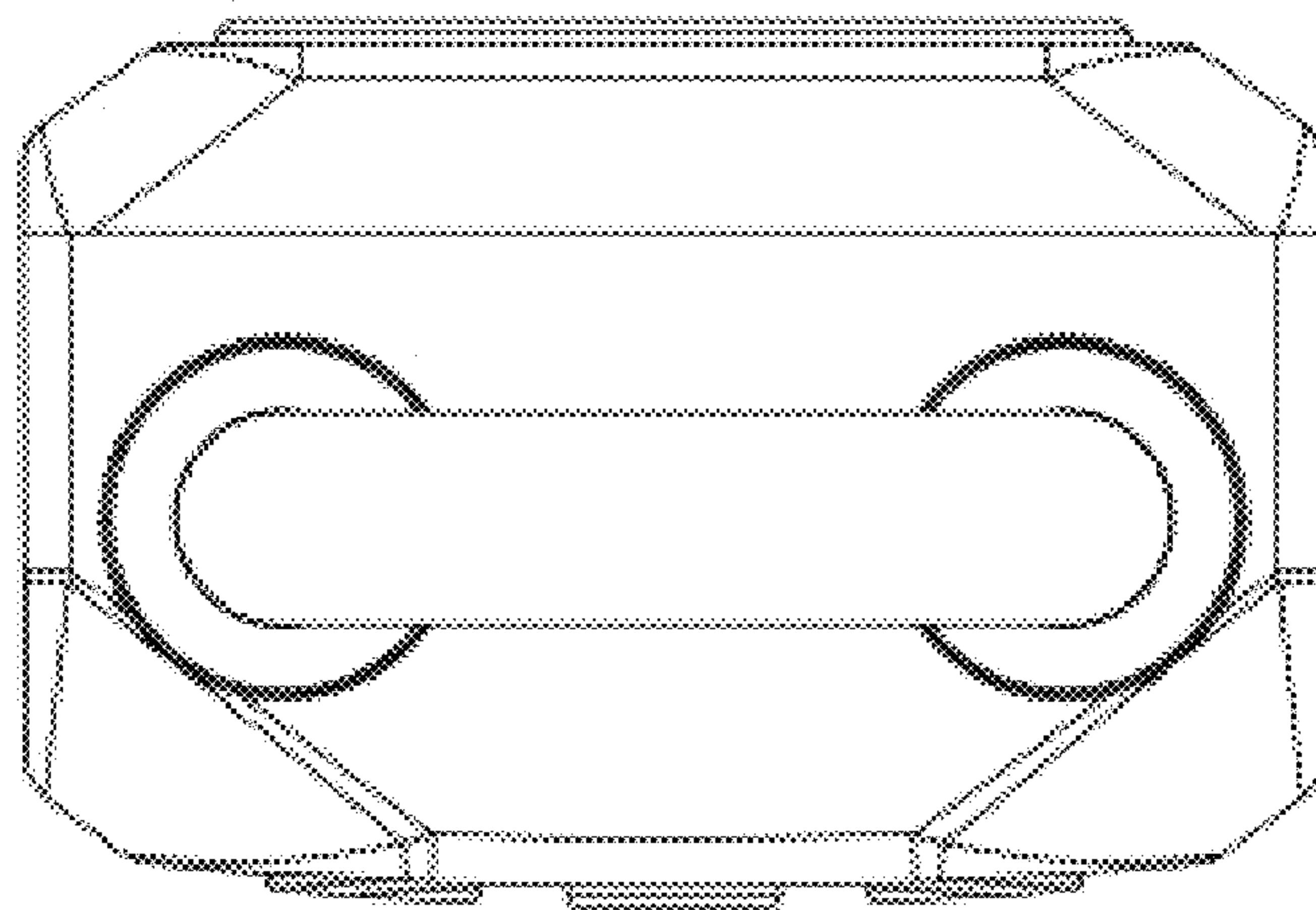
1.7



1.8



1.9



1.10

