



US00D983643S

(12) **United States Design Patent**
Wan

(10) **Patent No.:** **US D983,643 S**

(45) **Date of Patent:** **** Apr. 18, 2023**

(54) **SMART DOOR LOCK**

(71) Applicant: **Fengchi Wan**, Shenzhen (CN)

(72) Inventor: **Fengchi Wan**, Shenzhen (CN)

(**) Term: **15 Years**

(21) Appl. No.: **29/786,849**

(22) Filed: **Jun. 3, 2021**

(51) **LOC (14) Cl.** **08-07**

(52) **U.S. Cl.**
USPC **D8/331**

(58) **Field of Classification Search**

USPC D8/331, 336
CPC E05B 9/002; E05B 37/0031; E05B
2009/004; E05B 2009/006; G05B 9/02;
G05B 19/04; G05B 19/02; G05B
19/41835; G07C 9/00309; G07C 9/0069;
G07C 2009/00452; Y10T 70/7068; Y10T
70/7141; Y10T 70/7237; Y10T 70/8568
See application file for complete search history.

(56) **References Cited**

U.S. PATENT DOCUMENTS

6,865,913 B2 * 3/2005 Yamagishi G07C 9/00563
70/278.1
9,406,181 B2 * 8/2016 Almomani G07C 9/00309

D766,067 S * 9/2016 Hyde D8/331
D769,102 S * 10/2016 Euchner D8/331
10,385,588 B2 * 8/2019 Huang E05B 47/0012

* cited by examiner

Primary Examiner — Doris Clark

(74) *Attorney, Agent, or Firm* — Che-Yang Chen; Law
Office of Michael Chen

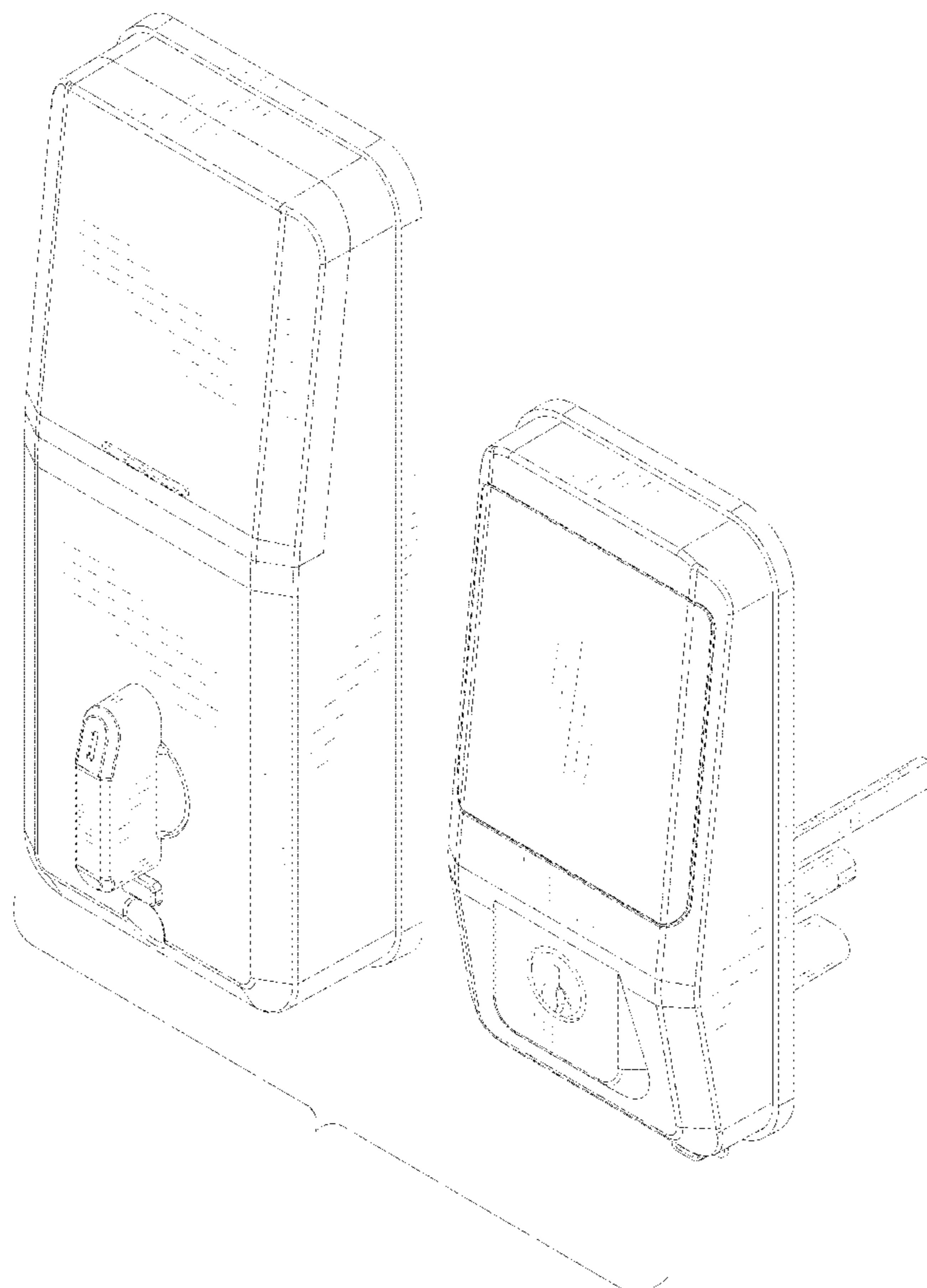
(57) **CLAIM**

The ornamental design for a smart door lock, as shown and
described.

DESCRIPTION

FIG. 1 is a perspective view of the smart door lock showing
my new design;
FIG. 2 is a perspective view thereof from another angle;
FIG. 3 is a front elevational view thereof;
FIG. 4 is a rear elevational view thereof;
FIG. 5 is a left side elevational view thereof;
FIG. 6 is a right side elevational view thereof;
FIG. 7 is a top plan view thereof; and,
FIG. 8 is a bottom plan view thereof.
The broken lines are for illustrative purposes only and form
no part of the claimed design.

1 Claim, 8 Drawing Sheets



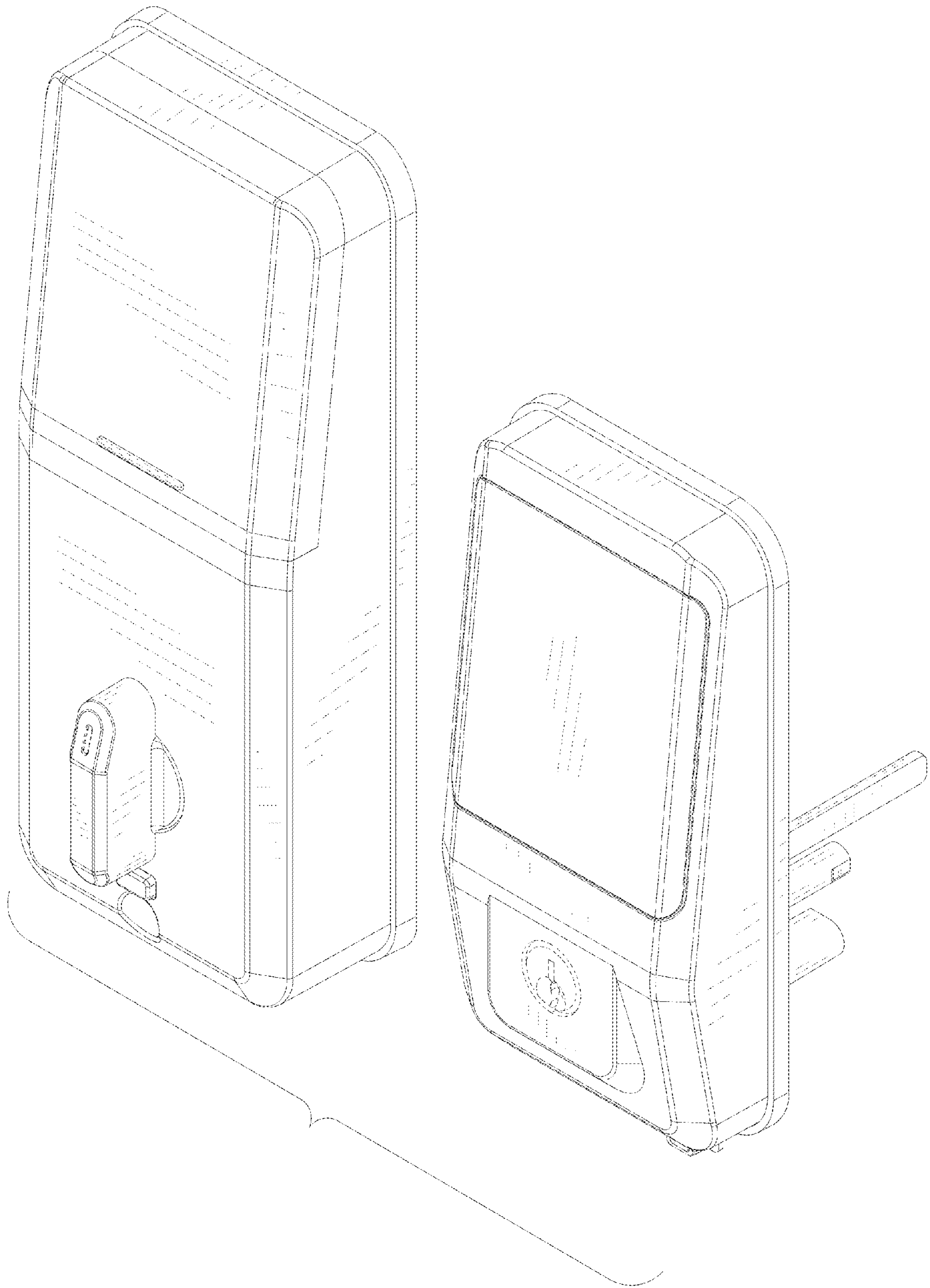


FIG.1

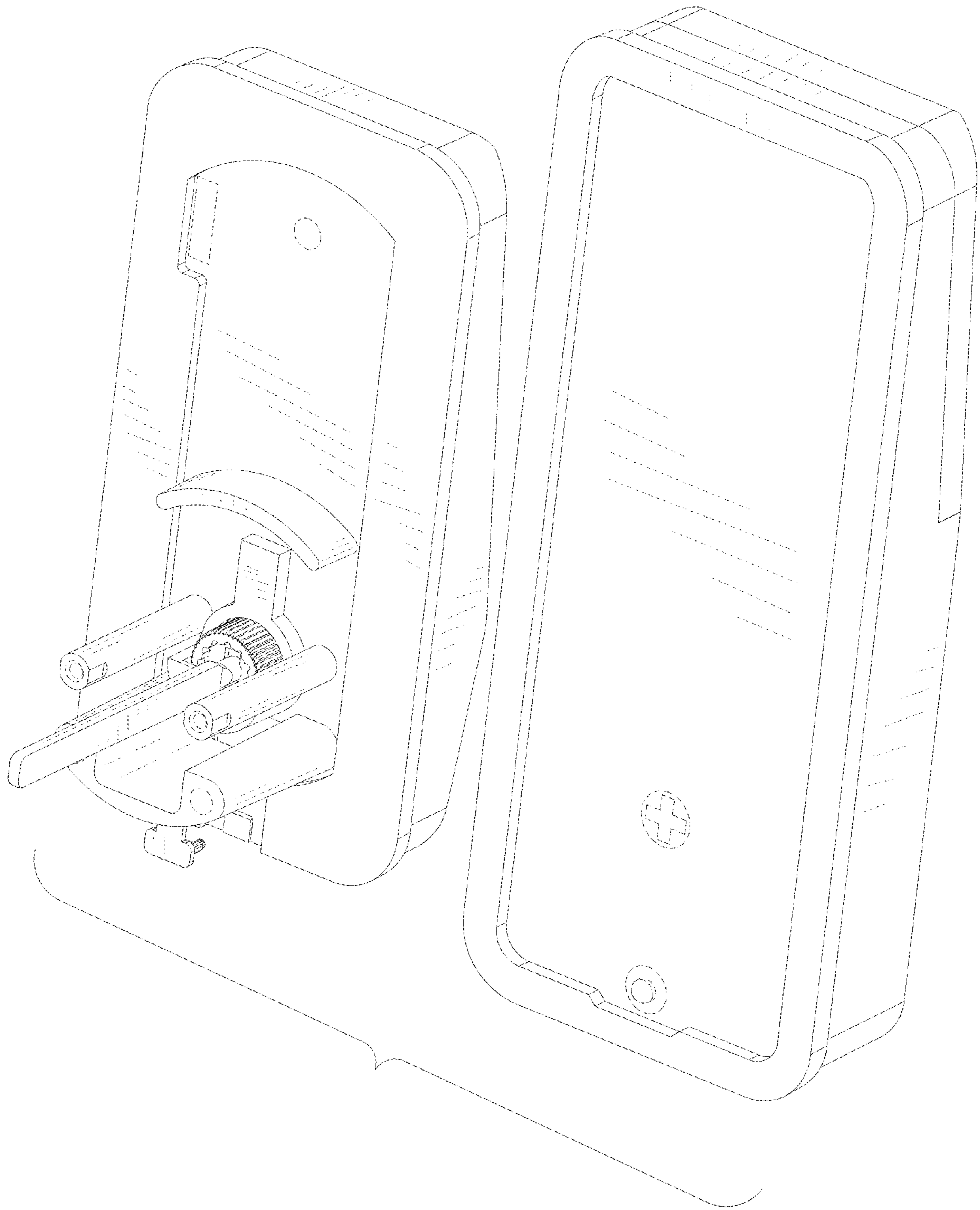


FIG. 2

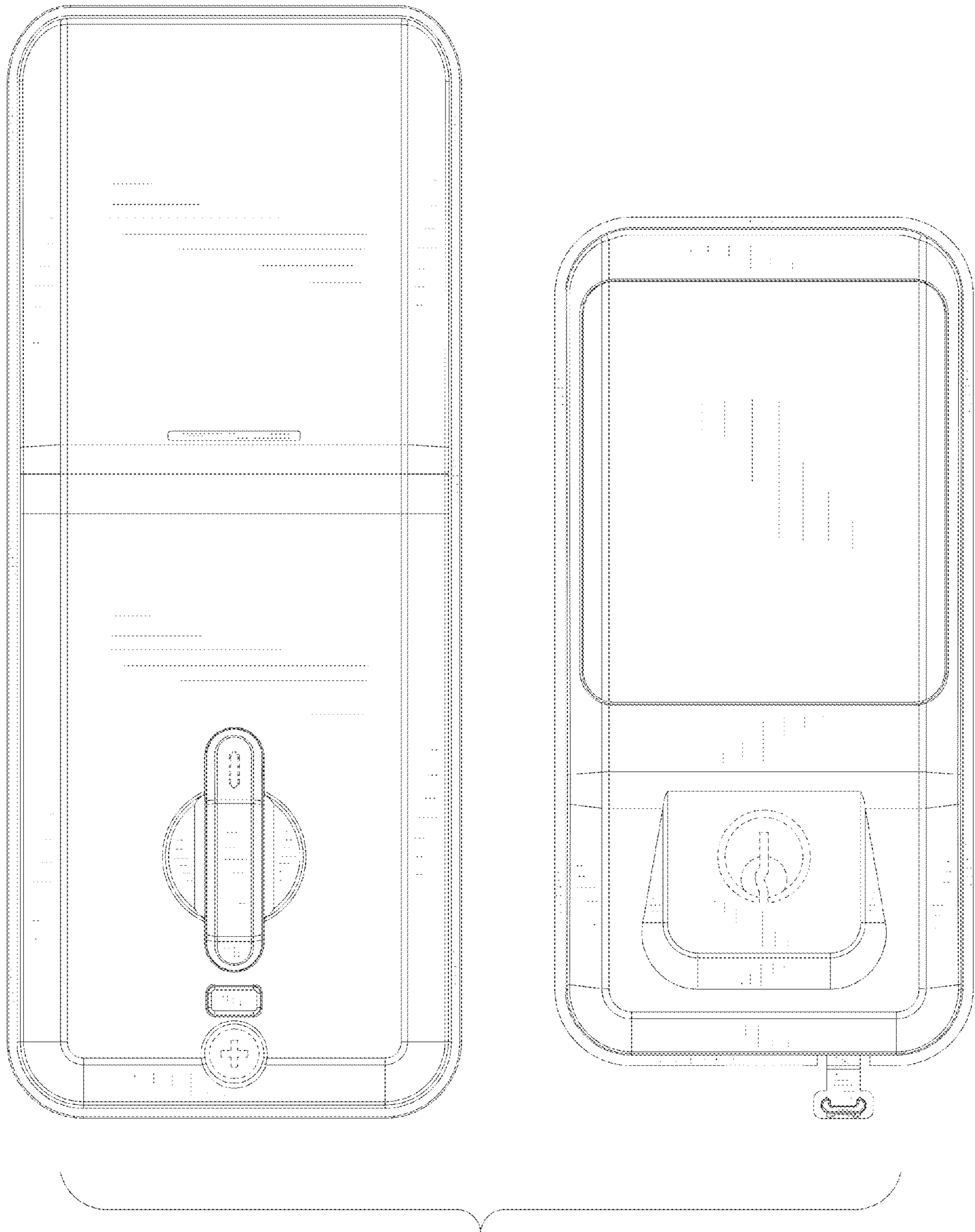


FIG. 3

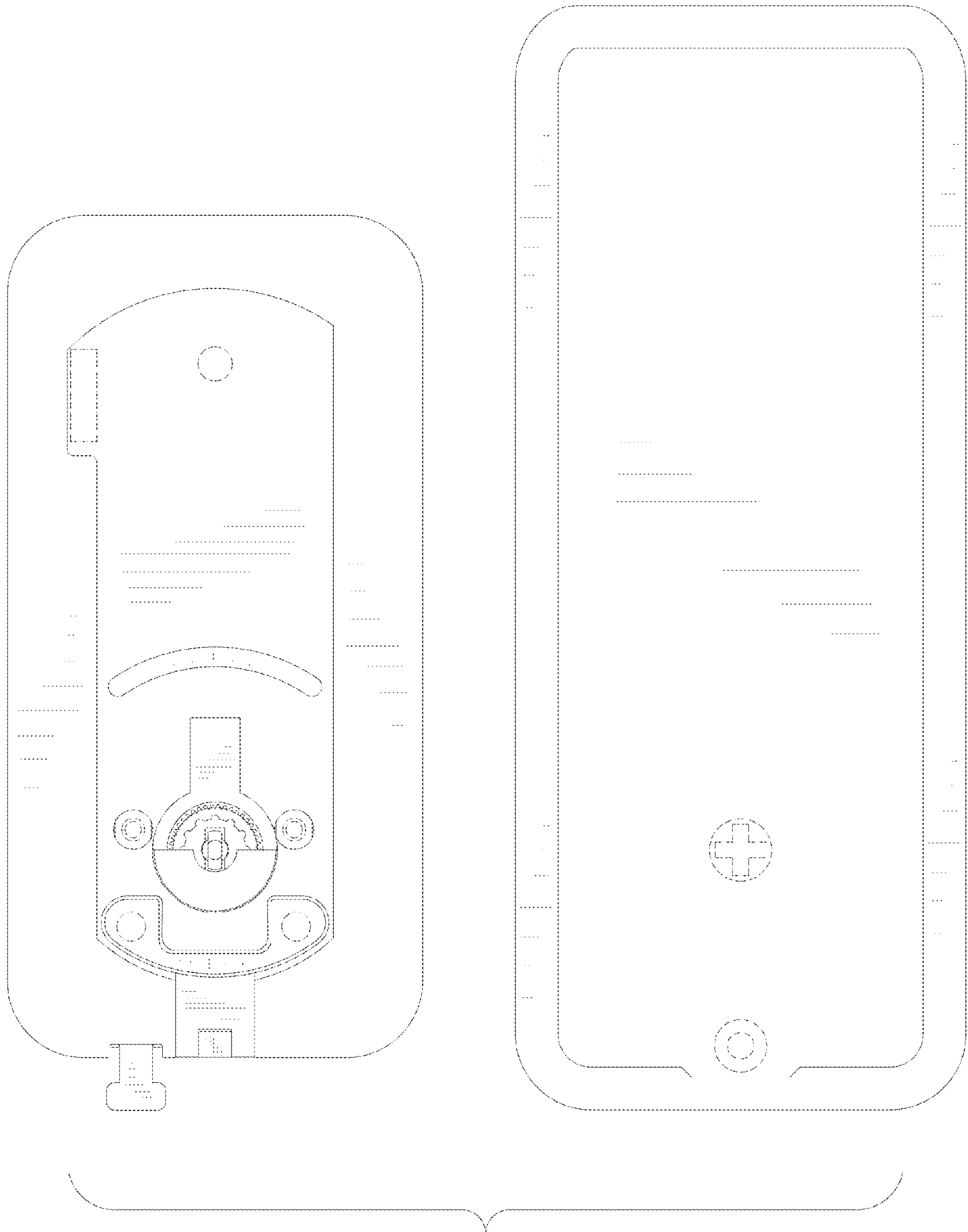


FIG. 4

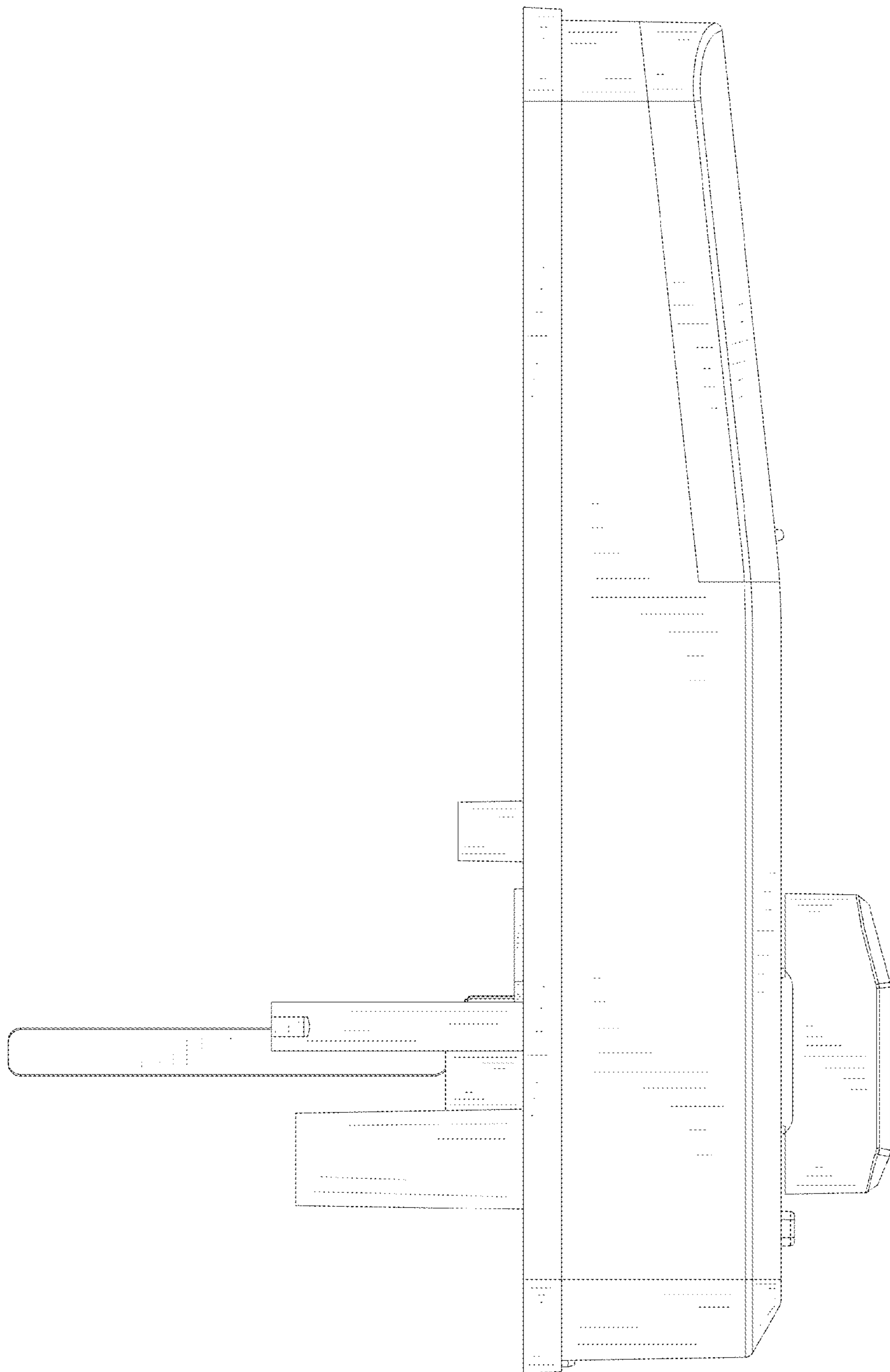


FIG. 5

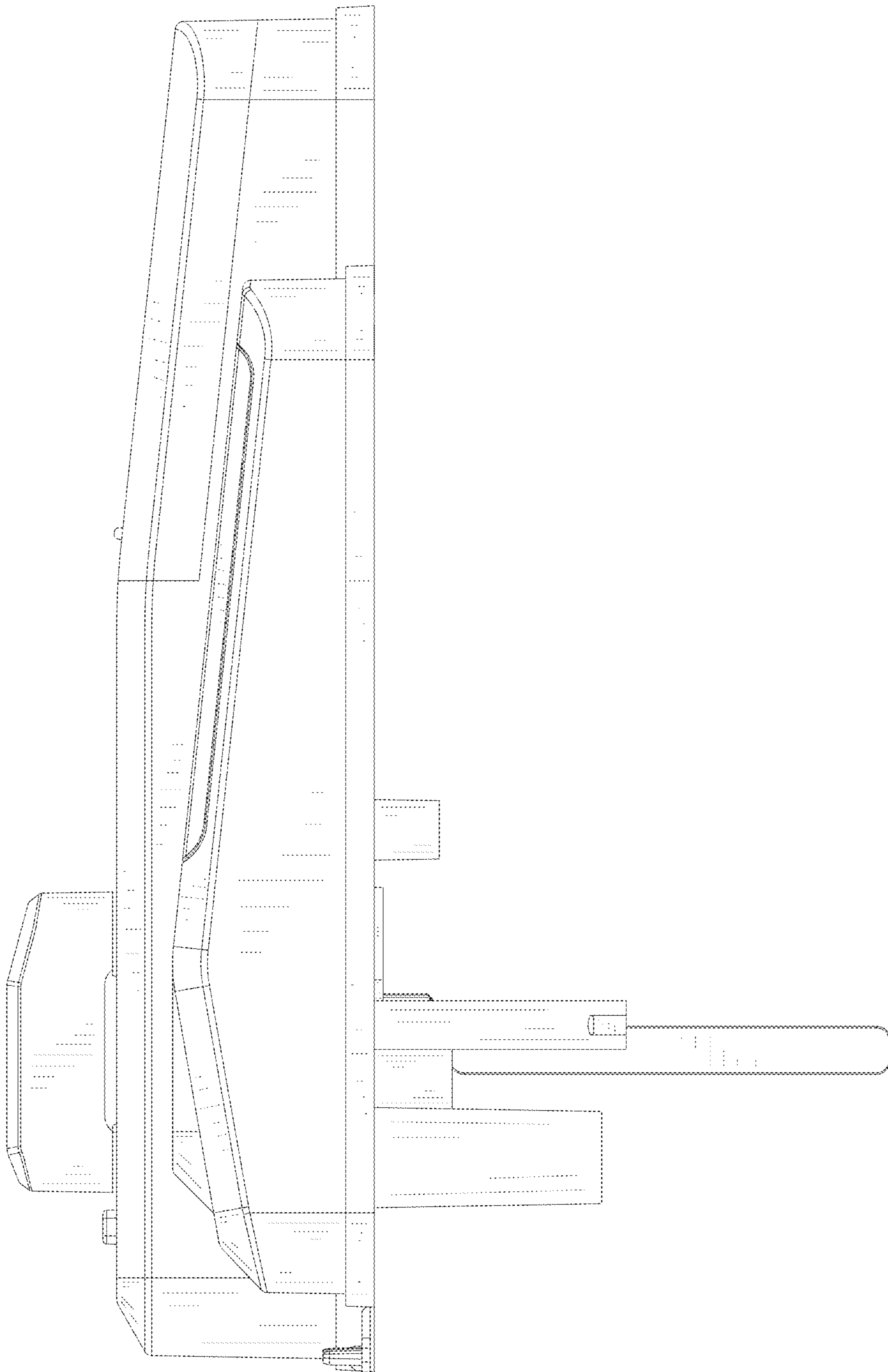


FIG. 6

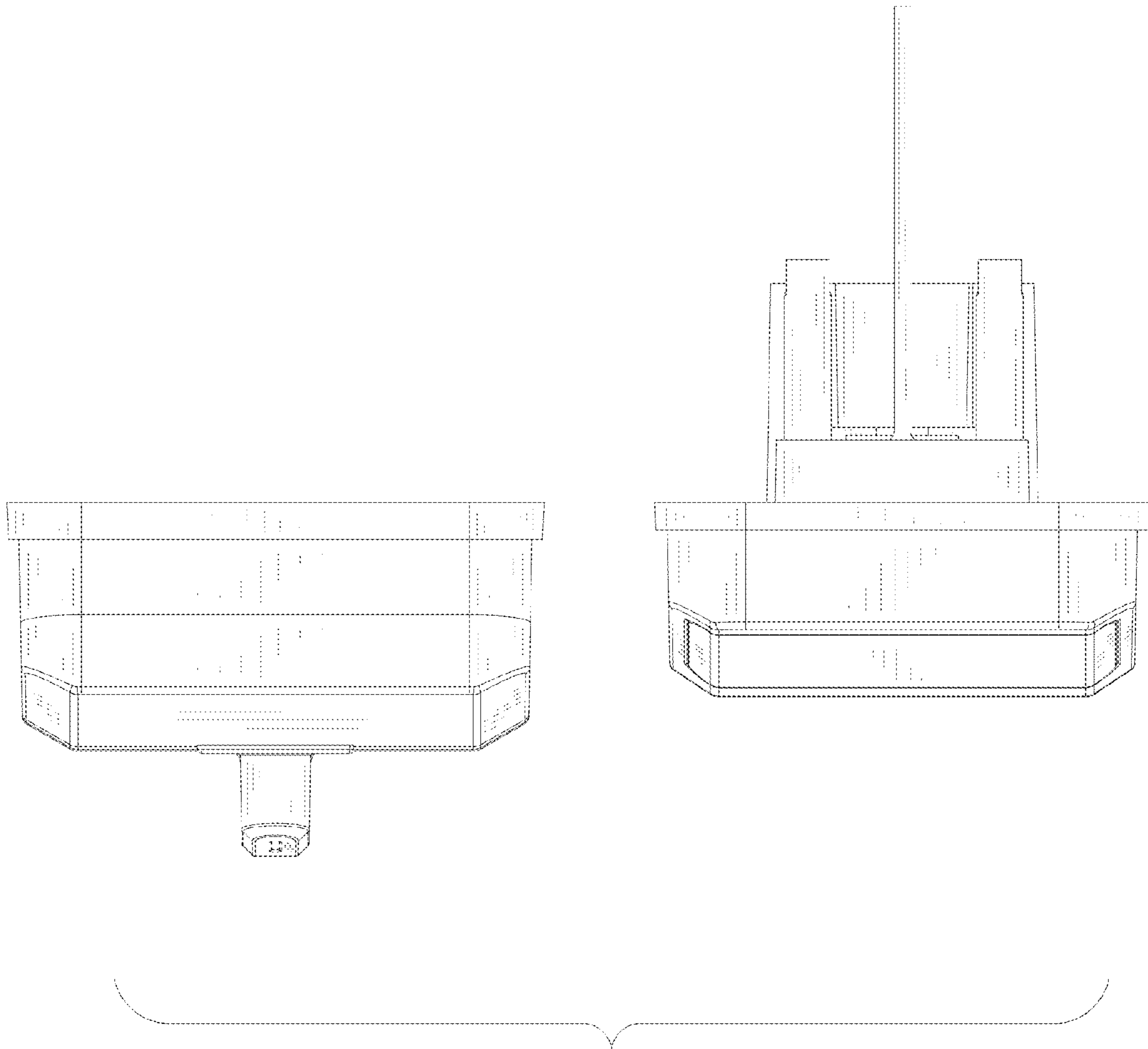


FIG. 7

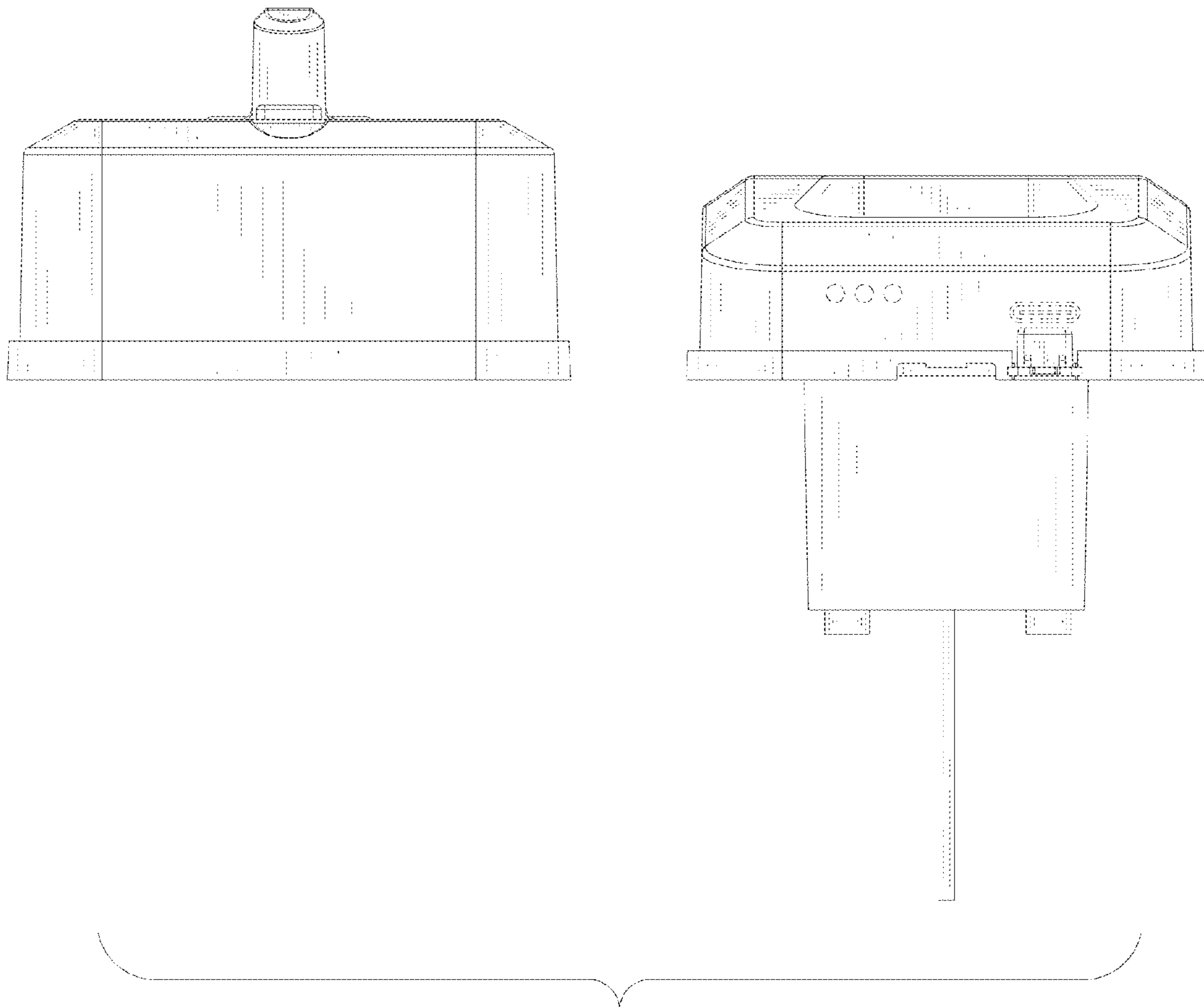


FIG. 8