



US00D983642S

(12) **United States Design Patent**
Liang

(10) **Patent No.:** **US D983,642 S**

(45) **Date of Patent:** **** Apr. 18, 2023**

- (54) **LOCKING BAR FOR CANOPY**
- (71) Applicant: **MAXLEAD INNOVATIONS CO., LTD**, Shenzhen (CN)
- (72) Inventor: **Yujiao Liang**, Chengdu (CN)
- (73) Assignee: **MAXLEAD INNOVATIONS CO., LTD**, Shenzhen (CN)
- (**) Term: **15 Years**
- (21) Appl. No.: **29/861,806**
- (22) Filed: **Dec. 2, 2022**
- (51) **LOC (14) Cl.** **08-07**
- (52) **U.S. Cl.**
USPC **D8/330**; D21/839
- (58) **Field of Classification Search**
USPC D21/839; D11/182; D8/343, 330;
D3/10, 50
CPC A45B 25/06; E04H 15/50; E04H 15/44
See application file for complete search history.

D814,173	S	*	4/2018	Ma	D3/10
D824,160	S		7/2018	You		
10,060,153	B2	*	8/2018	Song	E04H 15/34
10,273,710	B2	*	4/2019	Yang	E05B 65/00
D857,143	S	*	8/2019	Mateko	D22/108
10,631,604	B2	*	4/2020	Ma	A45B 25/06
10,982,464	B2	*	4/2021	Ying	E04H 15/44
11,002,036	B1	*	5/2021	Zhang	E04H 15/48
D925,687	S	*	7/2021	Yang	D21/839
D926,910	S	*	8/2021	Yang	E04H 15/44
						D21/839
D931,721	S	*	9/2021	Asik	D8/499
11,199,023	B2	*	12/2021	Sun	E04H 15/50
D962,630	S	*	9/2022	Conlon	D3/10
2014/0251394	A1	*	9/2014	Ma	A45B 25/10
						135/19.5
2018/0125184	A1	*	5/2018	Song	E04H 15/50

* cited by examiner

Primary Examiner — Cynthia R Underwood
(74) *Attorney, Agent, or Firm* — ScienBiziP, P.C.

(57) **CLAIM**

The ornamental design for a locking bar for canopy, as shown and described.

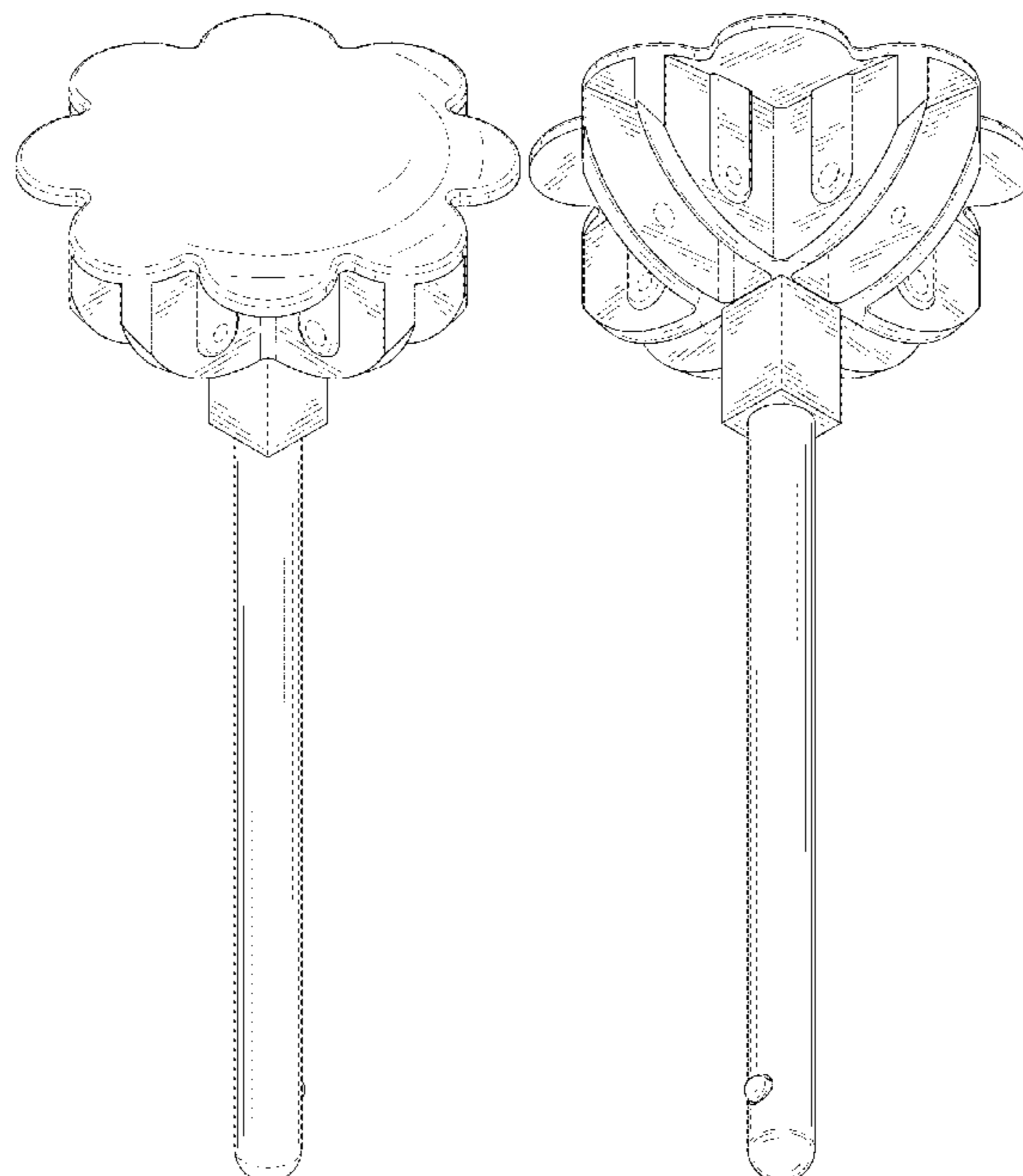
DESCRIPTION

FIG. 1 is a front, right and top perspective view of a locking bar for canopy, showing my design.
 FIG. 2 is a rear, left and bottom perspective view thereof.
 FIG. 3 is a front elevation view thereof.
 FIG. 4 is a rear elevation view thereof.
 FIG. 5 is a left side elevation view thereof.
 FIG. 6 is a right side elevation view thereof.
 FIG. 7 is a top plan view thereof; and,
 FIG. 8 is a bottom plan view thereof.
 The broken lines depict portions of the locking bar for canopy that form no part of the claimed design.

1 Claim, 8 Drawing Sheets

(56) **References Cited**
U.S. PATENT DOCUMENTS

D320,111	S	*	9/1991	Ma	D3/10
D321,779	S	*	11/1991	Ma	D3/10
D350,686	S	*	9/1994	Myers	D8/343
6,006,771	A	*	12/1999	Wu	A45B 25/08
						135/39
D534,054	S	*	12/2006	Garcia, Sr.	D8/343
D596,921	S	*	7/2009	Hageman	D8/343
D623,396	S		9/2010	He		
D649,431	S	*	11/2011	Shartel	D8/343
D662,442	S	*	6/2012	Ettorre	D11/182
D719,343	S	*	12/2014	Ma	D3/10
D733,520	S	*	7/2015	Barna	D8/343
D754,963	S	*	5/2016	Austin	D3/10



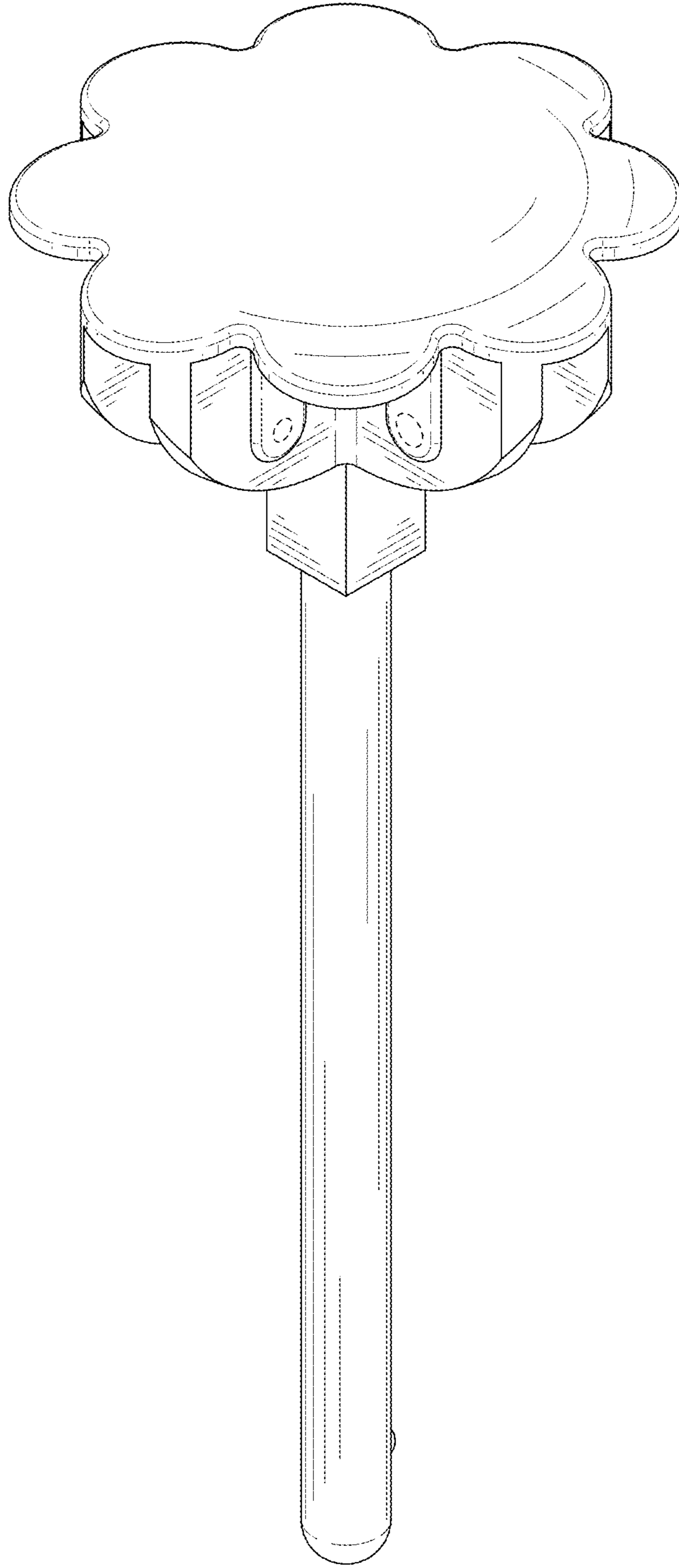


FIG. 1

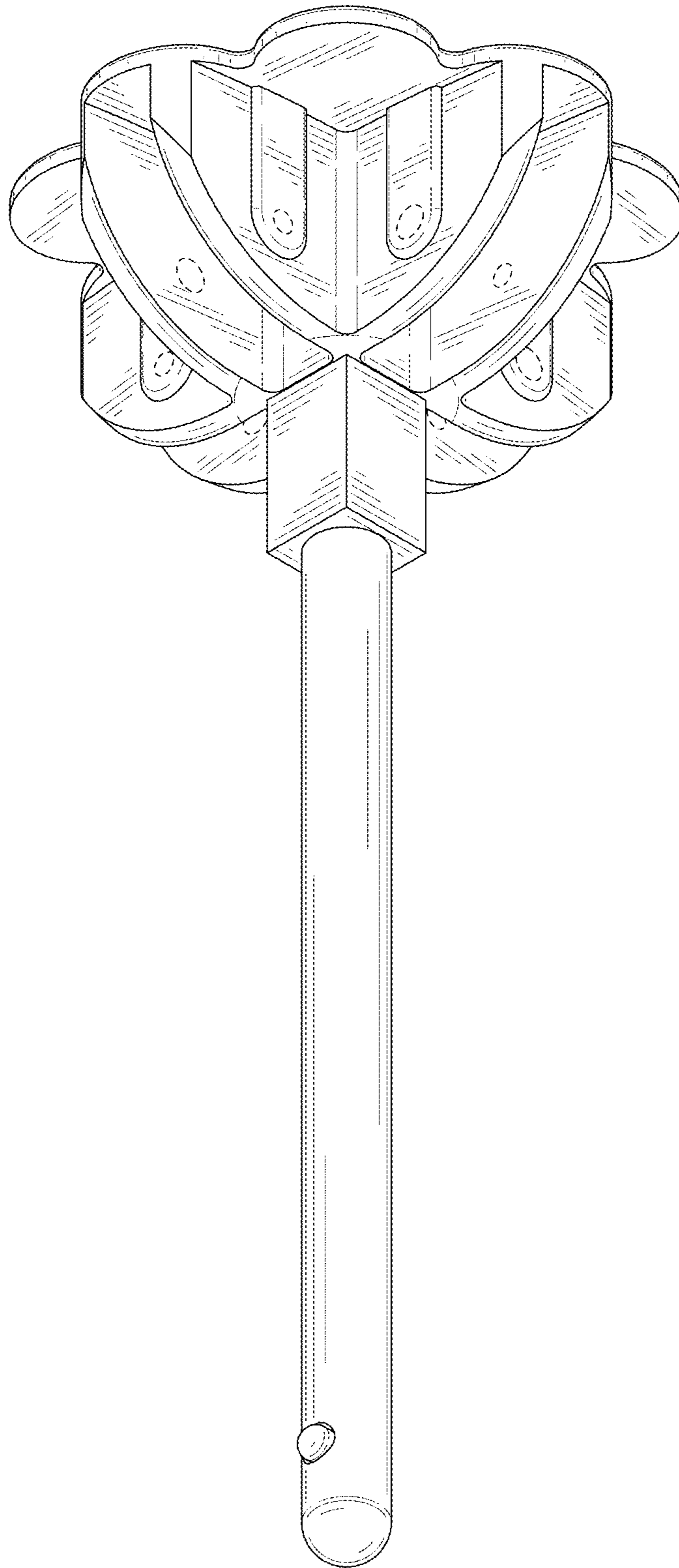


FIG. 2

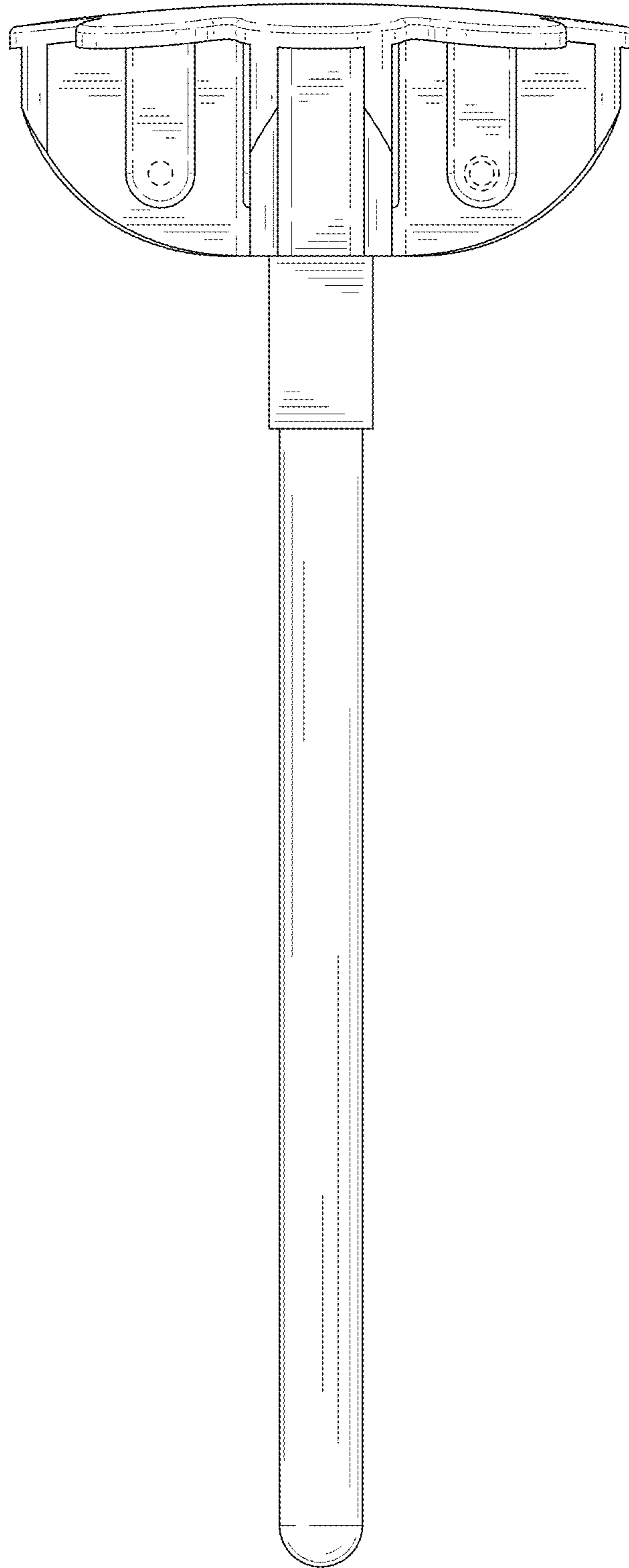


FIG. 3

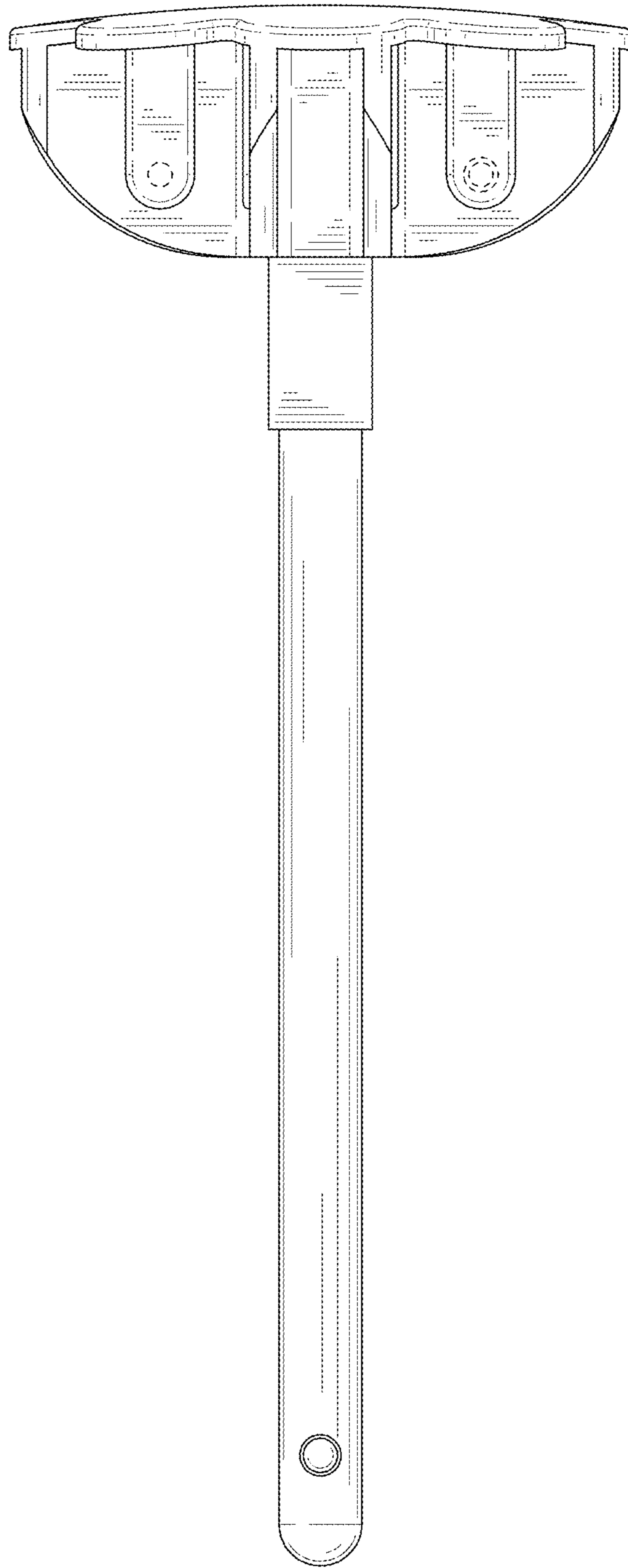


FIG. 4

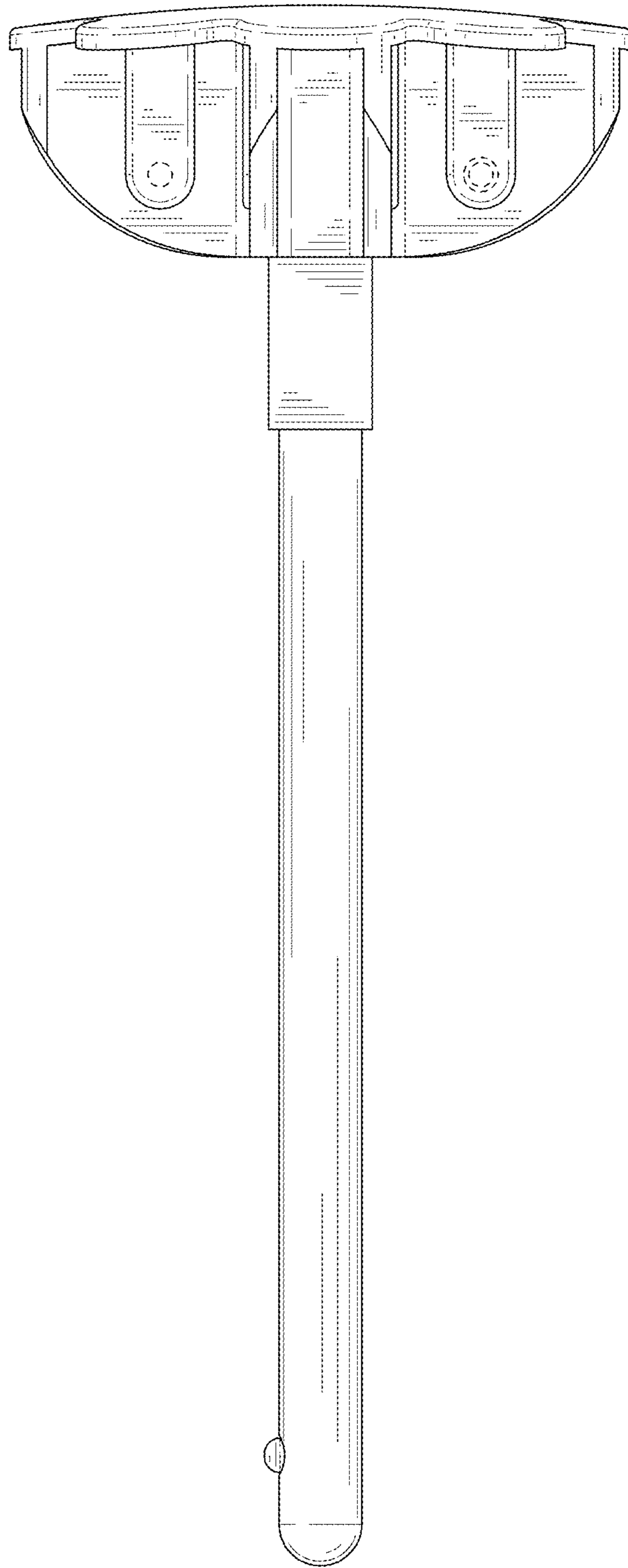


FIG. 5

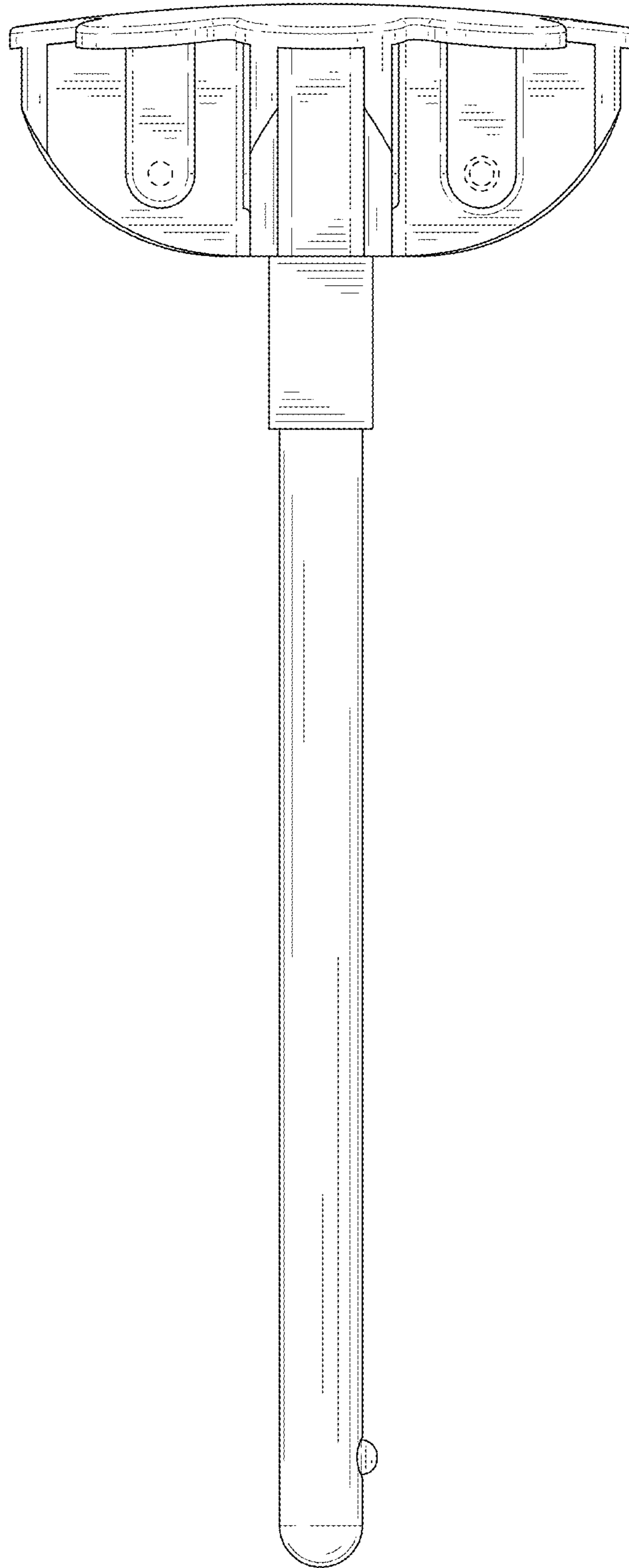


FIG. 6

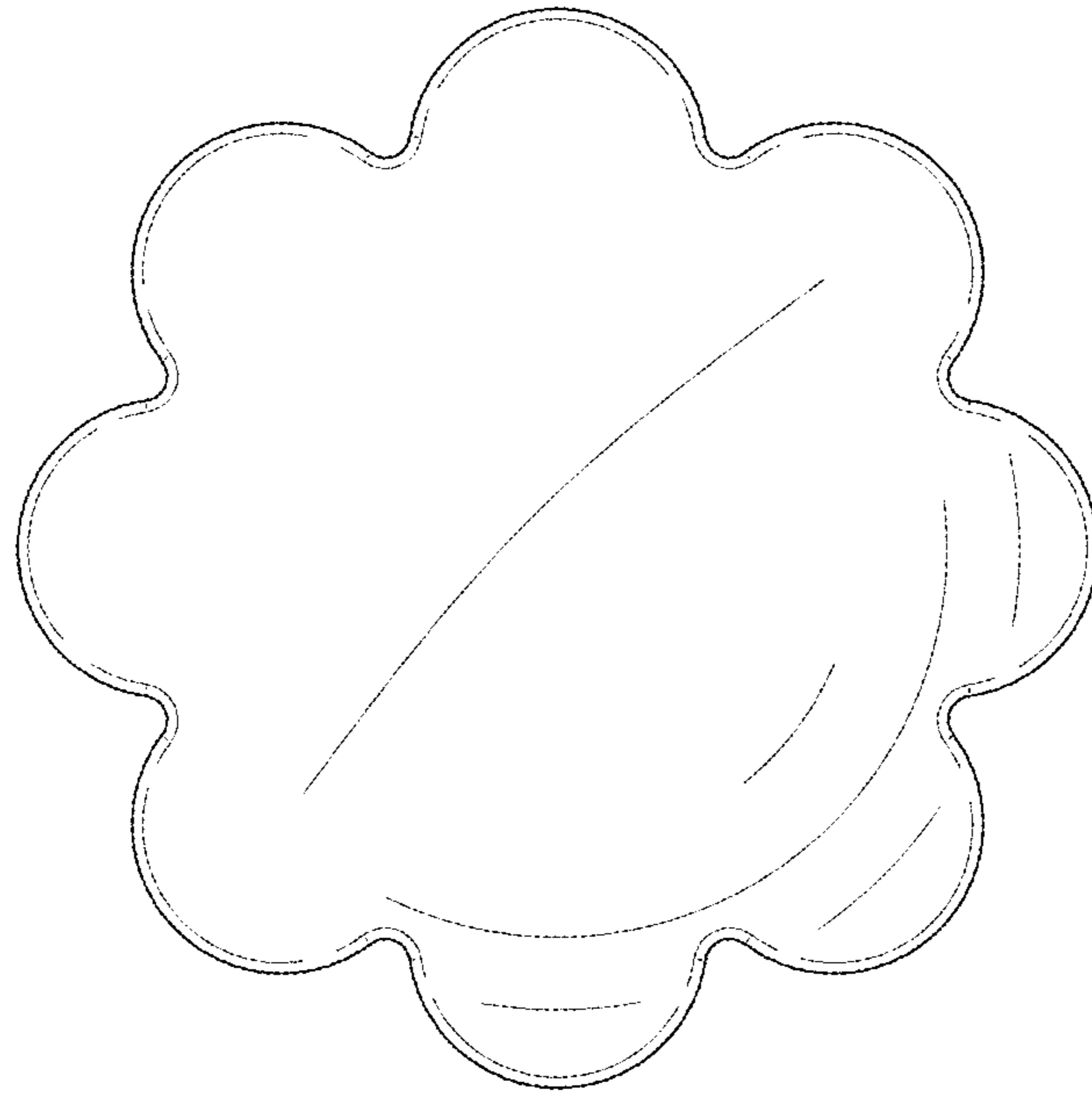


FIG. 7

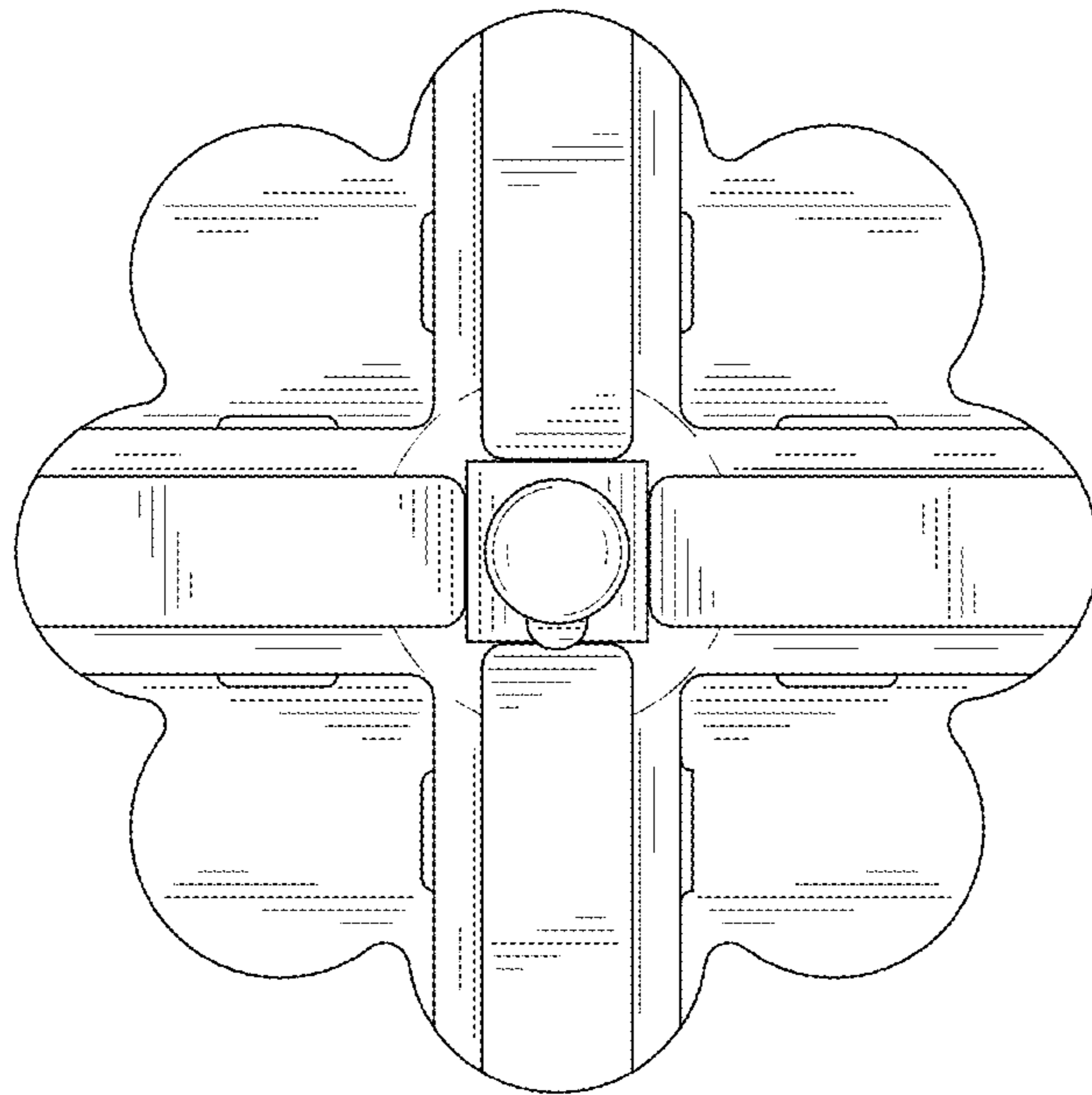


FIG. 8