



US00D983640S

(12) **United States Design Patent**  
**Zaretsky**

(10) **Patent No.:** **US D983,640 S**

(45) **Date of Patent:** **\*\* Apr. 18, 2023**

(54) **MULTITOOL**

(71) Applicant: **Boris Zaretsky**, Brooklyn, NY (US)

(72) Inventor: **Boris Zaretsky**, Brooklyn, NY (US)

(\*\*) Term: **15 Years**

(21) Appl. No.: **29/796,656**

(22) Filed: **Jun. 25, 2021**

(51) **LOC (14) Cl.** ..... **08-05**

(52) **U.S. Cl.**  
USPC ..... **D8/105**

(58) **Field of Classification Search**

USPC ..... D8/14, 16, 17, 18, 19, 33, 34, 40, 105;  
D3/208, 210, 211  
CPC .... B25F 1/00; B25F 1/003; B25F 1/04; B25F  
1/006; B25F 1/02; B67B 7/16; B67B  
7/44; B67B 7/403; B26B 11/003; F23Q  
1/06; A46B 15/0081; A46B 15/0055;  
B25B 7/22

See application file for complete search history.

(56) **References Cited**

**U.S. PATENT DOCUMENTS**

D352,440 S *	11/1994	Perigny	.....	D8/98
D444,685 S *	7/2001	Shenkel	.....	D8/18
D475,591 S *	6/2003	Luquire	.....	D8/367
D576,002 S *	9/2008	Barber	.....	D8/105
D623,030 S *	9/2010	Spater	.....	D8/16
7,874,034 B1 *	1/2011	Mack	.....	B25B 13/02 7/138
D649,001 S *	11/2011	Still	.....	D8/98
D733,516 S *	7/2015	Kelleghan	.....	D8/105
D758,824 S *	6/2016	Kelleghan	.....	D8/356
D768,460 S *	10/2016	Adelman	.....	D8/105
D772,679 S *	11/2016	Hawker	.....	D8/105
D774,371 S *	12/2016	Lee	.....	D8/25
D799,297 S *	10/2017	Manor	.....	D8/105

D803,657 S *	11/2017	Hawker	.....	D8/105
D807,725 S *	1/2018	Chalfant	.....	D8/105
D808,240 S *	1/2018	Kelleghan	.....	D8/105
D808,764 S *	1/2018	Weinberger	.....	D8/105
D837,930 S *	1/2019	Drai	.....	D22/117
D848,813 S *	5/2019	Kelleghan	.....	D8/105
D878,892 S *	3/2020	Kao	.....	D8/105
D882,369 S *	4/2020	Adelman	.....	D8/356
D887,811 S *	6/2020	Adelman	.....	D8/105
D888,528 S *	6/2020	Hepler	.....	D8/19
D896,046 S *	9/2020	Spater	.....	D8/356
D918,692 S *	5/2021	Adelman	.....	D8/356
D932,271 S *	10/2021	Xu	.....	D8/70
D938,254 S *	12/2021	Ormsbee	.....	D8/105
D945,843 S *	3/2022	Banchitta	.....	D8/18
D947,008 S *	3/2022	Escobar	.....	D8/356
D956,505 S *	7/2022	Bose	.....	D8/19

(Continued)

*Primary Examiner* — Eliza Z Harvey

*Assistant Examiner* — Kayla Marie Bennett

(74) *Attorney, Agent, or Firm* — Boris Leschinsky

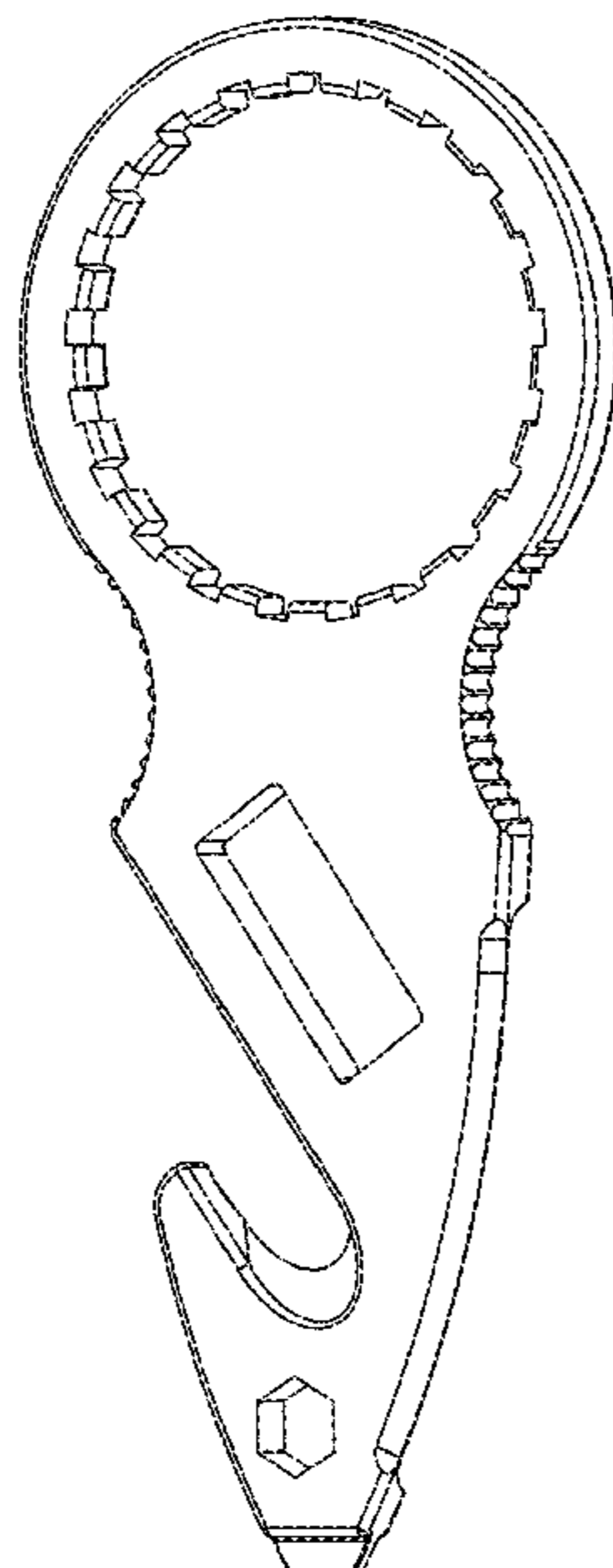
(57) **CLAIM**

The ornamental design for a multitool, as shown.

**DESCRIPTION**

FIG. 1 is a front right perspective view of a multitool.  
 FIG. 2 is a front left perspective view thereof.  
 FIG. 3 is a top left side perspective view thereof.  
 FIG. 4 is a top right-side perspective view thereof.  
 FIG. 5 is a bottom left side perspective view thereof.  
 FIG. 6 is a bottom right-side perspective view thereof.  
 FIG. 7 is a front right perspective view of a second embodiment of a multitool.  
 FIG. 8 is a front left perspective view thereof.  
 FIG. 9 is a top left side perspective view thereof.  
 FIG. 10 is a top right-side perspective view thereof.  
 FIG. 11 is a bottom left side perspective view thereof; and,  
 FIG. 12 is a bottom right-side perspective view thereof.

**1 Claim, 4 Drawing Sheets**



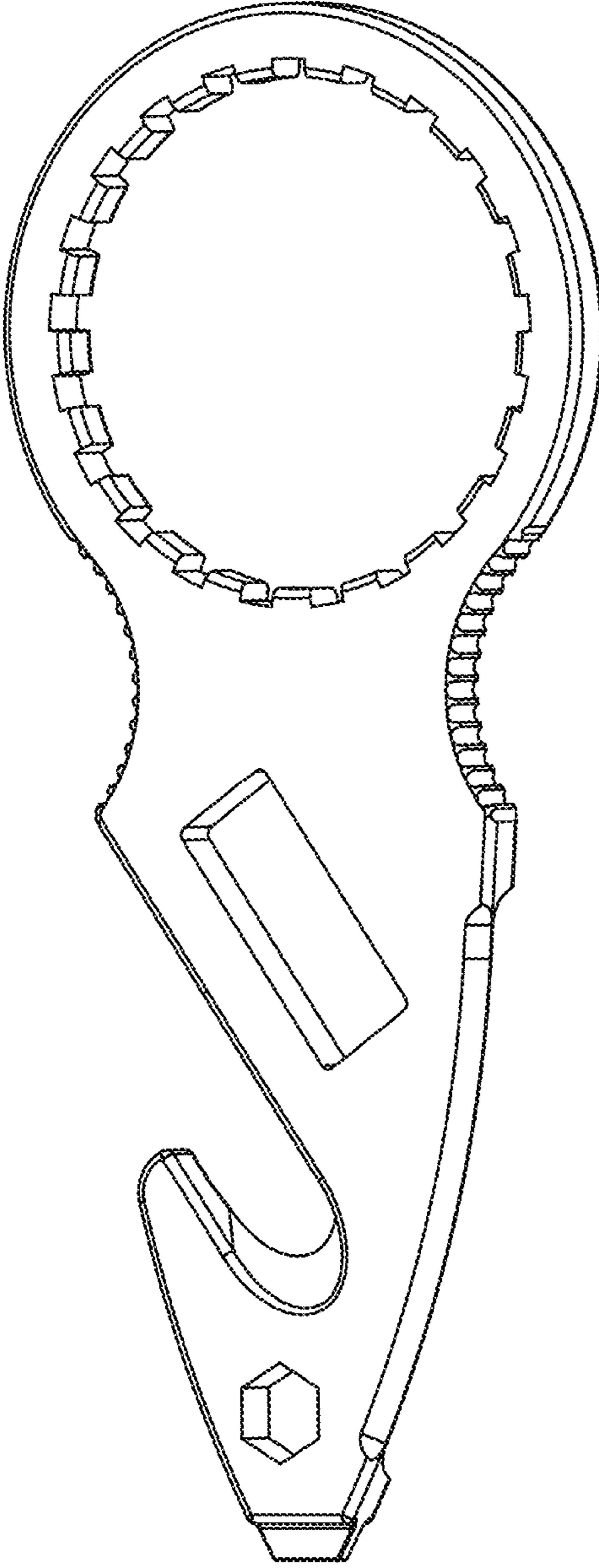
(56)

**References Cited**

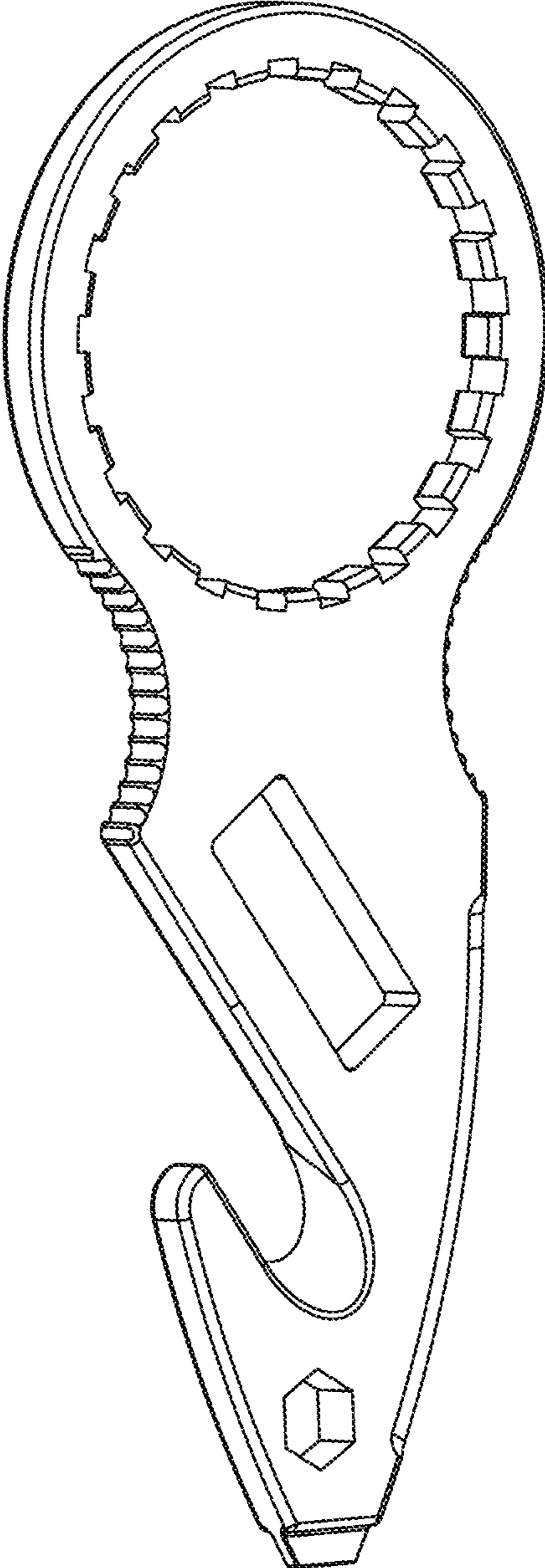
U.S. PATENT DOCUMENTS

D962,025 S \* 8/2022 Bugert ..... D8/105  
D963,445 S \* 9/2022 Colli ..... D8/16  
D963,446 S \* 9/2022 Colli ..... D8/16  
D964,827 S \* 9/2022 Tsai ..... D8/14  
2011/0061503 A1\* 3/2011 Mayes ..... B63C 11/52  
83/13  
2021/0323141 A1\* 10/2021 Tunney ..... B25J 1/04

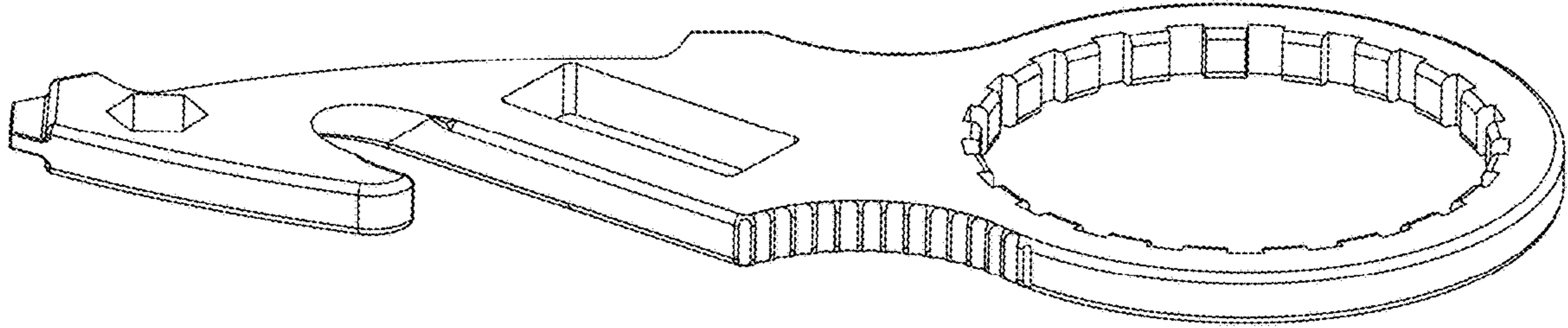
\* cited by examiner



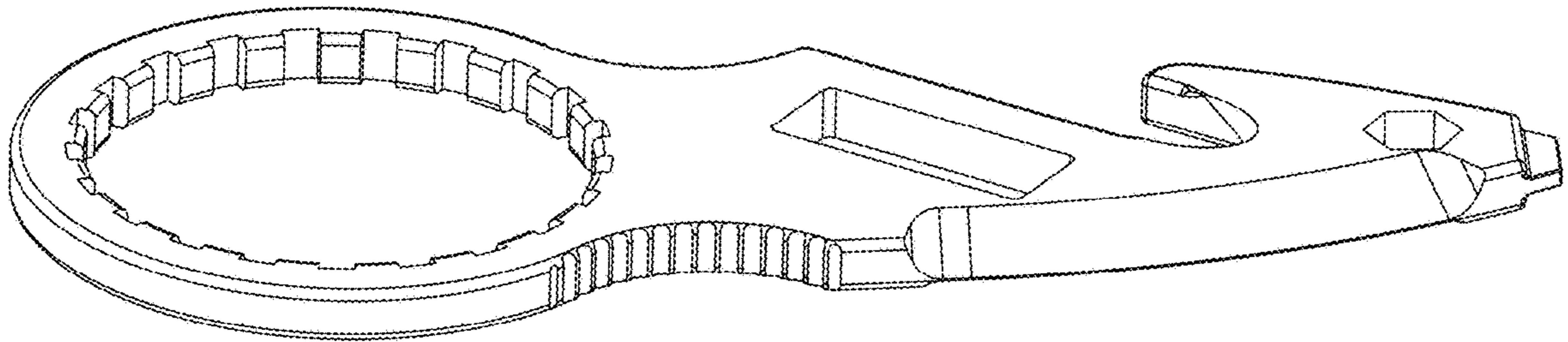
**FIG. 1**



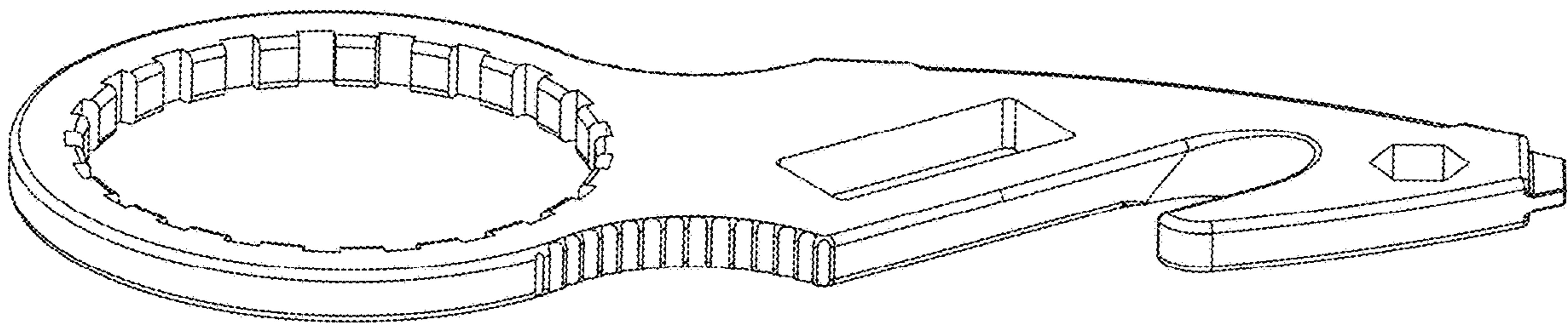
**FIG. 2**



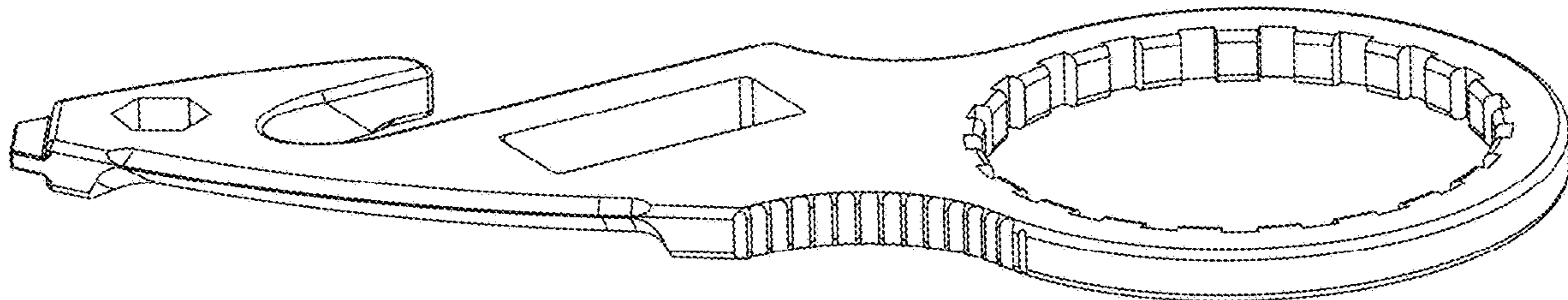
**FIG. 3**



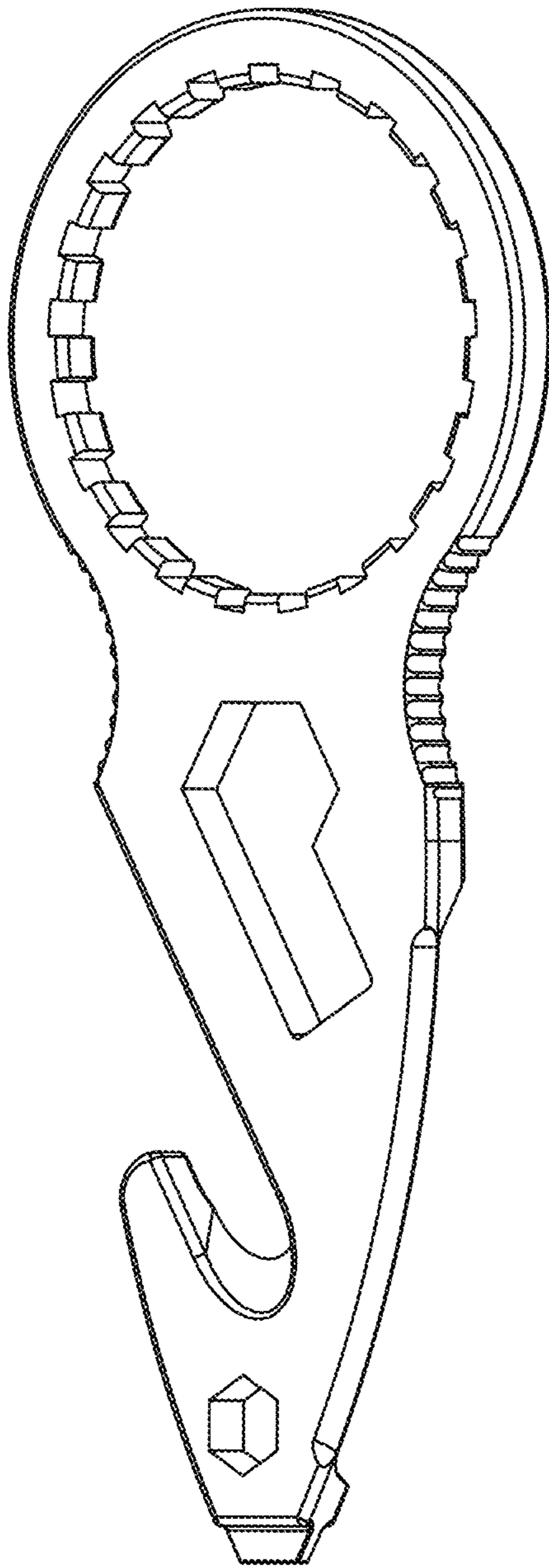
**FIG. 4**



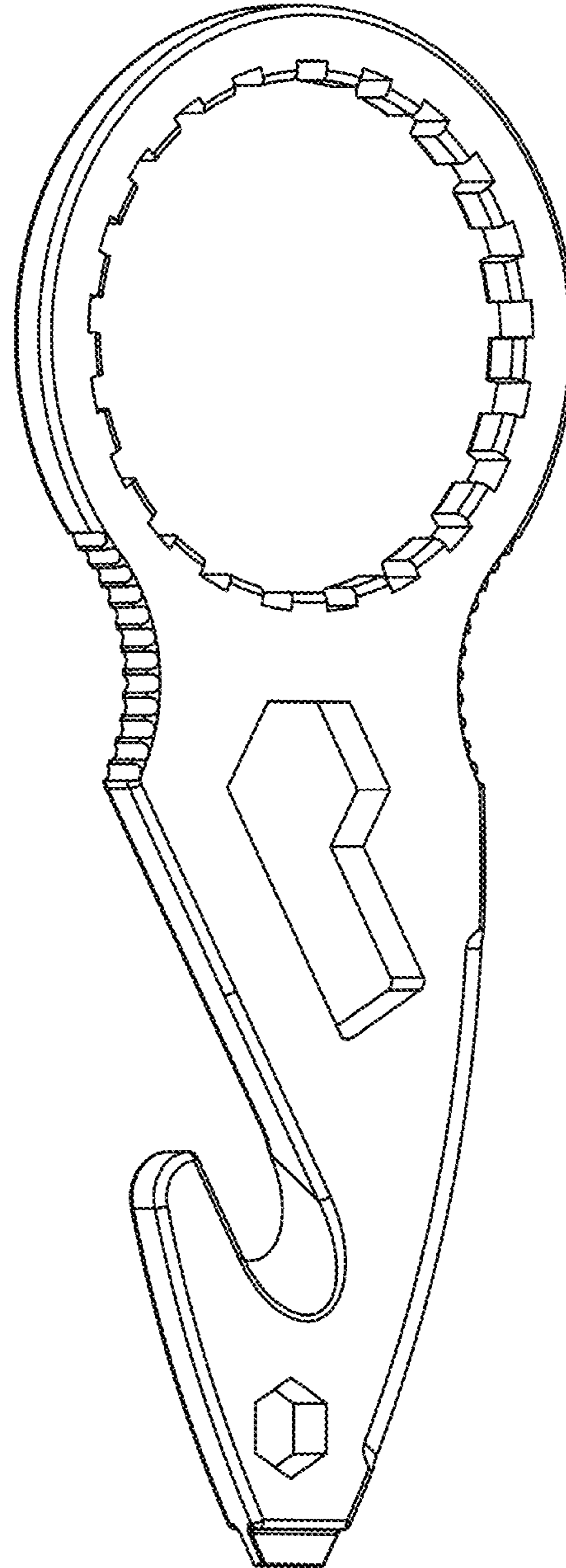
**FIG. 5**



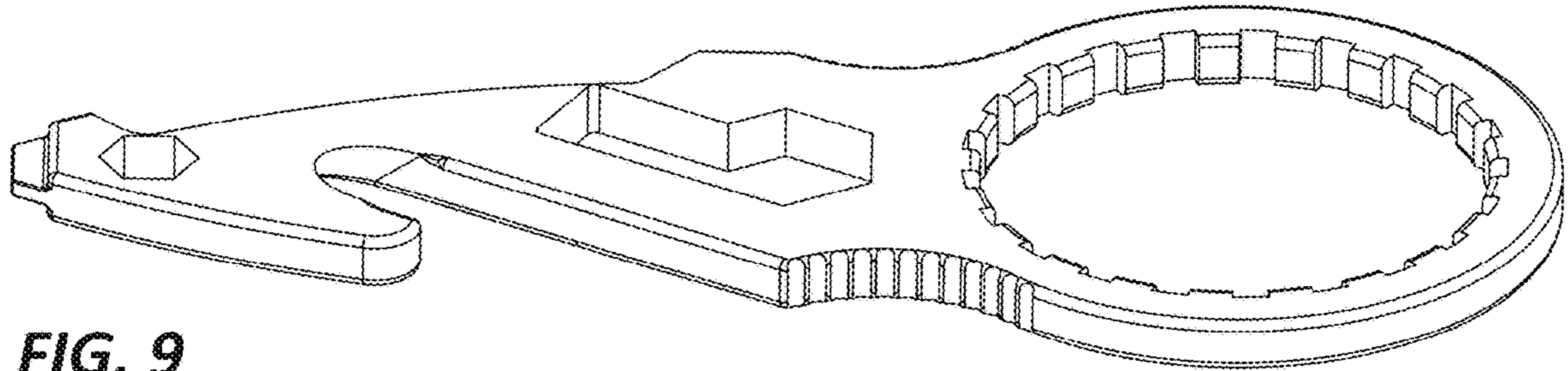
**FIG. 6**



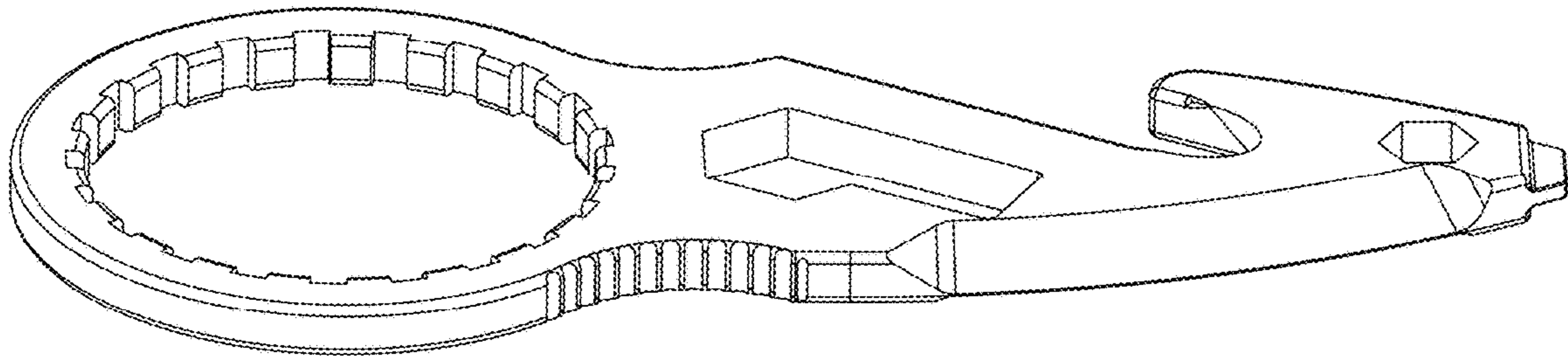
**FIG. 7**



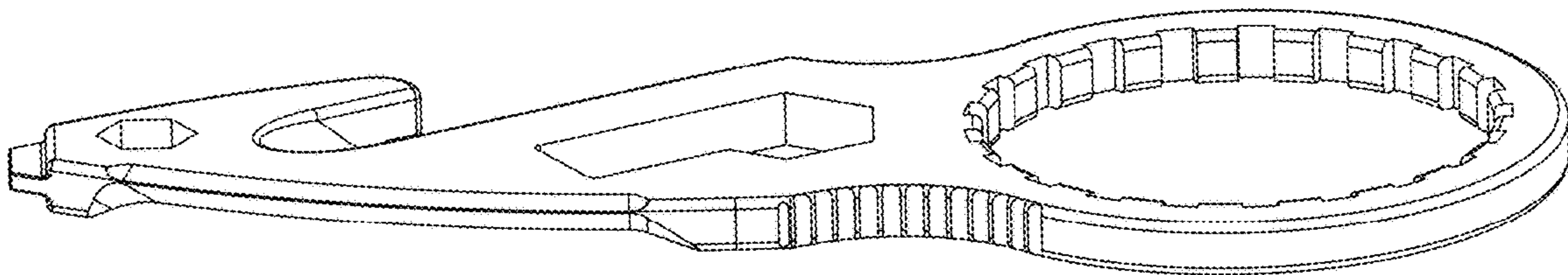
**FIG. 8**



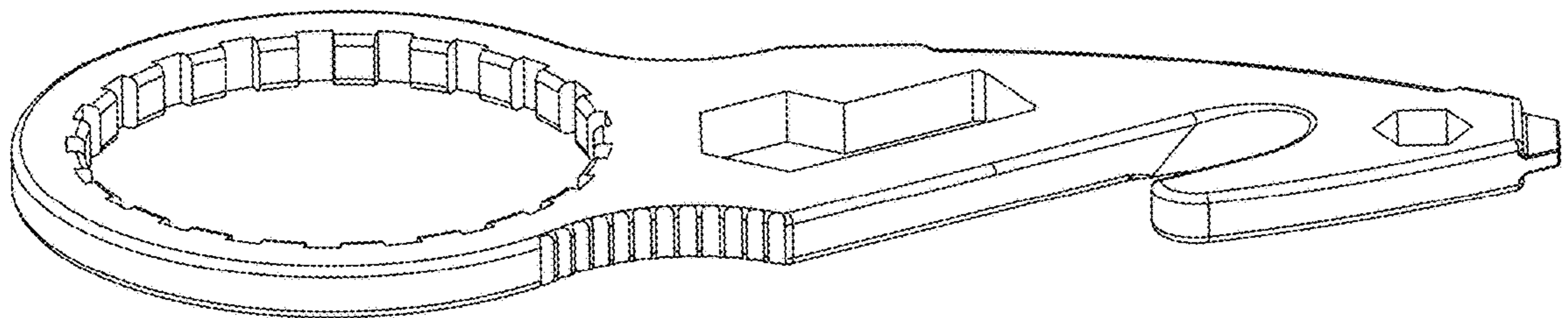
**FIG. 9**



**FIG. 10**



**FIG. 11**



**FIG. 12**