



US00D983638S

(12) **United States Design Patent**
Vuu

(10) **Patent No.:** **US D983,638 S**

(45) **Date of Patent:** **** Apr. 18, 2023**

(54) **NIPPER SHARPENER**

(71) Applicant: **Henry Vuu**, Westminster, CA (US)

(72) Inventor: **Henry Vuu**, Westminster, CA (US)

(**) Term: **15 Years**

(21) Appl. No.: **29/780,682**

(22) Filed: **Apr. 26, 2021**

(51) **LOC (14) Cl.** **08-05**

(52) **U.S. Cl.**

USPC **D8/91**

(58) **Field of Classification Search**

USPC D8/91, 93; 451/193, 279

CPC A45D 29/02; B24D 15/081; B24D 15/06;

B24D 15/063; B24D 15/105; B24B 3/50;

B24B 3/52; B24B 3/60; B24B 41/066;

B24B 3/36; B24B 3/543

See application file for complete search history.

(56) **References Cited**

U.S. PATENT DOCUMENTS

1,415,375 A * 5/1922 Luebben B24B 3/543

451/361

1,519,661 A * 12/1924 Brix B24B 3/36

451/201

1,554,496 A * 9/1925 Gastonguay B24D 15/105

30/32

1,558,194 A * 10/1925 Luebben B24B 3/543

451/486

1,609,313 A * 12/1926 Schildknecht B24D 15/06

76/82

1,904,075 A * 4/1933 Petrich B24D 15/063

76/82.2

2,082,755 A * 6/1937 Polney B24D 15/105

451/316

3,258,880 A * 7/1966 Garin G05G 7/08

451/279

4,078,338 A * 3/1978 Baughcom B24D 15/06

451/45

D250,086 S * 10/1978 Granberg D8/91

4,216,627 A * 8/1980 Westrom B24D 15/063

451/175

D287,815 S * 1/1987 Johannsen D8/93

(Continued)

FOREIGN PATENT DOCUMENTS

CN 300730943 * 1/2008

CN 301957591 * 6/2012

(Continued)

OTHER PUBLICATIONS

Nail Sharpener [online], [the publication date is Jan. 4, 2022].
[Retrieved from the internet on Dec. 29, 2022]. URL: <<https://www.youtube.com/watch?v=wgC0I4lv4oo>>. (Year: 2022).*

Primary Examiner — Karen E Eldridge Powers

Assistant Examiner — Margaret Leah Bryan

(57) **CLAIM**

The ornamental design for the nipper sharpener, as shown and described.

DESCRIPTION

FIG. 1 is a front, top, and right-side perspective view of the nipper sharpener showing my new design;

FIG. 2 is a front elevational view thereof;

FIG. 3 is a right side elevational view thereof;

FIG. 4 is a rear elevational view thereof;

FIG. 5 is a left side elevational view thereof;

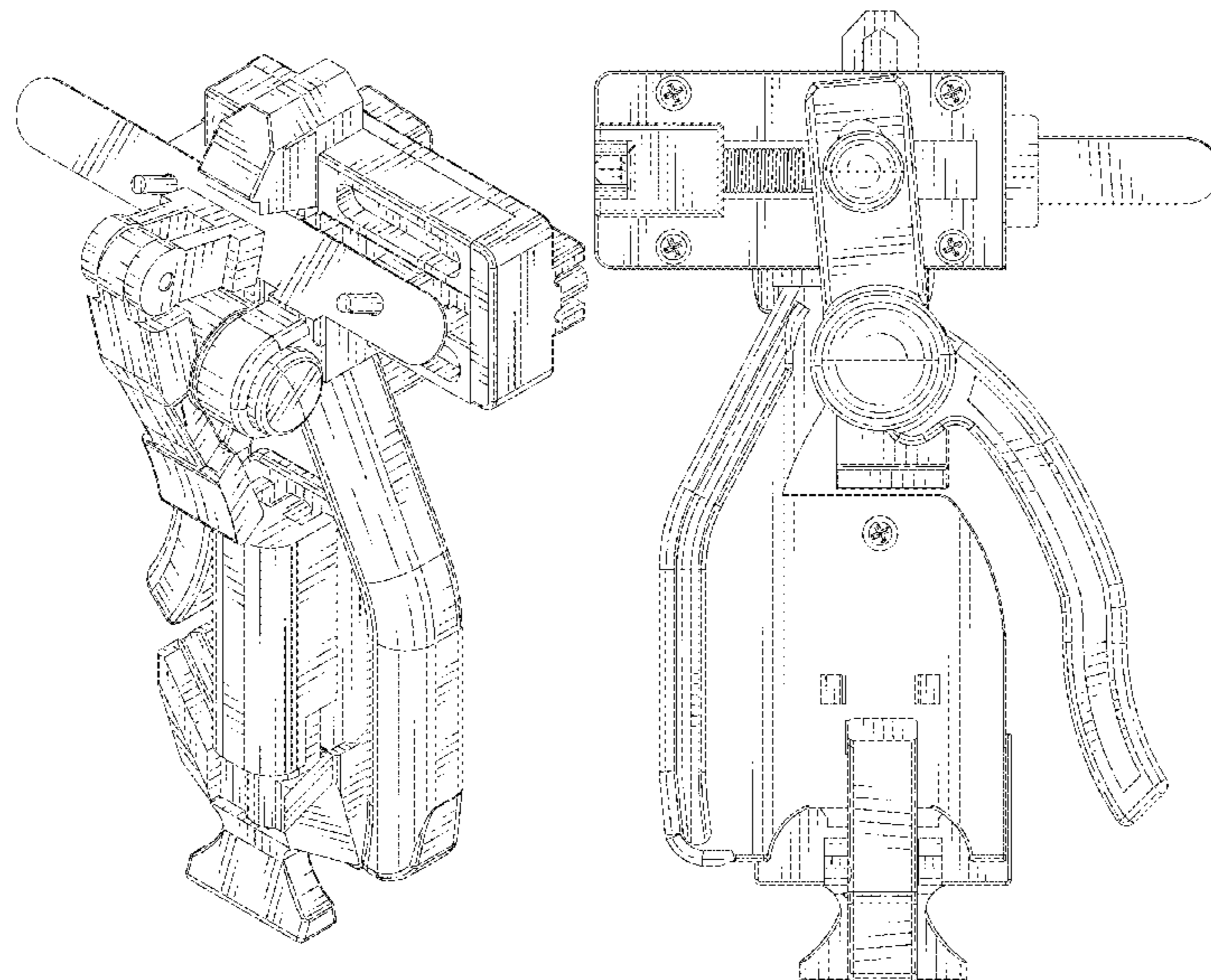
FIG. 6 is a top plan view thereof;

FIG. 7 is a bottom plan view thereof; and,

FIG. 8 is a bottom, rear, and right-side perspective view thereof.

The broken lines showing openings in FIGS. 1 & 2 are included for the purpose of showing environmental structure and form no part of the claimed design.

1 Claim, 8 Drawing Sheets



(56)

References Cited

U.S. PATENT DOCUMENTS

5,291,690 A * 3/1994 Pike B24B 41/066
269/45
5,775,180 A * 7/1998 Parke B24B 3/36
76/85
D409,891 S * 5/1999 Friel D8/93
6,881,137 B2 * 4/2005 Friel, Sr. B24D 15/08
451/193
D513,955 S * 1/2006 Friel, Sr. D8/91
D519,815 S * 5/2006 Friel, Sr. D8/91
D604,134 S * 11/2009 Smith D8/93
9,061,391 B2 * 6/2015 Wittenborn B24B 3/36
2020/0009700 A1 * 1/2020 Nguyen B24B 41/066
2020/0324382 A1 * 10/2020 Le A45D 29/02

FOREIGN PATENT DOCUMENTS

CN 303100151 * 2/2015
CN 303672495 * 5/2016

* cited by examiner

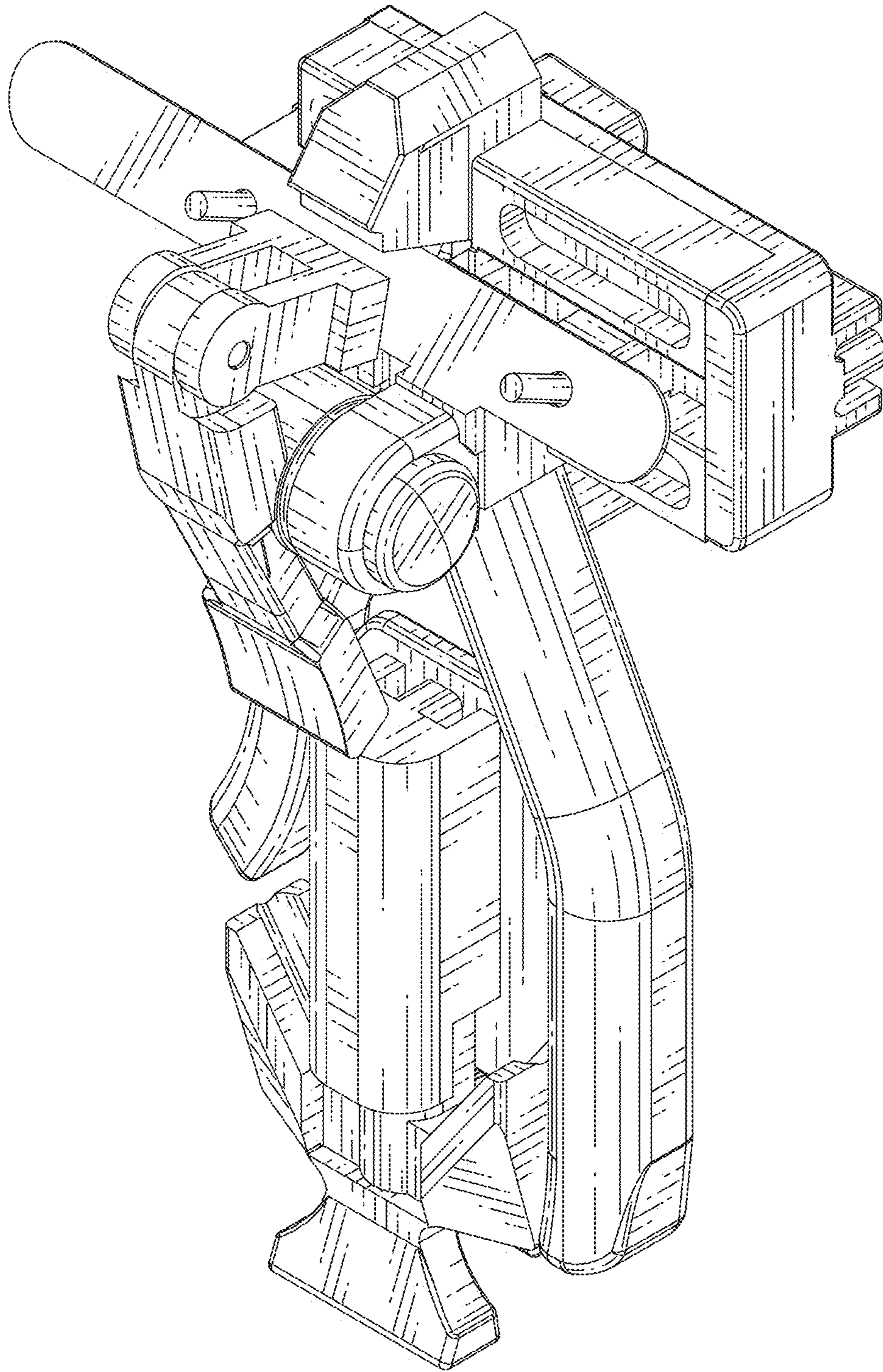


FIG. 1

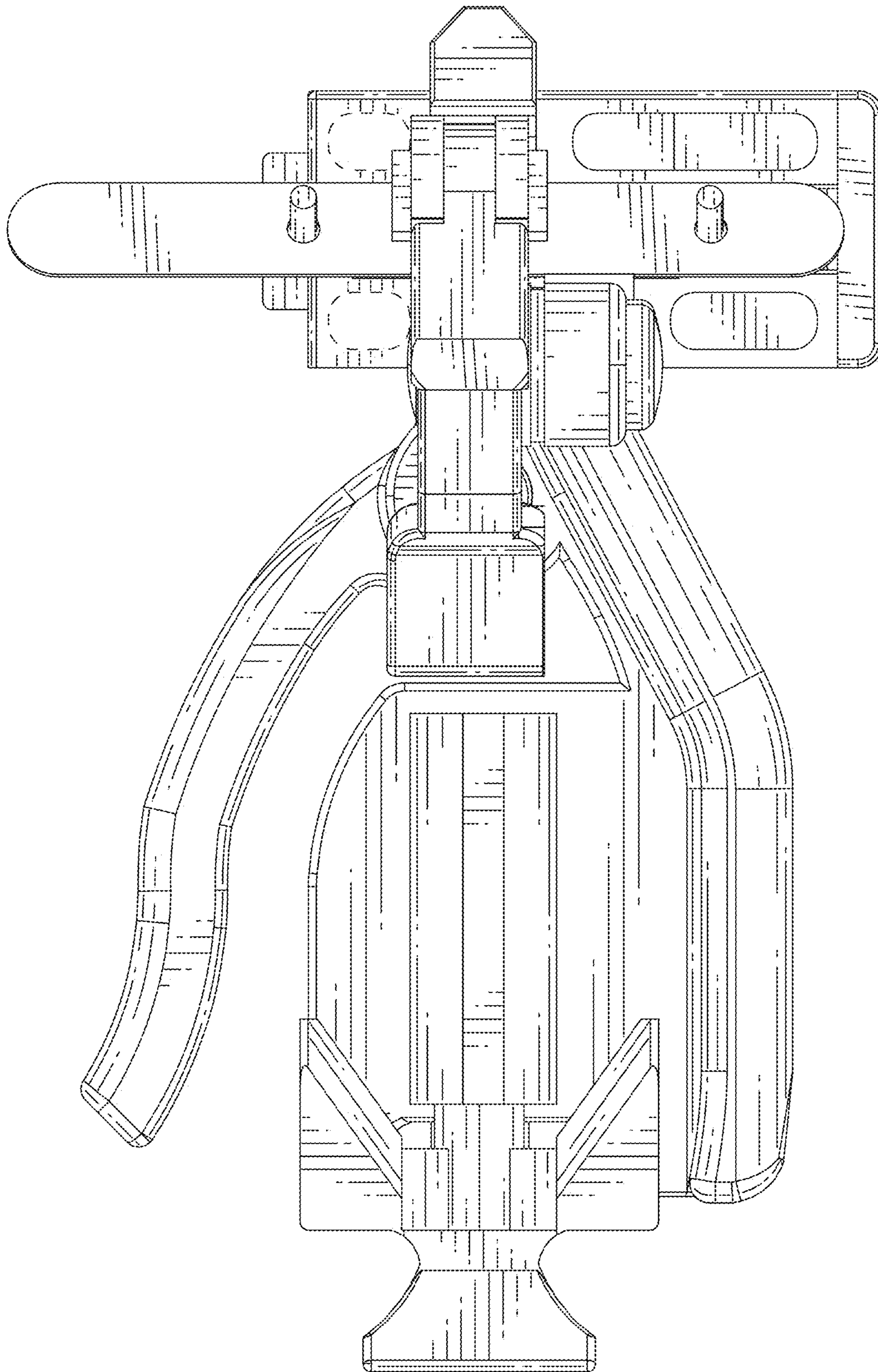


FIG. 2

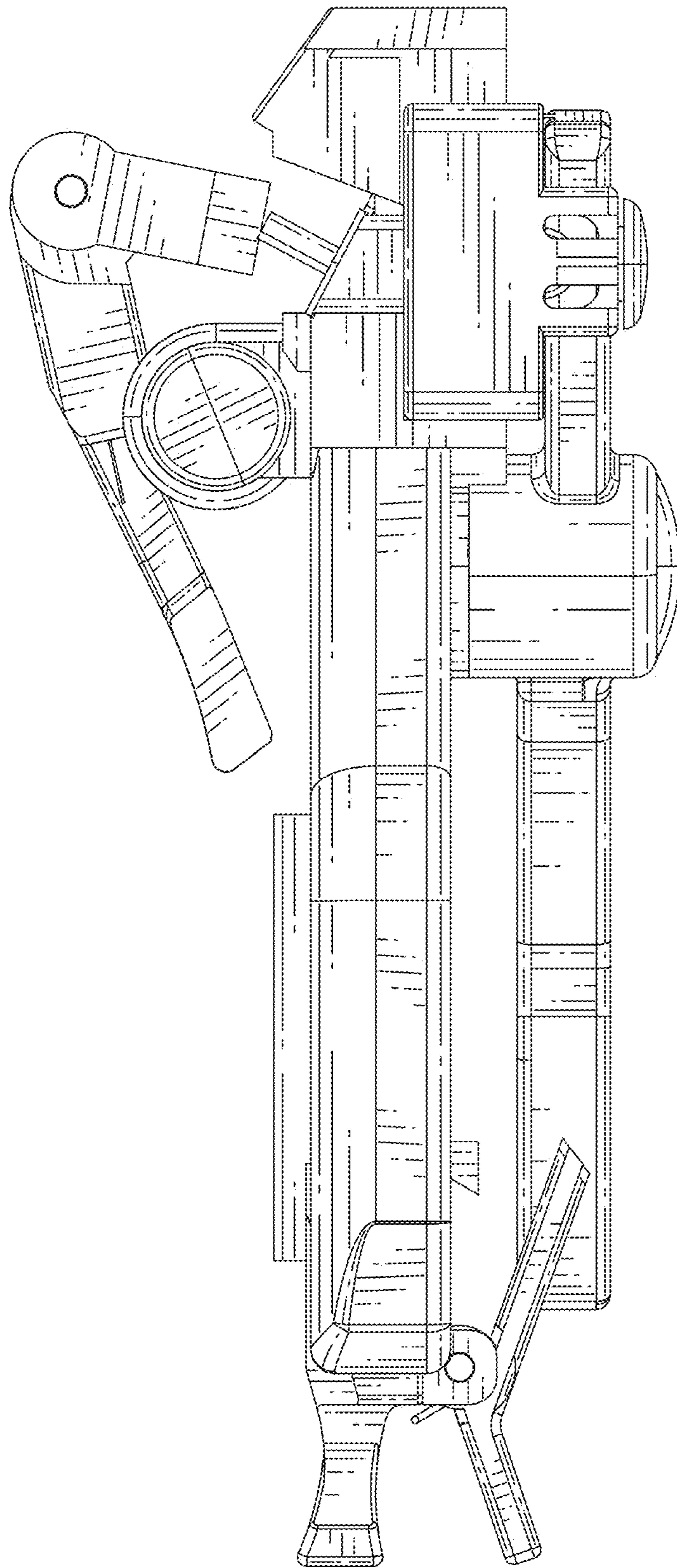


FIG. 3

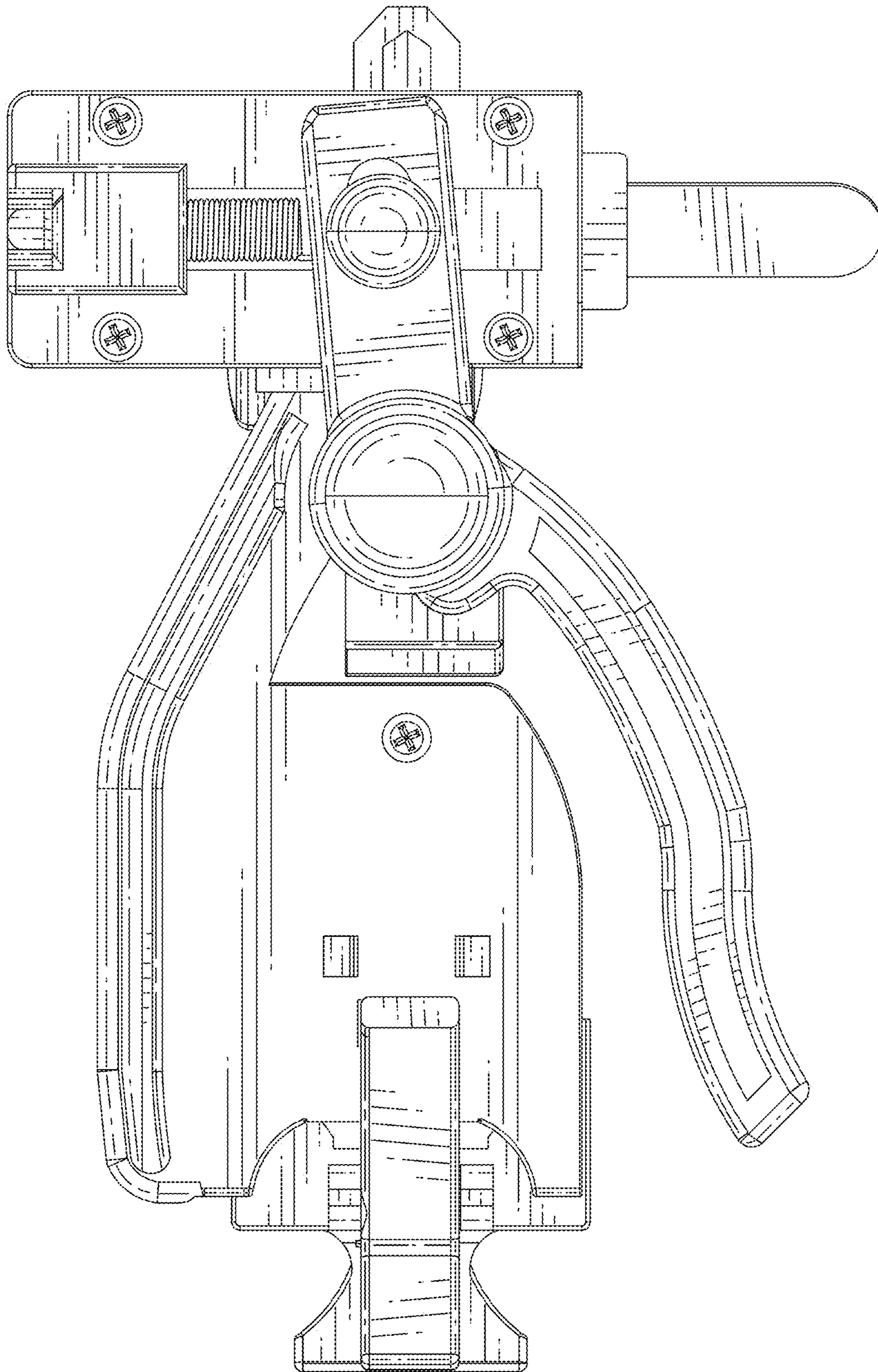


FIG. 4

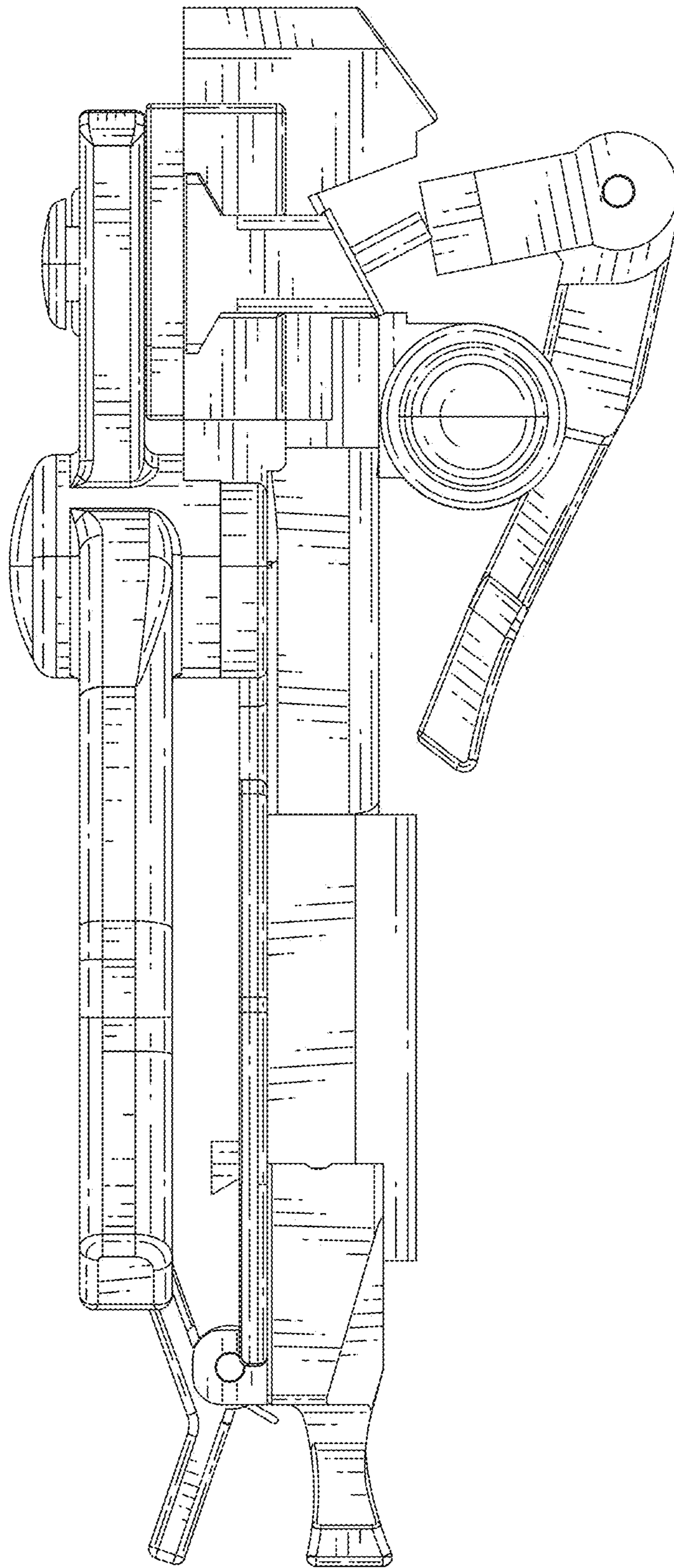


FIG. 5

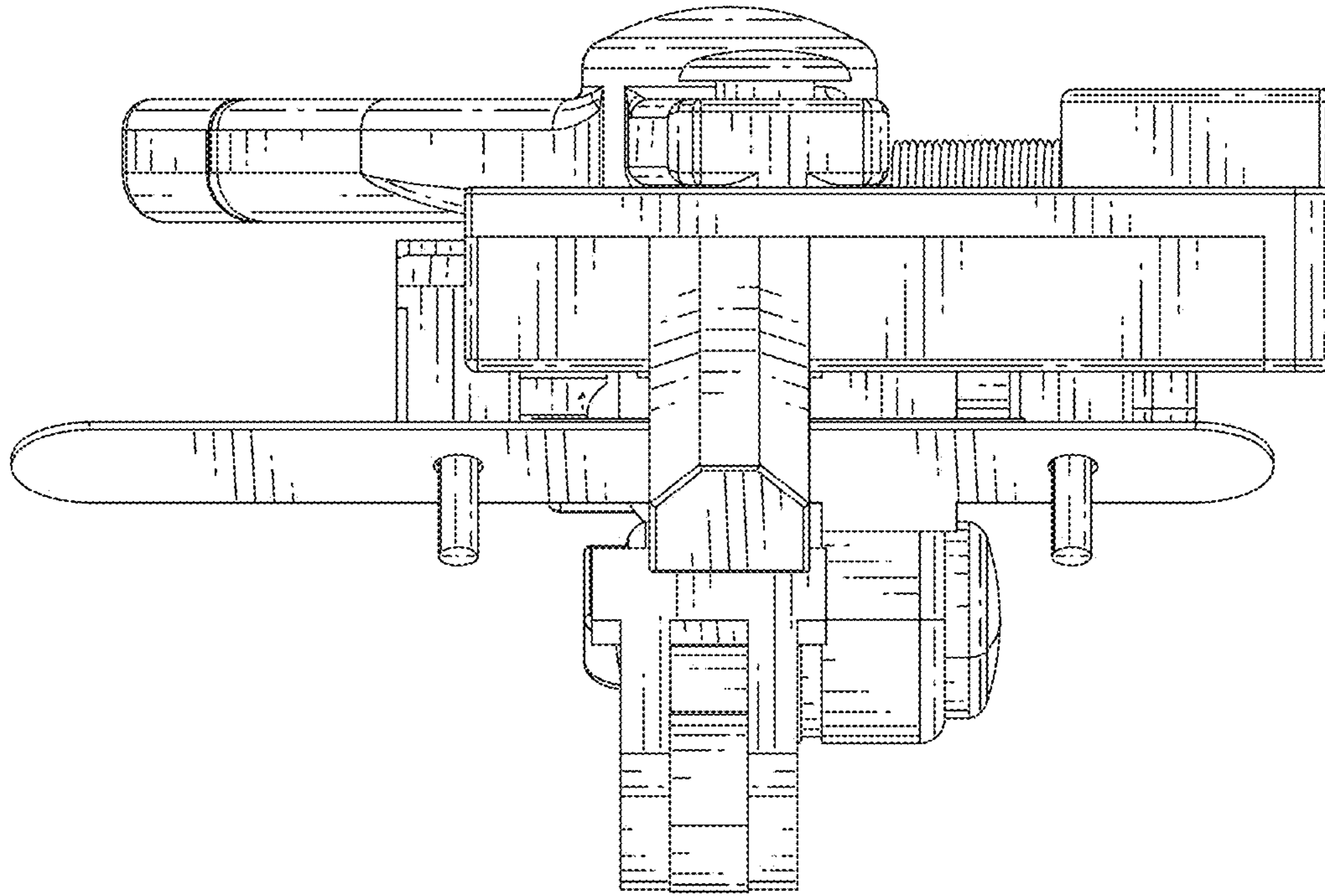


FIG. 6

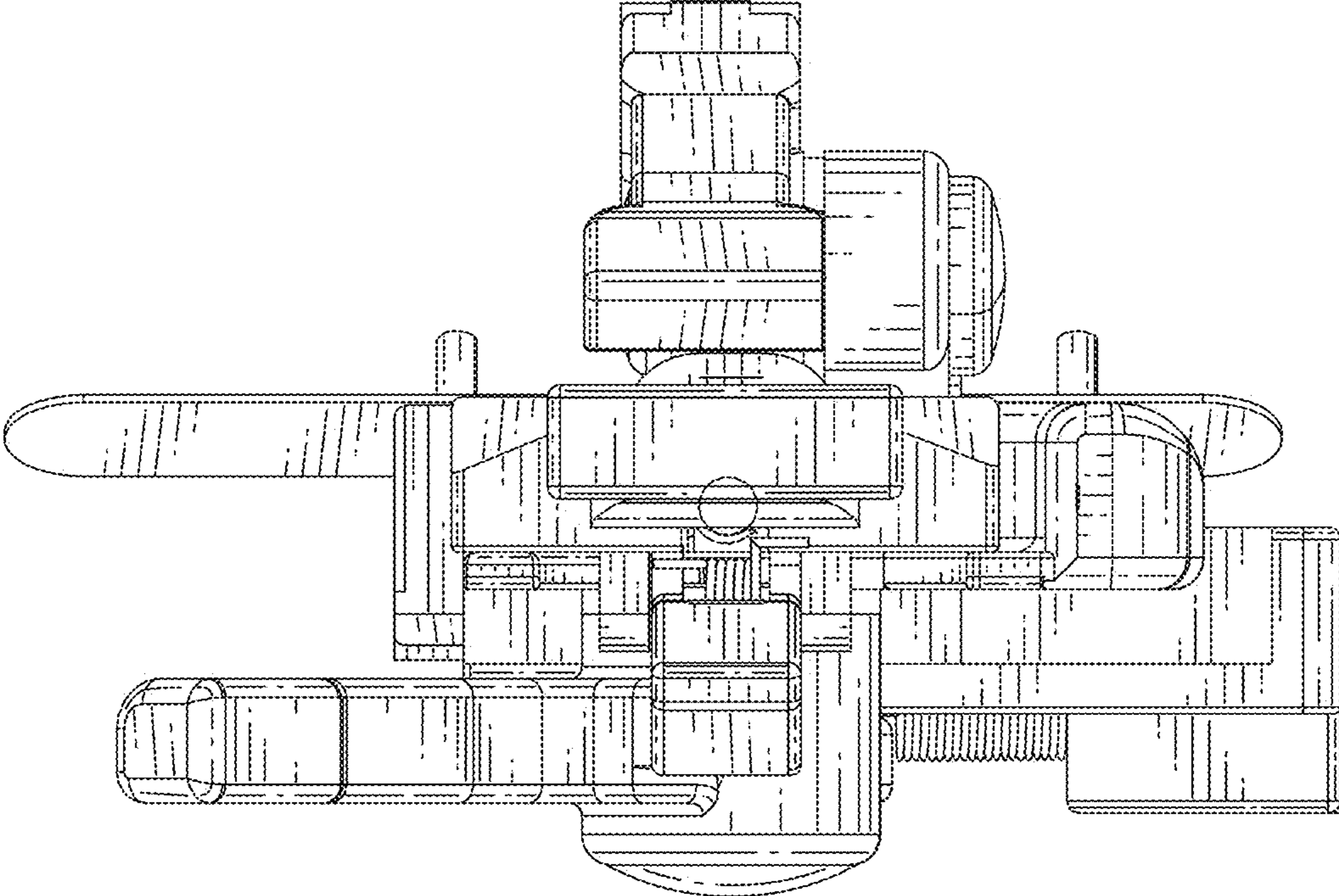


FIG. 7

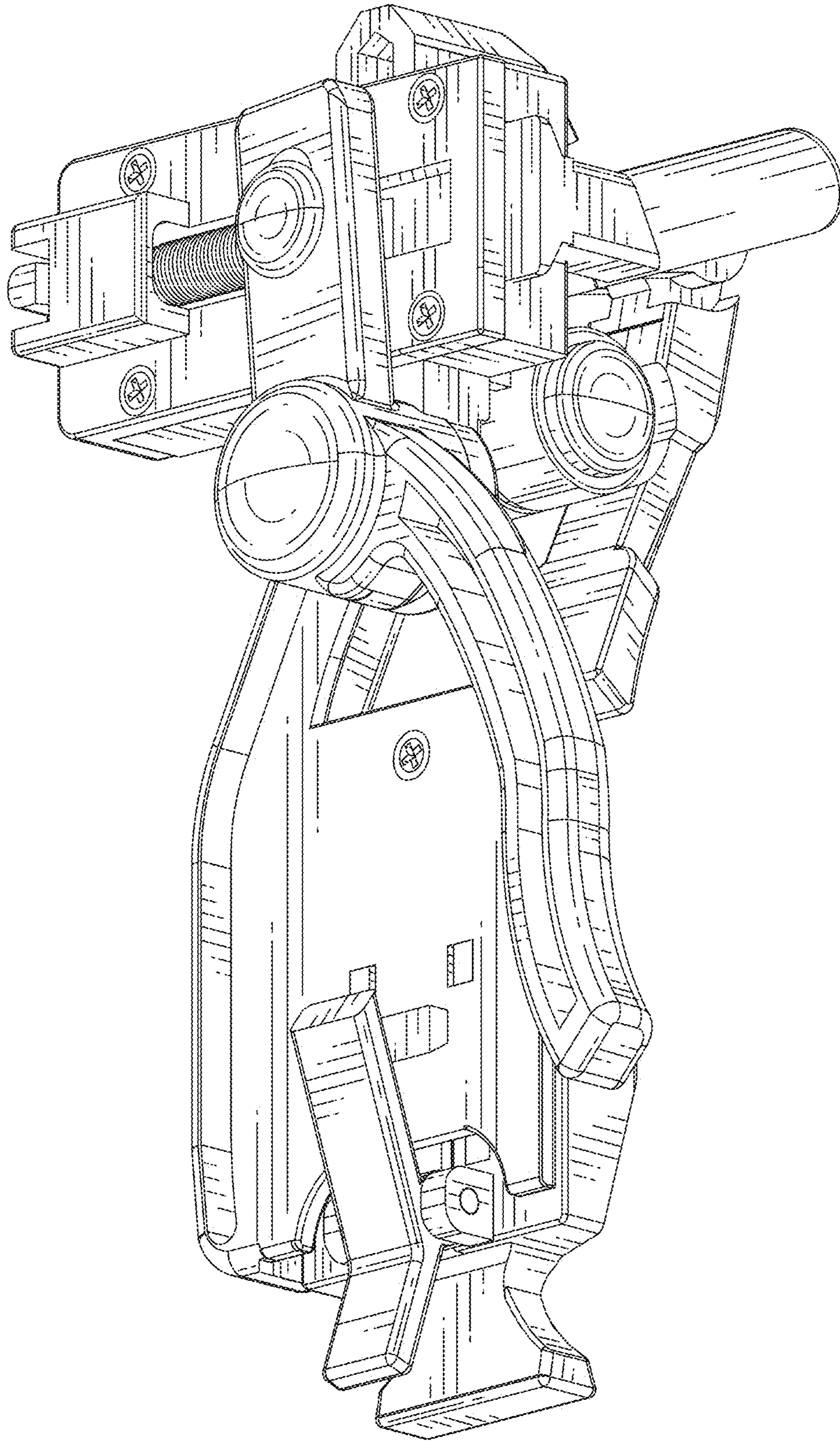


FIG. 8