



US00D983637S

(12) **United States Design Patent** (10) **Patent No.:** **US D983,637 S**
Li (45) **Date of Patent:** **** Apr. 18, 2023**

(54) **HANDHELD LIFTING TOOL**
(71) Applicant: **Yong Li**, Hubei Province (CN)
(72) Inventor: **Yong Li**, Hubei Province (CN)
(**) Term: **15 Years**
(21) Appl. No.: **29/861,661**
(22) Filed: **Dec. 1, 2022**
(51) **LOC (14) Cl.** **08-05**
(52) **U.S. Cl.**
USPC **D8/72**
(58) **Field of Classification Search**
USPC D8/394, 399, 59, 72, 71, 14
CPC . B25B 5/00; B25B 5/068; F16B 2/185; B30B
15/064
See application file for complete search history.

(56) **References Cited**
U.S. PATENT DOCUMENTS
8,882,093 B2 * 11/2014 Kuo B25B 5/068
269/6
9,579,775 B2 * 2/2017 Noniewicz F16B 2/185
D871,883 S * 1/2020 Diaz D8/72
D884,448 S * 5/2020 Weinberg D8/72
D888,522 S * 6/2020 Howseman, Jr. D15/199
D945,849 S * 3/2022 Chen D8/72
11,273,536 B2 * 3/2022 Chen B25B 5/068
D947,639 S * 4/2022 Grimes D8/71
D960,679 S * 8/2022 Zhou D22/108
D969,584 S * 11/2022 Huang D8/72
D975,517 S * 1/2023 Hankin D8/72
2020/0316894 A1 * 10/2020 Concilla B30B 15/064
2022/0288749 A1 * 9/2022 Chen B25B 5/068
2023/0023173 A1 * 1/2023 Zhu B25B 5/068

OTHER PUBLICATIONS
https://www.amazon.com/Elevator-Installing-Windows-Cabinet-Furniture/dp/B09TT275NG/ref=asc_df_B09TT275NG/?tag=hyprod-20&linkCode=df0&hvadid=601105829902&hvpos=&hvnetw=g

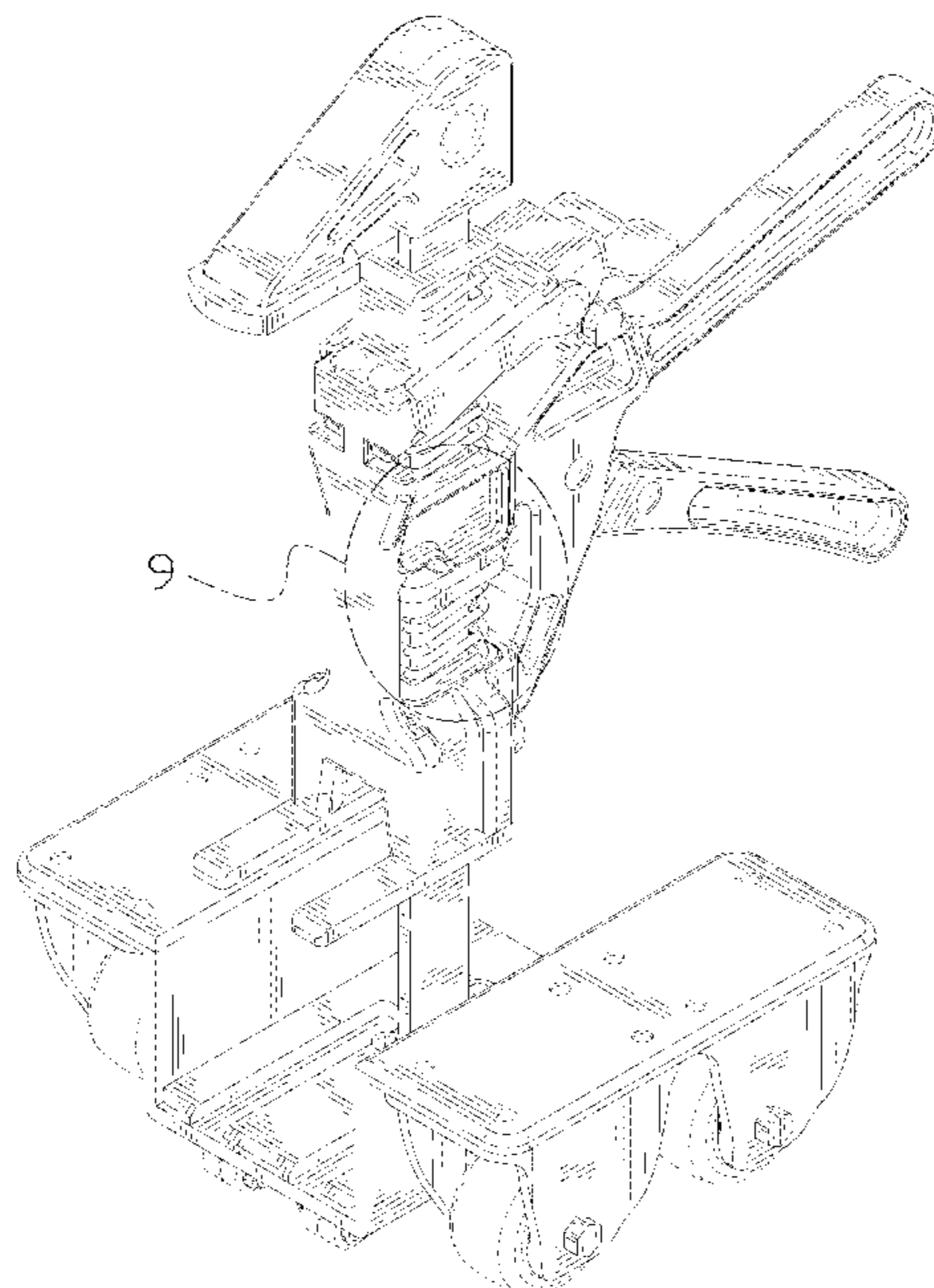
&hvrand=10670386946487999529&hvpone=&hvptwo=&hvqmt=&hvdev=c&hvdvcmld=&hvlocint=&hvlocphy=9031286&hvtargid=pla-1720118547536&th=1.

* cited by examiner
Primary Examiner — Cynthia R Underwood
(74) *Attorney, Agent, or Firm* — Justin Lampel

(57) **CLAIM**
The ornamental design for a handheld lifting tool, as shown and described.

DESCRIPTION
FIG. 1 is a perspective view of a handheld lifting tool showing the claimed design;
FIG. 2 is another perspective view of a handheld lifting tool showing the claimed design;
FIG. 3 is a front elevational view thereof;
FIG. 4 is a rear elevational view thereof;
FIG. 5 is a left side view thereof;
FIG. 6 is a right side view thereof;
FIG. 7 is a top plan view thereof;
FIG. 8 is a bottom plan view thereof;
FIG. 9 is a partial enlarged view of an area labeled 9 in FIG. 1; and,
FIG. 10 is another partial enlarged view of an area labeled 10 in FIG. 2.
The broken lines illustrate portions of the handheld lifting tool that form no part of the claimed design. The dot-dash label lines in FIGS. 9 and 10 also form no part of the claimed design.

1 Claim, 10 Drawing Sheets



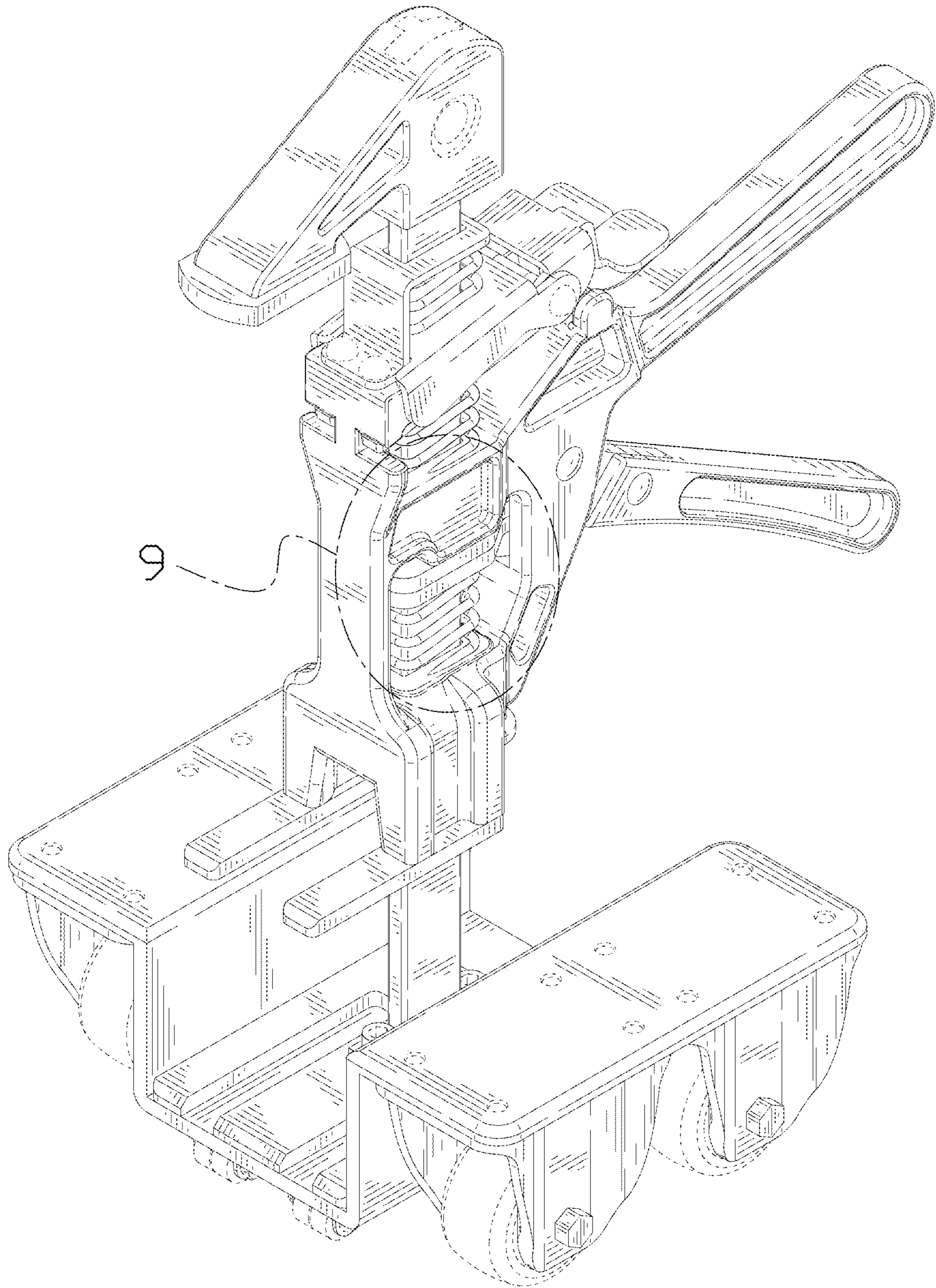


FIG. 1

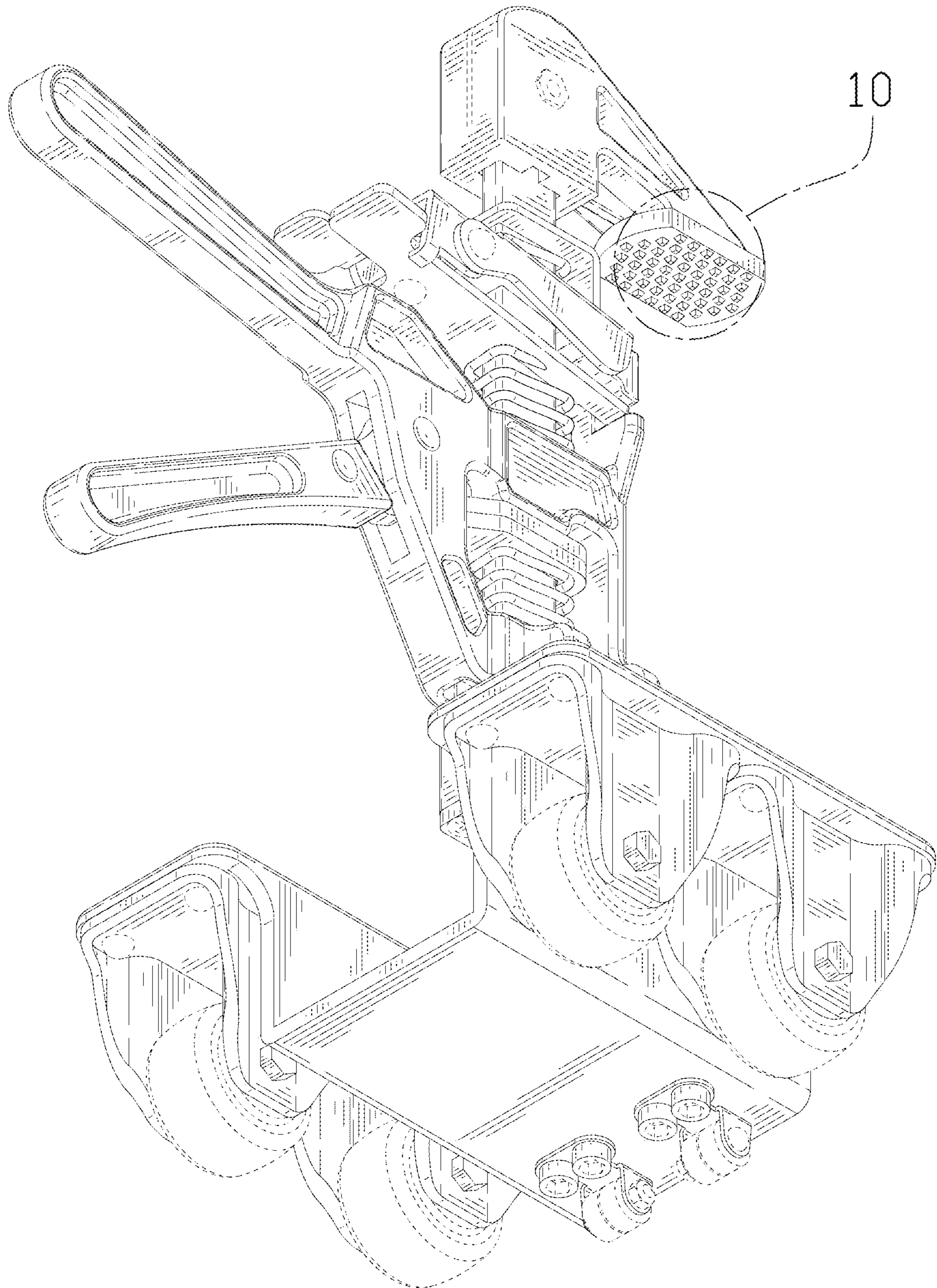


FIG. 2

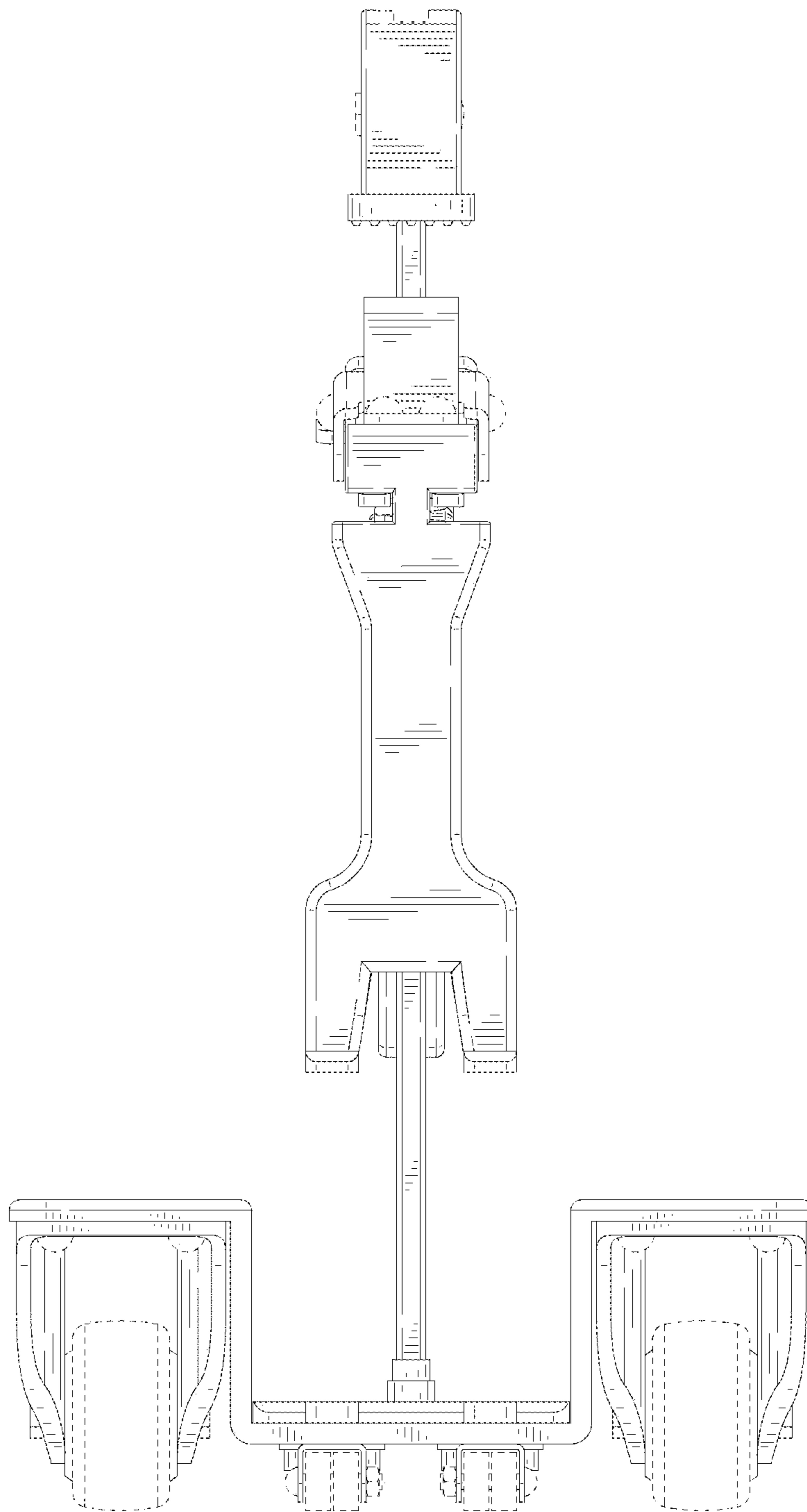


FIG. 3

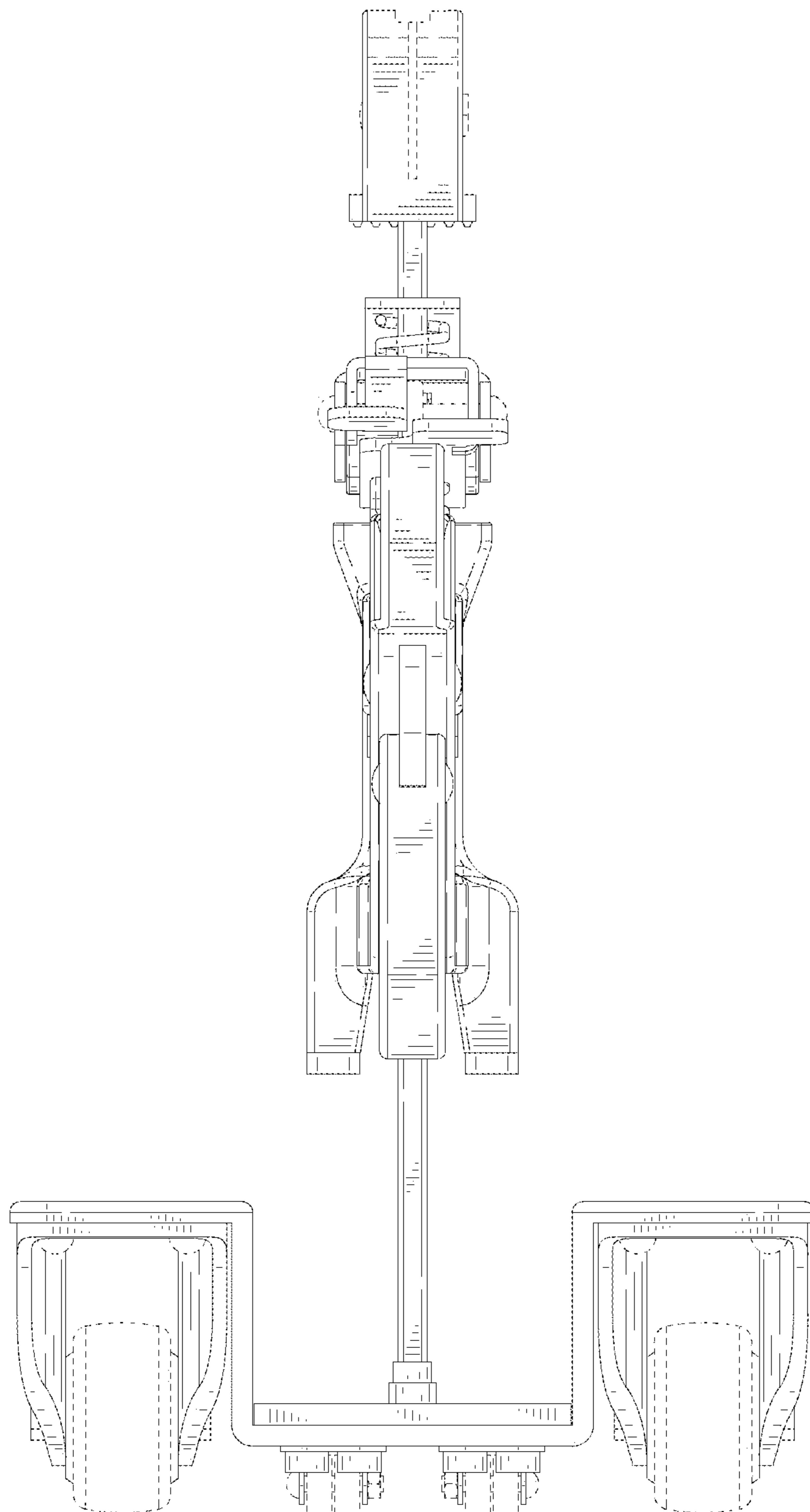


FIG. 4

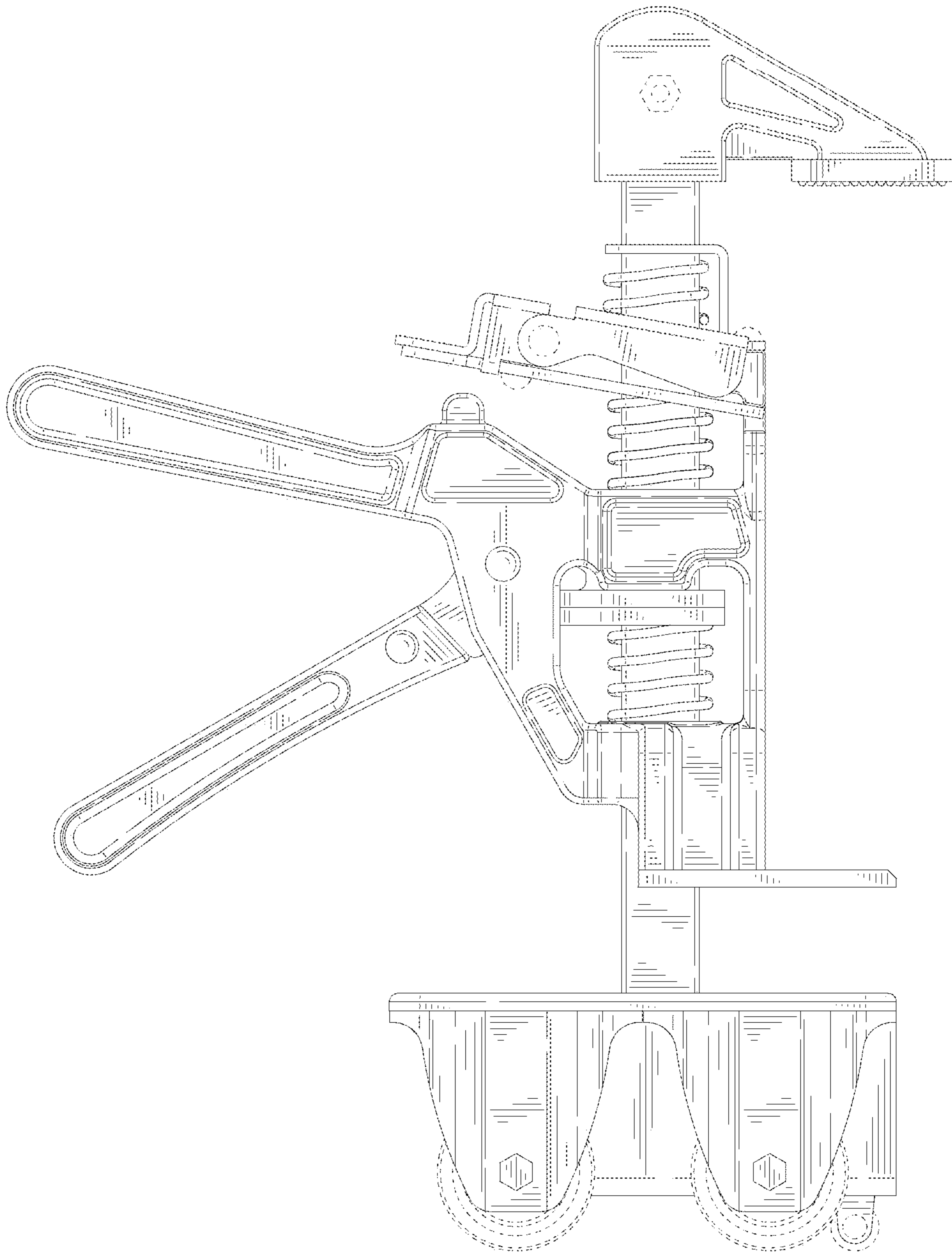


FIG. 5

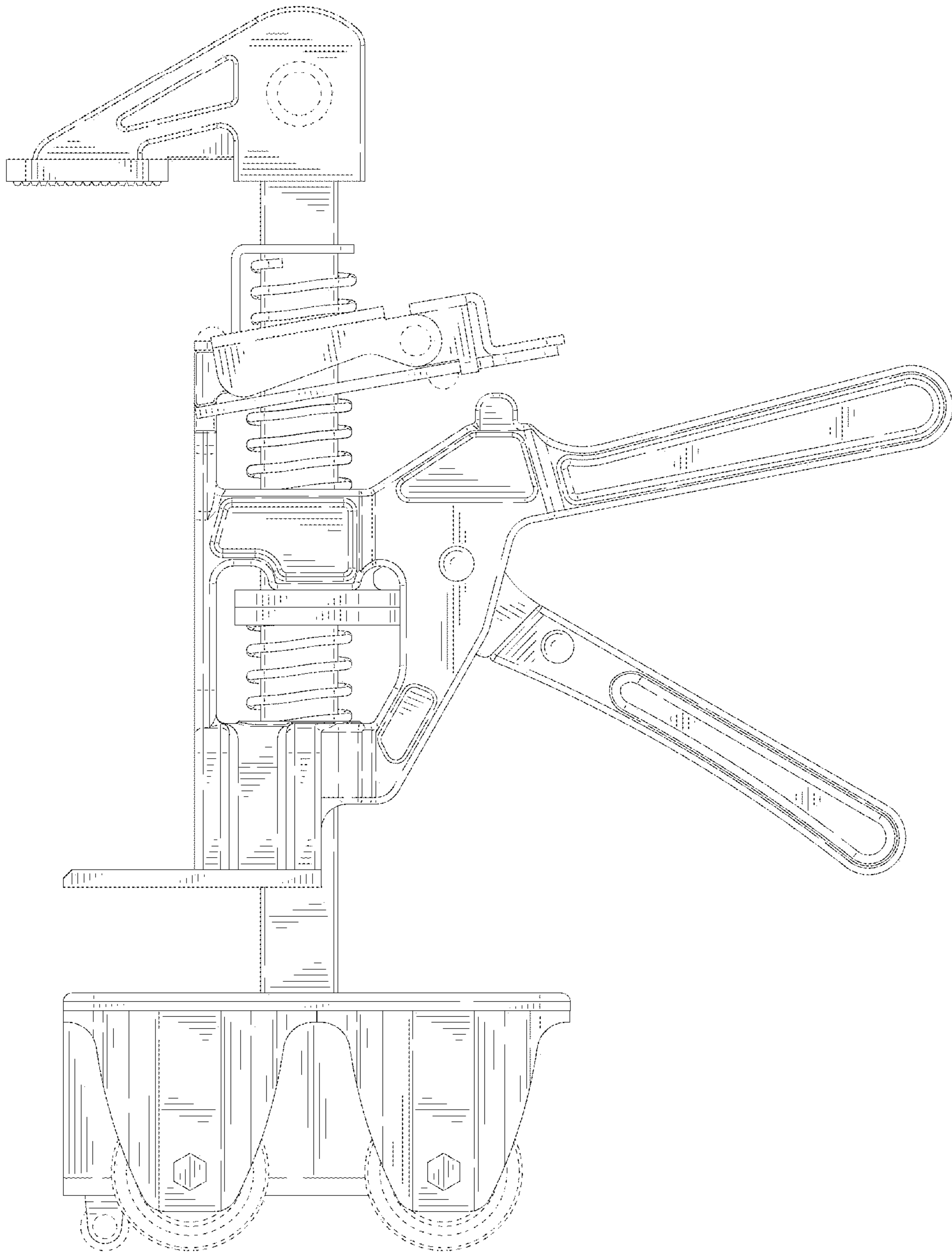


FIG. 6

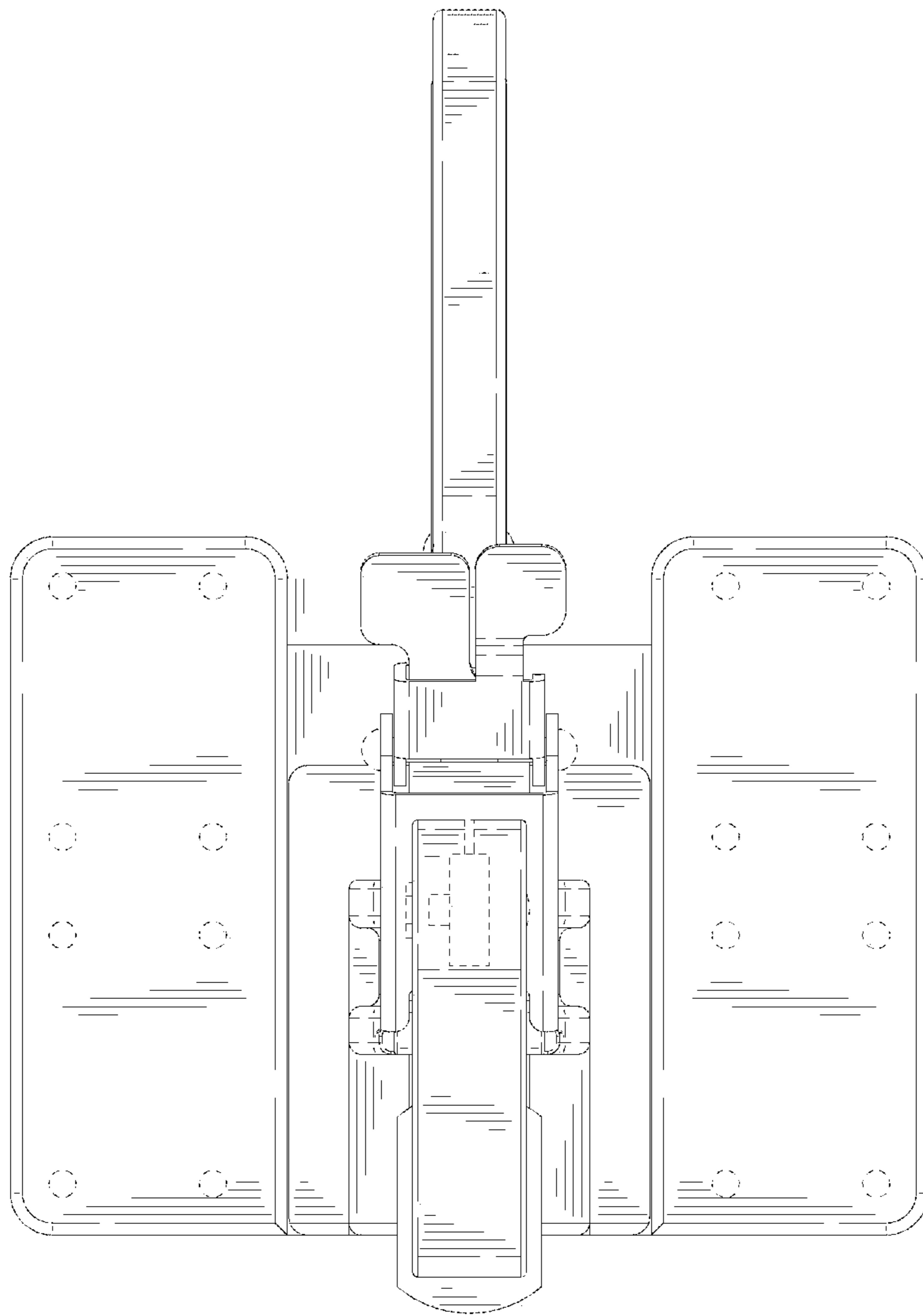


FIG. 7

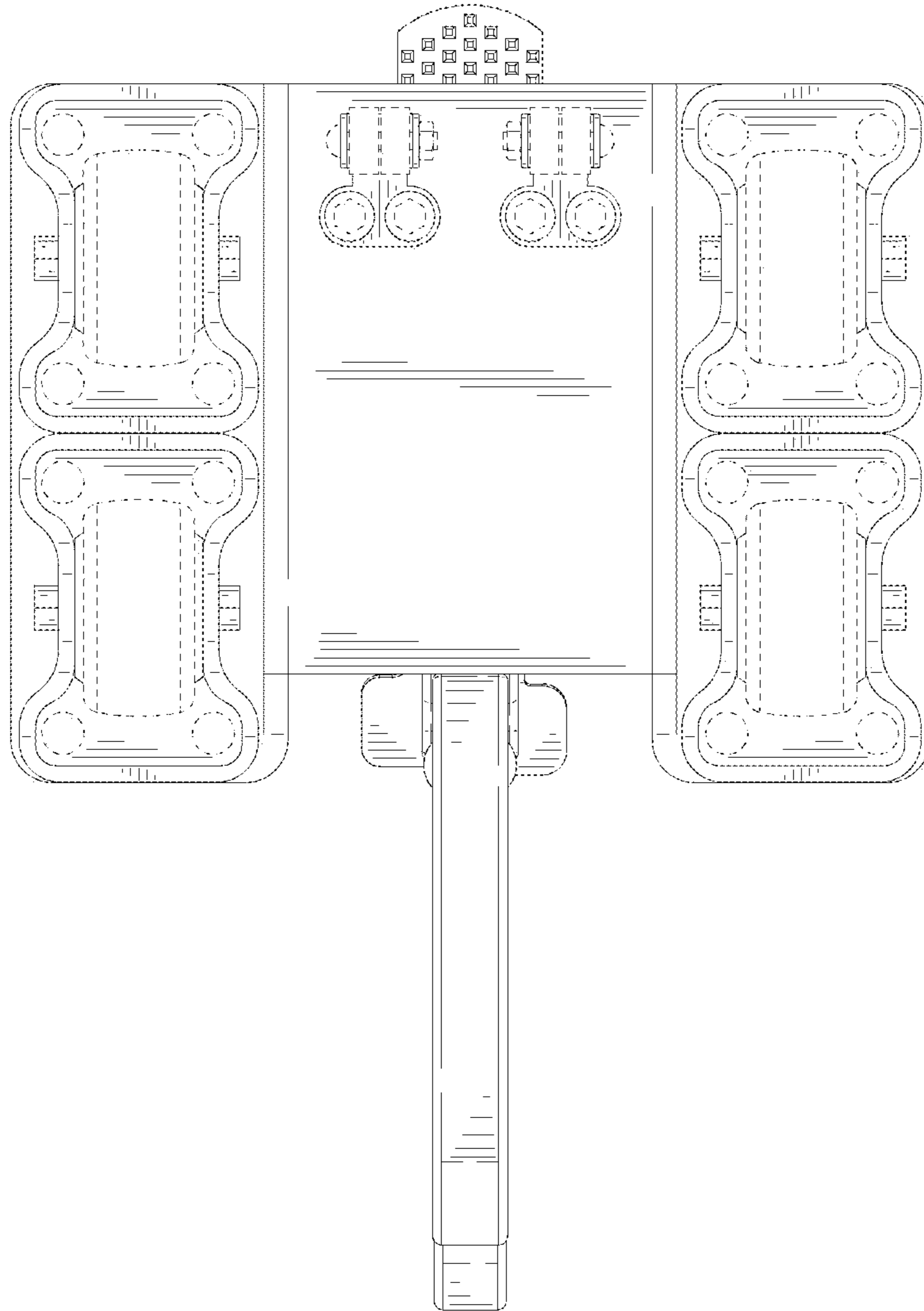


FIG. 8

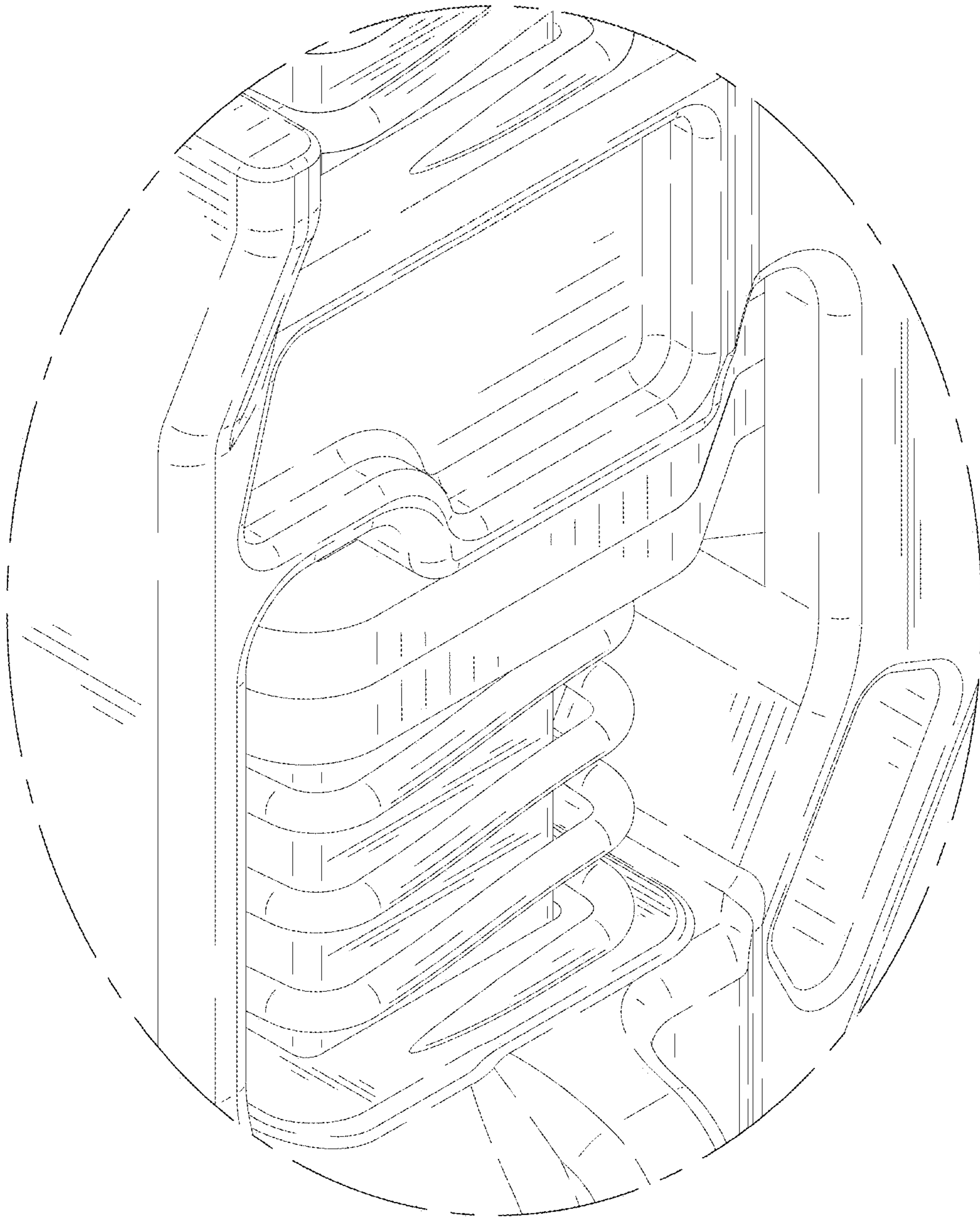


FIG. 9

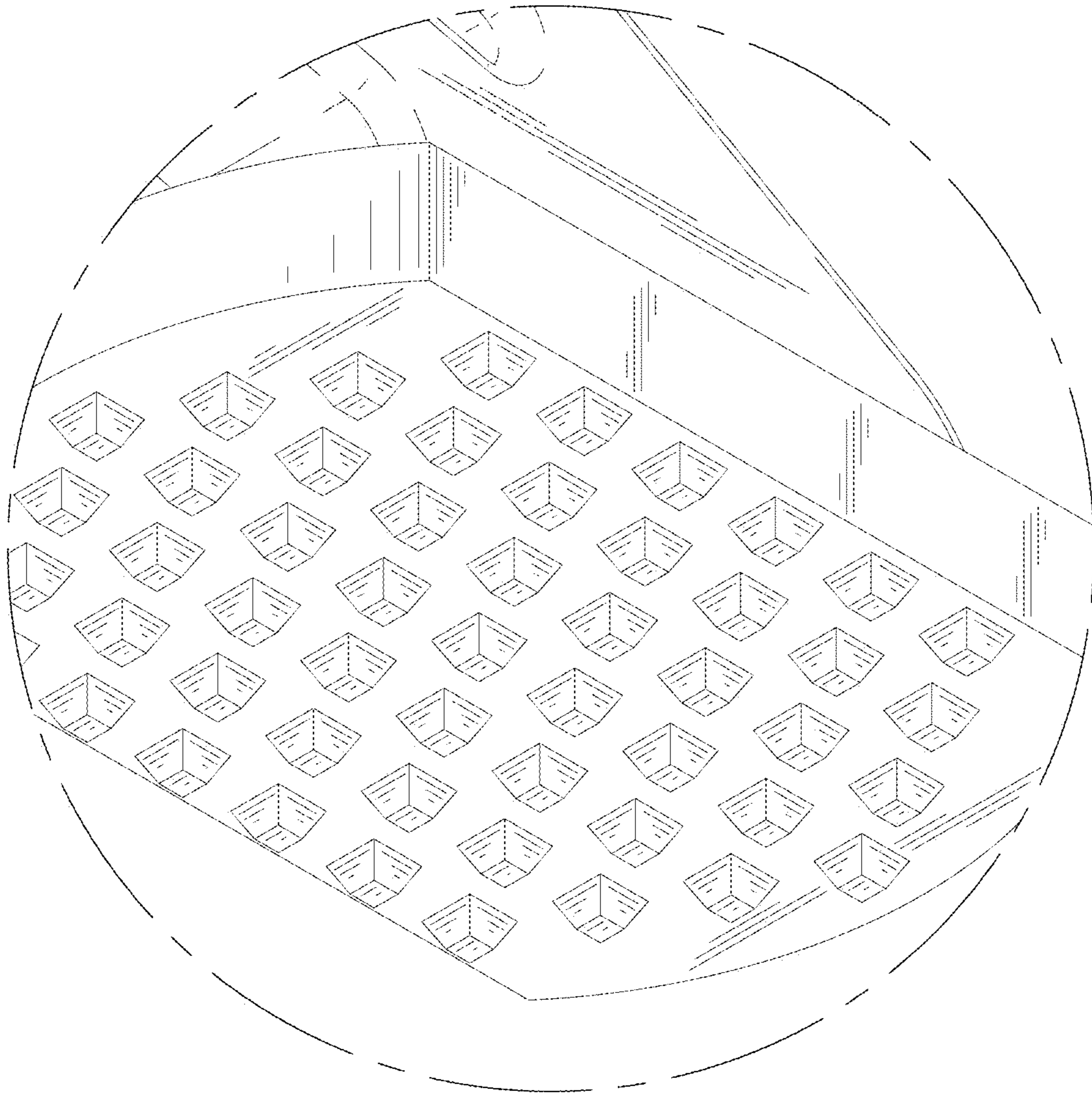


FIG. 10