



US00D983635S

(12) **United States Design Patent**
Jerabek et al.

(10) **Patent No.:** **US D983,635 S**
(45) **Date of Patent:** **** Apr. 18, 2023**

(54) **ROTARY POWER TOOL CHUCK**

- (71) Applicant: **TECHTRONIC CORDLESS GP**, Anderson, SC (US)
- (72) Inventors: **Jesse J. Jerabek**, Easley, SC (US); **Nicholas S. Norton**, Anderson, SC (US); **Kenneth M. Brazell**, Piedmont, SC (US); **Daniel Hounsell**, Greenville, SC (US)
- (73) Assignee: **Techtronic Cordless GP**, Anderson, SC (US)
- (**) Term: **15 Years**
- (21) Appl. No.: **29/736,880**
- (22) Filed: **Jun. 3, 2020**
- (51) **LOC (14) Cl.** **08-05**
- (52) **U.S. Cl.**
USPC **D8/70**
- (58) **Field of Classification Search**
USPC D8/25, 68, 70

(Continued)

(56) **References Cited**

U.S. PATENT DOCUMENTS

- 684,564 A * 10/1901 Butler B23B 31/1253
279/64
- 709,014 A * 9/1902 Jacobs B23B 31/1238
279/62

(Continued)

OTHER PUBLICATIONS

“Albrecht 73040 Classic Plus Keyless Drill Chuck With Integral Shank”, Sep. 7, 2010, Amazon.com, site visited Apr. 18, 2022: <https://www.amazon.com/Albrecht-CP130-R8-Classic-Keyless-Integral/dp/B003V89XPG> (Year: 2 010).*

(Continued)

Primary Examiner — Jack Reickel

Assistant Examiner — Michael A Kervin
(74) *Attorney, Agent, or Firm* — Michael Best & Friedrich LLP

(57) **CLAIM**

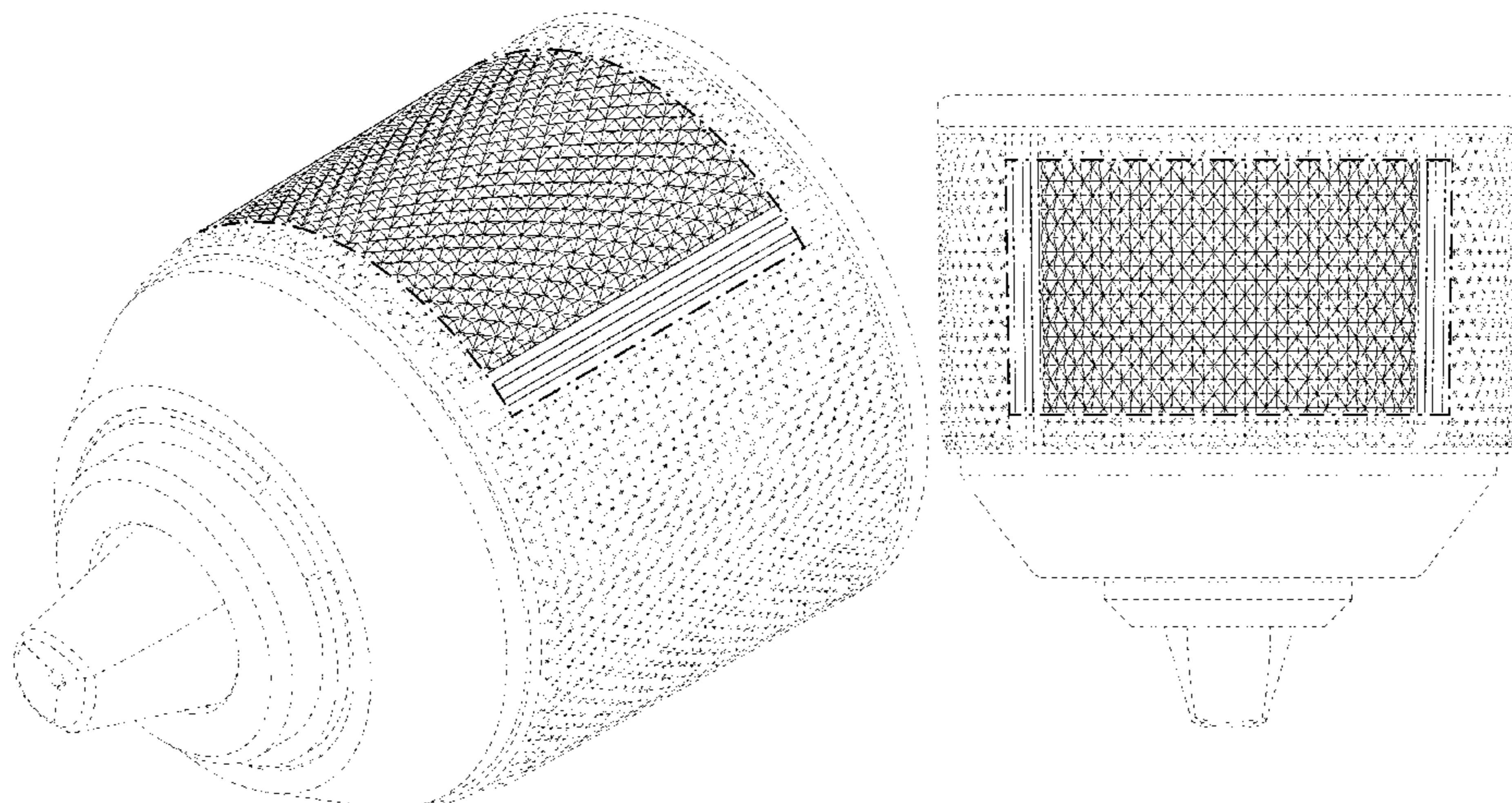
We claim the ornamental design for a rotary power tool chuck, as shown and described.

DESCRIPTION

- FIG. 1 is a front perspective view of a rotary power tool chuck in accordance with a first embodiment of the present invention.
- FIG. 2 is a left-side view of the rotary power tool chuck of FIG. 1.
- FIG. 3 is a right-side view of the rotary power tool chuck of FIG. 1.
- FIG. 4 is a front view of the rotary power tool chuck of FIG. 1.
- FIG. 5 is a rear view of the rotary power tool chuck of FIG. 1.
- FIG. 6 is a top view of the rotary power tool chuck of FIG. 1.
- FIG. 7 is a bottom view of the rotary power tool chuck of FIG. 1.
- FIG. 8 is a front perspective view of a rotary power tool chuck in accordance with a second embodiment of the present invention.
- FIG. 9 is a left-side view of the rotary power tool chuck of FIG. 8.
- FIG. 10 is a right-side view of the rotary power tool chuck of FIG. 8.
- FIG. 11 is a front view of the rotary power tool chuck of FIG. 8.
- FIG. 12 is a rear view of the rotary power tool chuck of FIG. 8.
- FIG. 13 is a top view of the rotary power tool chuck of FIG. 8; and,
- FIG. 14 is a bottom view of the rotary power tool chuck of FIG. 8.

The portions of the rotary power tool chuck shown in broken lines are included for the purpose of illustrating environment and form no part of the claimed design. The portions of the rotary power tool chuck shown in broken lines having

(Continued)



unequal length segments illustrate the boundary of the claimed design and form no part of the claimed design.

1 Claim, 8 Drawing Sheets

(58) Field of Classification Search

CPC B23B 31/1253; B23B 2231/38; B23B 31/1238; Y10T 279/17632; Y10S 279/902
See application file for complete search history.

(56) References Cited

U.S. PATENT DOCUMENTS

879,741 A * 2/1908 Coit B23B 31/1238
279/147
897,335 A * 9/1908 Almond B23B 31/1238
279/62
969,341 A * 9/1910 Cogswell B23B 31/1253
279/69
1,364,361 A * 1/1921 Emrick B23B 31/123
279/63
1,680,631 A * 8/1928 Palaith B23B 31/1253
279/58
1,839,252 A * 1/1932 O'Flaherty B23B 31/1253
279/65
1,970,056 A * 8/1934 O'Flaherty B23B 31/1253
279/65
1,985,586 A * 12/1934 Stoner B23B 31/1253
D15/140
D423,528 S * 4/2000 Sakamaki D15/140
D426,840 S * 6/2000 Sakamaki D15/140
D514,416 S * 2/2006 Watson D8/70

D542,815 S * 5/2007 Concari D15/140
D567,268 S * 4/2008 Mack D15/140
D569,208 S * 5/2008 Concari D8/70
D593,390 S * 6/2009 Sakamaki D15/140
D593,831 S * 6/2009 Van Wambeke D8/68
D609,072 S * 2/2010 Van Wambeke D8/68
D611,319 S * 3/2010 Van Wambeke D8/68
D673,437 S * 1/2013 Schoch D8/68
D735,007 S * 7/2015 Schenk D15/140
D735,549 S * 8/2015 Schenk D15/140
D741,134 S * 10/2015 Massey D15/140
D774,864 S * 12/2016 Uematsu D8/68
D837,011 S * 1/2019 Sakamaki D15/140
D837,012 S * 1/2019 Sakamaki D15/140
D837,013 S * 1/2019 Sakamaki D15/140
D837,014 S * 1/2019 Sakamaki D15/140
D878,887 S * 3/2020 Ellice D15/140
D895,388 S * 9/2020 Matteo D8/68
D895,389 S * 9/2020 Matteo D8/68
D897,177 S * 9/2020 Tschopp D8/68
D898,536 S * 10/2020 Li D8/68
D920,758 S * 6/2021 Yang D8/68
D932,858 S * 10/2021 Kuang D8/68
D937,063 S * 11/2021 Kawase D8/68
D944,068 S * 2/2022 Ellice D8/70
2002/0000698 A1 * 1/2002 Rohm B23B 31/1207
279/140

OTHER PUBLICATIONS

“Albrecht 70050 Classic Keyless Drill Chuck”, Sep. 7, 2010, Amazon.com, site visited Apr. 18, 2022: <https://www.amazon.com/Albrecht-70050-C65-J1-Classic-Keyless/dp/B003V89WZ2> (Year: 2010).*

* cited by examiner

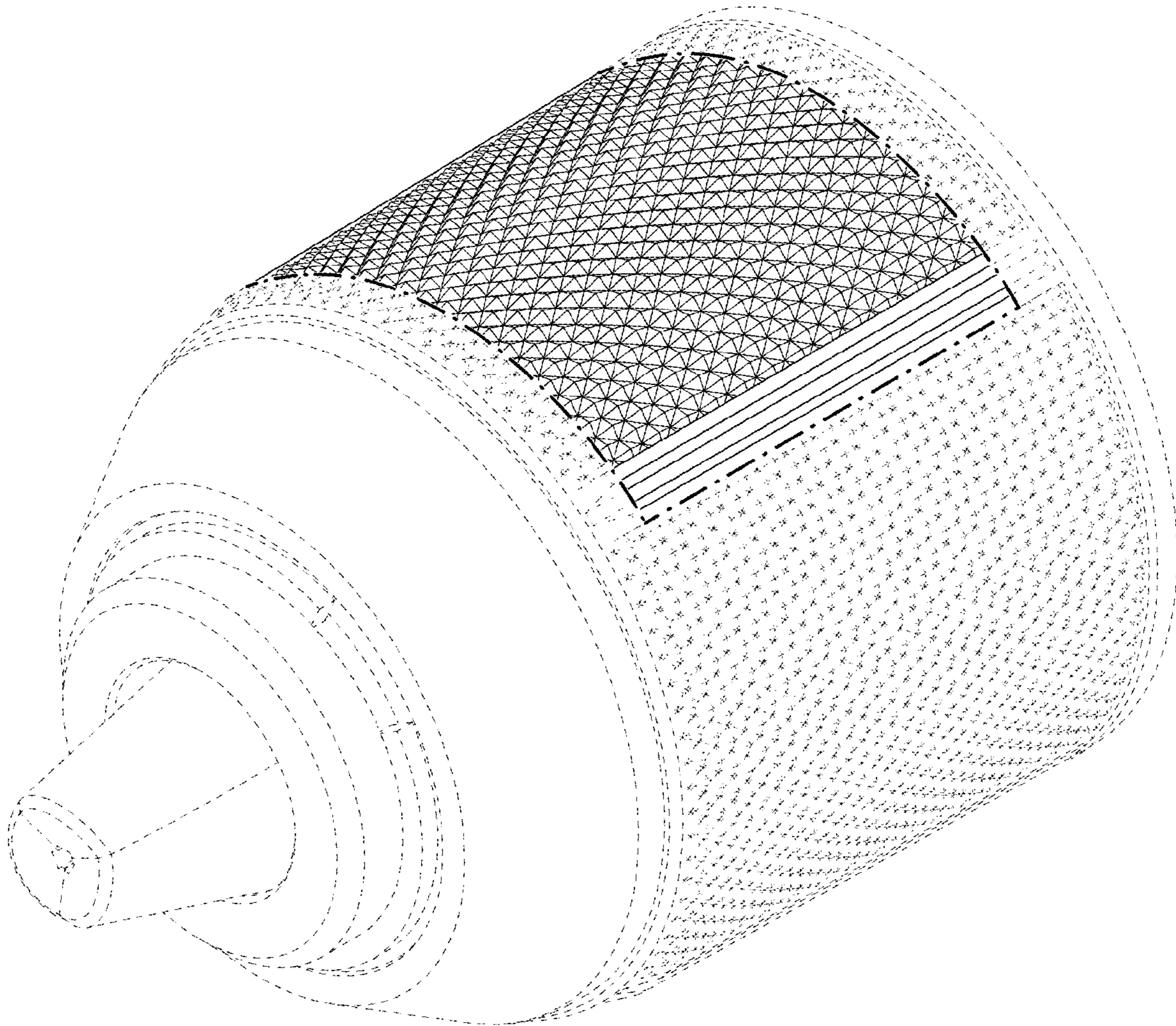


FIG. 1

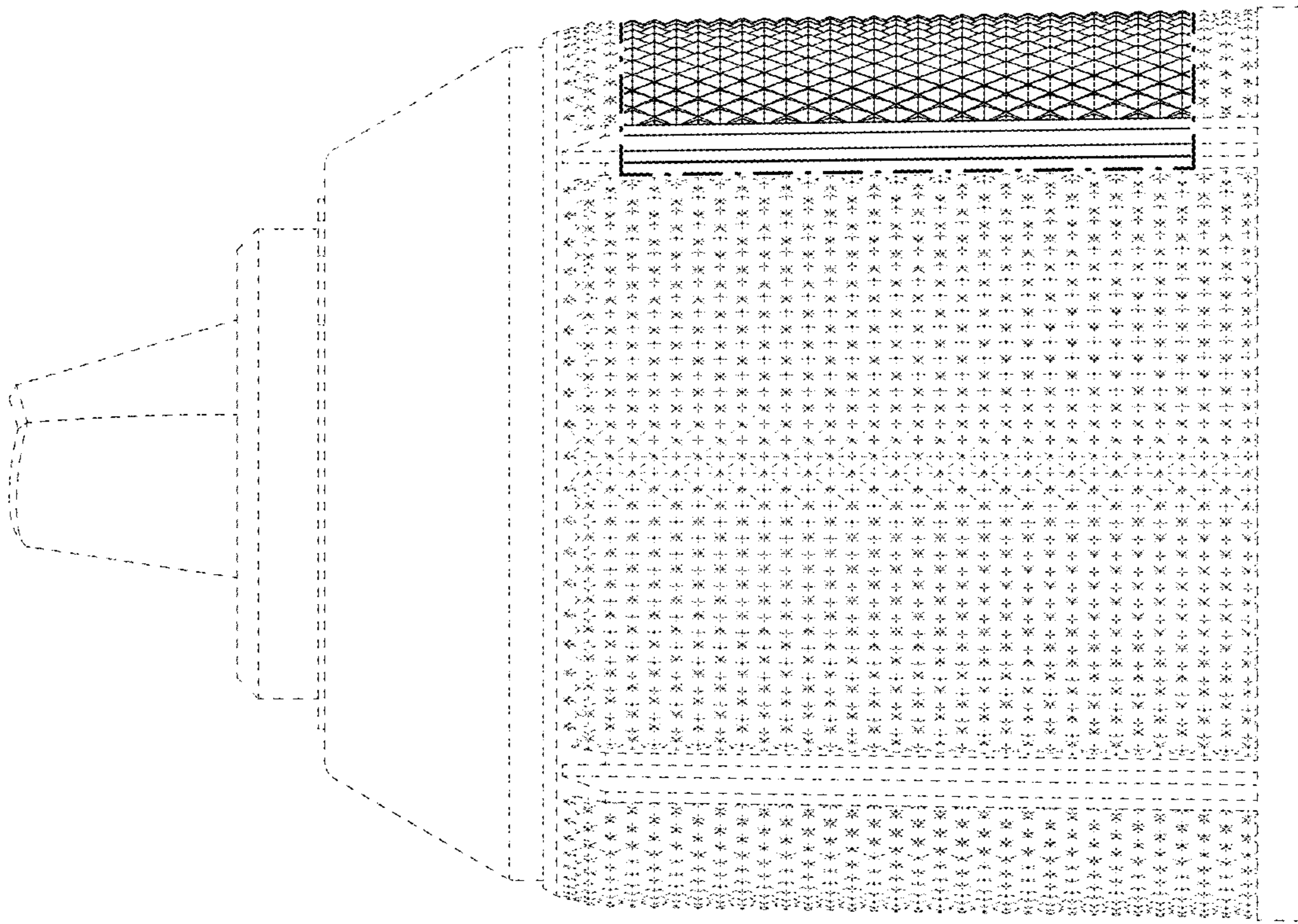


FIG. 2

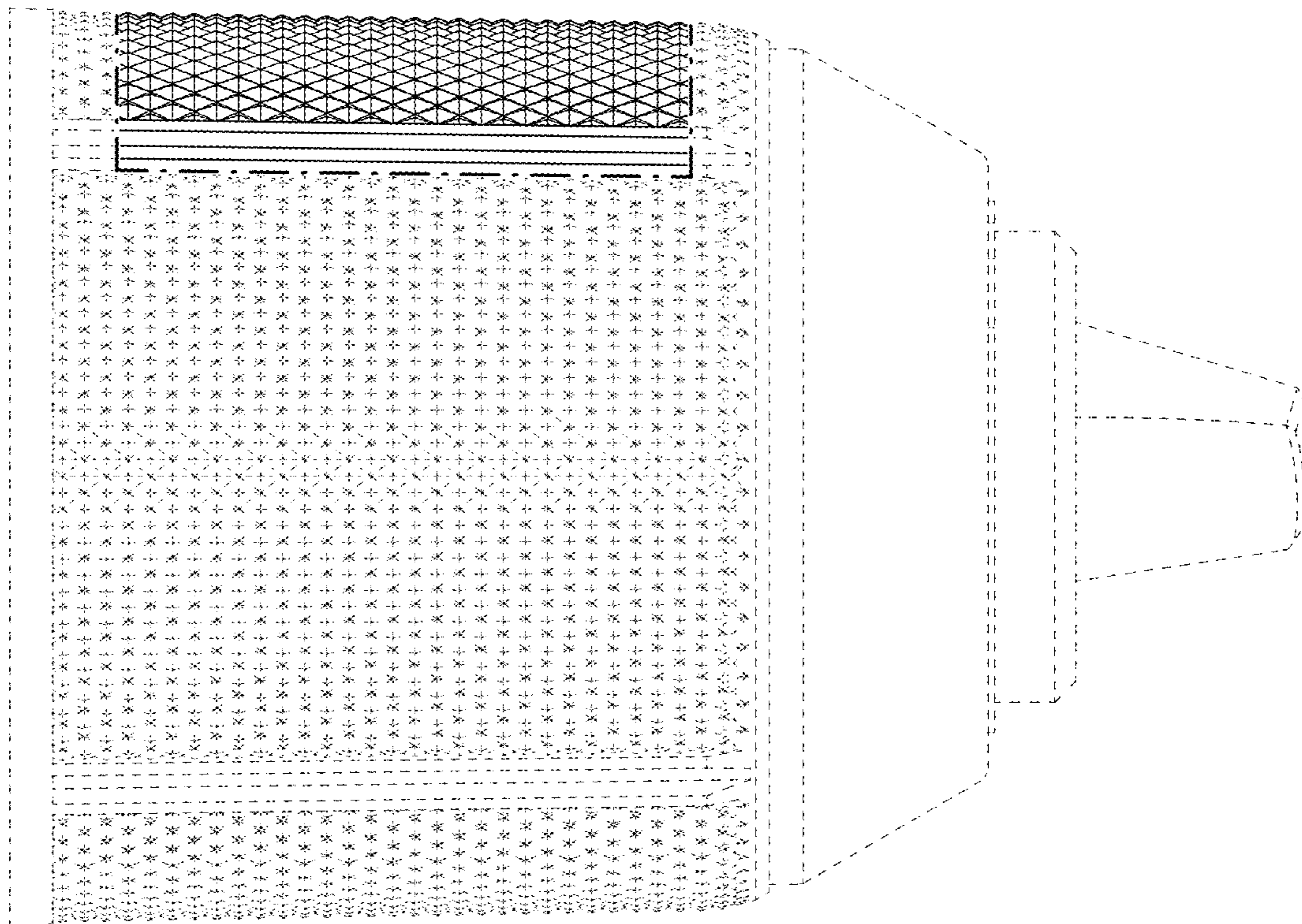


FIG. 3

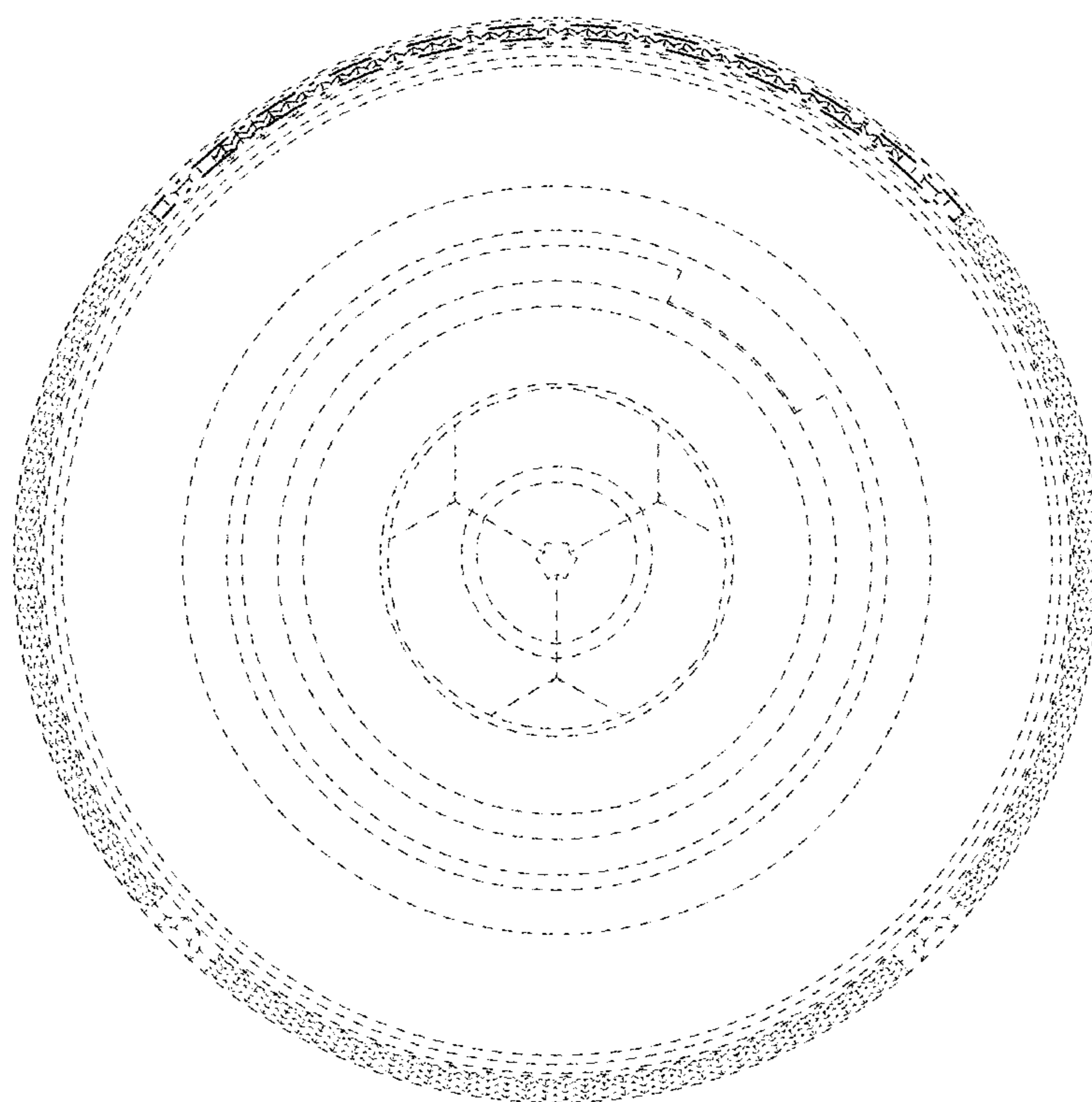


FIG. 4

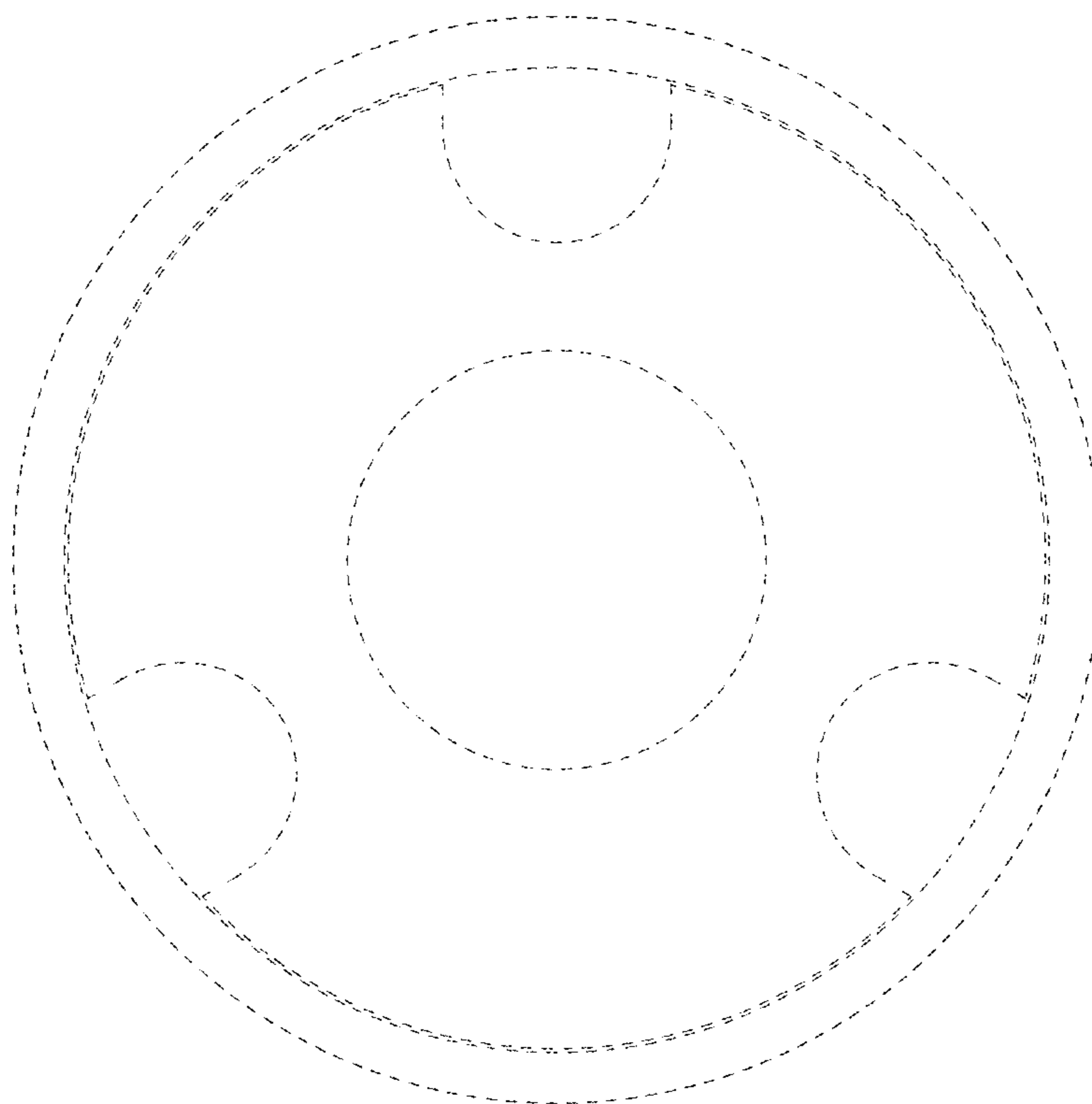


FIG. 5

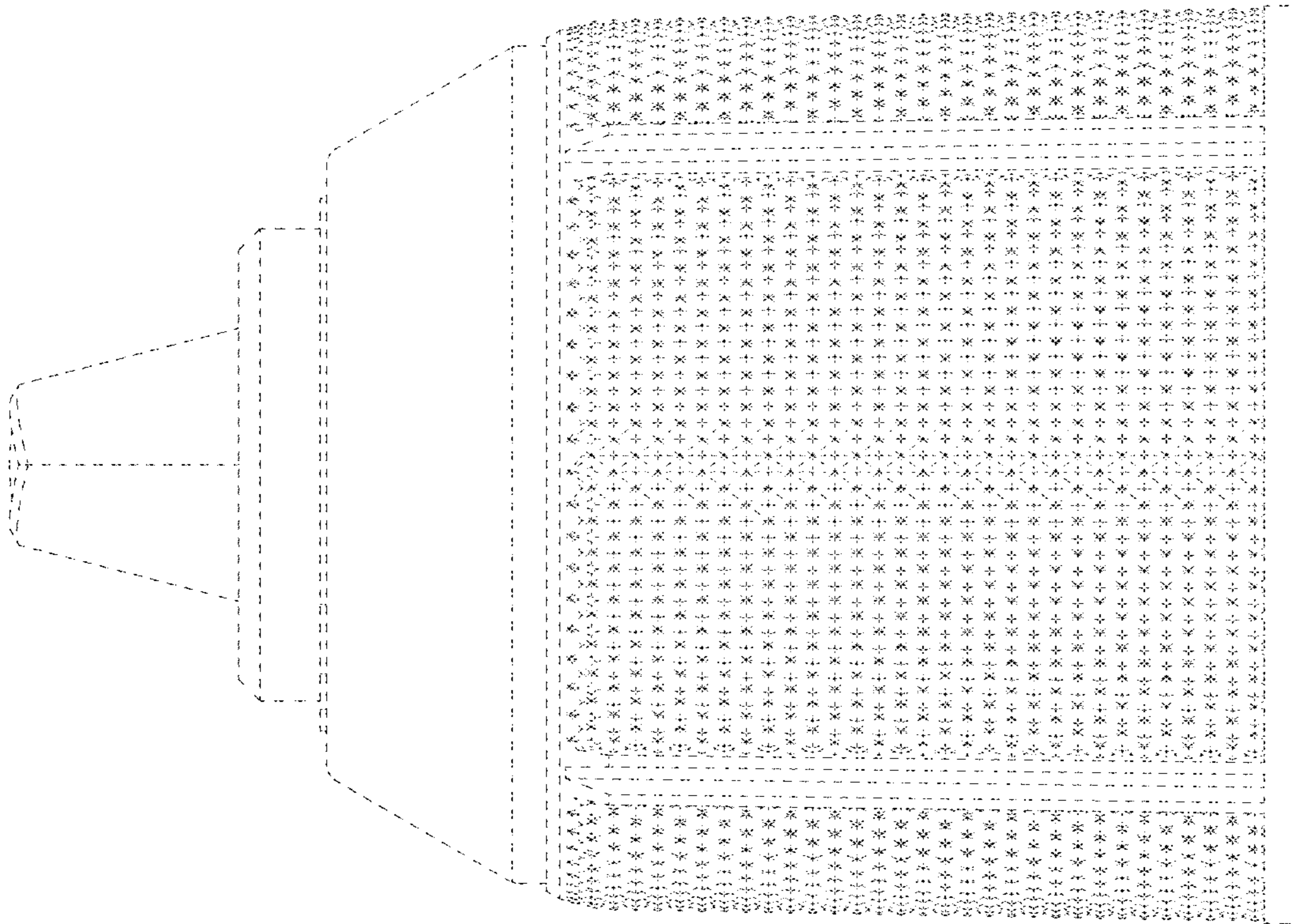


FIG. 6

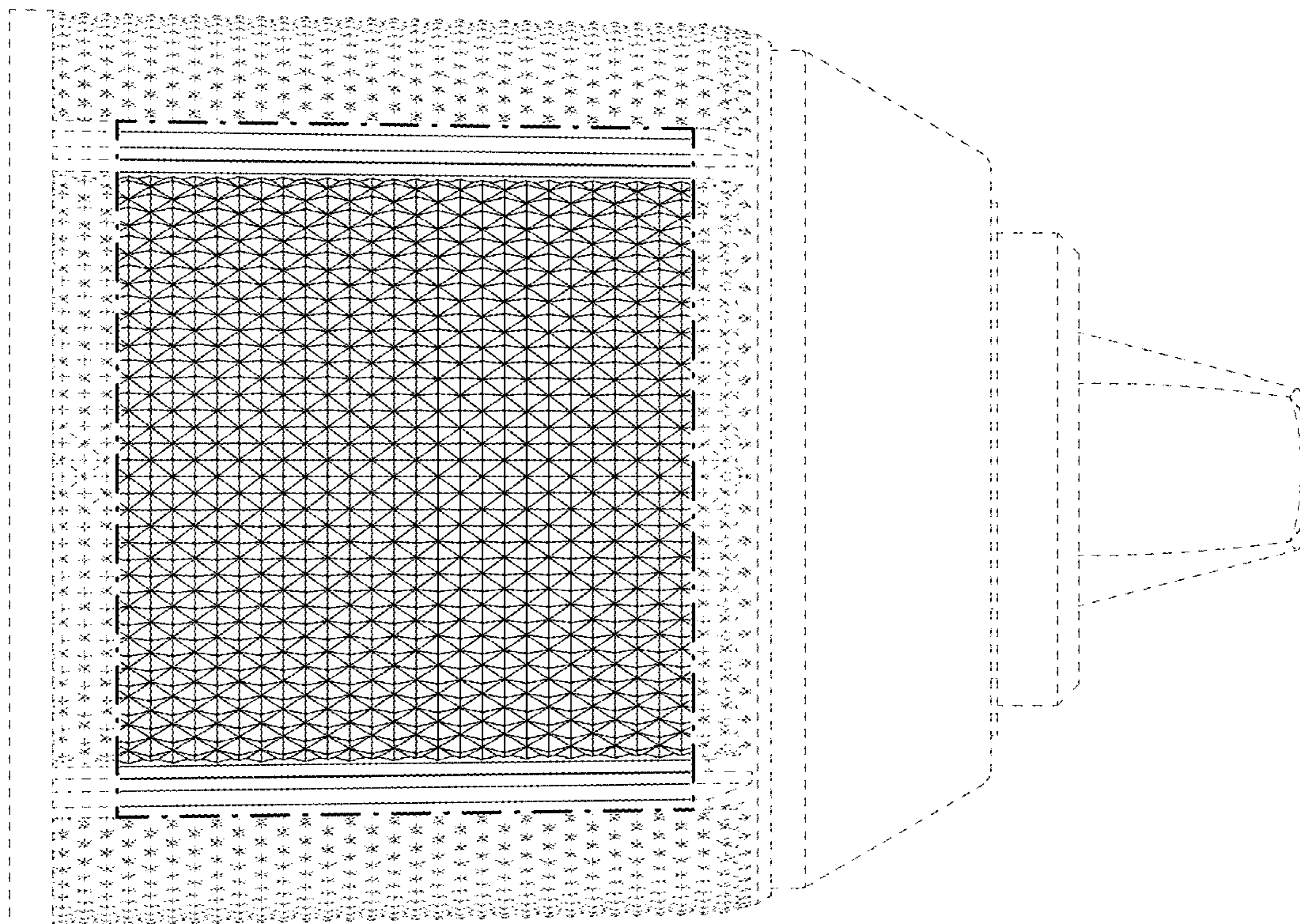


FIG. 7

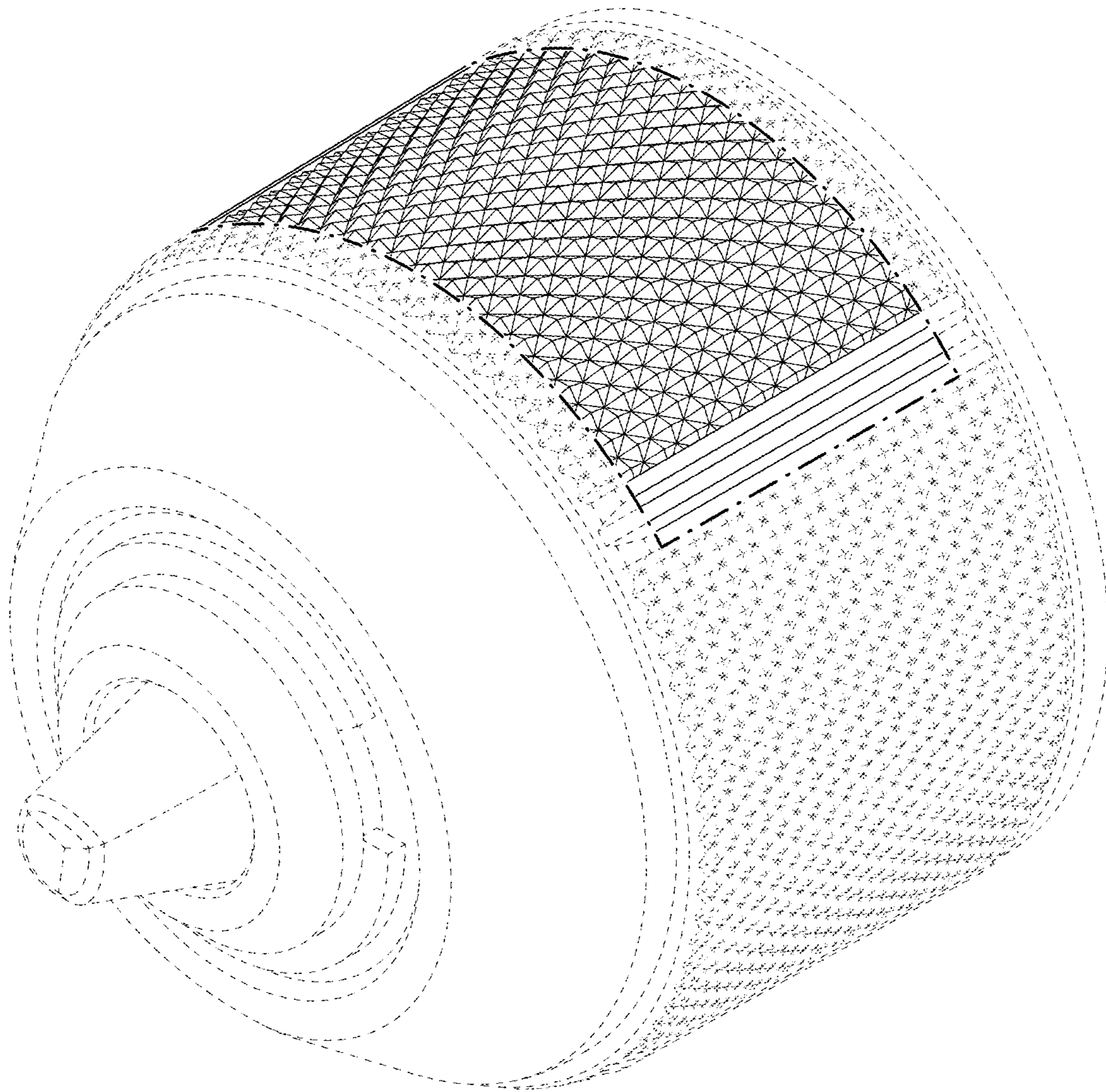


FIG. 8

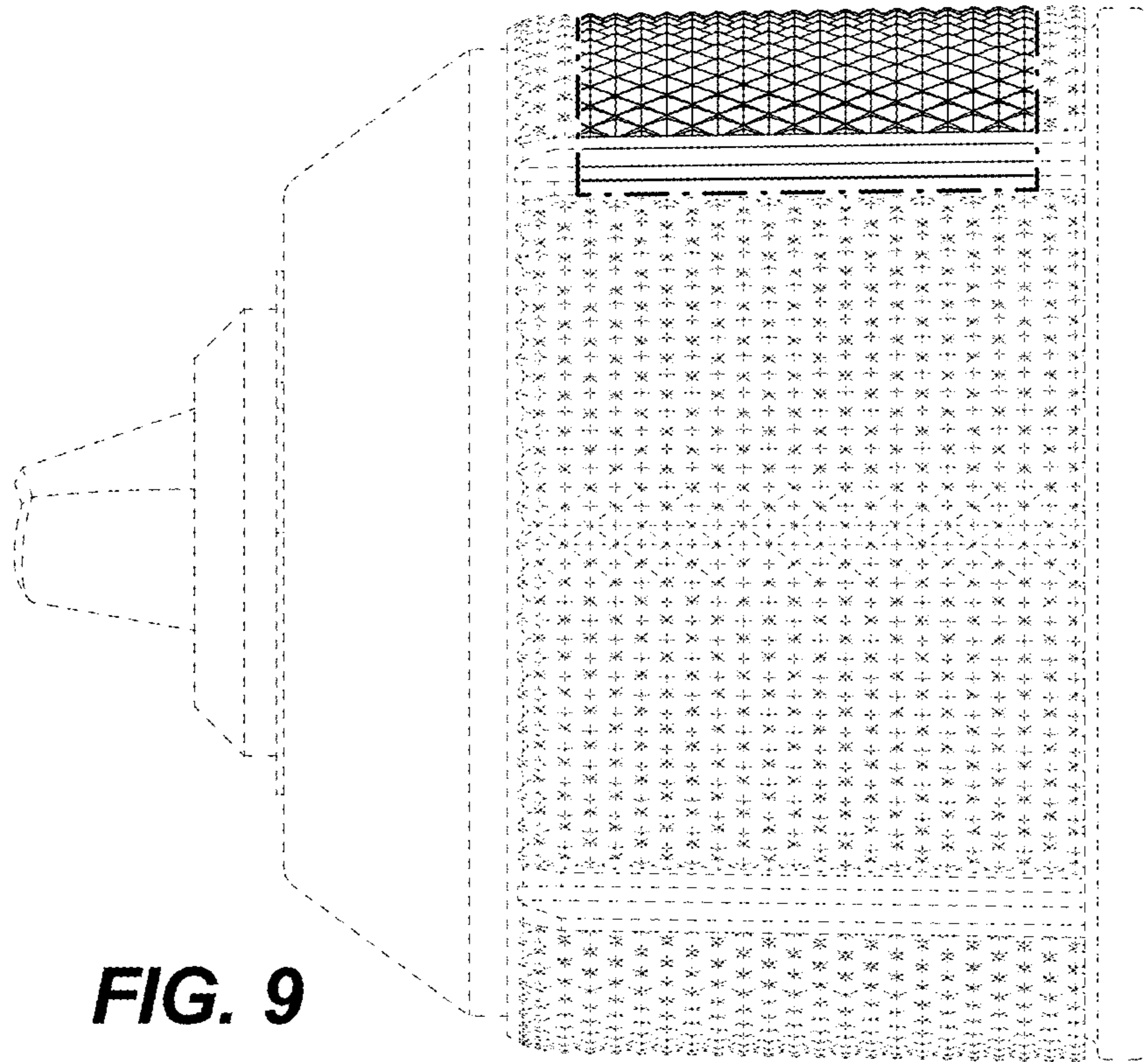


FIG. 9

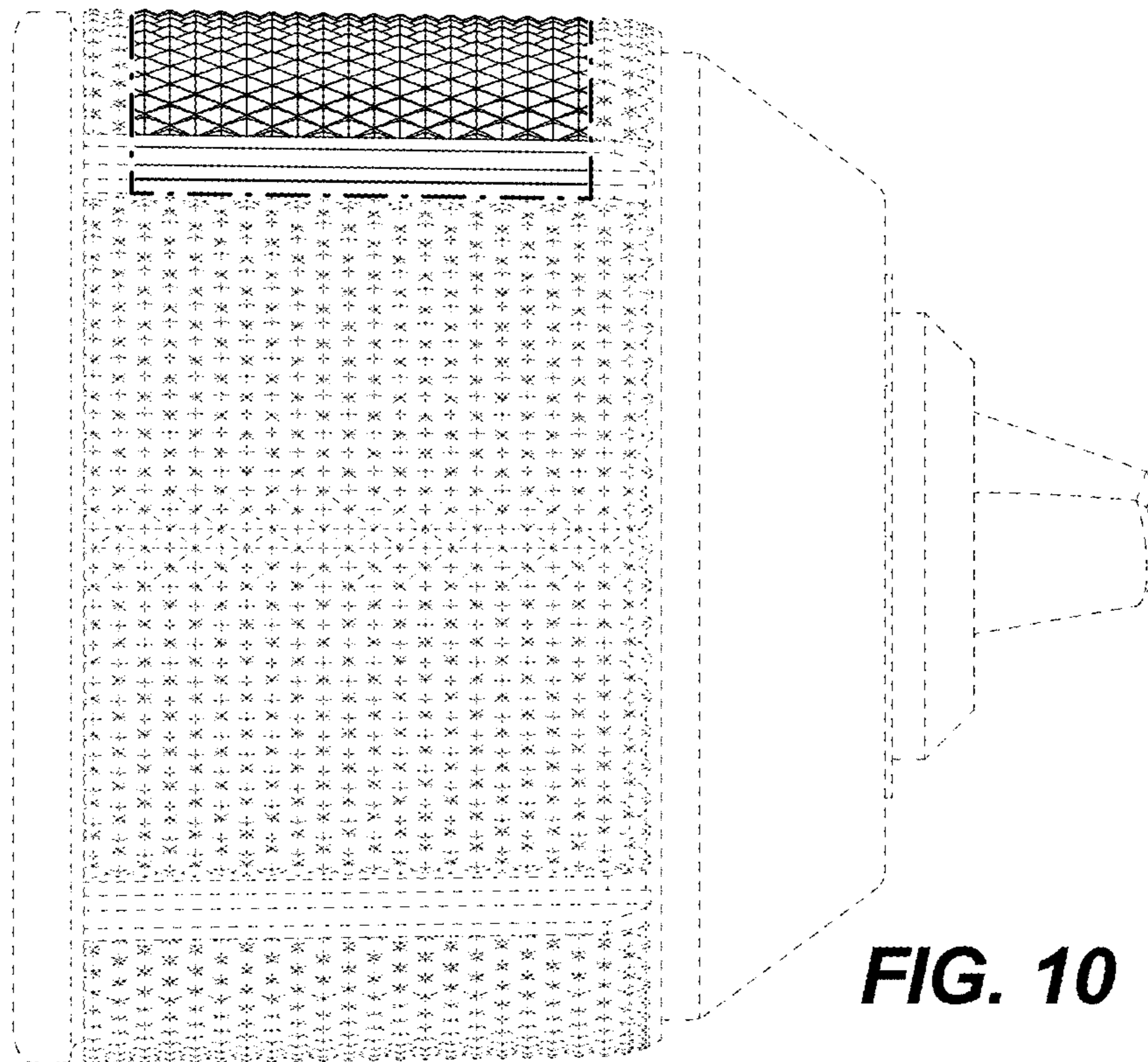


FIG. 10

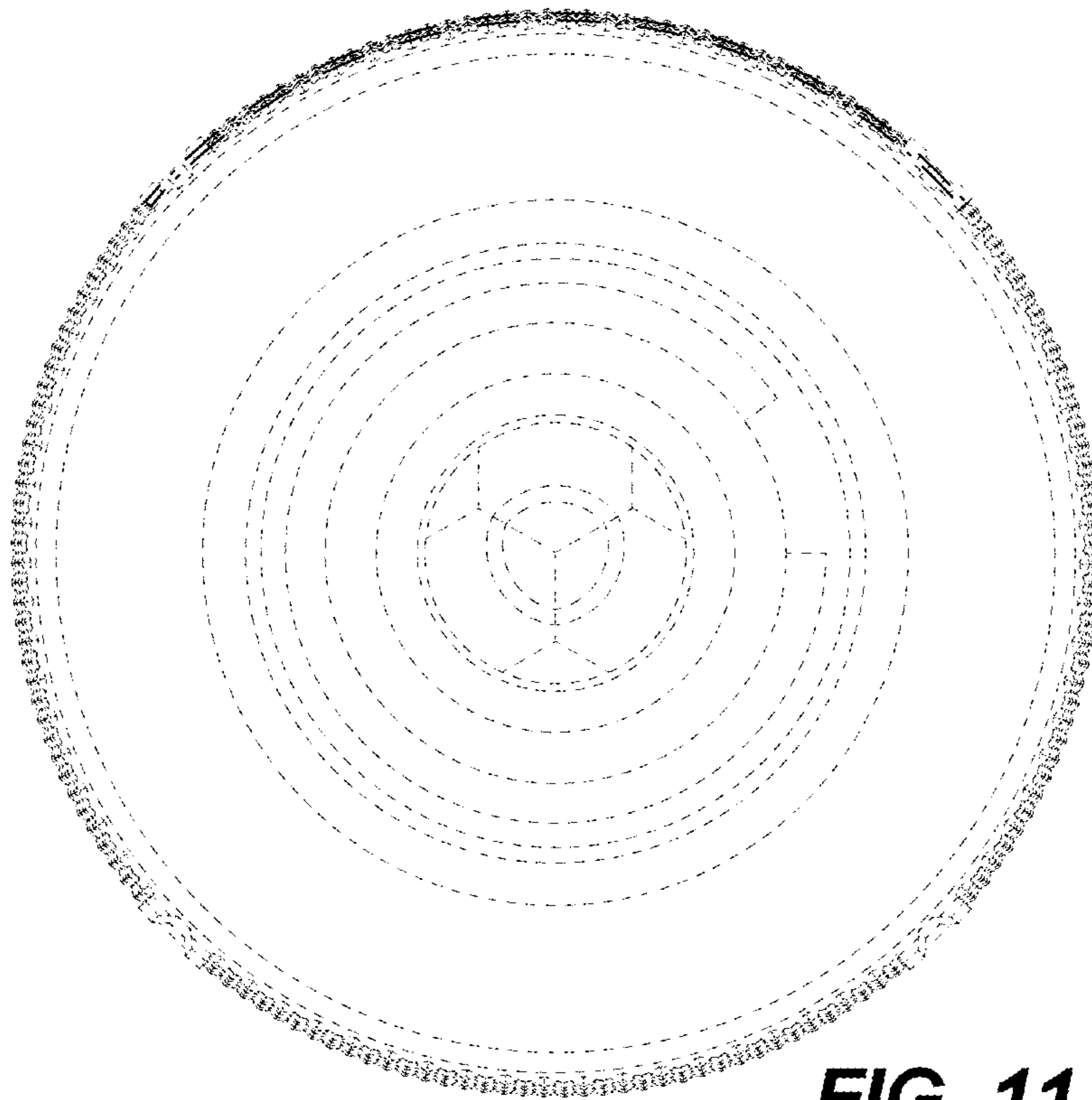


FIG. 11

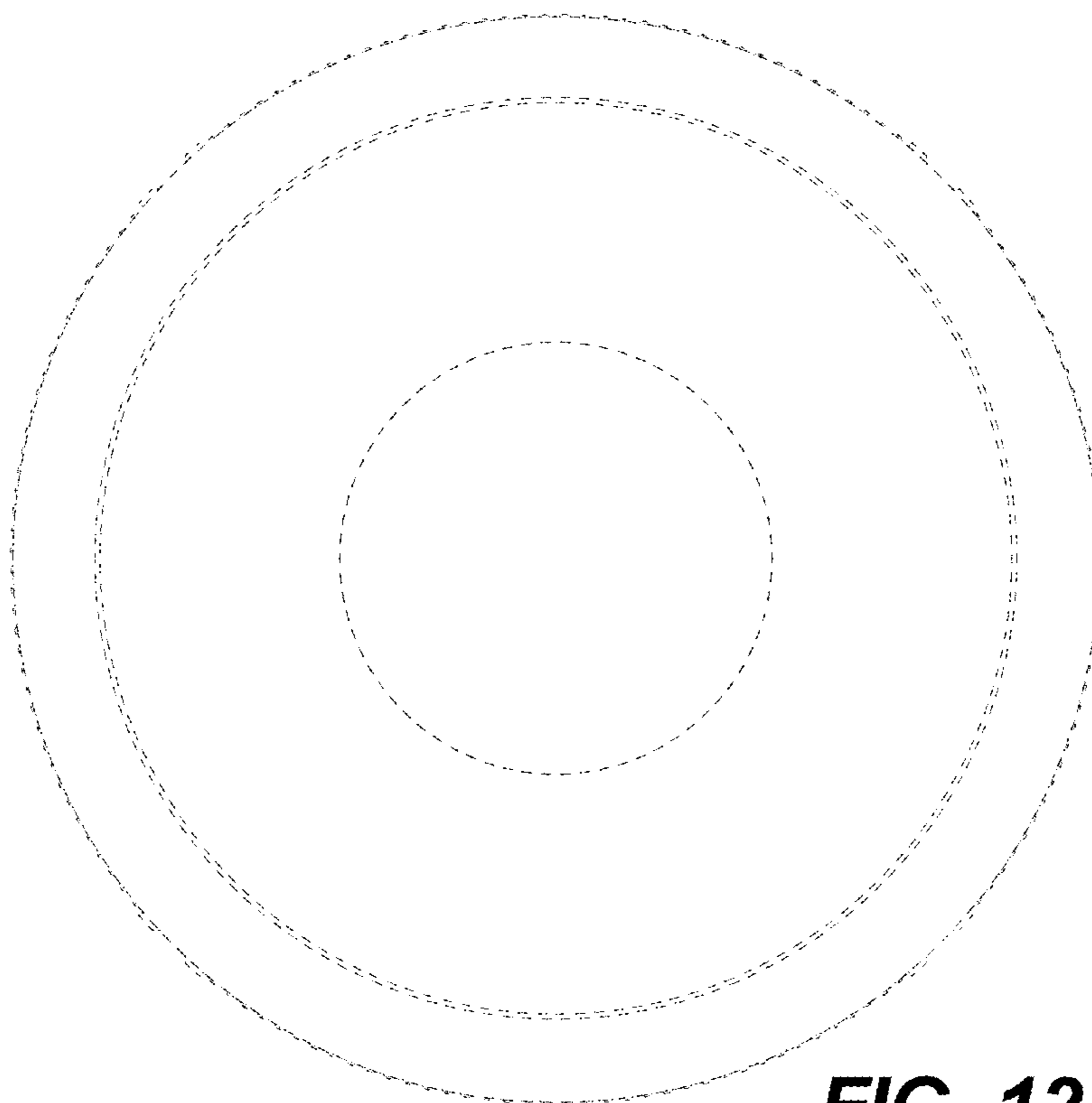


FIG. 12

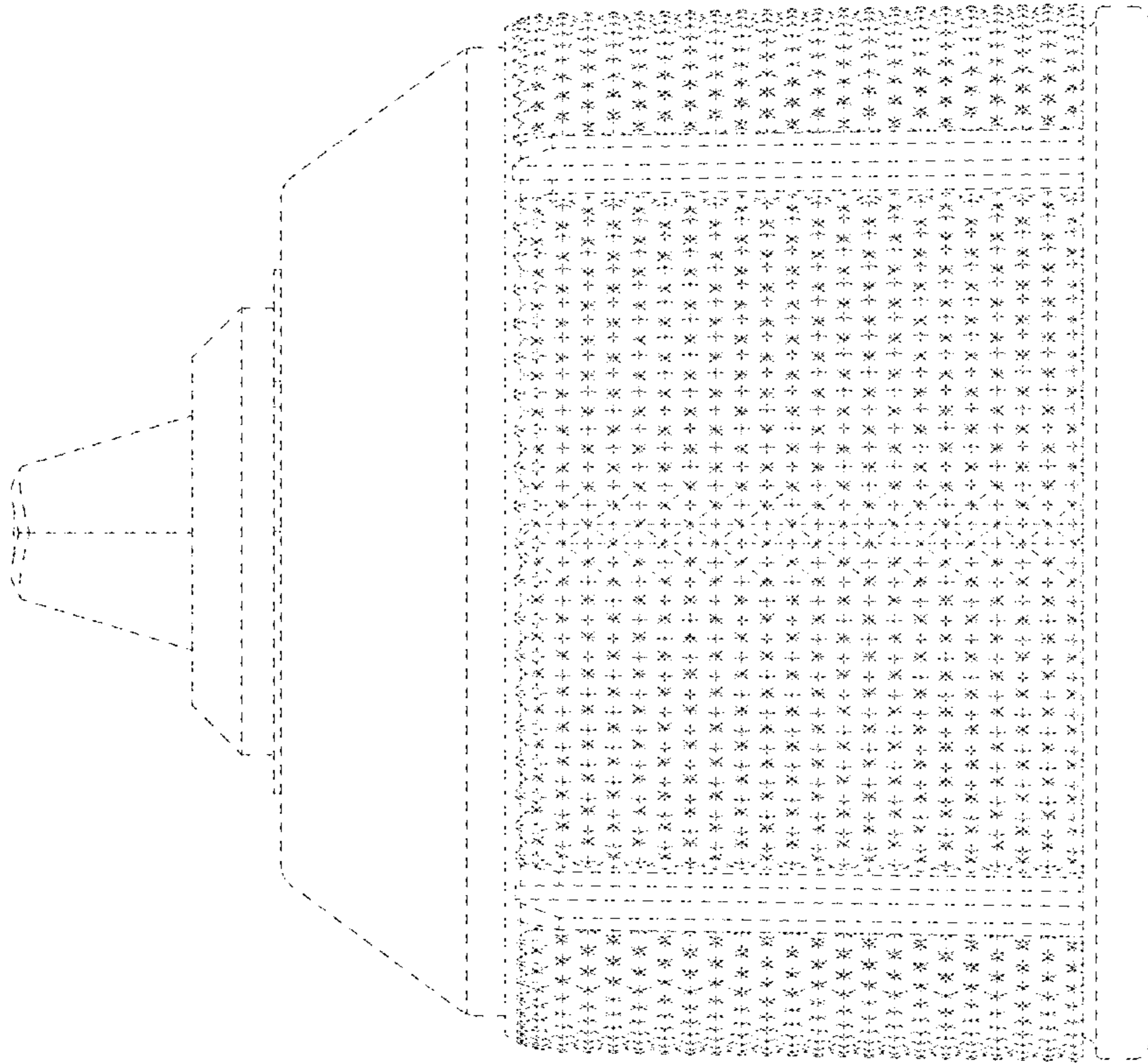


FIG. 13

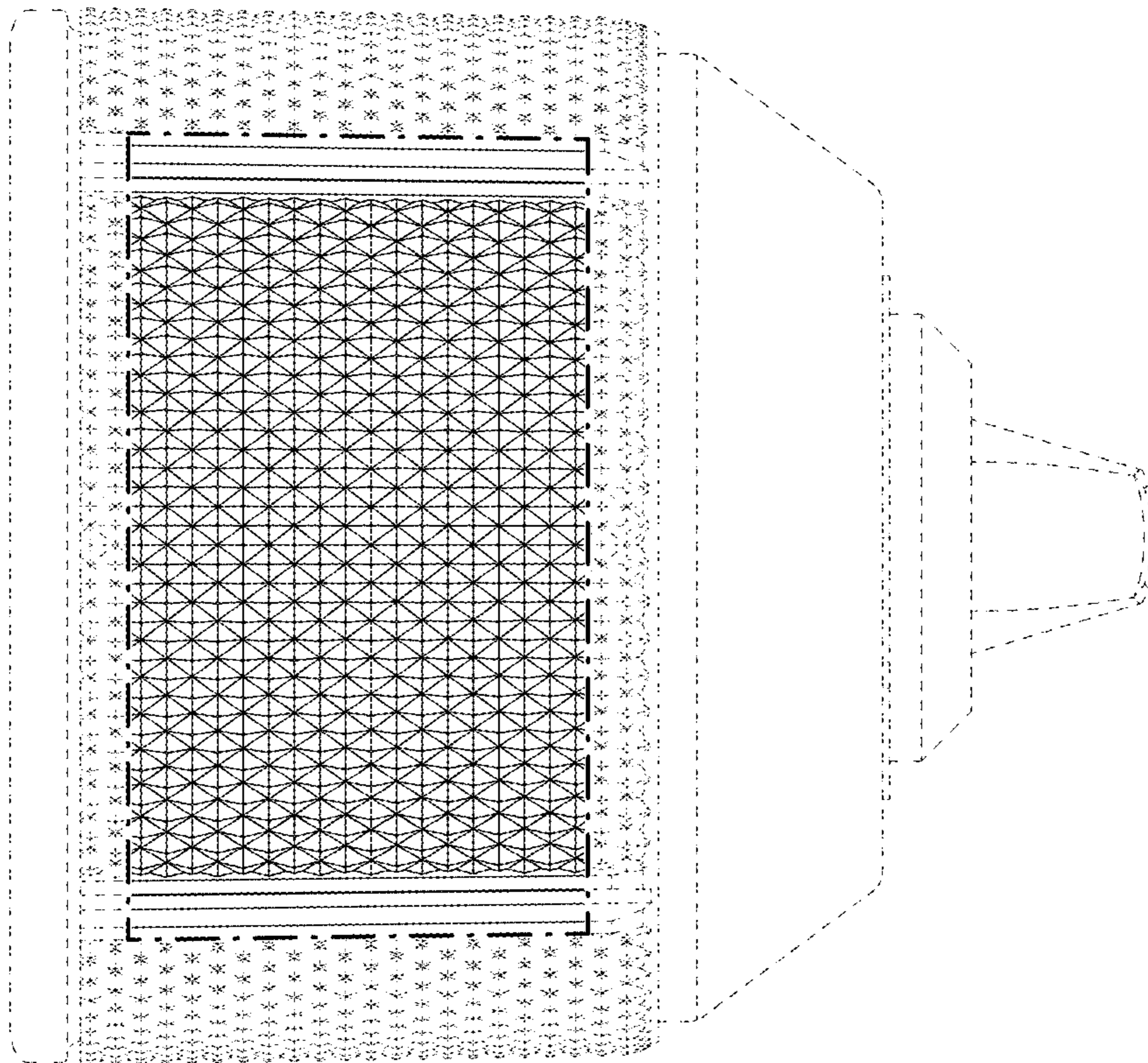


FIG. 14